

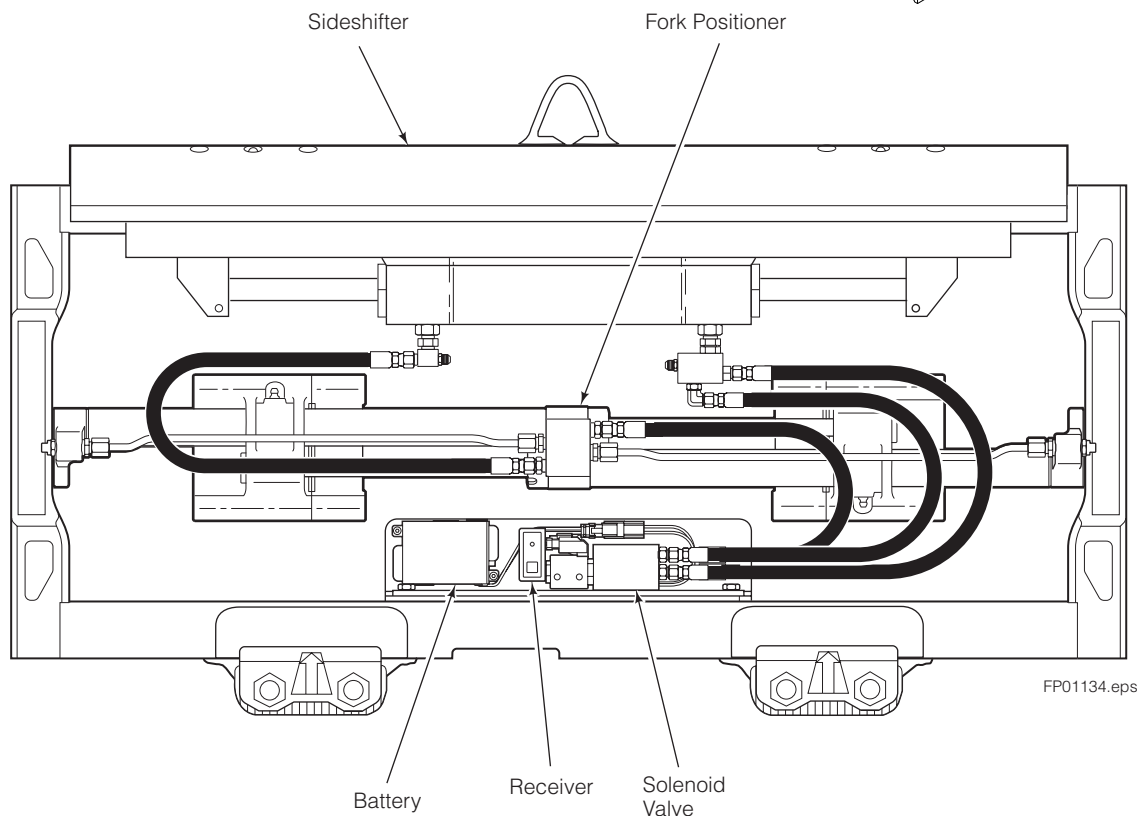
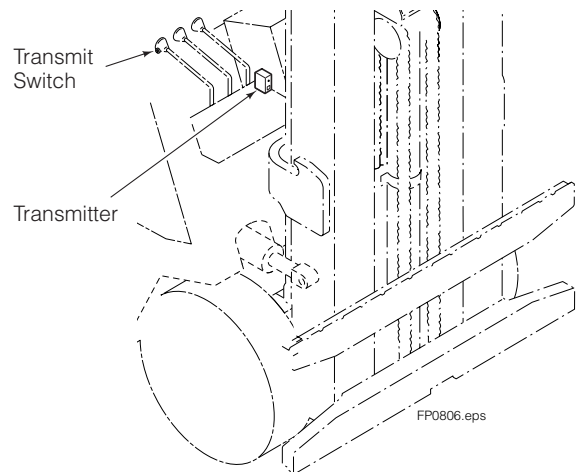


Installation Instructions

K-Series Fork Positioner Radio Frequency (RF) Hydraulic Control Kits Europe 6079511, 6079531, 6079539

This sheet provides installation instructions and replacement parts list for Cascade Hydraulic Control Kits 6079511, 6079531 and 6079539. The kit provides two function operation using a single function hydraulic supply and radio frequency (RF) solenoid actuation to select the sideshift or fork position functions. The attachment mounted solenoid is battery powered and driver activated by a remote transmitter mounted on the truck.

CAUTION: If the truck or attachment will be cleaned with a pressure washer, remove the battery and receiver from the attachment prior to cleaning. High pressure water can damage the battery and receiver.



cascade[®]
corporation

For Technical Support . . .

Call: 1-800-227-2233 Fax: 1-888-329-8207
Internet: www.cascorp.com
Write: Cascade Corporation, PO Box 20187, Portland, OR 97294

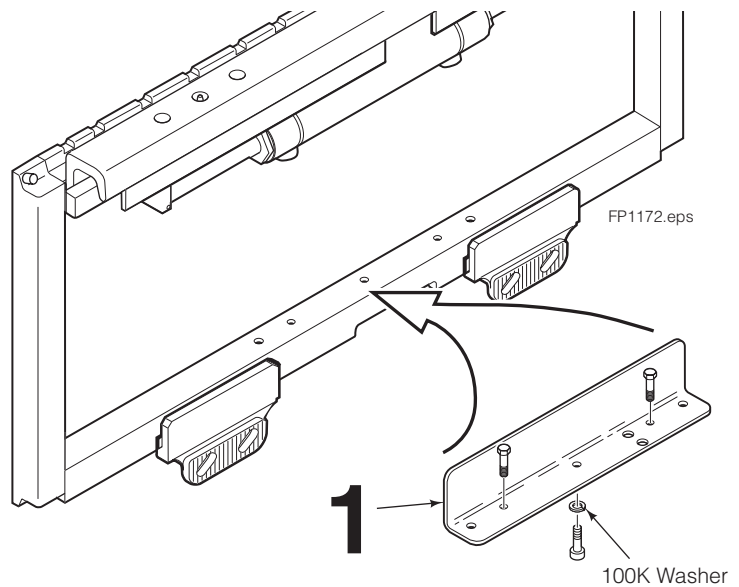
To Order Parts . . .

Call: 1-888-227-2233 Fax: 1-888-329-0234
Internet: www.cascorp.com
Write: Cascade Corporation, 2501 Sheridan Ave., Springfield, OH 45505

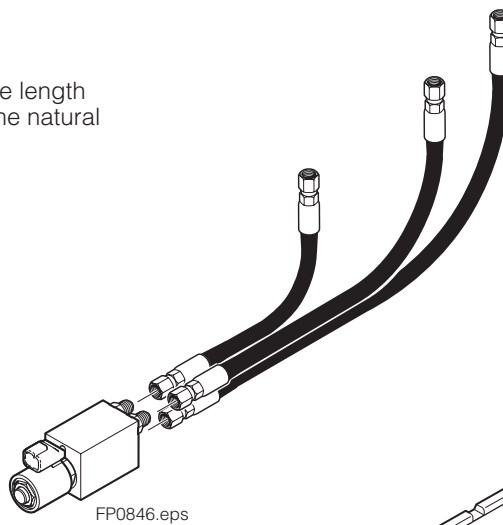
Component Installation

- 1 Mount the guard to the sideshifter lower carriage bar. Tighten capscrews to a torque of 25 ft.-lbs. (35 Nm).

NOTE: 100K attachments will have an additional washer with the bottom capscrew.



- 2 Install the hoses to the valve fittings with the hose length orientation shown. Tighten the hose ends with the natural bend of the hoses upward.

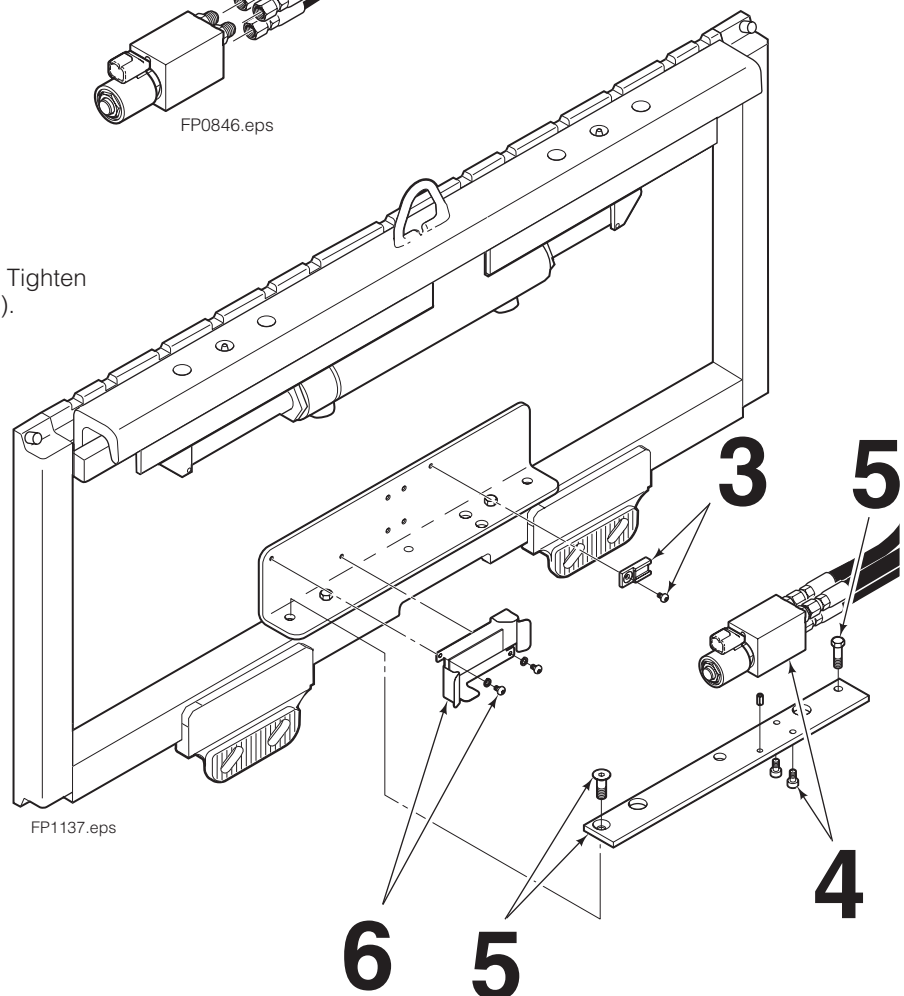


- 3 Mount the receiver clip to the guard.

- 4 Install the solenoid valve to the bracket. Tighten capscrews to a torque of 4 ft.-lbs. (5 Nm).

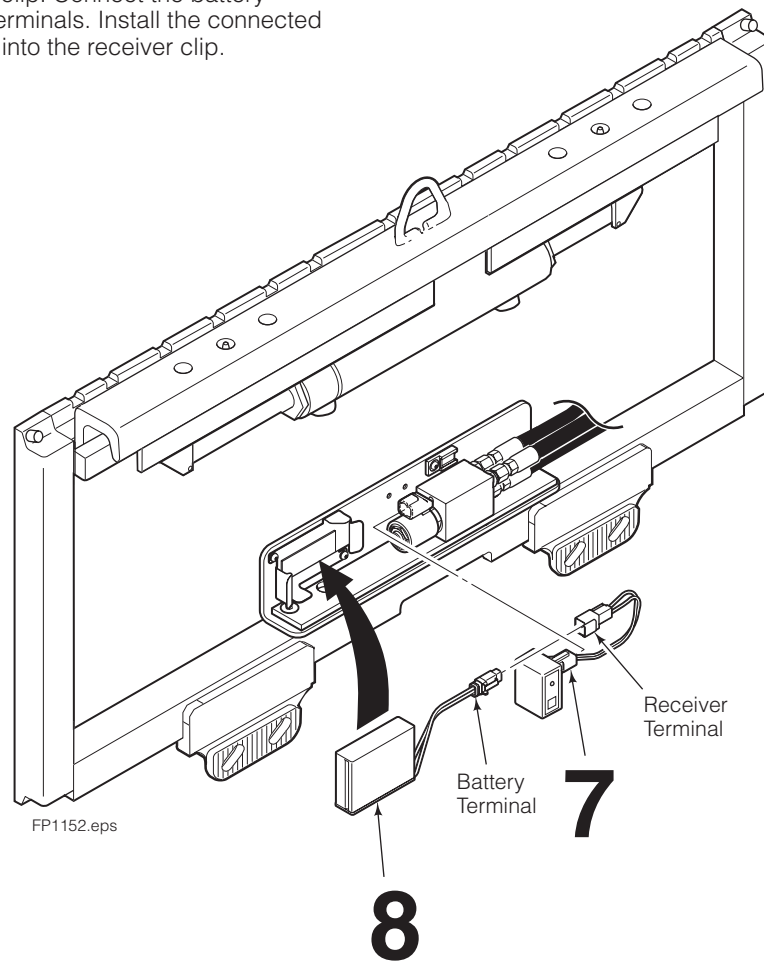
- 5 Mount the bracket to the guard. Tighten capscrews to a torque of 25 ft.-lbs. (35 Nm).

- 6 Mount the battery clip to the guard.

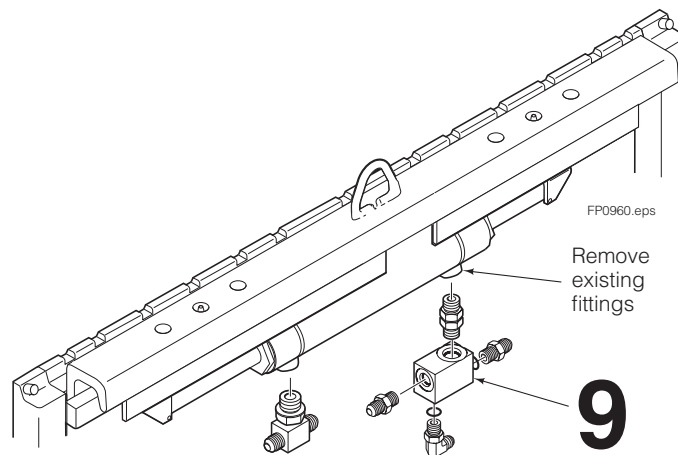


7 Connect the receiver to the solenoid coil terminals

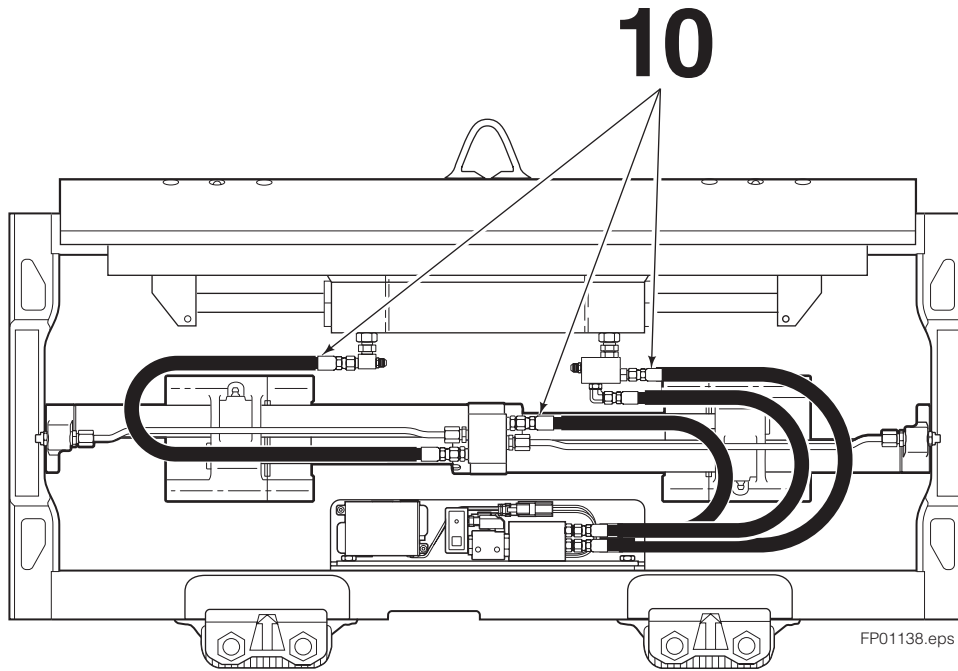
8 Install battery into battery clip. Connect the battery terminals to the receiver terminals. Install the connected battery/receiver terminals into the receiver clip.



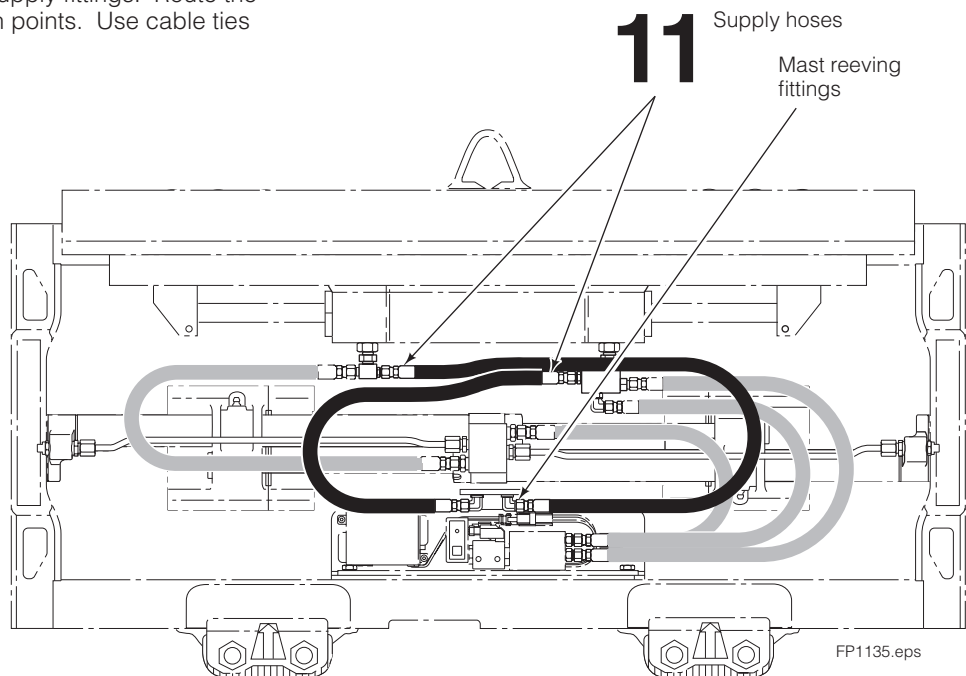
9 Remove any existing fittings from the sideshift cylinder ports. Install the new supply manifold and fittings to the sideshift cylinder ports. Do not remove flow restrictor washers from the cylinder ports.



- 10** Install the kit hoses. Route the hoses to prevent wear and pinch points.



- 11** Install two supply hoses from the mast internal reeving fittings to the sideshift cylinder supply fittings. Route the hoses to prevent wear and pinch points. Use cable ties as required.



Supply Hose Kits	Part No.
JIC Fittings	6055928
O-Ring Face Seal Fittings	6055932

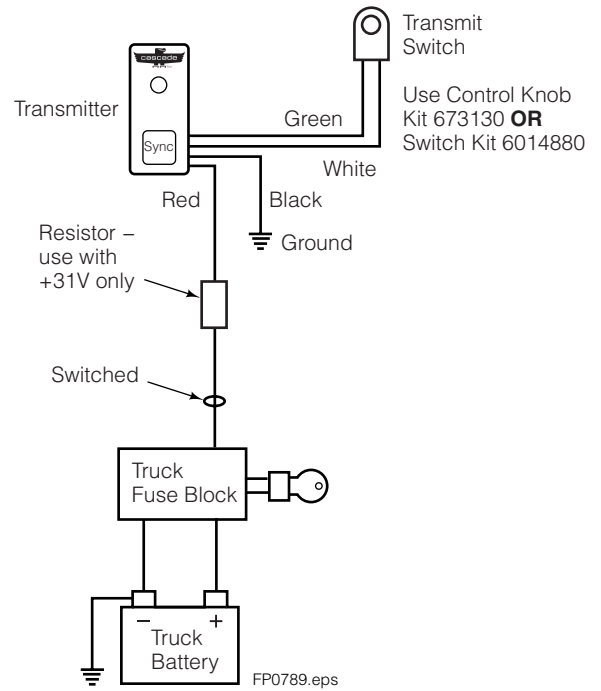
Transmitter Installation

1 Install the transmitter in an easy to view and accessible location for the driver. Provide at least 8 in. (20 cm) clearance between the driver and transmitter.

IMPORTANT: The transmitter must not be co-located or operating in conjunction with any other antenna or transmitter.

2 Connect the transmitter red wire to a switched terminal on the truck fuse block. Connect the black wire to chassis ground. Connect the two remaining wires to a control knob transmit switch. Use Cascade Control Knob Kit 673130 or Switch Kit 6014880.

IMPORTANT: The resistor connected to the red wire is for use on trucks operating at 31V and higher. Remove the resistor on trucks operating at 30V or less.



Synchronizing Transmitter and Receiver

The transmitter and receiver have been synchronized at the factory. If resynchronizing is required, follow these steps:

1 Press and hold the SYNC button on the transmitter for 3 seconds. The LED will begin to flash red and green.



WARNING: Do not reach through the mast to access the receiver SYNC button. Access the SYNC button from the front of the attachment.

2 Within 15 seconds, press and hold the SYNC button on the receiver for 3 seconds. When the units are synchronized to each other, the flashing red and green LED will stop and the receiver will respond to the transmitter when the transmit switch is pressed.

Operation

Transmitter – When the transmit switch is pressed, the LED on the transmitter will blink green every 1/2 second if there is communication between the transmitter and receiver. The solenoid coil clicks when the valve internal spool shifts.

The transmitter will blink green once a second if there is no communication with the receiver.

The transmitter LED will blink red once a second for a truck battery low condition.

After 1 hour of inactivity, the receiving unit goes into a sleep mode to conserve power. Press and hold the transmit switch button for 3 seconds to wake the unit for operation.

Receiver – The receiver will blink every 1/2 second when it is receiving a signal from the transmitter. The color of the blink changes with battery use.

The receiver LED blinks green when the battery is operating.

The receiver LED blinks amber for a short period when the battery is running low and needs to be charged.

The receiver LED blinks red for a short period when the battery needs to be charged and will not operate the fork positioner.

The transmitter and receiver operate in the frequency range of 868 Mhz @ 0.004 watts output for Europe.

Battery

NOTE: Charge new batteries prior to use.

It is recommended to charge the battery after each shift to optimize the life of the battery. The light on the receiver indicates battery power level:

Green – Full usable power.

Amber – Low Power. Charge soon.

Red – No power. Recharge required.

None – No power. Recharge required.

Chargers available are listed.

Location	Battery Charger
	Part No.
UK	6079701
Europe	6079699

Hydraulic Control Kit

REF	QTY	55K PART NO.	65K PART NO.	100K PART NO.	DESCRIPTION
		6079511	6079531	6079539	RF Hydraulic Control Kit
1	1	767611	767611	768814	Capscrews, M10
2	1	-	-	787383	Washer, M10
3	1	6050405	6064656	6064656	Hose
4	1	6050725	6050052	6050052	Hose
5	1	6050052	6064656	6064656	Hose
6	1	6050405	6064643	6064643	Hose

COMMON COMPONENTS

REF	QTY	PART NO.	DESCRIPTION
7	1	6076117	Guard Plate
8	3	787373	Hex Capscrew, M8 x 25
9	1	6052236	Solenoid Valve
10	2	768785	Hex Capscrew, M6 x 10
11	2	665595	Decal
12	1	6076112	Mounting Bar
13	2	685899	Lockwasher, M4
14	3	6076098	Buttonhead Capscrew, M4 x 6
15	2	6075736	Battery
16	1	767440	Socket Head Capscrew, M8 x 25
17	1	6079186	Clip Assembly
18	1	6079201	Attachment Clip
19	1	6059917	Manifold ■
20	2	201671	Connector ■ ▲
21	1	617917	Fitting, 90 degree, No. 4 ■
22	5	617915	Fitting, No. 4 ■ ▲ ●
23	1	6059969	Manifold ▲
24	1	768991	Roll Pin, 5 x 10 mm ●
25	1	6008166	Solenoid Cartridge ●
26	1	6054451	Solenoid Coil ●
27	1	6052237	Valve Body ●
28	1	6126457	Solenoid Cartridge Service Kit
29	1	6080603	RF Transmission Kit

■ Included in Manifold Assembly 6060003.

▲ Included in Manifold Assembly 6060004.

● Included in Solenoid Valve Assembly 6052236.

Do you have questions you need answered right now? Call your nearest Cascade Service Department. Visit us online at www.cascorp.com

AMERICAS

Cascade Corporation Parts Sales

2501 Sheridan Ave.
Springfield, OH 45505
Tel: 888-CASCADE (227-2233)
Fax: 888-329-0234

Cascade Canada Inc.

5570 Timberlea Blvd.
Mississauga, Ontario
Canada L4W-4M6
Tel: 905-629-7777
Fax: 905-629-7785

Cascade do Brasil

Rua João Guerra, 134
Macuco, Santos - SP
Brasil 11015-130
Tel: 55-13-2105-8800
Fax: 55-13-2105-8899

EUROPE-AFRICA

Cascade Italia S.R.L. European Headquarters

Via Dell'Artigianato 1
37050 Vago di Lavagno (VR)
Italy
Tel: 39-045-8989111
Fax: 39-045-8989160

Cascade (Africa) Pty. Ltd.

PO Box 625, Isando 1600
60A Steel Road
Sparton, Kempton Park
South Africa
Tel: 27-11-975-9240
Fax: 27-11-394-1147

ASIA-PACIFIC

Cascade Japan Ltd.

2-23, 2-Chome,
Kukuchi Nishimachi
Amagasaki, Hyogo
Japan, 661-0978
Tel: 81-6-6420-9771
Fax: 81-6-6420-9777

Cascade Korea

121B 9L Namdong Ind.
Complex, 691-8 Gojan-Dong
Namdong-Ku
Inchon, Korea
Tel: +82-32-821-2051
Fax: +82-32-821-2055

Cascade-Xiamen

No. 668 Yangguang Rd.
Xinyang Industrial Zone
Haicang, Xiamen City
Fujian Province
P.R. China 361026
Tel: 86-592-651-2500
Fax: 86-592-651-2571

Cascade India Material Handling Private Limited

No 34, Global Trade Centre
1/1 Rambaugh Colony
Lal Bahadur Shastri Road,
Navi Peth, Pune 411 030
(Maharashtra) India
Phone: +91 020 2432 5490
Fax: +91 020 2433 0881

Cascade Australia Pty. Ltd.

1445 Ipswich Road
Rocklea, QLD 4107
Australia
Tel: 1-800-227-223
Fax: +61 7 3373-7333

Cascade New Zealand

15 Ra Ora Drive
East Tamaki, Auckland
New Zealand
Tel: +64-9-273-9136
Fax: +64-9-273-9137

Sunstream Industries Pte. Ltd.

18 Tuas South Street 5
Singapore 637796
Tel: +65-6795-7555
Fax: +65-6863-1368

