



# Parts Manual

---

Model Fork Positioner

Serial Number 100C-FPS-201

---

**cascade**<sup>®</sup>  
**corporation**

**For Technical Assistance call:** 800-227-2233, Fax: 888-329-8207

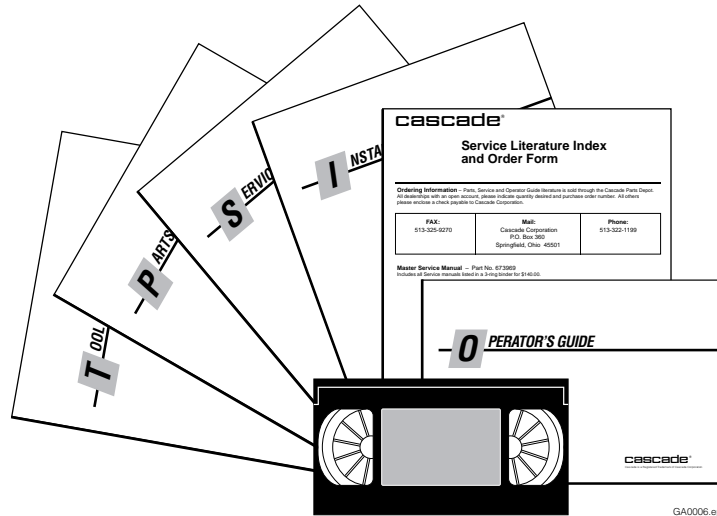
**To Order Parts call:** 888-227-2233, Fax: 888-329-0234

**OR**

**Write:** Cascade Corporation, P.O. Box 20187, Portland, OR 97220

**Internet:** [www.cascorp.com](http://www.cascorp.com)

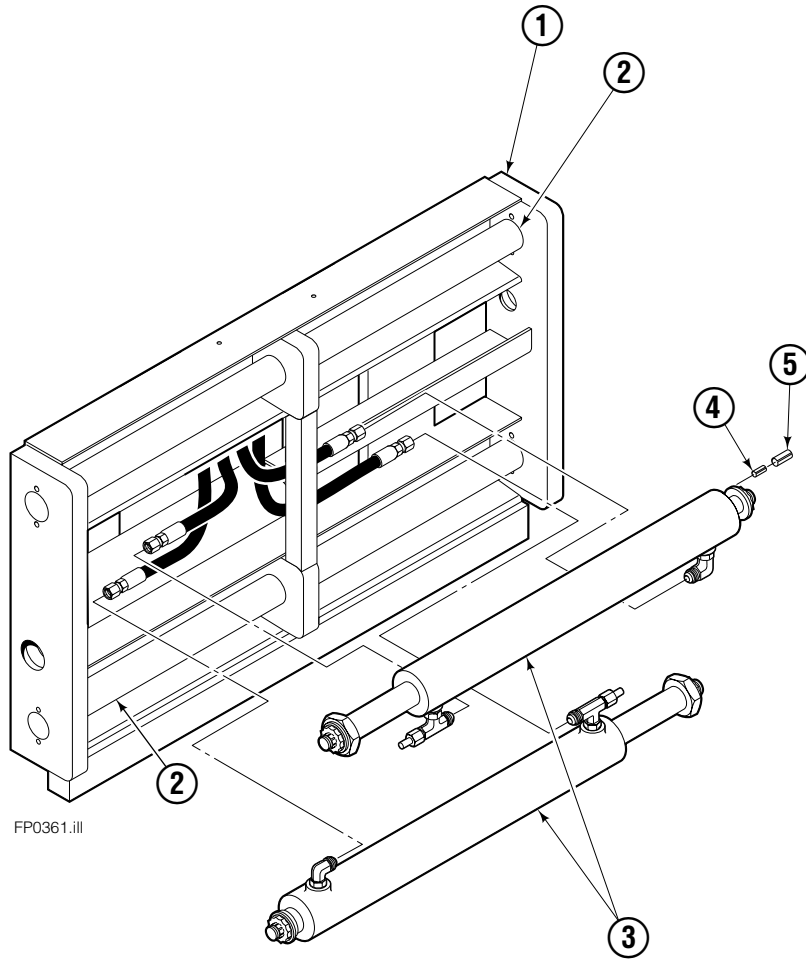
# Publications



GA0006.eps

100C Fork Positioner	
PART NO.	DESCRIPTION
	Parts Manual
	Service Manual
219989	Operator's Guide
219990	Installation Instructions
679929	Tool Catalog
673964	Literature Index Order Form

# Frame Group



100C			
REF	QTY	PART NO.	DESCRIPTION
		6104615	Frame Group
1	1	6004614	Frame Weldment, 52-in., SS
2	2	829205	Shaft
3	2	6104620	Cylinder ■
4	2	7882	Roll Pin (small)
5	2	7961	Roll Pin (large)

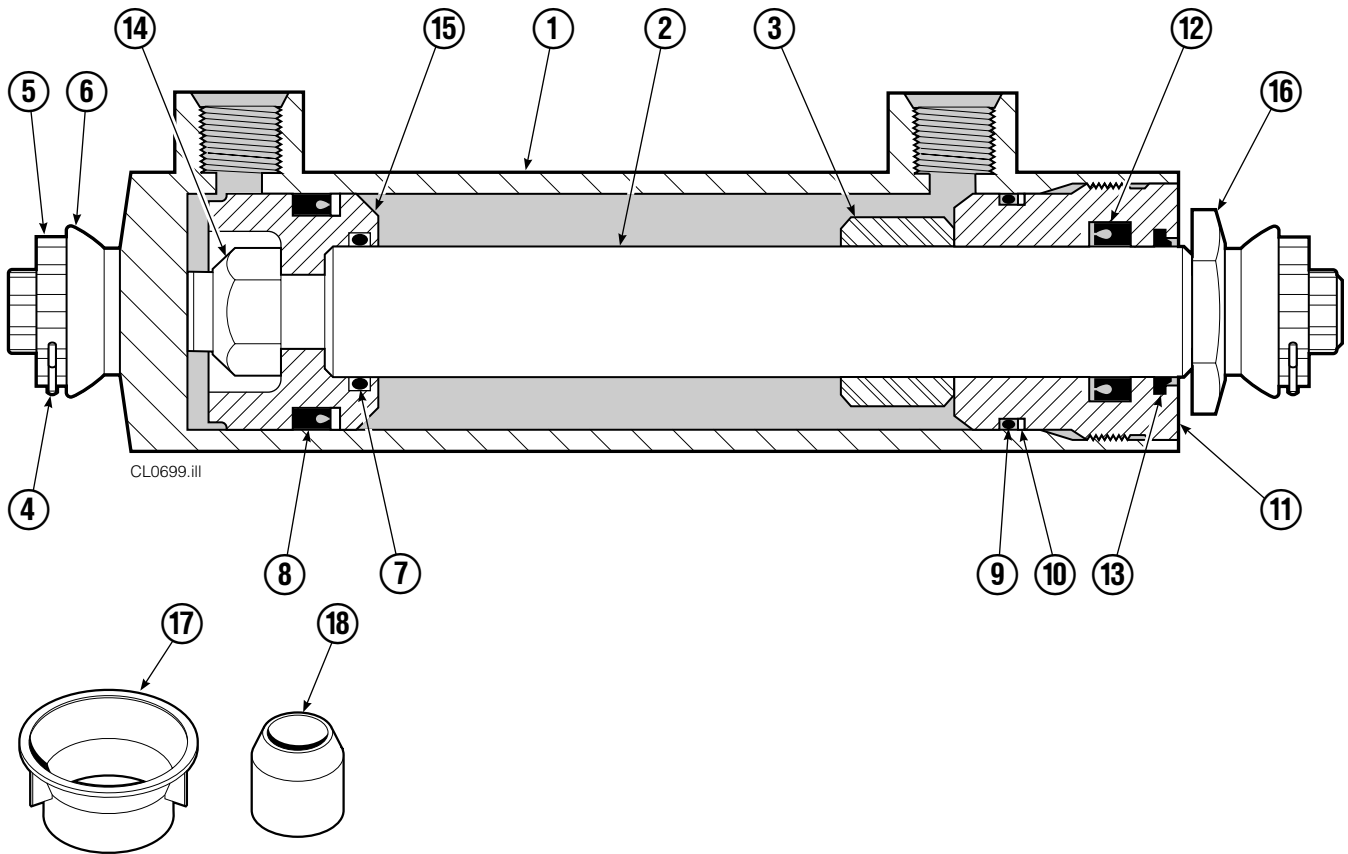
■ See Fork Position Cylinder page for parts breakdown.

Reference: Valve Group 381520

Hose Group 384622

SS Common Parts 6101144

# Cylinder



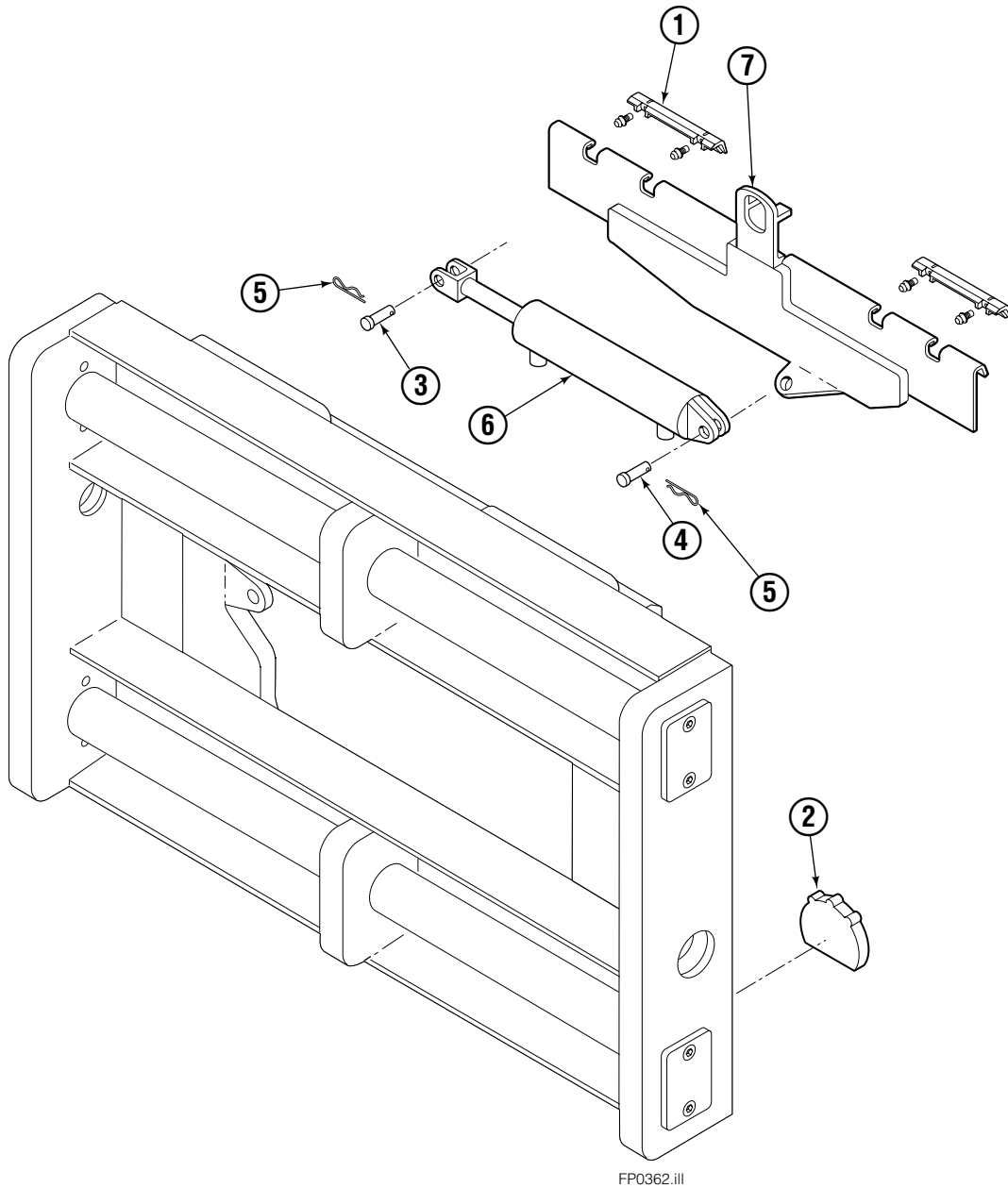
REF	QTY	PART NO.	DESCRIPTION
		6104620	Cylinder Assembly
1	1	564942	Rod
2	1	6104621	Shell
3	1	—	Spacer
4	2	6511	Cotter Pin ■
5	2	667667	Nut Retainer ■
6	2	667668	Nut ■
7	1	2722	O-Ring ✕
8	1	557376	Seal ✕
9	1	2791	O-Ring ✕
10	1	615134	Back-Up Ring ✕
11	1	667675	Retainer
12	1	662451	Seal ✕
13	1	564930	Wiper ✕
14	1	561012	Nut
15	1	558402	Piston
16	1	667676	Washer
17	1	671049	Seal Loader, Piston ✕
18	1	671052	Seal Loader, Retainer ✕
		667723	Service Kit

✕ Included in Service Kit 667723.

■ Included in Nut Service Kit 668925.

Reference: S-5564, S-5565.

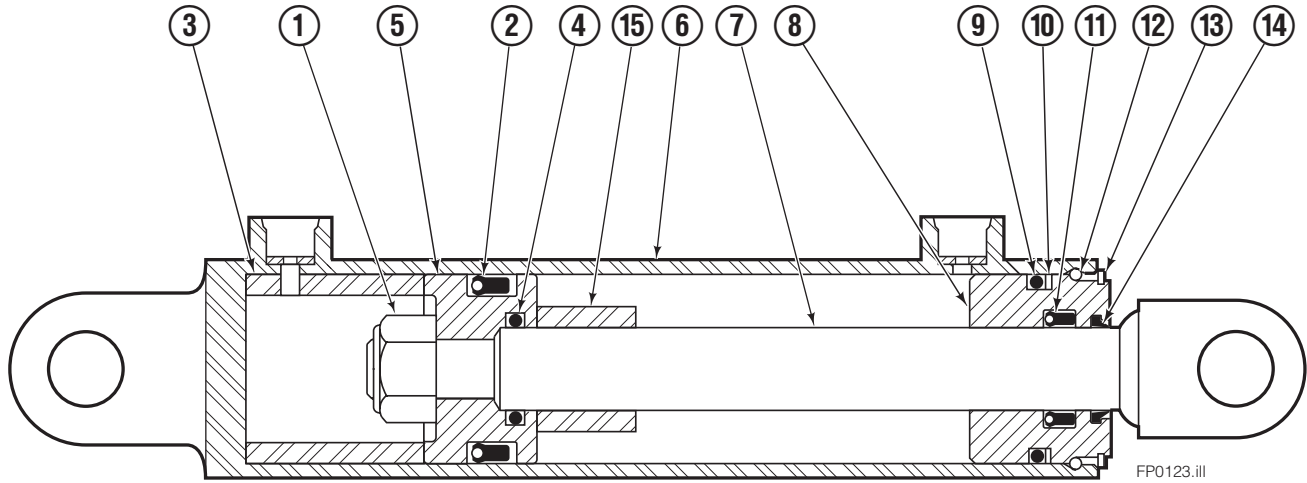
# Sideshifter Common Parts



100C			
REF	QTY	PART NO.	DESCRIPTION
		6101144	Sideshifter Common Parts
1	2	804065	Bearing, Upper
2	2	676650	Bearing, Lower
3	1	686214	Clevis Pin, 76 mm
4	1	686215	Clevis Pin
5	2	686217	Cotter Pin
6	1	686244	Cylinder ■
7	1	6012267	Anchor Bracket Weldment

■ See Sideshifter Cylinder page for parts breakdown.

# Sideshift Cylinder

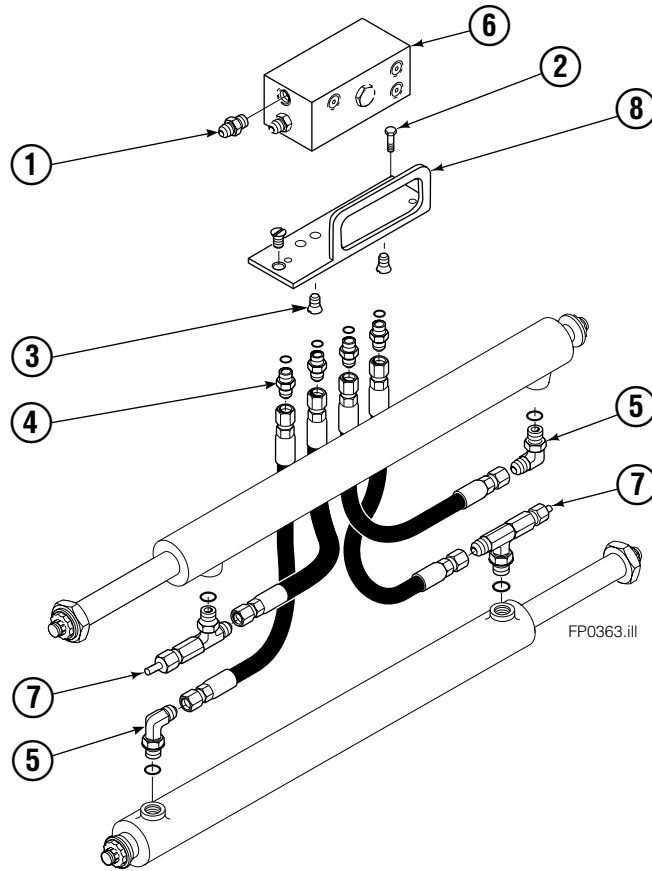


REF	QTY	PART NO.	DESCRIPTION
		686244	Cylinder Assembly
1	1	561012	Nut
■ 2	1	662457	Seal
3	1	564562	Spacer – Head
■ 4	1	2718	O-Ring
5	1	561427	Piston
6	1	561419	Shell
7	1	561422	Rod
8	1	561428	Retainer
■ 9	1	2791	O-Ring
■ 10	1	615134	Back-up Ring
■ 11	1	662449	Seal
12	1	561429	Retaining Ring
13	1	7215	Snap Ring
■ 14	1	626468	Wiper
15	1	561426	Spacer – Rod
		561430	Service Kit

■ Included in Service Kit 561430.

Ref: S-6053, S-6054

# Hydraulic Valve Group



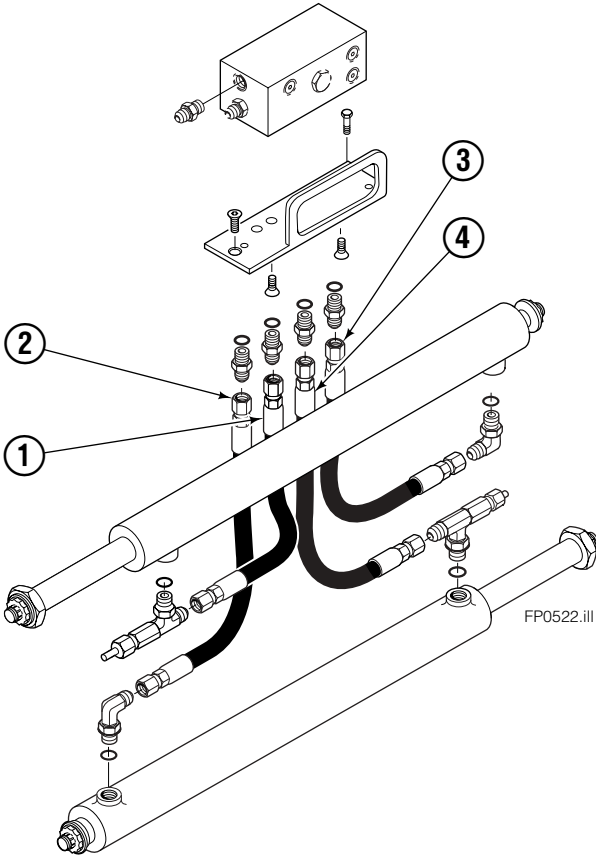
100C/120C			
REF	QTY	PART NO.	DESCRIPTION
		381520	Hydraulic Valve Group ●
1	1	601377	Fitting, 8-8
2	1	643524	Capscrew, .375x.750, GR8
3	3	4750	Capscrew, .375x.750
4	4	611288	Fitting, 6-8
5	2	601676	Fitting-90, 6-6
6	1	668861	Valve Assembly ▲
7	2	617487	Restrictor Fitting Tee ■
8	1	844137	Bracket

● See Hose Group page for parts breakdown.

▲ See Valve Assembly page for parts breakdown.

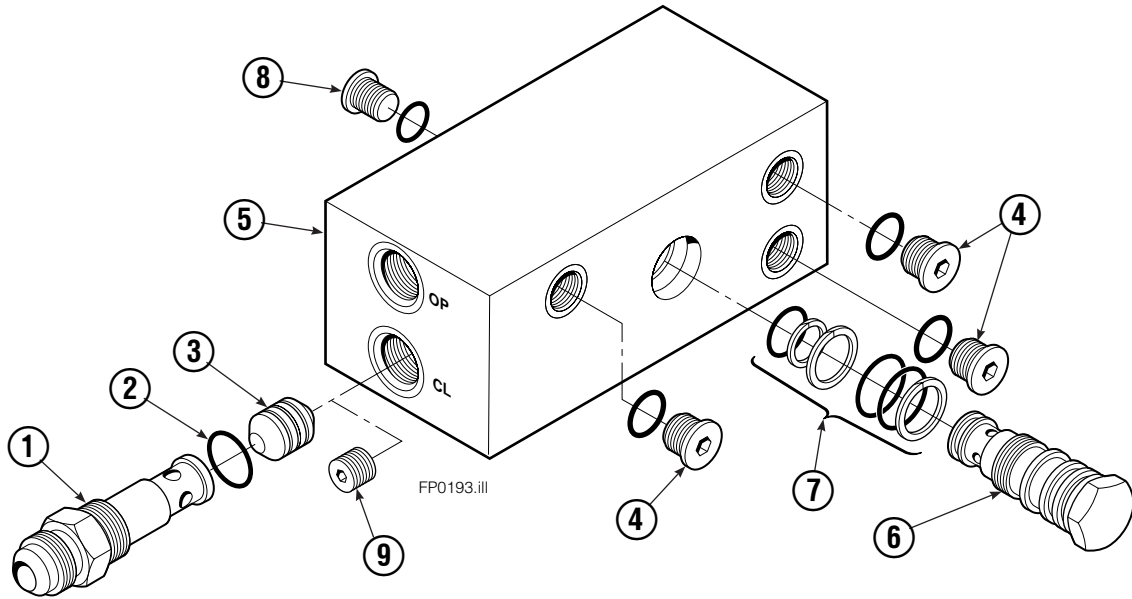
■ See Restrictor Fitting Tee page for parts breakdown.

# Hose Group



REF	QTY	PART NO.	DESCRIPTION
		384622	Hose Group
1	1	675954	Hose, 28.0 in.
2	1	382784	Hose, 54.5 in.
3	1	681231	Hose, 53.0 in.
4	1	681231	Hose, 53.0 in.

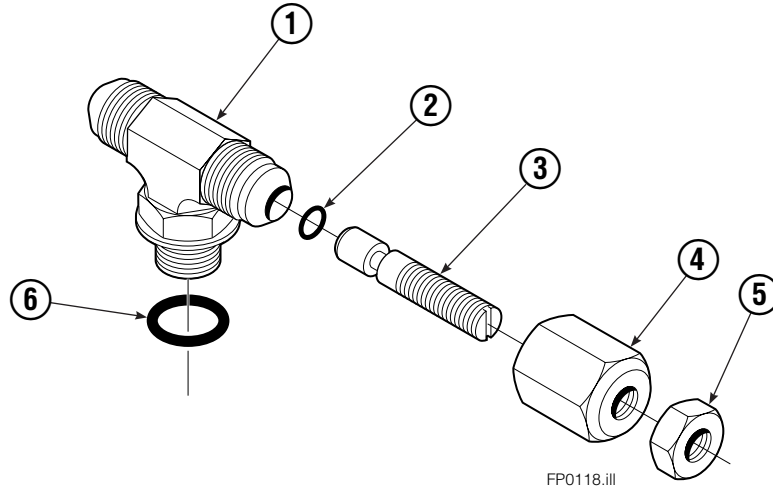
# Valve Assembly



REF	QTY	PART NO.	DESCRIPTION
		668861	Check Valve
1	1	667490	Special Fitting
● 2	2	2841	O-Ring
3	1	667471	Spool
4	3	609455	Fitting
5	1	668862	Valve Body
6	1	678270	Check Valve - V.P.O.
● 7	1	661347	Service Kit
8	1	604510	Fitting, 6
■ 9	1	676343	Regeneration Elimination Plug
		668864	Service Kit

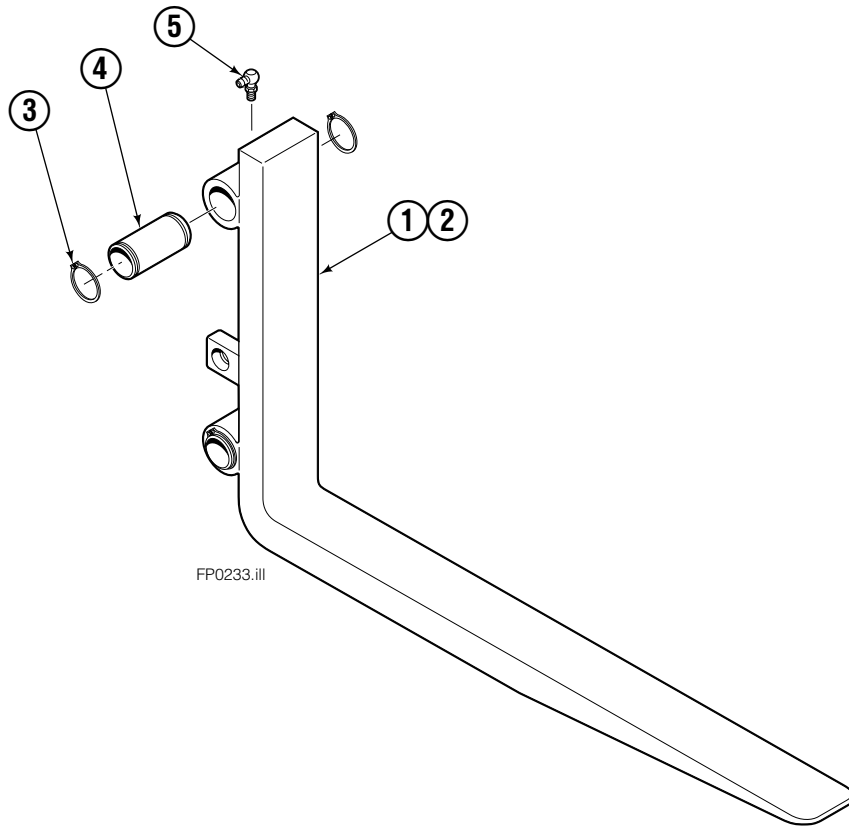
- Included in Service Kit 668864.
- For eliminating regeneration circuit only.  
(See Technical Bulletin Number 121)

# Restrictor Fitting



REF	QTY	PART NO.	DESCRIPTION
		617487	Restrictor Assembly
1	1	617486	Tee
2	1	2698	O-Ring
3	1	11100	Setscrew
4	1	11099	Cap
5	1	5715	Jam Nut
6	1	2840	O-Ring

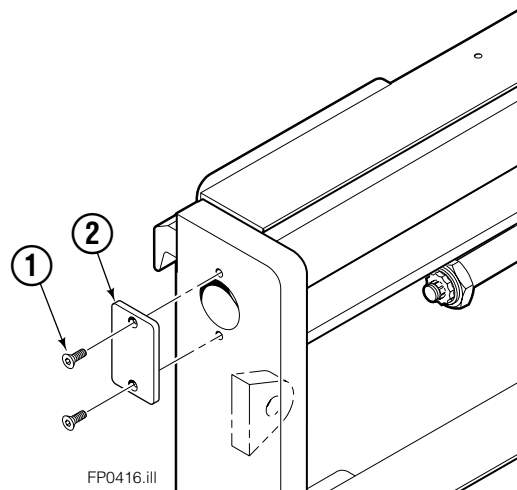
# Fork Group



REF	QTY	PART NO.	DESCRIPTION
		6102920	Fork Group
1	1	6102918	Fork – LH
2	1	6102919	Fork – RH
3	8	7217	Retaining Ring
4	4	827203	Bushing
5	4	3000530	Grease Fitting

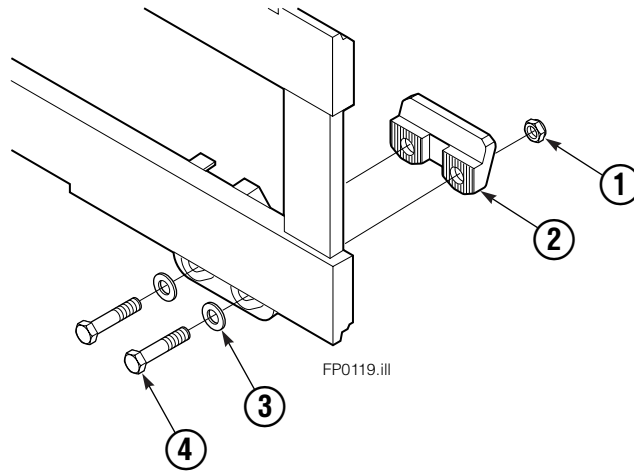
Reference: S-8653, S-8654.

# Backrest Group



REF	QTY	PART NO.	DESCRIPTION
		214679	Backrest Group
1	8	4771	Capscrew
2	4	826123	End Plate

# Mounting Group



100C/150C Class IV			
REF	QTY	PART NO.	DESCRIPTION
		381517	Mounting Group
1	4	553857	Nut
2	2	678034	Lower Hook
3	4	667225	Washer
4	4	638601	Capscrew

**Do you have questions you need answered right now?** Call your nearest Cascade Parts Department.

**Cascade Corporation**

2501 Sheridan Avenue  
Springfield, OH 45505  
Tel: 888-CASCADE (227-2233)  
FAX: 888-329-0234  
www.cascorp.com

**Cascade Canada Inc.**

5570 Timberlea Blvd.  
Mississauga, Ontario  
Canada L4W-4M6  
Tel: 905-629-7777  
FAX: 905-629-7785

**Cascade GmbH**

D-41199 Monchengladbach  
Klosterhofweg 52  
Germany  
Tel: 49-216-668230  
FAX: 49-216-6682323

**Cascade Finland**

Albert Petreliuksenkatu 3  
01370 Vantaa  
Finland  
Tel: 358-9-836-1925  
FAX: 358-9-836-1935

**Cascade N.V.  
European Headquarters**

P.O. Box 3009  
1300 El Almere  
Damsluisweg 56  
1332 ED Almere  
The Netherlands  
Tel: 31-36-5492911  
FAX: 31-36-5492964

**Cascade N.V.  
Benelux Sales and Service**

P.O. Box 3009  
1300 El Almere  
Damsluisweg 56  
1332 ED Almere  
The Netherlands  
Tel: 31-36-5492950  
FAX: 31-36-5492974

**Cascade (UK) Ltd.**

15, Orgreave Crescent  
Dore House Industrial Estate  
Handsworth  
Sheffield S13 9NQ  
England  
Tel: 742-697524  
FAX: 742-695121

**Cascade Scandinavia AB**

Box 124  
Hammarvägen 10  
567 23 Vaggeryd  
Sweden  
Tel: 42-0-393-36950  
FAX: 46-0-393-36959

**Cascade Norway**

Østerliveien 37A  
1153 Oslo  
Norway  
Tel: 47-22-743160  
FAX: 47-22-743157

**Cascade France S.A.R.L.**

1D Rue De Charaintru  
BP 18, 91360 Epinay-Sur-Orge  
Morangis Cedex, France  
Tel: 33-1- 64547500  
FAX: 33-1-64547501

**Cascade Hispania S.A.**

Carrer 5 Sector C  
Zona Franca Duanera  
Poligono de la Zon Franca  
08040 Barcelona, Spain  
Office No. 256  
Tel: 93-264-07-30  
FAX: 93-264-07-31

**Cascade Japan Ltd.**

5-5-41,  
Torikai Kami  
Settsu, Osaka  
Japan, 566  
Tel: 81-726-53-3490  
FAX: 81-726-53-3497

**Cascade Korea**

108B, Namdong Ind Complex  
658-3 Gojan-Dong  
Namdong-Gu  
Inchon, 405-310 Korea  
Tel: 82-32-821-2051  
FAX: 82-32-821-2055

**Cascade Australia**

1445 Ipswich Road  
Rocklea, QLD 4106  
Australia  
Tel: 1-800227-223  
FAX: (07) 3373-7333

**Cascade New Zealand**

15 Ra Ora Drive  
East Tamaki, Auckland  
New Zealand  
Tel: 9-273-9136  
FAX: 9-273-9137

**Cascade (Africa) Pty. Ltd.**

P.O. Box 625, Isando 1600  
60A Steel Road  
Sparton, Kempton Park  
South Africa  
Tel: 27-11-975-9240  
FAX: 27-11-394-1147

**Cascade-Xiamen**

No. 668 Yangguang Rd.  
Xinyang Industrial Zone  
Haicang, Xiamen City  
Fujian Province  
P.R. China 361026  
Tel: 86-592-651-2500  
FAX: 86-592-651-2571

**Cascade (Singapore)  
Trading Co.**

Four Seasons Park  
Autumn Block - Apt. 1802  
12 Cuscaden Walk  
Singapore  
Tel: 65-834-1935  
FAX: 65-834-1936

