



Parts Manual

Model _____ **Paper Roll Clamp**

Serial Number _____ **45F-RCS-156**

cascade®
corporation

For Technical Assistance call: 800-227-2233, Fax: 888-329-8207

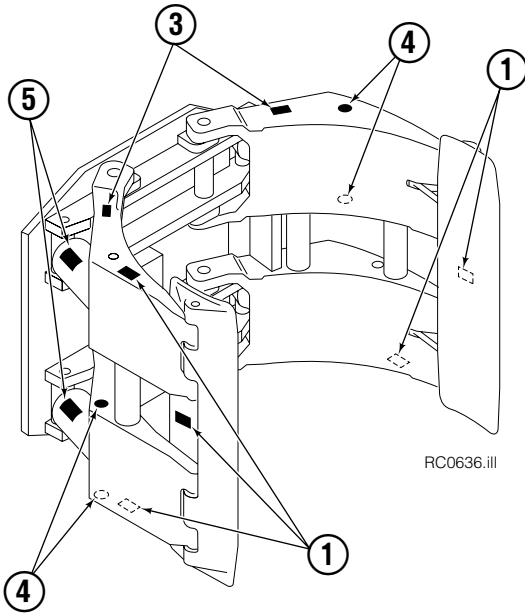
To Order Parts call: 888-227-2233, Fax: 888-329-0234

OR

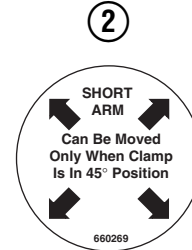
Write: Cascade Corporation, P.O. Box 20187, Portland, OR 97220

Internet: www.cascorp.com

Safety Decals

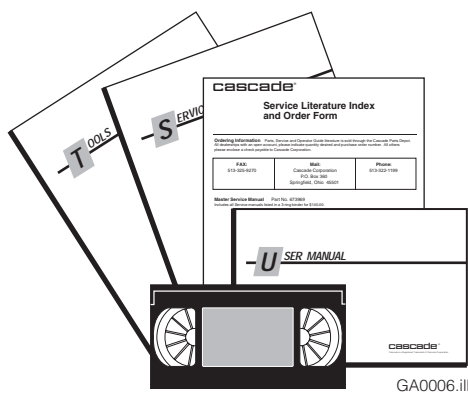


RC0636.ill



Roll Clamp Safety Decals			
REF	QTY	PART NO.	DESCRIPTION
1	6	665595	No Hand Hold Decal
2	3	660269	Short Arm Rotation Position Decal
3	4	656038	Caution Decal
4	4	679150	No Step Decal
5	4	665677	Trapped Pressure Decal
6	1	679059	Quick-Change Hook Decal

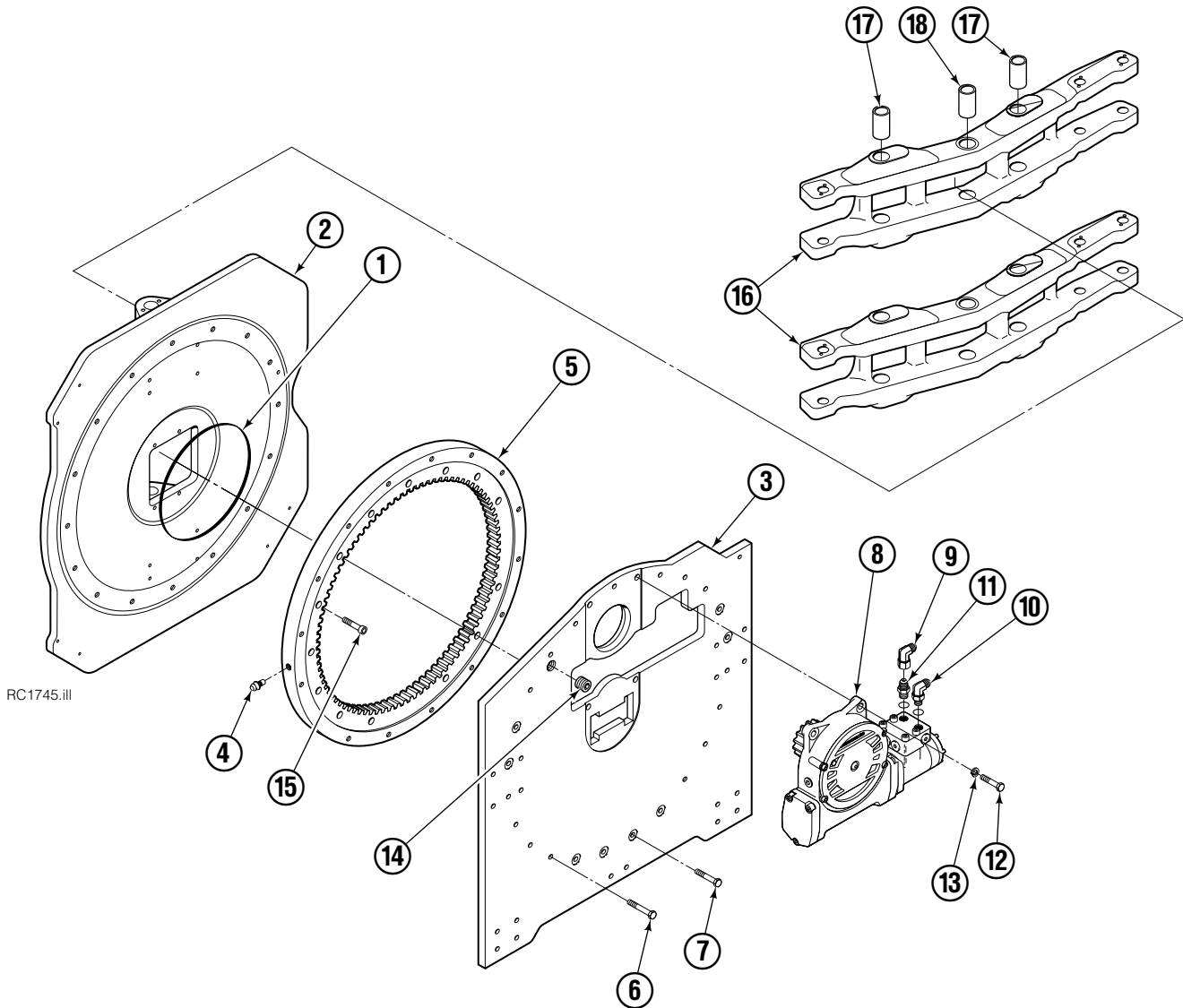
Publications



GA0006.ill

Roll Clamp Publications	
674512	Service Manual
210135	Operator's Guide – Fixed Frame
676268	Operator's Guide – Swing Frame
674510	Installation Instructions – Fixed Frame
674511	Installation Instructions – Swing Frame
677555	Driver Training Video – VHS
678363	Troubleshooting Video – VHS
680664	Servicing Cascade Cylinders – VHS
679929	Tool Catalog
673964	Literature Index Order Form

Frame Group



45F

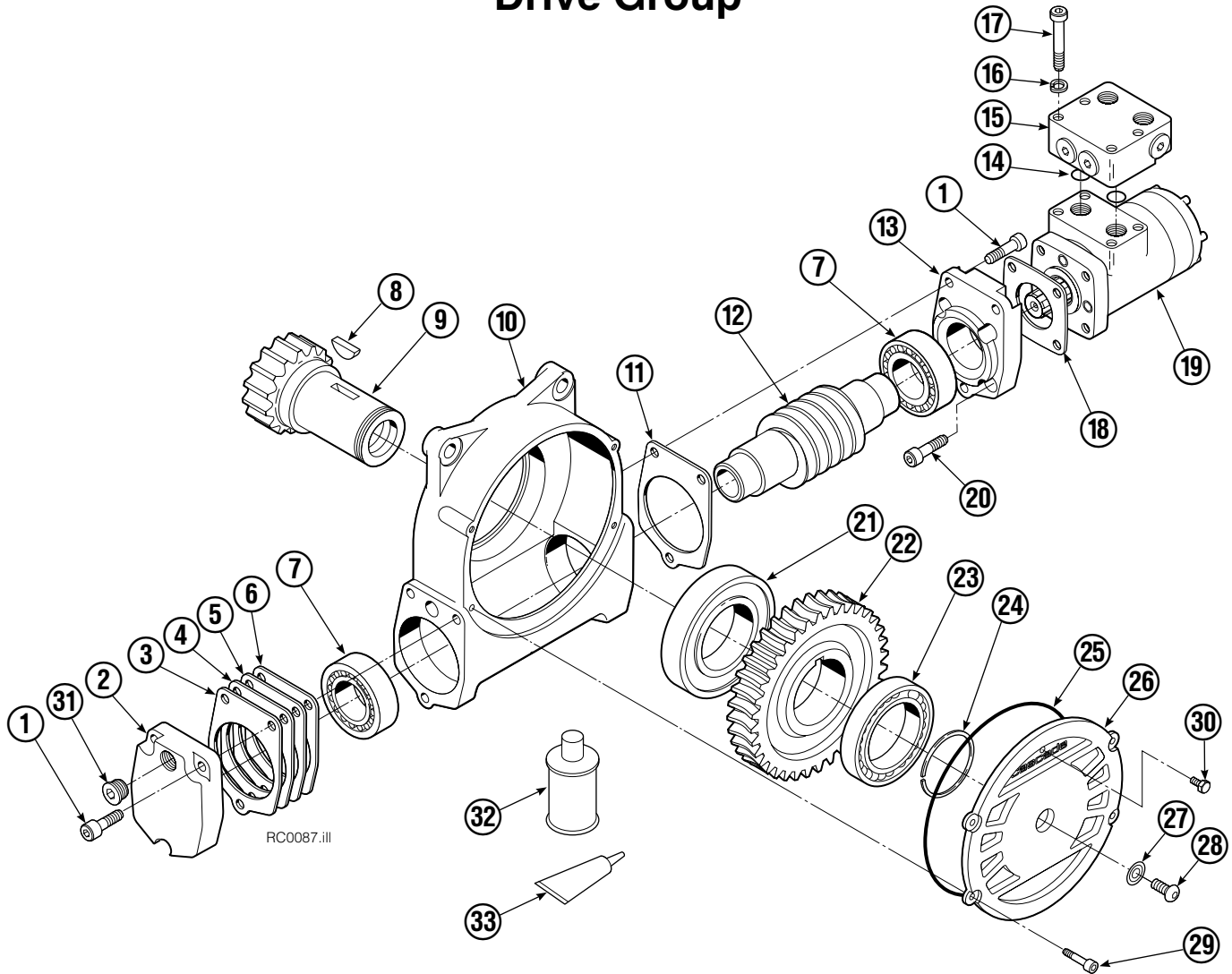
REF	QTY	PART NO.	DESCRIPTION	REF	QTY	PART NO.	DESCRIPTION
		680699	Frame Group - Rev 3	10	1	601250	Fitting, 8-8
1	1	670931	Seal	11	1	601377	Fitting, 8-8
2	1	674772	Faceplate	12	4	661742	Cap screw, 1/2 NC x 1.25
3	1	680679	Baseplate	13	4	6290	Lockwasher, 1/2 ID
4	1	7401	Grease Fitting	14	1	6605	Plug
5	1	672828	Bearing Assembly	15	16	4505	Cap screw, 1/2 x 1.25
6	9	643539	Cap screw, 1/2 NC x 1.75	16	2	674762	● Swing Frame
7	7	643538	Cap screw, 1/2 NC x 1.50	17	8	674839	● Bushing
8	1	795491	Drive Group ▲	18	4	674840	● Bushing
9	1	605761	Fitting, 8-8				

▲ See Drive Group page for parts breakdown.

● Included in Swing Frame Group 674863.

Reference: SK-5359, Common Parts Group 680700,
Fastener Kit 699003.

Drive Group



REF	QTY	PART NO.	DESCRIPTION	REF	QTY	PART NO.	DESCRIPTION
		795491	Drive Group with 2.8 c.i. Motor	19	1	206392	Drive Motor – 2.8 c.i. ▼
1	6	769570	Capscrew, M12 x 25	20	4	4468	Capscrew, 3/8 NC x .75 GR8
2	1	676855	Cover	21	1	670580	Bearing
3	●	674513	Shim – .005" (blue)	22	1	675609	Worm Gear
4	●	670574	Shim – .010" (brown)	23	1	670581	Bearing
5	●	671757	Shim – .015" (pink)	24	1	7214	Snap Ring
6	●	671758	Shim – .020" (yellow)	25	1	643423	O-Ring
7	2	670579	Bearing	26	1	775552	Cover
8	1	670582	Key	27	1	783609	Seal
9	1	670506	Pinion	28	1	783608	Capscrew, M12 x 16
10	1	775551	Housing	29	4	200882	Capscrew, M8 x 20
11	1	686465	Gasket	30	1	644010	Relief Fitting
12	1	675608	Worm	31	1	604510	Fitting, 6
13	1	775553	Adapter	32	1	656300	Gear Box Lube – 48 oz.
14	2	2705	O-Ring	33	1	668184	Sealant
15	1	670549	Check Valve ▲			670578	Shim Service Kit (items 3-6,25,33)
16	4	6444	Lockwasher			675637	Bearing Service Kit (items 21 & 33)
17	4	607059	Capscrew, 5/16 NC x 1.75 GR8			675638	Bearing Service Kit (items 3-7,25)
18	1	670575	Gasket			206394	Motor Kit-2.8(items 11,14,18,19)

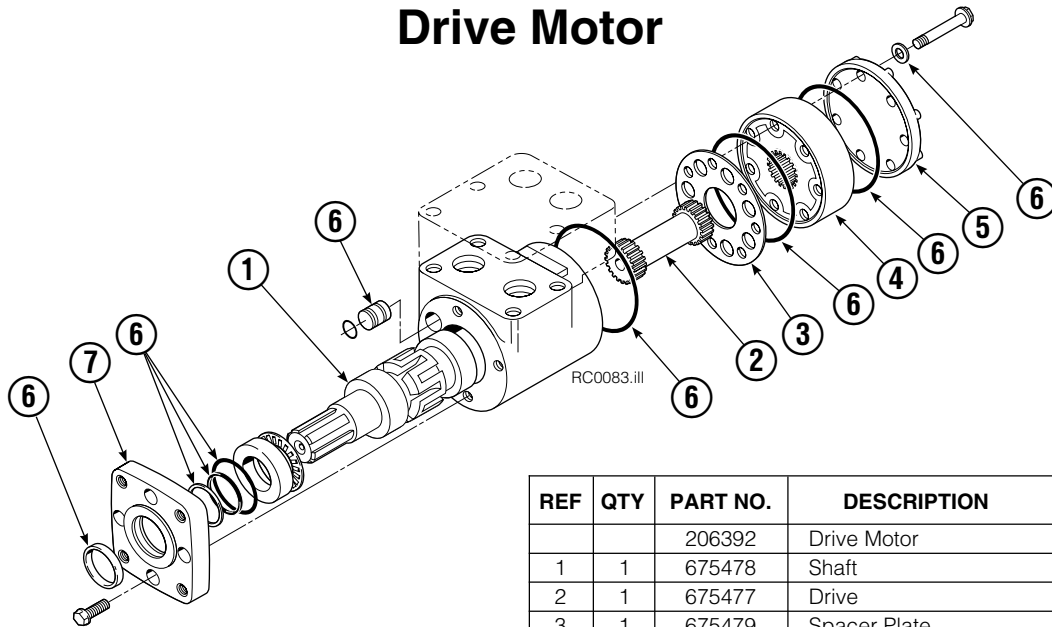
● Quantity as required.

▼ See Drive Motor page for parts breakdown.

▲ See Check Valve page for parts breakdown.

Reference: Common Parts 795490.

Drive Motor



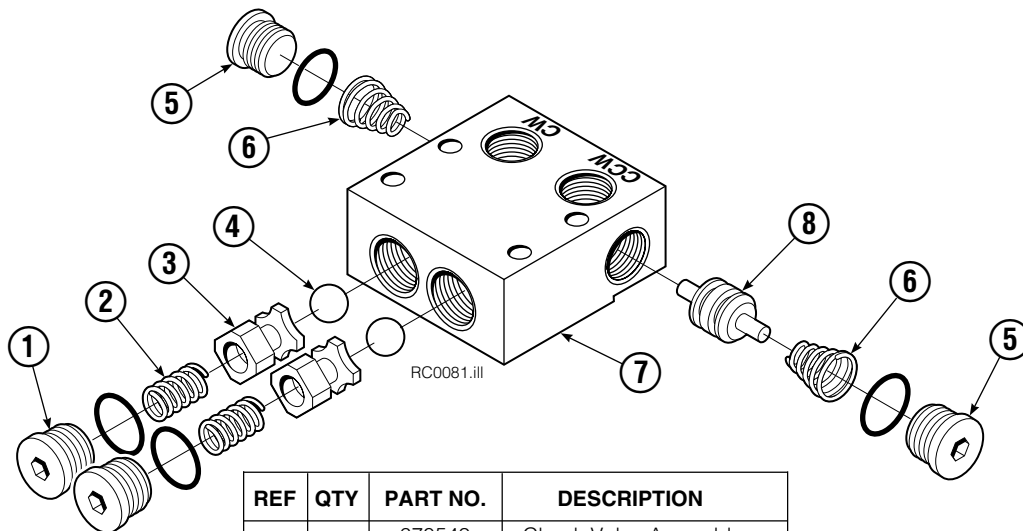
REF	QTY	PART NO.	DESCRIPTION
		206392	Drive Motor
1	1	675478	Shaft
2	1	675477	Drive
3	1	675479	Spacer Plate
4	1	675480	■ Gerotor Set (101-1768-007)
4	1	685075	■ Gerotor Set (101-1768-009)
5	1	675482	End Cap
6	1	206405	● Service Kit
7	1	685089	■ Flange (101-1768-007)
7	1	685090	■ Flange (101-1768-009)

Cascade provides service replacement parts for the listed parts only. Due to cost, if others parts need replacement, the complete drive motor should be replaced.

■ See Nameplate under valve for correct part number of Gerotor Set and Flange.

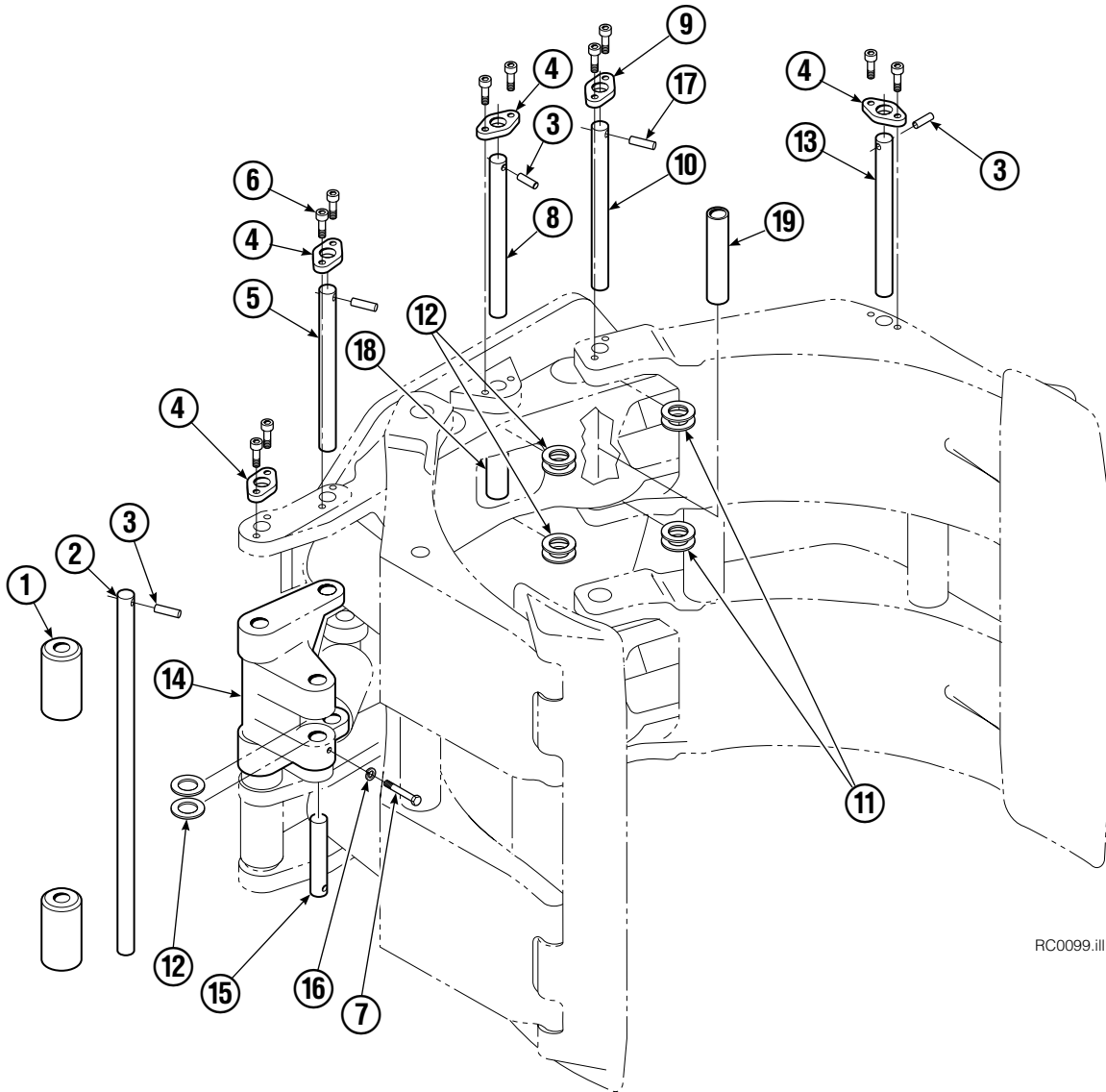
● Compatible with water glycol based hydraulic fluids.

Check Valve



REF	QTY	PART NO.	DESCRIPTION
		670549	Check Valve Assembly
1	2	609453	Fitting, 10
2	2	670552	Spring
3	2	670551	Guide
4	2	7020	Ball
5	2	602580	Fitting, 8
6	2	673989	Spring
7	1	670550	Body
8	1	670553	Spool

Common Components Group

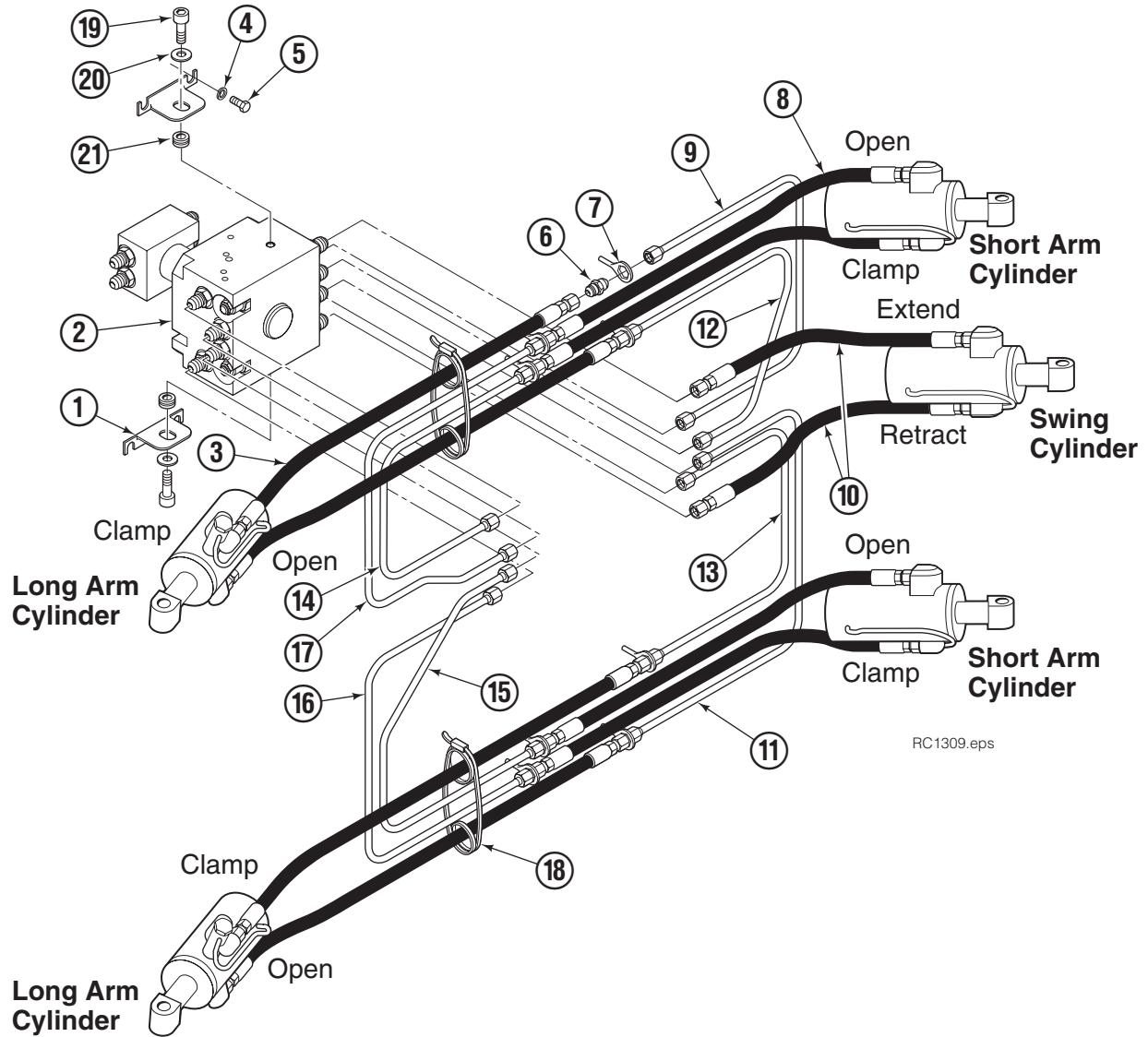


RC0099.ill

45F							
REF	QTY	PART NO.	DESCRIPTION	REF	QTY	PART NO.	DESCRIPTION
		680633	Components Group	10	4	674835	Pin
1	2	674759	Roller	11	16	660200	Shim
2	1	674834	Pin	12	16	674837	Shim
3	11	673385	Drive Pin	13	4	680639	Pin
4	11	674827	Retainer	14	1	674858	Swing Casting
5	4	674831	Pin	15	2	674836	Pin
6	30	4466	Capscrew, 3/8 x .50	16	2	6287	Lockwasher, 5/16 ID
7	2	3582	Capscrew, 5/16 x 2.25	17	4	673385	Drive Pin
8	2	674833	Pin	18	2	681666	Spacer
9	4	206589	Retainer	19	4	681667	Spacer

Reference: SK-4967, SK-5864.

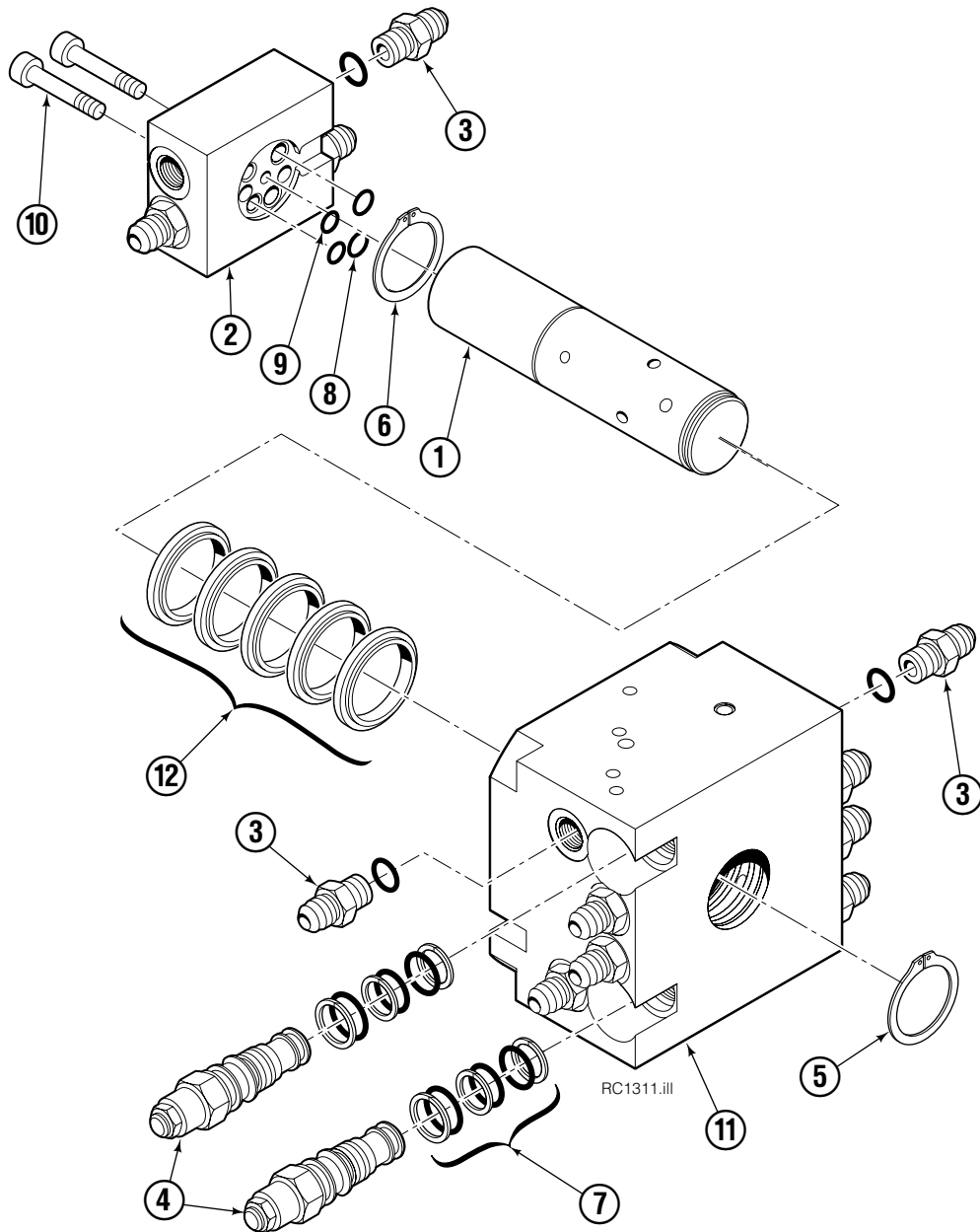
Swing Frame Hose Group



REF	QTY	PART NO.	DESCRIPTION	REF	QTY	PART NO.	DESCRIPTION
		6025903	Hose Group	11	1	674751	Tube
1	2	206606	Angle	12	1	674748	Tube
2	1	6027048	Revolving Connection ♦	13	1	674750	Tube
3	4	674755	Hose, 27.75 in.	14	1	674744	Tube
4	4	6288	Lockwasher, 3/8	15	1	674746	Tube
5	4	3600	Capscrew, 3/8 x .625	16	1	674747	Tube
6	8	2347	Fitting, 6-6	17	1	674745	Tube
7	8	674743	Eye Bolt	18	2	649086	Cable Tie
8	4	674756	Hose, 20.88 in.	19	2	208780	Shoulder Bolt
9	1	674749	Tube	20	2	209021	Washer
10	2	674752	Hose, 12.50 in.	21	2	208765	Grommet

♦ See Revolving Connection page for parts breakdown.
Reference: SK-5831.

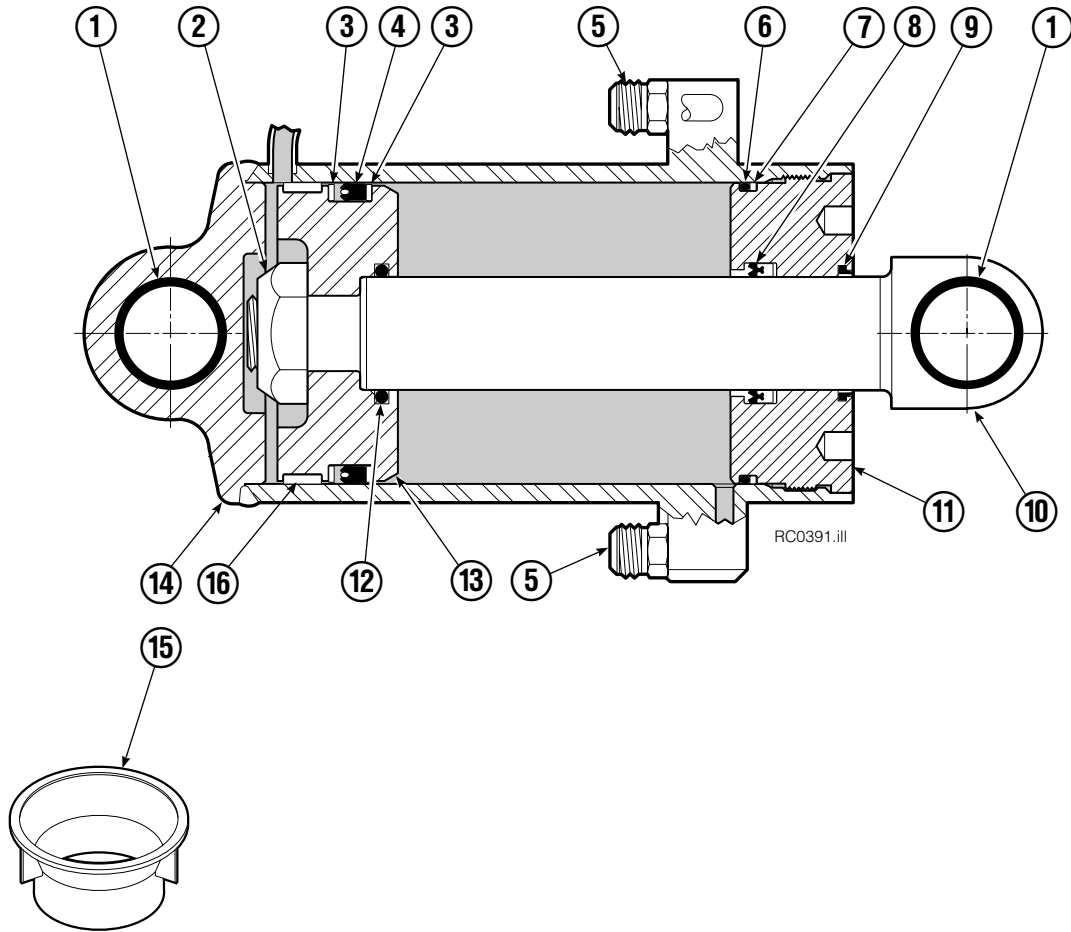
Revolving Connection



REF	QTY	PART NO.	DESCRIPTION
		6027048	Revolving Connection
1	1	6027042	Shaft
2	1	6017882	End Block
3	14	604511	Fitting, 6
4	2	674732	Counterbalance Valve
5	1	3138	● Retaining Ring
6	1	7341	● Retaining Ring
7	2	667516	Service Kit
8	2	684587	● O-Ring
9	2	613376	● O-Ring
10	2	768797	● Capscrew, M8 x 40
11	1	6018024	Body
12	5	214649	● Shaft Seal
		6018085	Service Kit

● Included in Service Kit 6018085.

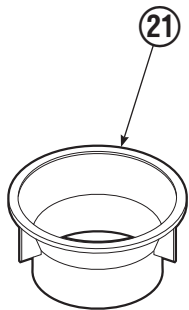
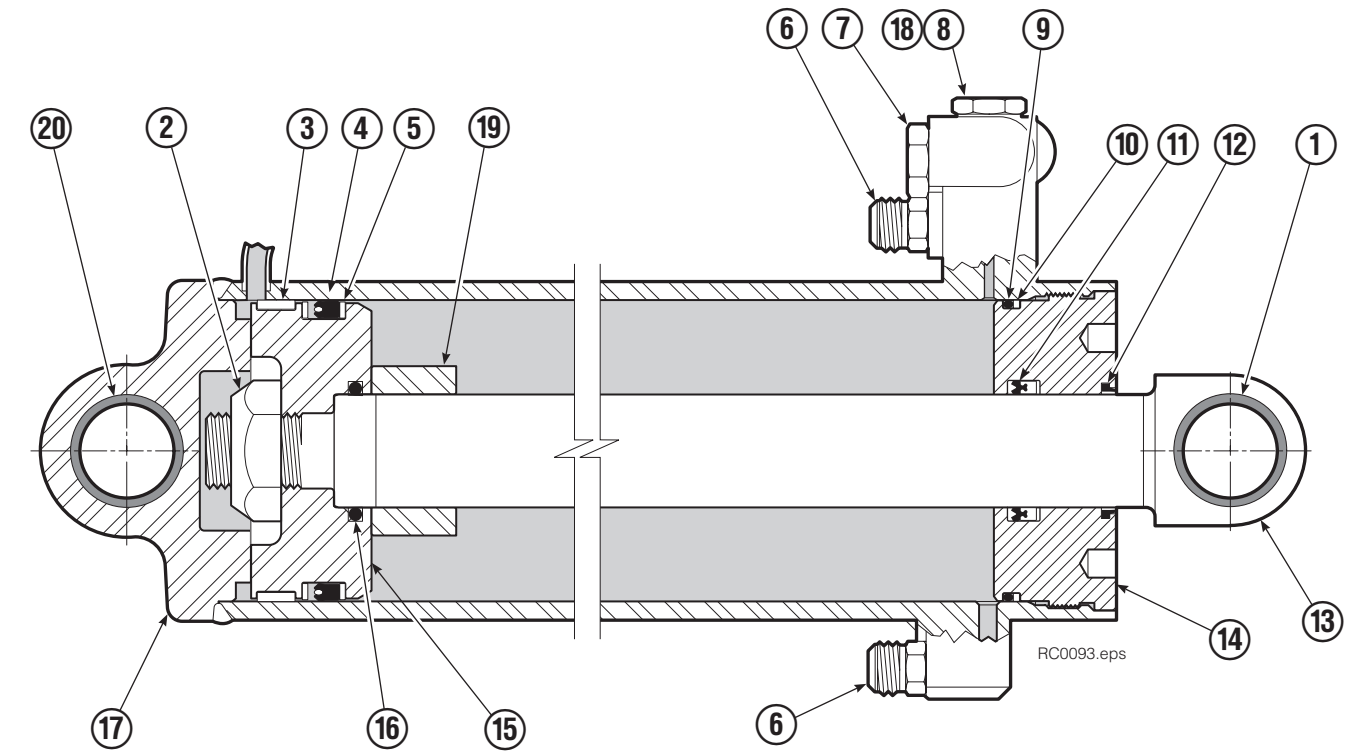
Swing Cylinder



REF	QTY	PART NO.	DESCRIPTION
		580099	Cylinder Assembly
1	3	674840	Bearing
2	1	561997	Nut
3	2	638293	▲ Back-Up Ring
4	1	557445	▲ Seal
5	2	604511	Fitting, 6-6
6	1	2797	▲ O-Ring
7	1	615140	▲ Back-Up Ring
8	1	554598	▲ Seal
9	1	564930	▲ Wiper
10	1	558070	Rod
11	1	555207	Retainer
12	1	2722	▲ O-Ring
13	1	558068	Piston
14	1	555198	Shell
15	1	669235	▲ Seal Loader
		555208	Service Kit

▲ Included in Service Kit 555208.

Cylinder Assembly – Long Arm

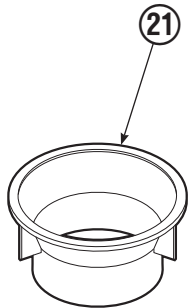
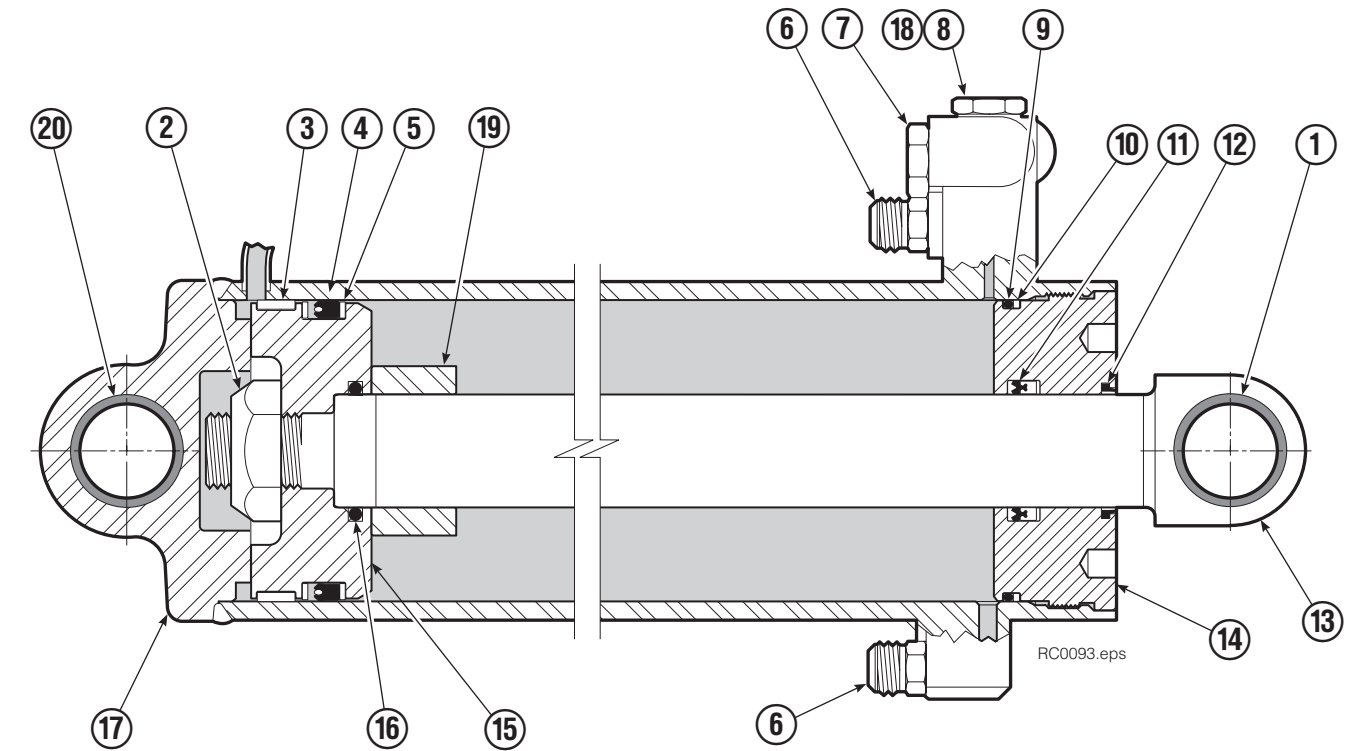


REF	QTY	PART NO.	DESCRIPTION
		555154	Cylinder Assembly
1	1	674840	Bearing
2	1	560997	Nut
3	1	660767	◆ Bearing
4	1	662460	◆ Seal
5	2	638293	◆ Nylon Ring
6	2	604511	Fitting, 6-6
7	1	556852	Fitting, 4
8	1	557212	Check Valve
9	1	2797	◆ O-Ring
10	1	615140	◆ Back-Up Ring
11	1	554598	◆ Seal
12	1	564930	◆ Wiper
13	1	555236	Rod
14	1	555207	Retainer
15	1	555226	Piston
16	1	2722	◆ O-Ring
17	1	555235	Shell
18	1	667516	Check Valve Service Kit
19	1	—	Spacer
20	2	564372	Bearing
21	1	669235	Seal Loader
		555227	Service Kit

◆ Included in Service Kit 555227.

Reference: S-5305, S-5559.

Cylinder Assembly – Short Arm

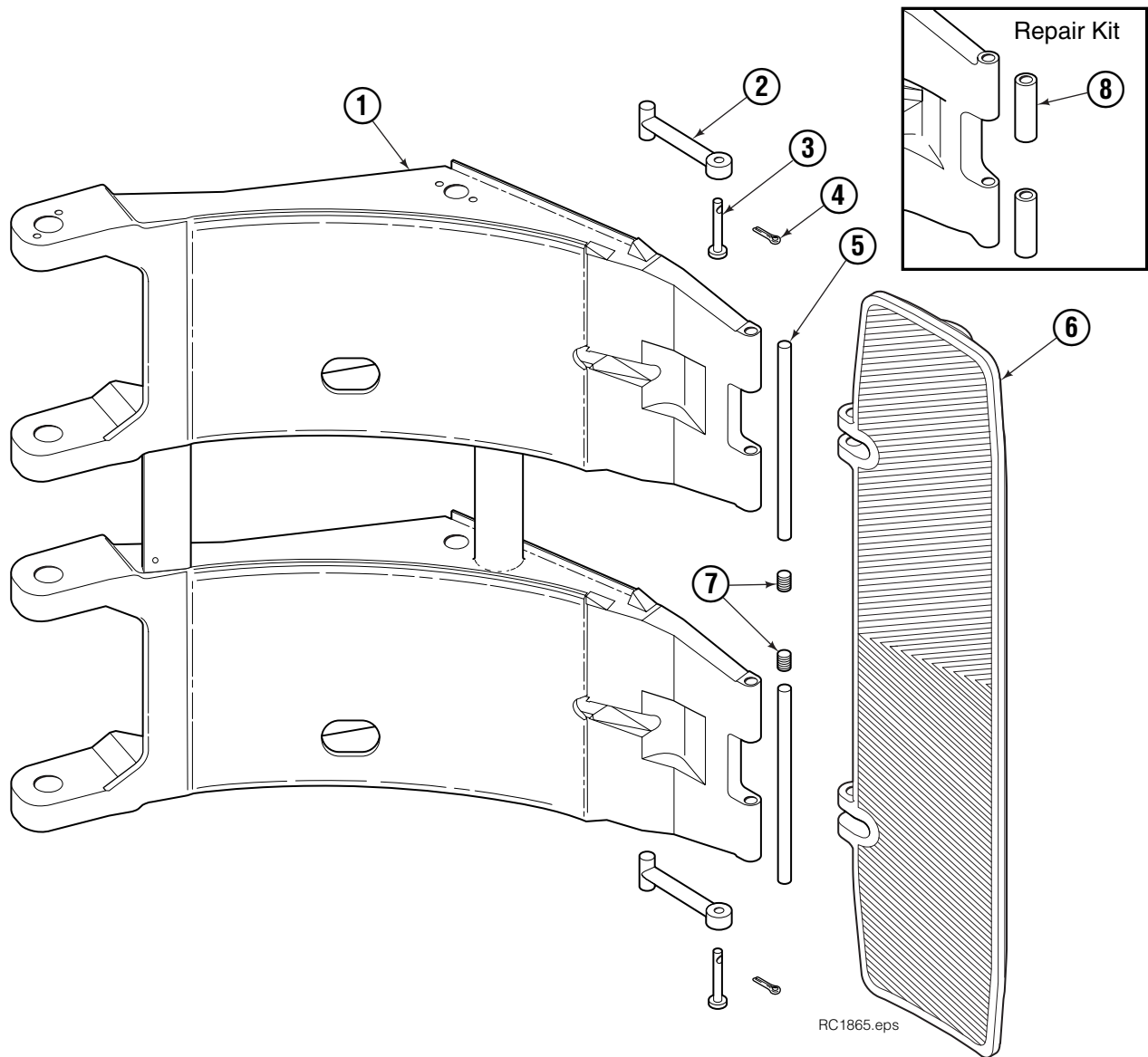


REF	QTY	PART NO.	DESCRIPTION
		555156	Cylinder Assembly
1	1	674840	Bearing
2	1	560997	Nut
3	1	660767	◆ Bearing
4	1	662460	◆ Seal
5	2	638293	◆ Nylon Ring
6	2	604511	Fitting, 6-6
7	1	556852	Fitting, 4
8	1	557212	Check Valve
9	1	2797	◆ O-Ring
10	1	615140	◆ Back-Up Ring
11	1	554598	◆ Seal
12	1	564930	◆ Wiper
13	1	555240	Rod
14	1	555207	Retainer
15	1	555226	Piston
16	1	2722	◆ O-Ring
17	1	555239	Shell
18	1	667516	Check Valve Service Kit
19	1	—	Spacer
20	2	564372	Bearing
21	1	669235	Seal Loader
		555227	Service Kit

◆ Included in Service Kit 555227.

Reference: S-5305, S-5559.

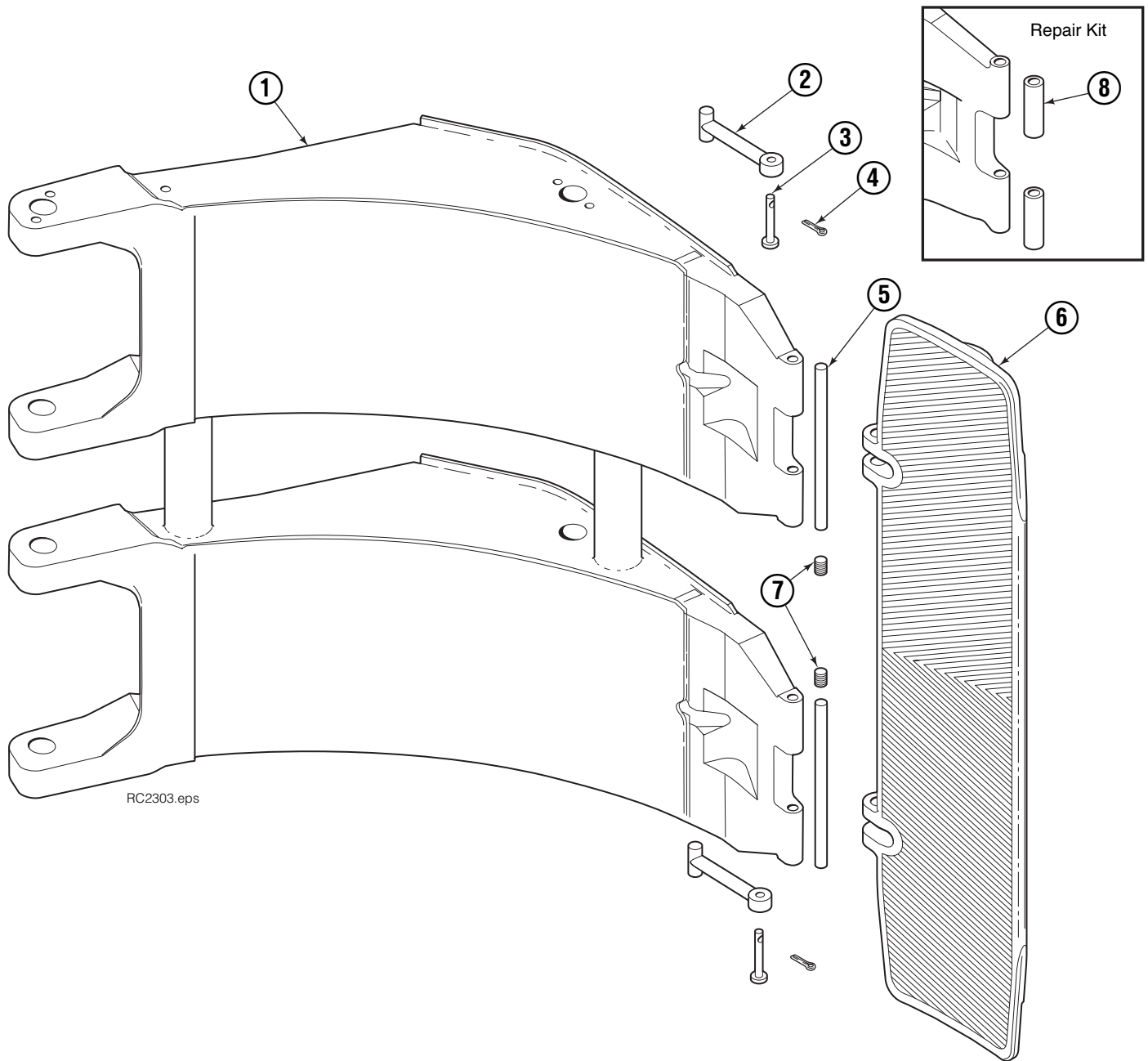
Contact Pad Group - Short Arm



45F			
REF	QTY	PART NO.	DESCRIPTION
		674703	Contact Pad Group ♦
1	1	674769	Short Arm
2	2	674700	Link
3	2	674265	Clevis Pin
4	2	6525	Cotter Pin
5	2	674701	Pin
6	1	674702	Contact Pad
7	2	604510	Plug
8	1	674928	Arm Tip Repair Kit

♦ Includes items 2 – 7 only.

Contact Pad Group - Long Arm

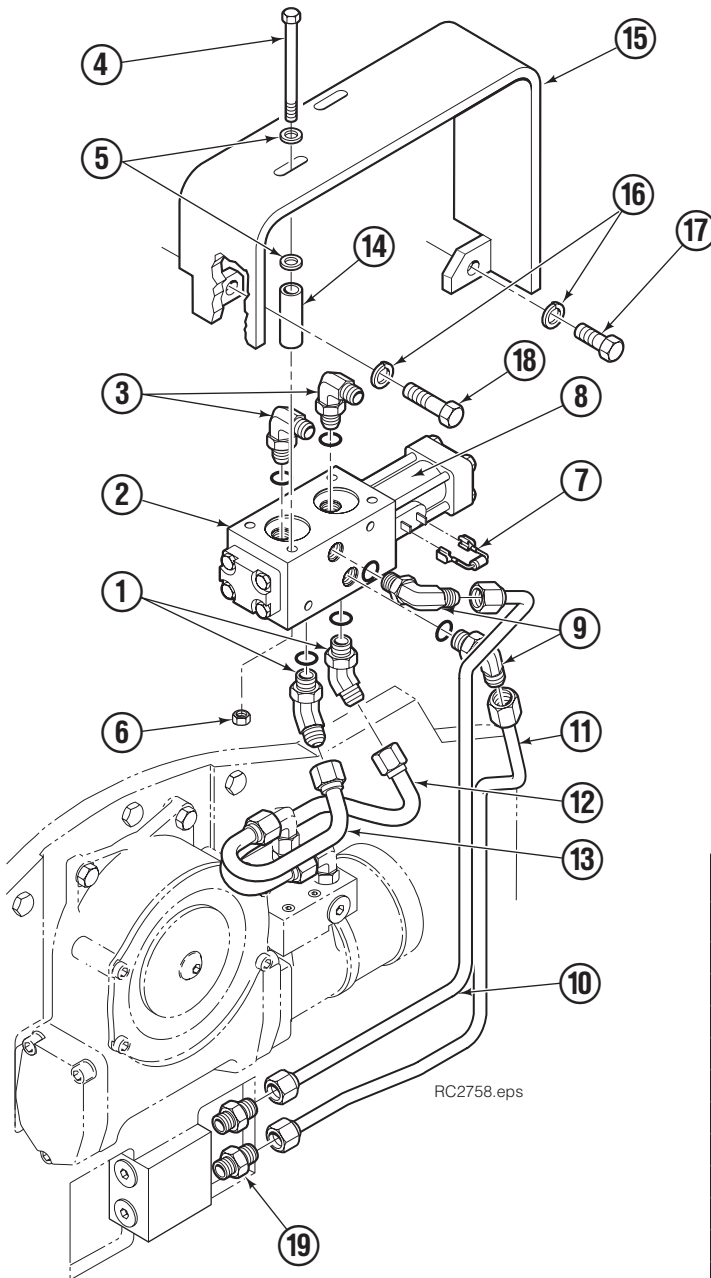


RC2303.eps

45F			
REF	QTY	PART NO.	DESCRIPTION
		207421	Contact Pad Group ♦
1	1	680443	Long Arm
2	2	674700	Link
3	2	674265	Clevis Pin
4	2	6525	Cotter Pin
5	2	674701	Pin
6	1	207420	Contact Pad
7	2	604510	Fitting
8	1	674928	Arm Tip Repair Kit

♦ Includes items 2 - 7 only.

Solenoid Adaption Group



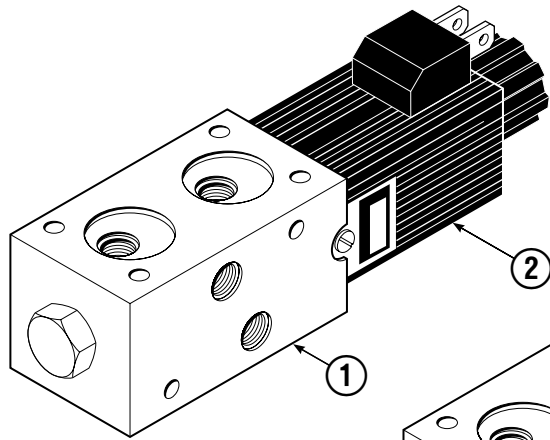
45F			
REF	QTY	PART NO.	DESCRIPTION
		353271	Solenoid Adaption Group
1	2	651302	Fitting, 8-6
2	1	●	Solenoid Valve ■
3	2	651303	Fitting, 8-6
4	2	212190	Capscrew, M8 x 130
5	4	787398	Washer, M8
6	2	767414	Nut, M8
7	1	669432	Diode
8	1	●	Coil
9	2	601676	Fitting, 6-6
10	1	353274	Tube
11	1	353275	Tube
12	1	671516	Tube
13	1	671512	Tube
14	2	665115	Tube Spacer
15	1	675411	Guard
16	2	6290	Lockwasher
17	1	601854	Capscrew, 1/2 x 1.00
18	1	636408	Capscrew, 1/2 x 2.00

● See Solenoid Valve & Coil page.

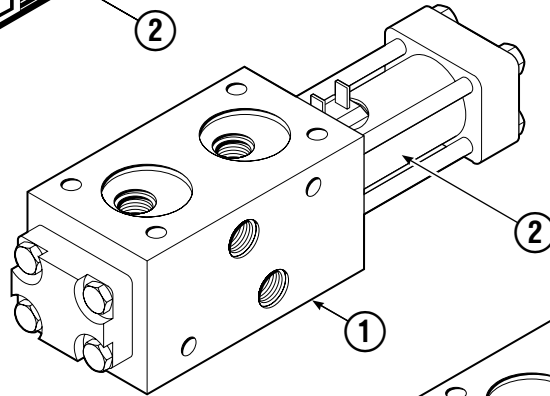
■ Includes item 8.

Reference: SK-8344.

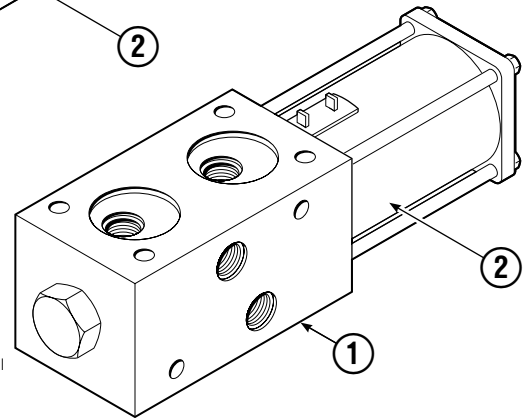
Solenoid Valves



**New Style
Waterman**



**Old
Waterman**



Racine

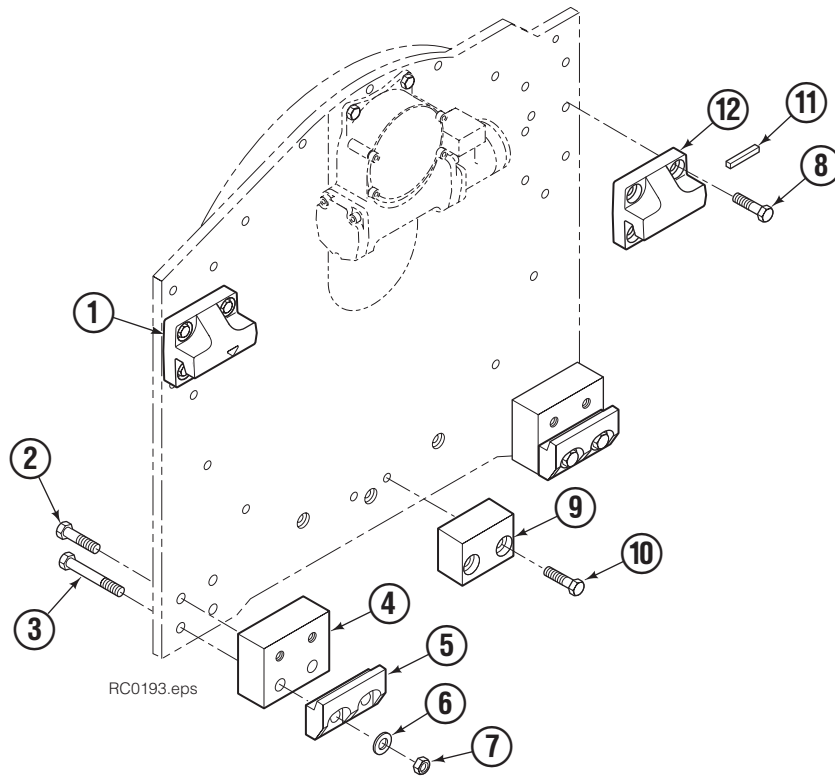
GA0074.iii

NOTE: The Waterman new style solenoid with black coil, Waterman old style solenoid and Racine solenoid valve assemblies are interchangeable as a unit. Replacement coils **must** match the valves. If one brand is preferred over another you **must** specify both the part number and brand name.

REF	QTY	New Style Waterman		Old Style Waterman	Racine	DESCRIPTION
		No. 6 SAE	No. 8 SAE			
		PART NO.	PART NO.	PART NO.	PART NO.	
1	1	200585	200548	614089	614089	Solenoid Valve-12V
1	1	200586	200549	614091	614091	Solenoid Valve-24V
1	1	200587	200550	614092	614092	Solenoid Valve-36V
1	1	200588	200254	614093	614093	Solenoid Valve-48V
1	1	—	—	614094	—	Solenoid Valve-72V
2	1	200255	200255	611458	665044	Coil-12V
2	1	200256	200256	611460	665045	Coil-24V
2	1	200257	200257	611461	665046	Coil-36V
2	1	200258	200258	614097	665047	Coil-48V
2	1	—	—	614098	—	Coil-72V
		—	—	685072	685012	Service Kit

Reference: S-962.

Bolt-On Mounting Group



Class III, 0°			
REF	QTY	PART NO.	DESCRIPTION
		680632	Mounting Group
1	1	670527	Upper Hook – LH
2	4	641284	Capscrew, .625 x 2.25
3	4	669305	Capscrew, .625 x 5.00
4	2	682068	Spacer
5	2	675969	Lower Hook
6	4	667225	Washer
7	4	676281	Nut, .625
8	8	667369	Capscrew, .625 x 1.25
9	1	682067	Center Spacer
10	2	677828	Capscrew, .50 x 1.00
11	1	669344	Stop Block Kit
12	1	670528	Upper Hook – RH

Do you have questions you need answered right now? Call your nearest Cascade Parts Department. Visit us online at www.cascorp.com

**Cascade Corporation
U.S. Headquarters**
2201 NE 201st
Fairview, OR 97024-9718
Tel: 800-CASCADE (227-2233)
FAX: 888-329-8207

Cascade Canada Inc.
5570 Timberlea Blvd.
Mississauga, Ontario
Canada L4W-4M6
Tel: 905-629-7777
FAX: 905-629-7785

Cascade GmbH
Niederwippekühl 1
58579 Schalksmühle
Germany
Tel: 02355-50900
FAX: 02355-509020

Cascade Finland
A. Petreliuksenkatu 3
01370 Vantaa
Finland
Tel: 09-8361925
FAX: 09-8361935

**Cascade N.V.
Benelux Sales and Service**
Damsluisweg 56
PO Box 3009
1300 El Almere
The Netherlands
Tel: 036-5492950
FAX: 036-5492974

Cascade (UK) Ltd.
Unit 4, 12 O'Clock Court
Attercliffe Road
Sheffield, S4 7WW
England
Tel: 0870-850-8756
FAX: 0870-850-8757

**Sales Scotland
Macade Systems Ltd.**
18 Melford Road
Righead Ind. Estate
Bellshill ML4 3LR
Scotland
Tel: 01698-845777
FAX: 01698-845888

Cascade (Africa) Pty. Ltd.
PO Box 625, Isando 1600
60A Steel Road
Sparton, Kempton Park
South Africa
Tel: 27-11-975-9240
FAX: 27-11-394-1147

Cascade Scandinavia AB
Hammarvägen 10
PO Box 124
S-56723 Vaggeryd
Sweden
Tel: 039-336950
FAX: 039-336959

**Cascade France
S.A.R.L. MHP**
1D Rue De Charaintru BP 18,
91360 Epinay-Sur-Orge
France
Tel: 01-6454-7500
FAX: 01-6454-7501

Cascade Hispania S.A.
Carrer 5, Sector C
Zona Franca Duanera
Poligono de la Zona Franca
08040 Barcelona, Spain
Tel: 93-264-07-30
FAX: 93-264-07-31

Cascade Italia S.R.L.
Via Dell'Artigianato 1
37050 Vago di Lavagno (VR)
Italy
Tel: 39-045-8989111
FAX: 39-045-8989160

Movimenta Lda.
Parque Industrial
Vale do Alecrim, Lote 108
2950-403 Palmela
Portugal
Tel: 351-212387340
FAX: 351-212387349

**Sales Switzerland
Fahrzeugbedarf**
8810, Horgen
Switzerland
Tel: 01-7279797
FAX: 01-7279798

Sales Poland
Targowa 35/61
03-728 Warszawa
Tel: 022-619 00 49
FAX: 022-619 00 49
Mobile Tel: 0501-27 29 55

Sales Russia
EMCG Material Handling
Equipment
Moscow
Tel: 095-795-2400
FAX: 095-795-2475
Email: emcg@emcg.ru

Cascade Japan Ltd.
5-5-41,
Torikai Kami
Settsu, Osaka
Japan, 566
Tel: 81-726-53-3490
FAX: 81-726-53-3497

Cascade Korea
121B 9L Namdong Ind.
Complex, 691-8 Gojan-Dong
Namdong-Ku
Inchon, 405-310 Korea
Tel: 82-32-821-2051
FAX: 82-32-821-2055

Cascade Australia
1445 Ipswich Road
Rocklea, QLD 4107
Australia
Tel: 1-800-227-223
FAX: 617-3373-7333

Cascade New Zealand
15 Ra Ora Drive
East Tamaki, Auckland
New Zealand
Tel: 64-9-273-9136
FAX: 64-9-273-9137

Cascade-Xiamen
No. 668 Yangguang Rd.
Xinyang Industrial Zone
Haicang, Xiamen City
Fujian Province
P.R. China 361026
Tel: 86-592-651-2500
FAX: 86-592-651-2571

**Sunstream Industries
Pte Ltd.**
No. 3 Tuas Link 1
2263
Singapore
Tel: 65-6863-3488
FAX: 65-6863-1368

**Cascade do Brasil
Distribuidora de Garras
e Garfos LTDA**
Av. General Valdomiro
de Lima 43
Jabaquara - Sao Paulo - S.P.
Brasil CEP 04344-070
Tel: 55-11-5016-2484
Fax: 55-11-5013-2809

