



# Parts Manual

---

Model Fork Positioner

Serial Number 150H-FPS-C051R0

---

**cascade**<sup>®</sup>  
corporation

**For Technical Assistance call:** 800-227-2233, Fax: 888-329-8207

**To Order Parts call:** 888-227-2233, Fax: 888-329-0234

OR

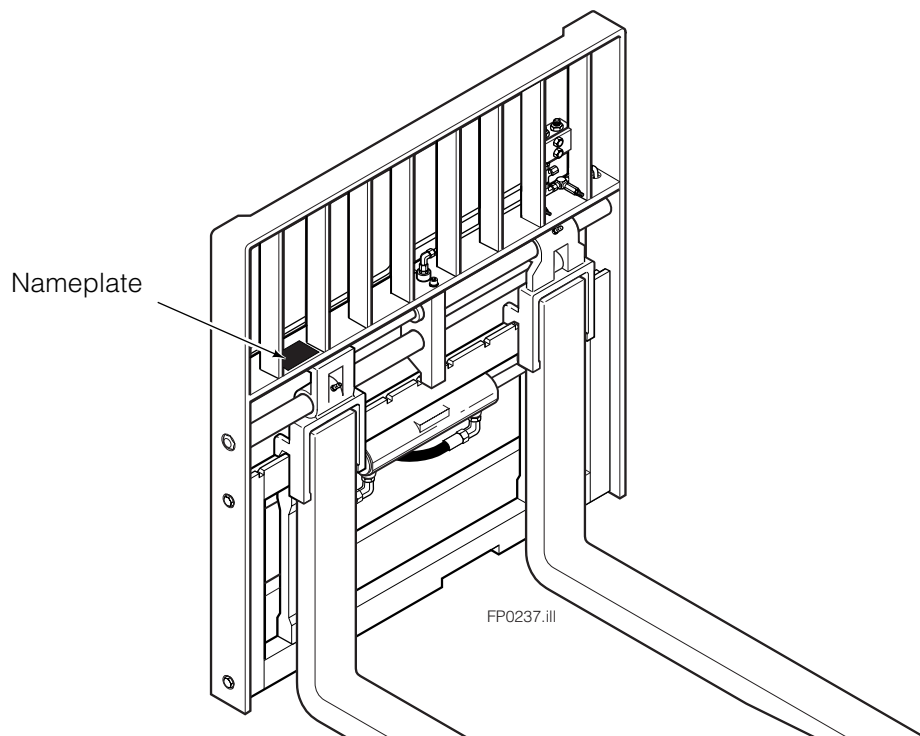
**Write:** Cascade Corporation, P.O. Box 20187, Portland, OR 97220

**Internet:** [www.cascorp.com](http://www.cascorp.com)

# About This Manual

## Introduction

This Manual shows the parts breakdown for the 150H Fork Positioner. Locate the nameplate on the left side of the backrest. If the nameplate is missing all necessary information is stamped into the backrest at the same location. The serial number must be supplied when ordering replacement parts for this product.



## Ordering Parts

**Customers** – Cascade parts and service literature is available through authorized lift truck dealers. To place an order, contact the lift truck dealer of your choice.

**Lift Truck Dealers** – To order parts and service literature contact:

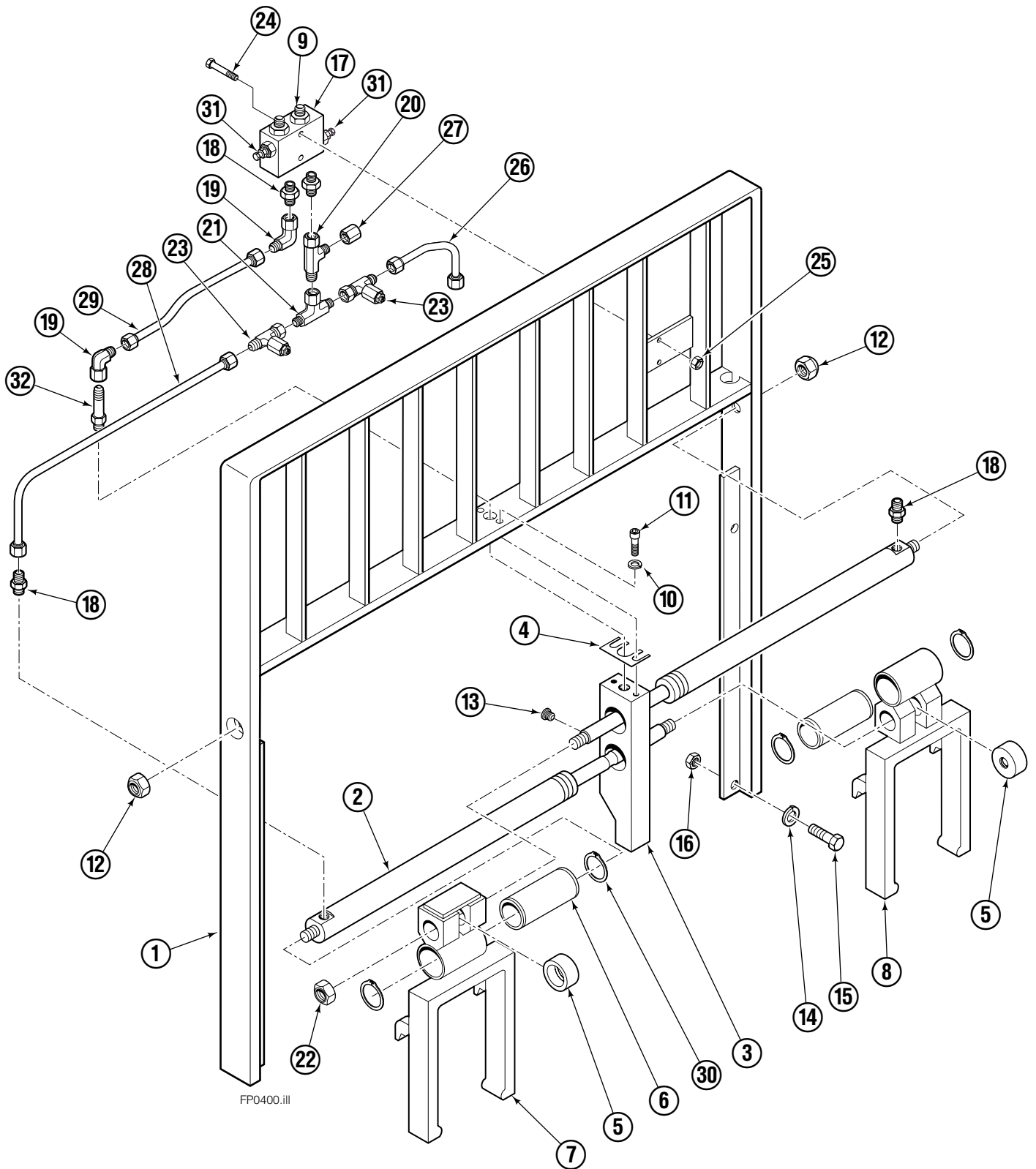
### **Cascade Parts Sales**

2501 Sheridan Avenue  
Springfield, OH 45505  
Tel: 888-CAS-CADE (227-2233)  
FAX: 888-329-0234



**WARNING:** For the safety of yourself and others, DO NOT install the parts shown in this Manual unless you have thoroughly reviewed the appropriate Service Manual.

# Fork Positioner Assembly

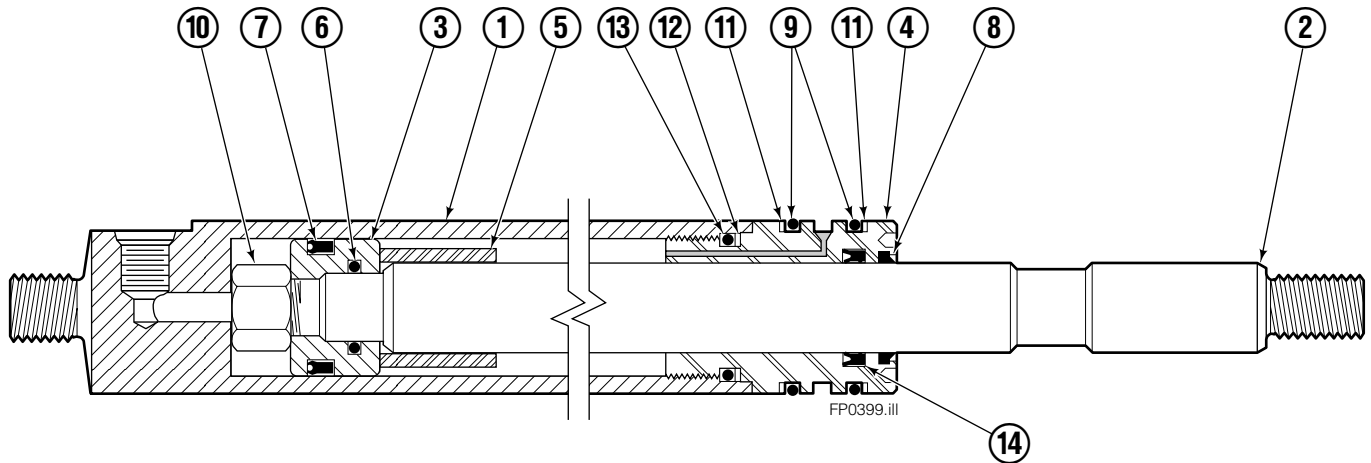


FP0400.ill

# Fork Positioner Assembly

150H			
REF	QTY	PART NO.	DESCRIPTION
		6011313	Fork Positioner Assembly
1	1	6006788	Frame
2	2	6007221	Cylinder
3	1	6101808	Center Plate
4	1	6007060	Shim
5	2	6006682	Lug
6	2	6006759	Bushing
7	1	6006894	Fork Carrier, RH
8	1	6006879	Fork Carrier, LH
9	2	604511	Fitting, 6-6
10	2	680030	Lockwasher, M10
11	2	217933	Capscrew, M10 x 45
12	2	200244	Nut, GR8
13	1	604510	Plug, 6
14	4	683822	Lockwasher, M12
15	4	202407	Capscrew, M12 x 60
16	4	763025	Nut, M12
17	1	215919	Valve Body
18	4	611288	Fitting, 6-8
19	2	2680	Fitting, 6-6
20	1	611329	Fitting, 6-6
21	1	610892	Fitting, 6-6
22	2	200006	Nut
23	2	6009677	Restrictor Fitting
24	2	768528	Capscrew, M8 x 55
25	2	786881	Nut, M8
26	1	6009745	Tube, 6
27	1	2645	Nut, 6
28	1	6009786	Tube, 6
29	1	6101869	Tube
30	4	3154	Snap Ring
31	2	211223	Sun Valve
32	1	605743	Fitting

# Cylinder

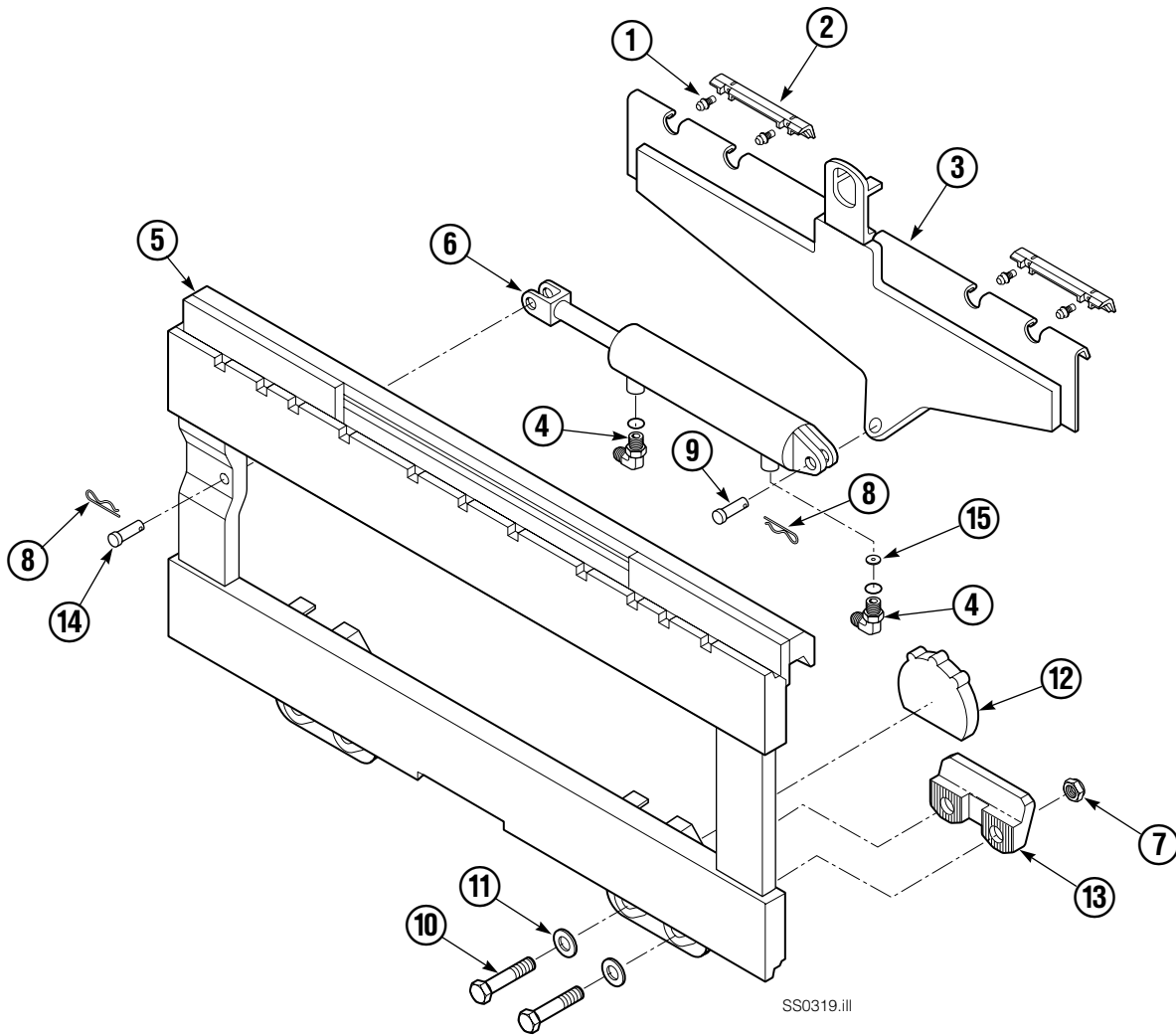


<b>150H</b>			
REF	QTY	PART NO.	DESCRIPTION
		6007221	Cylinder Assembly
1	1	6007219	Shell
2	1	6007022	Rod
3	1	6006925	Piston
4	1	6006966	Retainer
5	1	6006924	Spacer
6	1	2708	O-Ring ●
7	1	663728	Piston Seal ●
8	1	636851	Wiper ●
9	2	2784	O-Ring ●
10	1	667623	Nut, .625
11	2	615127	Back Up Ring ●
12	1	615125	Back Up Ring ●
13	1	2721	O-Ring ●
14	1	6010310	Rod Seal ●
		6100214	Service Kit

●Included in Service Kit 6100214.

Reference: S-21126, S-21132.

# Sideshifter Group



SS0319.iii

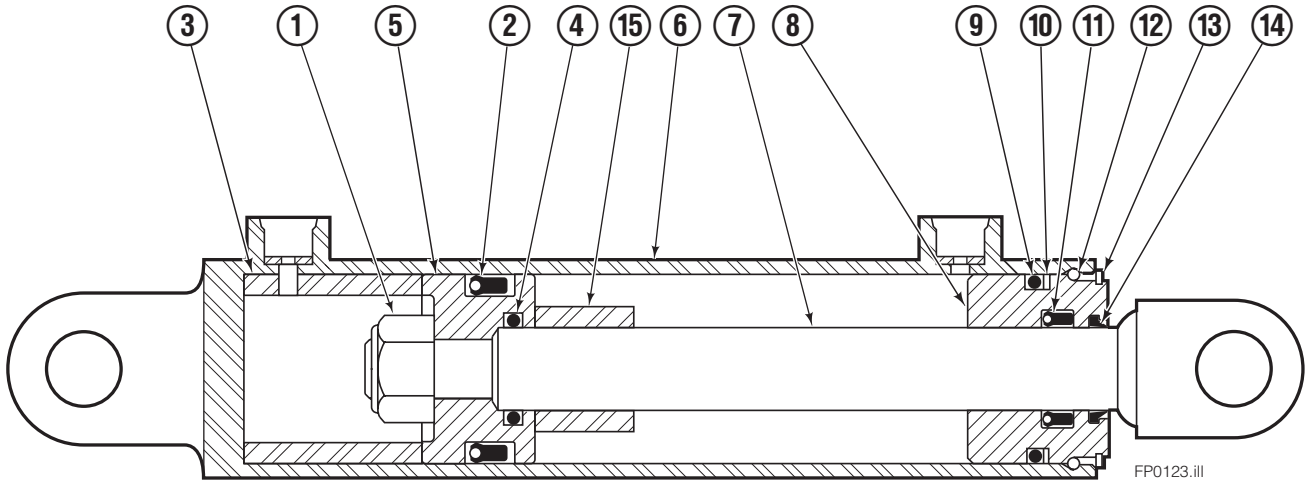
150H			
REF	QTY	PART NO.	DESCRIPTION
1	4	7403	Grease Fitting
2	2	672018	Bearing Segment
3	1	686238	Anchor Bracket
4	2	601676	Fitting, 6-6
5	1	686258	Faceplate ■
6	1	686243	Cylinder Assembly ▲
7	4	553857	Nut
8	2	686217	Cotter Pin
9	1	686215	Clevis Pin
10	4	638601	Capscrew, 5/8 NC x 2.00 GR5
11	4	667225	Washer
12	2	676650	Lower Bearing
13	2	678034	Lower Hook
14	1	686214	Clevis Pin
15	1	564226	Washer
		672022	Service Kit – Items 1&2
		675856	Service Kit – Item 12

■ If the Faceplate needs replacing, your best value is to order the complete Sideshifter Assembly.

▲ See Cylinder page for parts breakdown.

Reference: S-3420.

# Sideshift Cylinder



REF	QTY	PART NO.	DESCRIPTION
		686243	Cylinder Assembly
1	1	561012	Nut
■ 2	1	662457	Seal
3	1	564562	Spacer – Head
■ 4	1	2718	O-Ring
5	1	561427	Piston
6	1	561419	Shell
7	1	561422	Rod
8	1	561428	Retainer
■ 9	1	2791	O-Ring
■ 10	1	615134	Back-up Ring
■ 11	1	662449	Seal
12	1	561429	Retaining Ring
13	1	7215	Snap Ring
■ 14	1	626468	Wiper
15	1	---	Spacer – Rod
		561430	Service Kit

■ Included in Service Kit 561430.

Ref: S-6053, S-6054

**Do you have questions you need answered right now?** Call your nearest Cascade Parts Department.

**Cascade Corporation**  
2501 Sheridan Avenue  
Springfield, OH 45505  
Tel: 888-CASCADE (227-2233)  
FAX: 888-329-0234  
www.cascorp.com

**Cascade Canada Inc.**  
5570 Timberlea Blvd.  
Mississauga, Ontario  
Canada L4W-4M6  
Tel: 905-629-7777  
FAX: 905-629-7785

**Cascade GmbH**  
D-41199 Monchengladbach  
Klosterhofweg 52  
Germany  
Tel: 21-66-602091  
FAX: 21-66-680947

**Cascade Finland**  
01370 Vantas  
Finland  
Tel: 358-0-836-1925  
FAX: 358-0-836-1935

**Cascade N.V.  
European Headquarters**  
P.O. Box 3009  
1300 El Almere  
Damsluisweg 56  
1332 ED Almere  
The Netherlands  
Tel: 31-36-5492911  
FAX: 31-36-5492964

**Cascade N.V.  
Benelux Sales and Service**  
P.O. Box 3009  
1300 El Almere  
Damsluisweg 56  
1332 ED Almere  
The Netherlands  
Tel: 31-36-5492950  
FAX: 31-36-5492974

**Cascade (UK) Ltd.**  
15, Orgreave Crescent  
Dore House Industrial Estate  
Handsworth  
Sheffield S13 9NQ  
England  
Tel: 742-697524  
FAX: 742-695121

**Cascade Scandinavia  
Hydraulik A.B.**  
Muskötgatan 19, E8-9  
S25466 Helsingborg  
Sweden  
Tel: 42-151135  
FAX: 42-152997

**Cascade Norway**  
Østerliveien 37A  
1153 Oslo  
Norway  
Tel: 47-22-743160  
FAX: 47-22-743157

**Cascade France S.A.R.L.**  
11, Rue Jean Charcot  
Zone Industrielle Sud or  
B.P. 22  
91421 Morangis Cedex  
France  
Tel: 1- 64547501  
FAX: 1-9790584

**Cascade Hispania S.A.**  
Avenida De La Fabregada, 7  
Hospitalet De Llobregat  
Barcelona  
Spain  
Tel: 3-335-5158  
FAX: 3-335-4756

**Cascade Japan Ltd.**  
5-5-41,  
Torikai Kami  
Settsu, Osaka  
Japan, 566  
Tel: 81-726-53-3490  
FAX: 81-726-53-3497

**Cascade Korea**  
Room 508, Pum Yang Bldg.  
750-14, Bang Bac-Dong  
Se-Cho Ku, Seoul  
Korea  
Tel: 2599-7131 ext. 512  
FAX: 2533-8089

**HYCO-Cascade Pty. Ltd.**  
1445 Ipswich Road  
Rocklea,  
Queensland 4107  
Australia  
Tel: 3-274-2722  
FAX: 3-274-3456

**HYCO-Cascade (NZ) Ltd.**  
15 Ra Ora Drive, East Tamaki  
P.O. Box 38-440  
Howick, Auckland  
New Zealand  
Tel: 9-273-9136  
FAX: 9-273-9137

**Cascade (Africa) Pty. Ltd.**  
P.O. Box 625, Isando 1600  
60A Steel Road  
Sparton, Kempton Park  
South Africa  
Tel: 975-9240  
FAX: 394-1147

**Cascade-Xiamen**  
Wanshan No. 1 Workshop  
Huli Road  
Xiamen 361006  
Fujian, PRC  
Tel: 592-562-4600  
FAX: 592-562-4671

**Cascade (Singapore)  
Trading Co.**  
Four Seasons Park  
Autumn Block - Apt. 1802  
12 Cascaden Walk  
Singapore  
Tel: 65-834-1935  
FAX: 65-834-1936

