

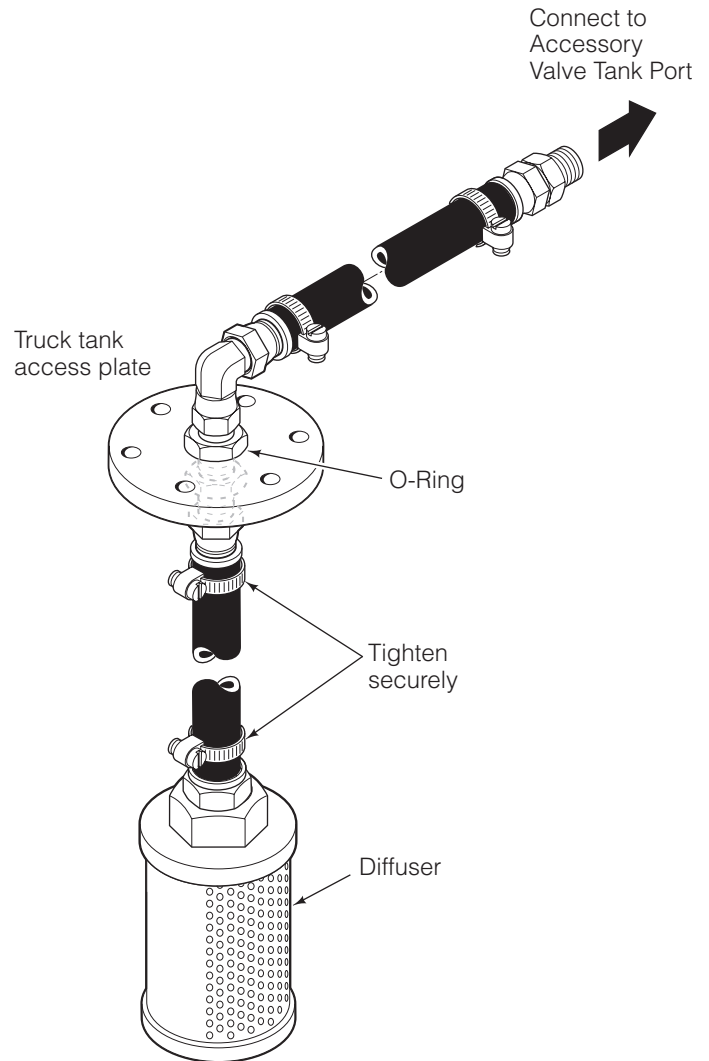
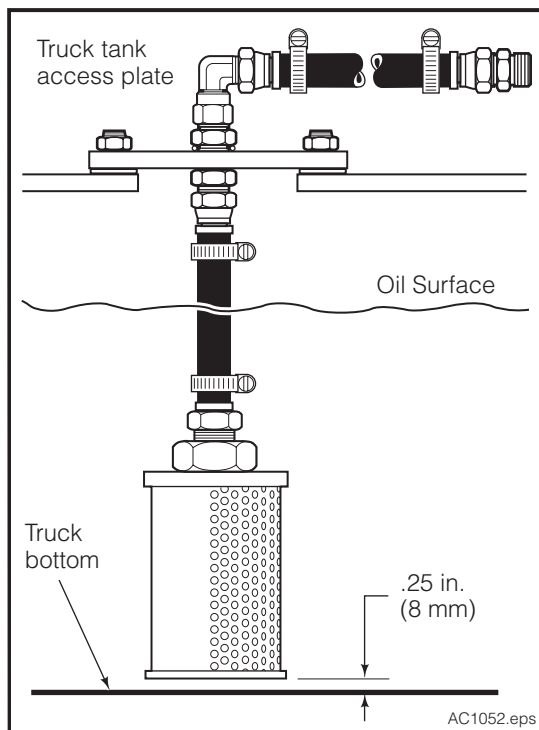


# Installation Instruction

## Universal Low Pressure Tank Line Kit 6046144

This sheet provides installation instructions and replacement parts list for Cascade Tank Line Kit 6046144. The kit provides a low pressure return line directly to the top of the truck tank access plate.

- 1 Remove the truck tank access plate.
- 2 Drill a .75 in. (19 mm) hole in the access plate. Install the bulkhead fitting and O-Ring to the access plate.
- 3 Assemble the diffuser, a length of hose and fittings to the bottom of the access plate. Cut the hose length to position the diffuser .25 in. (8 mm) above the tank bottom. Reinstall the access plate to the tank.
- 4 Assemble a length of hose and fittings to run from the access plate fitting to the tank port (T) on an accessory valve.



**NOTE:** This information should not be interpreted as the basis for warranty claims unless so designated.

**cascade**<sup>®</sup>  
**corporation**

**For Technical Support . . .**

Call: 1-800-227-2233 Fax: 1-888-329-8207

Internet: [www.cascorp.com](http://www.cascorp.com)

Write: Cascade Corporation, PO Box 20187, Portland, OR 97294

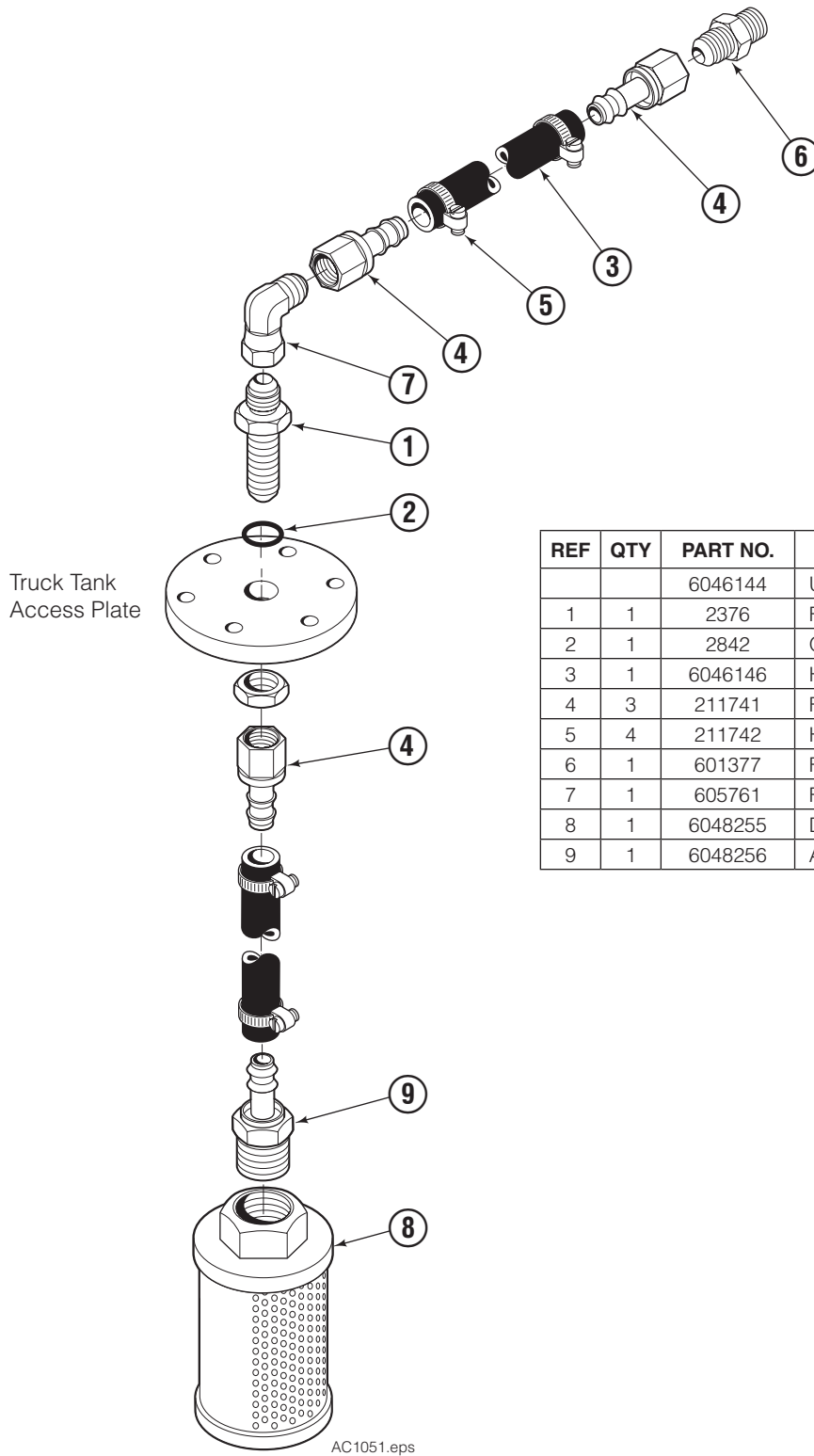
**To Order Parts . . .**

Call: 1-888-227-2233 Fax: 1-888-329-0234

Internet: [www.cascorp.com](http://www.cascorp.com)

Write: Cascade Corporation, 2501 Sheridan Ave., Springfield, OH 45505

# Parts List



REF	QTY	PART NO.	DESCRIPTION
		6046144	Universal Tank Line Kit
1	1	2376	Fitting, 8-8
2	1	2842	O-Ring
3	1	6046146	Hose, .50 in ID x 100 in.
4	3	211741	Fitting, Push-Lok
5	4	211742	Hose Clamp
6	1	601377	Fitting, 8-8
7	1	605761	Fitting, 8-8
8	1	6048255	Diffuser
9	1	6048256	Adapter Fitting