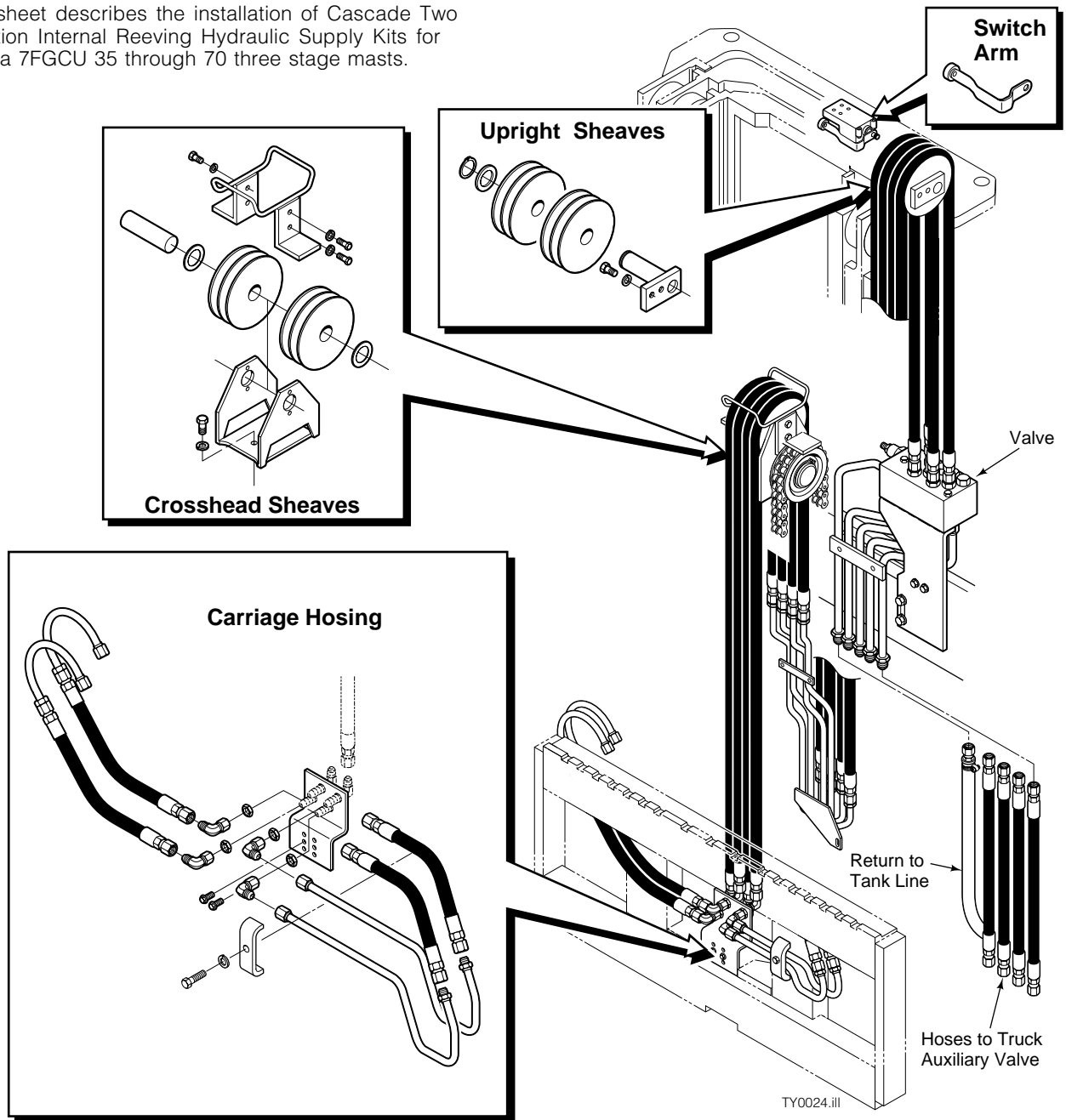




Installation Instructions

Toyota Two Function Internal Reeving Hydraulic Supply Kits

This sheet describes the installation of Cascade Two Function Internal Reeving Hydraulic Supply Kits for Toyota 7FGCU 35 through 70 three stage masts.



cascade[®]
corporation

For Technical Support . . .

Call: 1-800-227-2233

OR

Write: Cascade Corporation, P.O. Box 20187, Portland, OR 97294

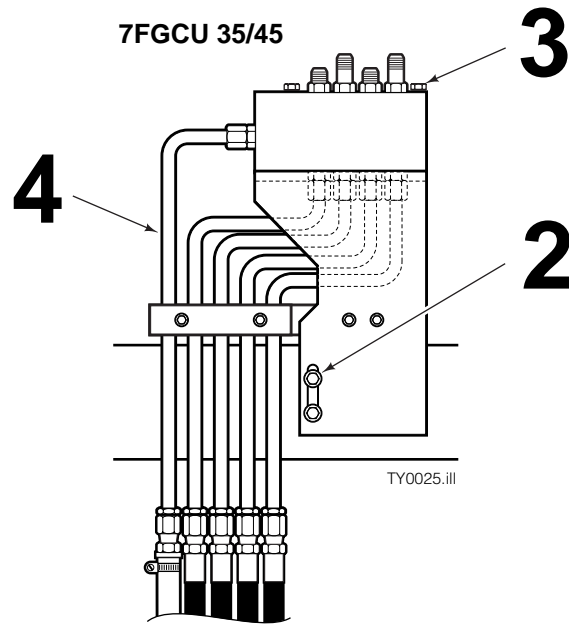
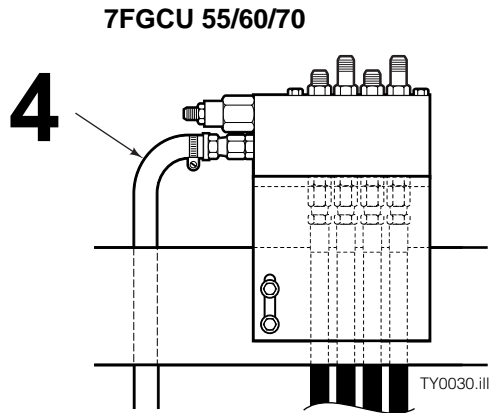
To Order Parts . . .

Call: 1-888-227-2233

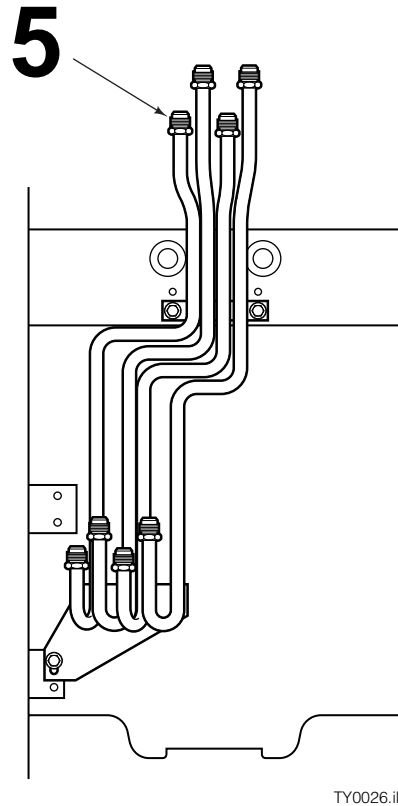
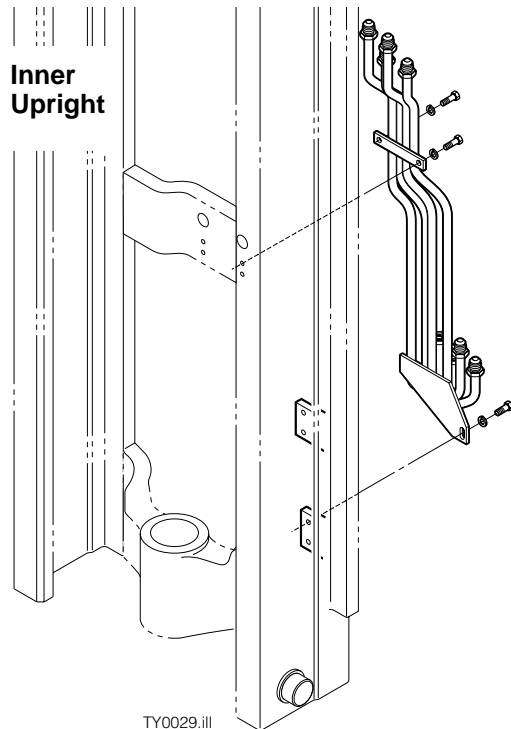
OR

Write: Cascade Corporation, 2501 Sheridan Ave., Springfield, OH 45505

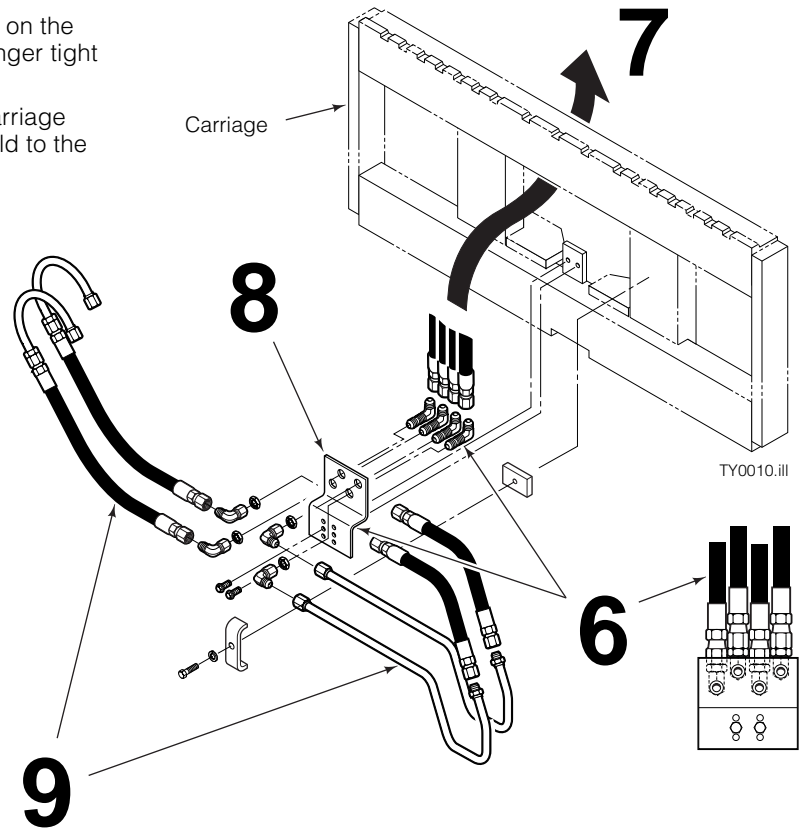
- 1 Raise the inner upright to gain access to the outer upright center crossmember.
- 2 Install the valve mounting plate to the front side of the outer upright center crossmember. Tighten the capscrews to a torque of 16 ft.-lbs. (22 Nm).
- 3 Install the valve to the mounting plate. Tighten the capscrews to a torque of 16 ft.-lbs. (22 Nm).
- 4 **7FGCU 35/45**—Install fittings to the valve. Install tubes and hoses to the valve bottom and side No. 8 fittings. Route the tubes on the front side of the crossmember.
7FGCU 55/60/70—Install fittings to the valve. Install hoses to the valve bottom and side No. 8 fittings.



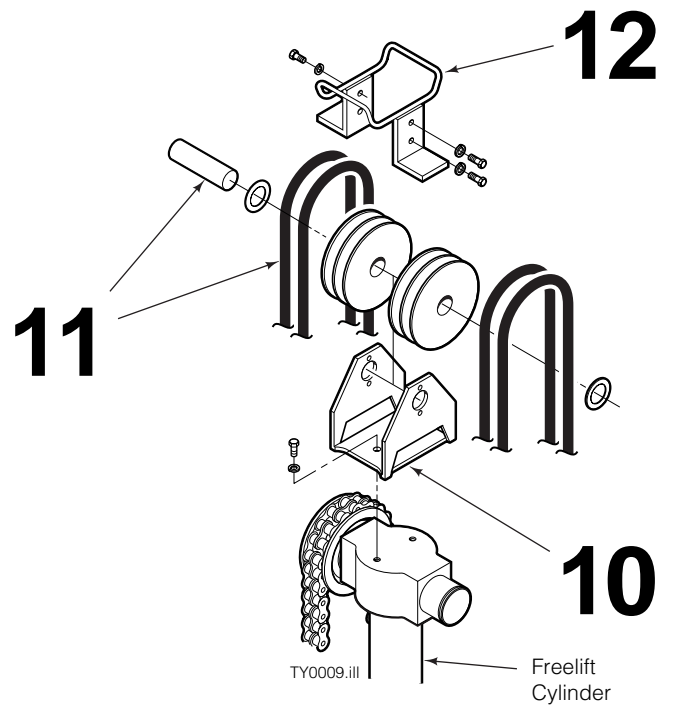
- 5 Install the tube assembly to the back of the inner upright. Tighten the capscrews to a torque of 16 ft.-lbs. (22 Nm).



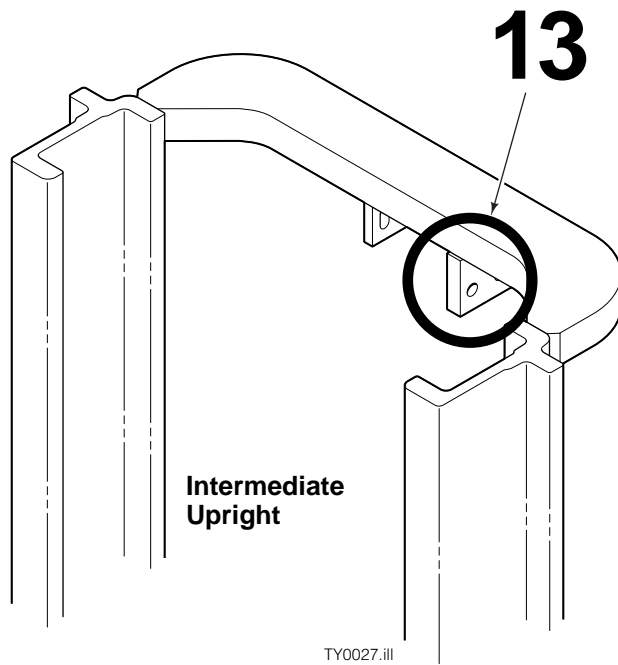
- 6** Install the bulkhead fittings to the carriage bracket. Install the hoses to the bulkhead fittings.
- 7** Route the hose ends through the carriage and up toward the cylinder crosshead.
- 8** Install the carriage bracket to the center tab on the lower carriage bar. Leave the capscrews finger tight for hose adjustment.
- 9** Install the fittings, hoses and tubes to the carriage bracket. Install the tube clamp and tack weld to the carriage.



- 10** Install the crosshead bracket to the freelif cylinder. Tighten the capscrews to a torque of 16 ft.-lbs. (22 Nm).
- 11** Install the sheaves, shaft and hoses to the crosshead bracket. Route the loose hose ends down the back side of the cylinder.
- 12** Install the crosshead guard. Tighten the capscrews to a torque of 16 ft.-lbs. (22 Nm).

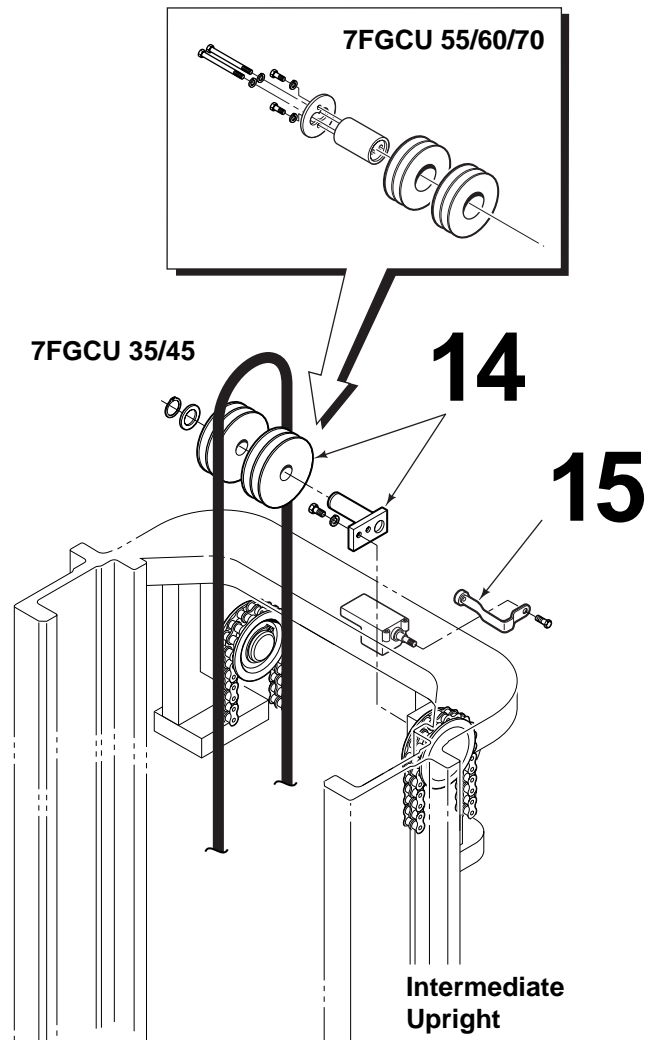


- 13** Remove the bracket from the intermediate upright if necessary to make room for the hose sheave assembly installed in the next step.

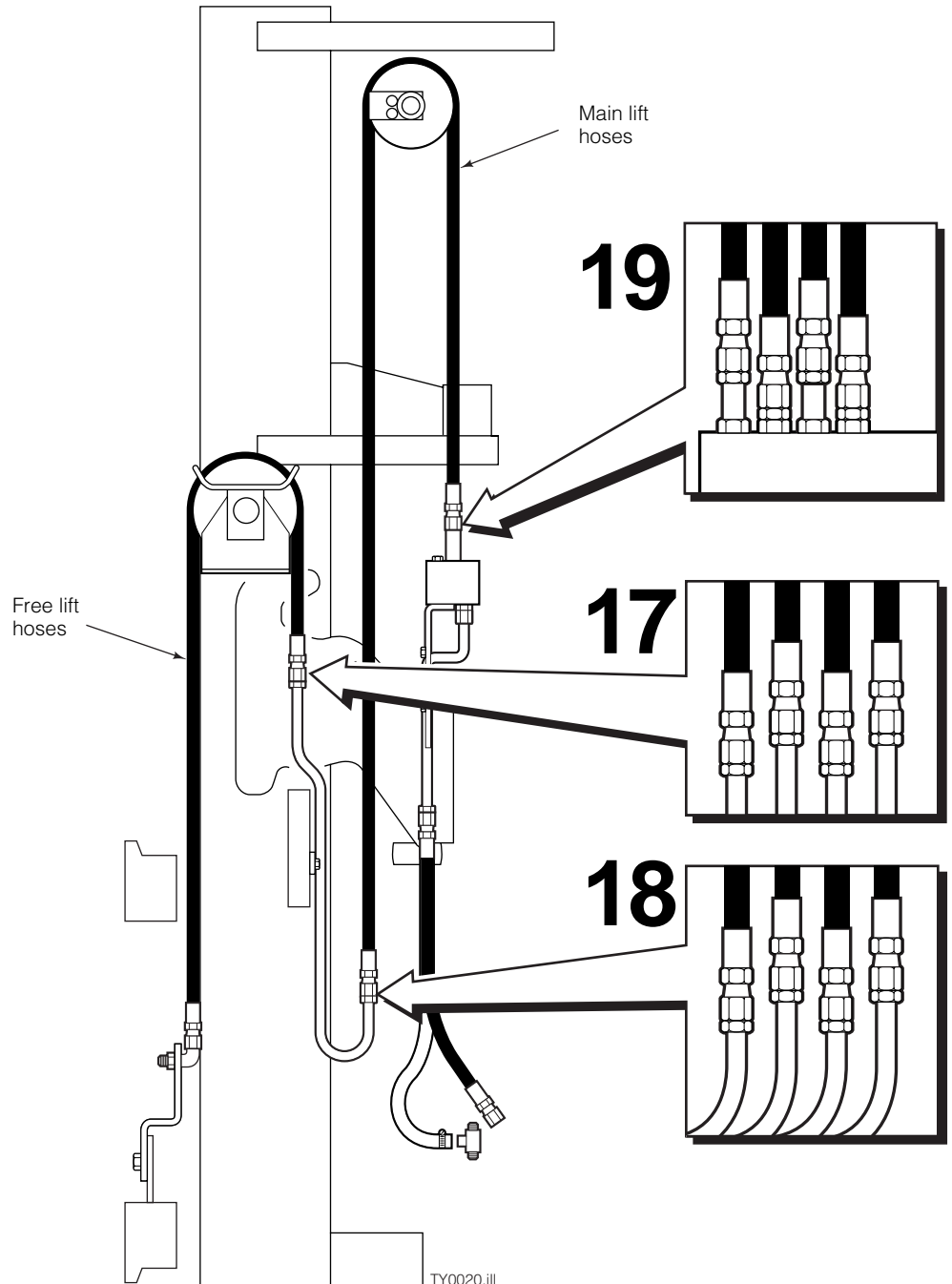


- 14** Install the hose sheave assembly and hoses to the intermediate upright chain sheave stub shaft. Tighten the capscrews to a torque of 16 ft.-lbs. (22 Nm).

- 15** Install the replacement switch arm if included in the kit.



- 16** Raise the carriage 12 in. (30 cm).
- 17** Connect the free lift hoses to the upper fittings of the tube assembly. Connect the hoses to the longer tube fittings first. Lower the carriage.
- 18** Connect the main lift hoses to the lower fittings of the tube assembly. Connect the hoses to the longer tube fittings first.
- 19** Connect the main lift hoses to the valve fittings. Connect the hoses to the shorter fittings first.

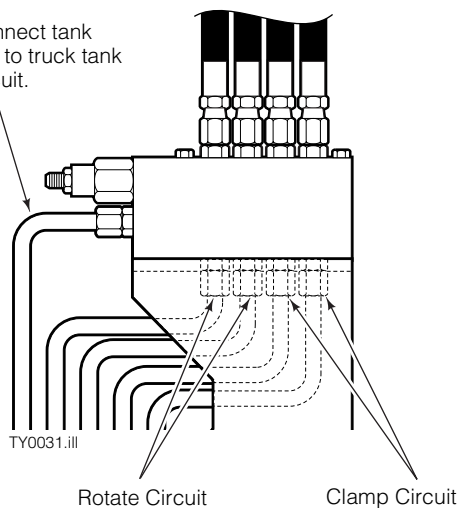


20 Install the valve tank line hose end to the truck tank circuit.

21 Install the hose ends from the bottom of the valve to the truck auxiliary valve circuit.

20

Connect tank line to truck tank circuit.



21

Connect hoses to truck auxiliary valve.

Hose Adjustment

1 Raise and lower the mast slowly through several cycles checking for proper hose alignment, clearances and hose tracking.

2 Adjust the free lift hose tension by adjusting the carriage bracket position.

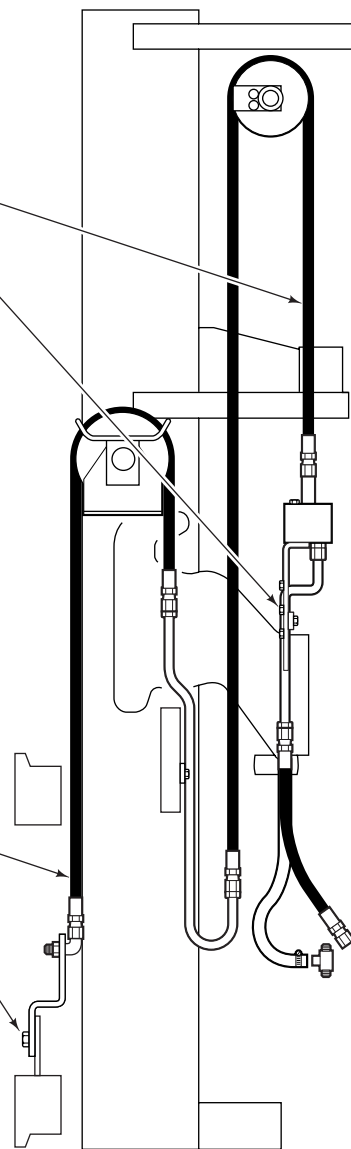
3 Adjust the main lift hose tension by adjusting the valve bracket position.

3

Main lift hoses

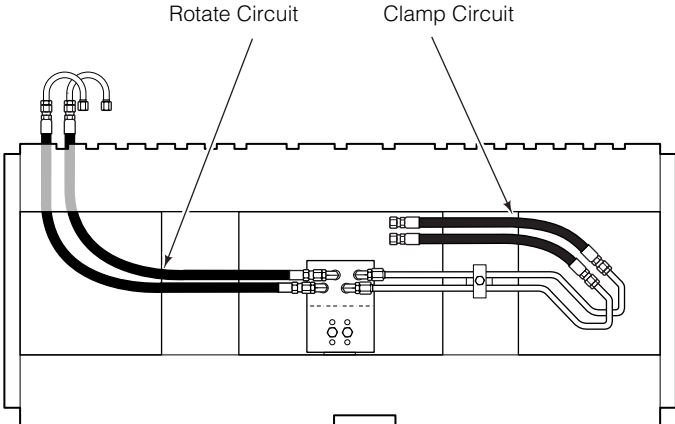
2

Free lift hoses



Hydraulic Functions

Connect the attachment functions to the supply hose fittings as shown.



TY0019.iii

Do you have questions you need answered right now? Call your nearest Cascade Service Department.

**Cascade Corporation
U.S. Headquarters**
2201 NE 201st
Fairview, OR 97024-9718
Tel: 800-CASCADE (227-2233)
FAX: 888-329-8207

Cascade Canada Inc.
5570 Timberlea Blvd.
Mississauga, Ontario
Canada L4W-4M6
Tel: 905-629-7777
FAX: 905-629-7785

Cascade GmbH
D-41199 Monchengladbach
Klosterhofweg 52
Germany
Tel: 49-216-668230
FAX: 49-216-6682323

Cascade Finland
Albert Petreliuksenkatu 3
01370 Vantaa
Finland
Tel: 358-9-836-1925
FAX: 358-9-836-1935

**Cascade N.V.
European Headquarters**
P.O. Box 3009
1300 El Almere
Damsluisweg 56
1332 ED Almere
The Netherlands
Tel: 31-36-5492911
FAX: 31-36-5492964

**Cascade N.V.
Benelux Sales and Service**
P.O. Box 3009
1300 El Almere
Damsluisweg 56
1332 ED Almere
The Netherlands
Tel: 31-36-5492950
FAX: 31-36-5492974

Cascade (UK) Ltd.
15, Orgreave Crescent
Dore House Industrial Estate
Handsworth
Sheffield S13 9NQ
England
Tel: 742-697524
FAX: 742-695121

Cascade Scandinavia AB
Box 124
Hammarvägen 10
567 23 Vaggeryd
Sweden
Tel: 42-0-393-36950
FAX: 42-0-393-36959

Cascade Norway
Østerliveien 37A
1153 Oslo
Norway
Tel: 47-22-743160
FAX: 47-22-743157

Cascade France S.A.R.L.
1D Rue De Charaintru
BP 18, 91360 Epinay-Sur-Orge
Morangis Cedex, France
Tel: 33-1-64547500
FAX: 33-1-64547501

Cascade Hispania S.A.
Carrer 5 Sector C
Zona Franca Duanera
Poligono de la Zon Franca
08040 Barcelona, Spain
Office No. 256
Tel: 93-264-07-30
FAX: 93-264-07-31

Cascade Japan Ltd.
5-5-41,
Torikai Kami
Settsu, Osaka
Japan, 566
Tel: 81-726-53-3490
FAX: 81-726-53-3497

Cascade Korea
108B, Namdong Ind Complex
658-3 Gojan-Dong
Namdong-Gu
Inchon, 405-310 Korea
Tel: 82-32-821-2051
FAX: 82-32-821-2055

Cascade Australia
1445 Ipswich Road
Rocklea, QLD 4106
Australia
Tel: 1-800227-223
FAX: (07) 3373-7333

Cascade New Zealand
15 Ra Ora Drive
East Tamaki, Auckland
New Zealand
Tel: 9-273-9136
FAX: 9-273-9137

Cascade (Africa) Pty. Ltd.
P.O. Box 625, Isando 1600
60A Steel Road
Sparton, Kempton Park
South Africa
Tel: 975-9240
FAX: 394-1147

Cascade-Xiamen
No. 668 Yangguant Rd.
Xinyang Industry Zone
Haicant, Xiamen City
Fujian Province
P.R. China 361026
Tel: 86-592-651-2500
FAX: 86-592-651-2571

**Cascade (Singapore)
Trading Co.**
Four Seasons Park
Autumn Block - Apt. 1802
12 Cuscaden Walk
Singapore
Tel: 65-834-1935
FAX: 65-834-1936

