



# Parts Manual

---

Model \_\_\_\_\_ **Fork Positioner**

Catalog Number \_\_\_\_\_ **55K-FPS-A084 R3**

---

**cascade**®  
**corporation**

**For Technical Assistance call:** 800-227-2233, Fax: 888-329-8207

**To Order Parts call:** 888-227-2233, Fax: 888-329-0234

**OR**

**Write:** Cascade Corporation, P.O. Box 20187, Portland, OR 97220

**Internet:** [www.cascorp.com](http://www.cascorp.com)

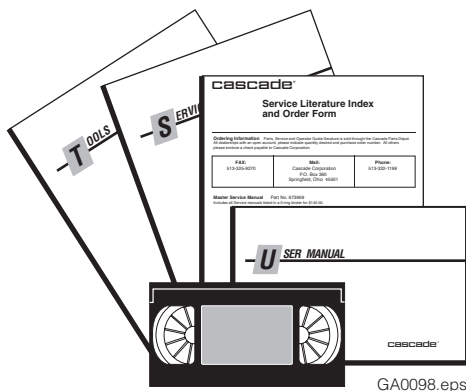


# Recommended Spare Parts

| 55K-Fork Positioner/Sideshifter |                               |                |      |       |
|---------------------------------|-------------------------------|----------------|------|-------|
| PART NUMBER                     | DESCRIPTION                   | UNITS SERVICED |      |       |
|                                 |                               | 1-5            | 6-19 | 20-50 |
| <b>FORK POSITIONER</b>          |                               |                |      |       |
| 6055389                         | Cylinder Internal Service Kit | 0              | 4    | 8     |
| 6055390                         | Composite Bearing Service Kit | 1              | 2    | 4     |
| 6055391                         | Bronze Bearing Service Kit    | 1              | 2    | 4     |
| 6039245                         | Mounting Shims                | 4              | 6    | 8     |
| <b>SIDESHIFTER</b>              |                               |                |      |       |
| ■                               | Upper Bearing                 | 8              | 16   | 32    |
| ■                               | Lower Bearing                 | 6              | 12   | 24    |
| ■                               | Lower Hook                    | 0              | 2    | 4     |
| ■                               | Capscrew                      | 0              | 4    | 8     |
| ■                               | Nut                           | 0              | 4    | 8     |
| 667225                          | Washer                        | 0              | 4    | 8     |
| ■                               | Cylinder Assembly             | 0              | 0    | 1     |
| 219868                          | Cylinder Rod Service Kit      | 1              | 2    | 4     |

■ See specific parts page.

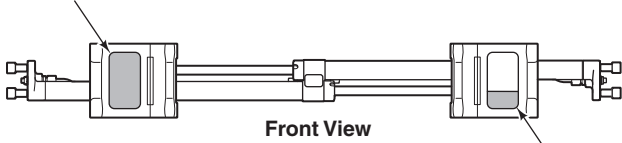
# Publications



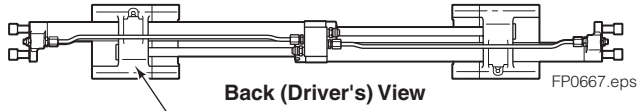
| K-Series |   |
|----------|---|
| PART NO. | DESCRIPTION   |
| 6045671  | User Manual (Operator's Guide, Installation, Periodic Maintenance, Parts) |
| 6053927  | Service Manual  |
| 679929   | Tool Catalog  |
| 673964   | Literature Index Order Form   |

# Fork Positioner Assembly

Sticker showing operating pressure, phone numbers for service & parts.

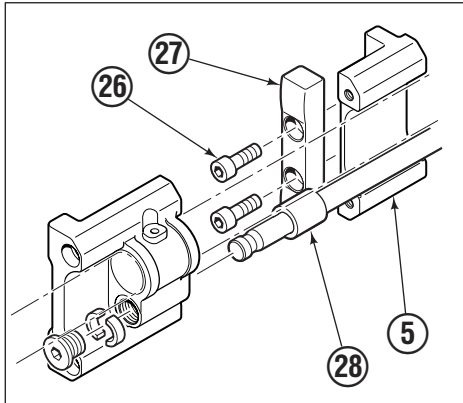
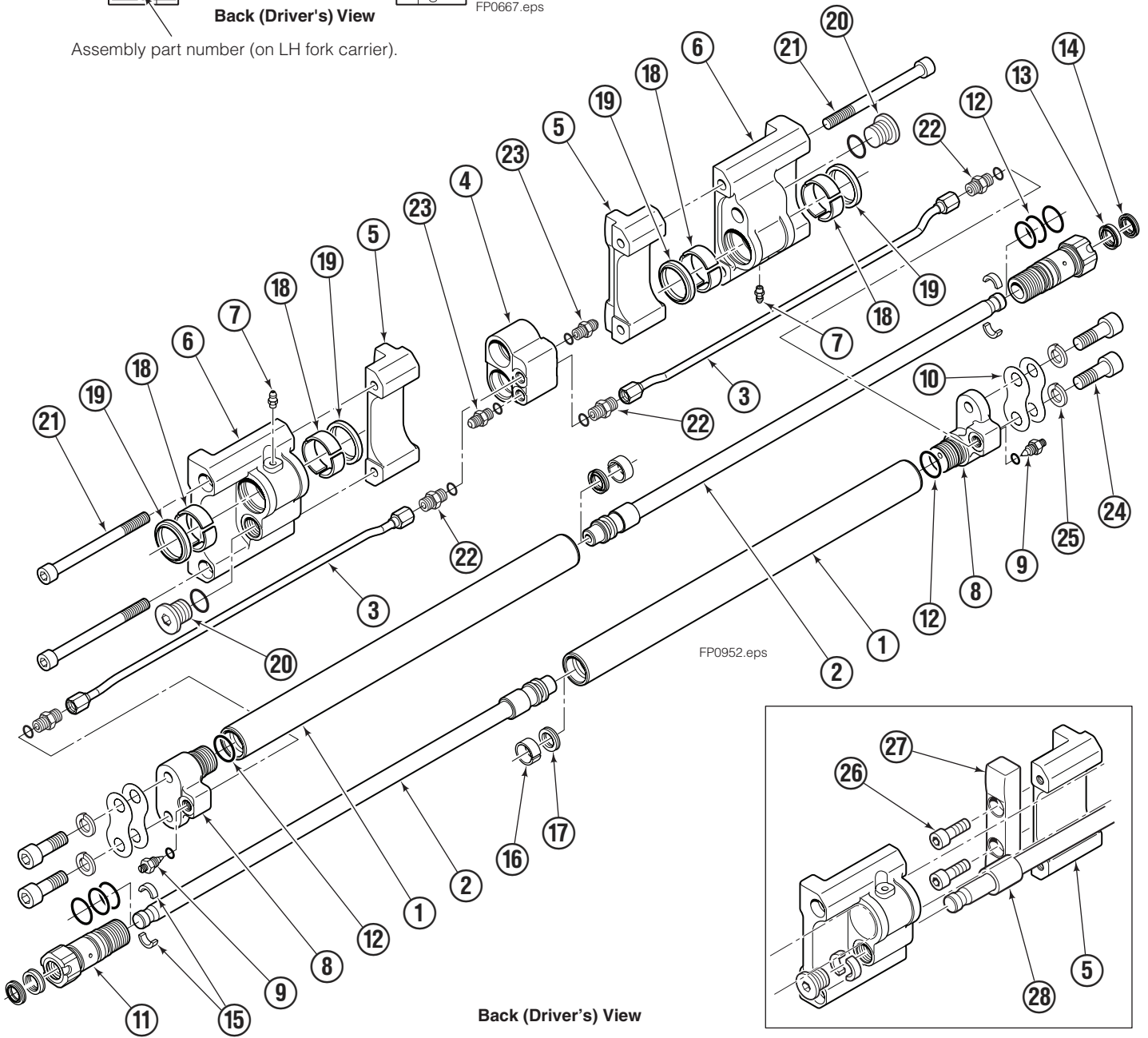


Patent Sticker



FP0667.eps

Assembly part number (on LH fork carrier).



# Fork Positioner Assembly

## Items that vary by width

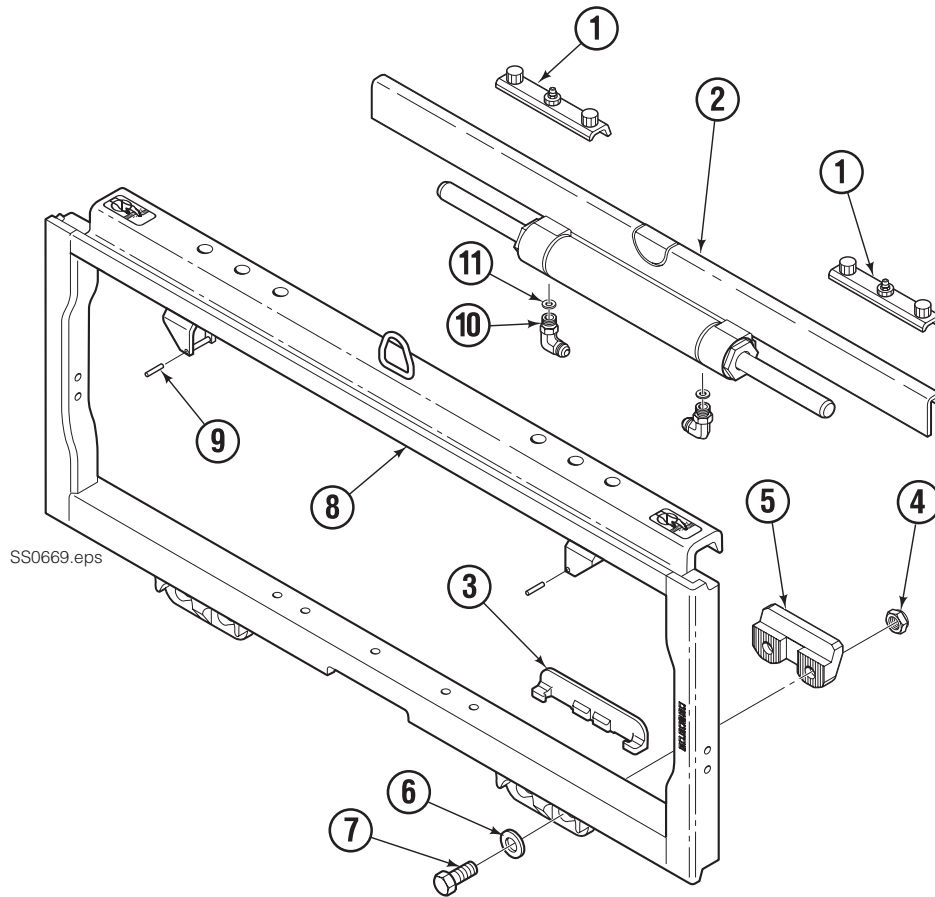
| 55K               |                                 |                               |                       |
|-------------------|---------------------------------|-------------------------------|-----------------------|
| ASSEMBLY PART NO. | REF. NO. 1 CYLINDER SHELL QTY 2 | REF. NO. 2 CYLINDER ROD QTY 2 | REF. NO. 3 TUBE QTY 2 |
| 6054926           | 6054927 ★                       | 6054928 ★                     | 6054930               |

| REF | QTY | PART NO. | DESCRIPTION                                 |
|-----|-----|----------|---|
|     |     | 6045406  | Common Parts Group ◆                        |
| 4   | 1   | 6043391  | Manifold                                    |
| 5   | 2   | 6042443  | Fork Carrier, Inner, 80/100 mm Fork         |
|     | 2   | 6052301  | Fork Carrier, Inner, 80/100/122 mm Fork ❖ ■ |
| 6   | 2   | 6042449  | Fork Carrier, Outer                         |
| 7   | 2   | 424115   | Grease Fitting                              |
| 8   | 2   | 6052709  | Cylinder Head End                           |
| 9   | 2   | 6042658  | Restrictor Fitting                          |
| 10  | 4   | 6039245  | Shim  |
| 11  | 2   | 6039028  | Cylinder Retainer                           |
|     | 2   | 6055787  | Cylinder Retainer w/Seals (Items 12-14)     |
| 12  | 8   | 666183   | O-Ring, Retainer OD ✖                       |
| 13  | 2   | 6039179  | Rod Seal, Retainer ✖                        |
| 14  | 2   | 6039180  | Rod Wiper, Retainer ✖                       |
| 15  | 4   | 6042830  | Half-Ring Keeper                            |
| 16  | 2   | 6039172  | Piston Wear Ring ✖                          |
| 17  | 2   | 6047577  | Piston Seal ✖                               |
| 18  | 12  | 6039171  | Bearing, Composite ✓                        |
| 19  | 4   | 6043341  | Shell Wiper ✓                               |
| 20  | 2   | 6043316  | Rod Retainer Plug                           |
| 21  | 4   | 768824   | Capscrew, M10 x 120                         |
| 22  | 4   | 6042689  | Fitting, M10 to 6 mm EO-2                   |
| 23  | 2   | 6043332  | Fitting, M10 to No.4 JIC ●                  |
|     | 2   | 6053537  | Fitting, M10 to No. 4 ORFS ▼                |
| 24  | 4   | 769572   | Capscrew, M12 x 35 ■                        |
| 25  | 4   | 684660   | Lockwasher, M12 ■                           |
| 26  | 4   | 767615   | Capscrew, M12 x 25                          |
| 27  | 2   | 6052315  | Spacer Bar                                  |
| 28  | 2   | 6054755  | Rod Spacer ❖                                |

- ◆ Includes items 4-22.
- ★ If cylinder shell or rod needs replacing due to bending damage, order complete Fork Positioner Assembly.
- ❖ Included in Retrofit Kit 6054753, converts 3 & 4 in. (80 & 100 mm) fork carrier to 5 in. (122 mm) fork carrier.
- Used with items 26 and 27 to fit 4 in. (100 mm) forks.
- ✖ Included in Cylinder Service Kit 6055389.
- ✓ Included in Composite Bearing Service Kit 6055390.
- Included in Fitting Group 6045440.
- ▼ Included in Fitting Group 6053538.
- Included in Mounting Kit 6045442.

Reference: SK-8117, SK-8277.

# Sideshift Assembly



SS0669.eps

| 55F |     |          |                 |     |     |          |                             |
|-----|-----|----------|-----------------|-----|-----|----------|-----------------------------|
| REF | QTY | PART NO. | DESCRIPTION     | REF | QTY | PART NO. | DESCRIPTION                 |
| 1   | 2   | 228782   | Upper Bearing   | 7   | 4   | 639121   | ◆ Capscrew. 5/8 x 1.50 (or) |
| 2   | 1   | 6025684  | Cylinder ▲      |     | 4   | 752903   | ◆ Capscrew, M16 x 45        |
| 3   | 2   | 6000719  | Lower Bearing   | 8   | 1   | 6054980  | Frame ●                     |
| 4   | 4   | 553857   | ◆ Nut, 5/8 (or) | 9   | 2   | 7890     | Roll Pin                    |
|     | 4   | 781534   | ◆ Nut, M16      | 10  | 2   | 601676   | ■ Fitting, 6-6              |
| 5   | 2   | 204186   | ◆ Lower Hook    | 11  | 2   | 221733   | ▼ Restrictor Washer         |
| 6   | 4   | 667225   | ◆ Washer        |     |     |          |                             |

▲ See Cylinder page for parts breakdown.

◆ Included in Lower Hook Group 204182.

Reference: Common Parts Group 219614,

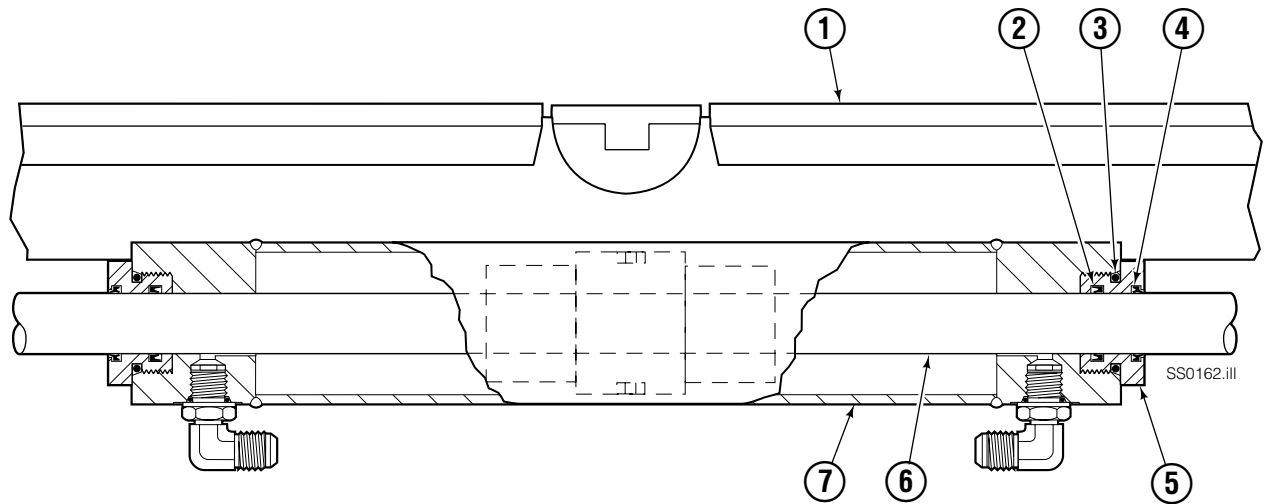
S-22752 - Type 1.

● If the Frame needs replacing, your best value is to order the complete Sideshift Assembly.

■ Included in Fitting Group 204179.

▼ Included in Restrictor Group 221732.

# Cylinder



| 55F |     |          |                       |
|-----|-----|----------|-----------------------|
| REF | QTY | PART NO. | DESCRIPTION           |
| 1   | 1   | 6025684  | Cylinder Assembly     |
| 2   | 2   | 562132   | ● Rod Seal            |
| 3   | 2   | 415866   | ● O-Ring, 70 Duro     |
| 4   | 2   | 562131   | ● Rod Wiper Seal      |
| 5   | 2   | 218324   | Retainer/Seal Carrier |
| 6   | -   | ■        | Rod/Piston Assembly   |
| 7   | -   | ■        | Cylinder Shell        |
|     |     | 219868   | Rod Seal Service Kit  |

● Included in Service Kit 219868.

■ Not serviceable, order new Cylinder Assembly.

Reference: S-21006.





**Do you have questions you need answered right now?** Call your nearest Cascade Parts Department. Visit us online at [www.cascorp.com](http://www.cascorp.com)

**Cascade Corporation  
U.S. Headquarters**  
2201 NE 201st  
Fairview, OR 97024-9718  
Tel: 800-CASCADE (227-2233)  
FAX: 888-329-8207

**Cascade Canada Inc.**  
5570 Timberlea Blvd.  
Mississauga, Ontario  
Canada L4W-4M6  
Tel: 905-629-7777  
FAX: 905-629-7785

**Cascade GmbH**  
Niederwippekühl 1  
58579 Schalksmühle  
Germany  
Tel: 02355-50900  
FAX: 02355-509020

**Cascade Finland**  
A. Petreliuksenkatu 3  
01370 Vantaa  
Finland  
Tel: 09-8361925  
FAX: 09-8361935

**Cascade N.V.  
Benelux Sales and Service**  
Damsluisweg 56  
PO Box 3009  
1300 El Almere  
The Netherlands  
Tel: 036-5492950  
FAX: 036-5492974

**Cascade Kenhar Ltd.**  
3 Kelbrook Road  
Parkhouse Ind. Estate  
Openshaw,  
Manchester M11 2DD  
England  
Tel: 0800-243015  
FAX: 0161-4384055

**Sales Scotland  
Macade Systems Ltd.**  
18 Melford Road  
Righead Ind. Estate  
Bellshill ML4 3LR  
Scotland  
Tel: 01698-845777  
FAX: 01698-845888

**Cascade (Africa) Pty. Ltd.**  
PO Box 625, Isando 1600  
60A Steel Road  
Sparton, Kempton Park  
South Africa  
Tel: 27-11-975-9240  
FAX: 27-11-394-1147

**Cascade Scandinavia AB**  
Hammarvägen 10  
PO Box 124  
S-56723 Vaggeryd  
Sweden  
Tel: 039-336950  
FAX: 039-336959

**Cascade France  
S.A.R.L. MHP**  
1D Rue De Charaintru BP 18,  
91360 Epinay-Sur-Orge  
France  
Tel: 01-6454-7500  
FAX: 01-6454-7501

**Cascade Hispania S.A.**  
Carrer 5, Sector C  
Zona Franca Duanera  
Poligono de la Zona Franca  
08040 Barcelona, Spain  
Tel: 93-264-07-30  
FAX: 93-264-07-31

**Cascade Italia S.R.L.**  
Via Dell'Artigianato 1  
37050 Vago di Lavagno (VR)  
Italy  
Tel: 39-045-8989111  
FAX: 39-045-8989160

**Movimenta Lda.**  
Parque Industrial  
Vale do Alecrim, Lote 108  
2950-403 Palmela  
Portugal  
Tel: 351-212387340  
FAX: 351-212387349

**Sales Switzerland  
Fahrzeugbedarf**  
8810, Horgen  
Switzerland  
Tel: 01-7279797  
FAX: 01-7279798

**Sales Poland**  
Targowa 35/61  
03-728 Warszawa  
Tel: 022-619 00 49  
FAX: 022-619 00 49  
Mobile Tel: 0501-27 29 55

**Sales Russia**  
EMCG Material Handling  
Equipment  
Moscow  
Tel: 095-795-2400  
FAX: 095-795-2475  
Email: [emcg@emcg.ru](mailto:emcg@emcg.ru)

**Cascade Japan Ltd.**  
5-5-41,  
Torikai Kami  
Settsu, Osaka  
Japan, 566  
Tel: 81-726-53-3490  
FAX: 81-726-53-3497

**Cascade Korea**  
121B 9L Namdong Ind.  
Complex, 691-8 Gojan-Dong  
Namdong-Ku  
Inchon, 405-310 Korea  
Tel: 82-32-821-2051  
FAX: 82-32-821-2055

**Cascade Australia**  
1445 Ipswich Road  
Rocklea, QLD 4107  
Australia  
Tel: 1-800-227-223  
FAX: 617-3373-7333

**Cascade New Zealand**  
15 Ra Ora Drive  
East Tamaki, Auckland  
New Zealand  
Tel: 64-9-273-9136  
FAX: 64-9-273-9137

**Cascade-Xiamen**  
No. 668 Yangguang Rd.  
Xinyang Industrial Zone  
Haicang, Xiamen City  
Fujian Province  
P.R. China 361026  
Tel: 86-592-651-2500  
FAX: 86-592-651-2571

**Sunstream Industries  
Pte Ltd.**  
No. 3 Tuas Link 1  
2263  
Singapore  
Tel: 65-6863-3488  
FAX: 65-6863-1368

**Cascade do Brasil  
Distribuidora de Garras  
e Garfos LTDA**  
Rua João Guerra, 134  
Macuco, Santos - SP  
Brasil 11015-130  
Tel: 55-13-2105-8800  
Fax: 55-13-2105-8899

