



# Parts Manual

---

Model Carton Clamp

Serial Number 30E-CCS-Q032R0

---

**cascade**<sup>®</sup>  
corporation

**For Technical Assistance call:** 800-227-2233, Fax: 888-329-8207

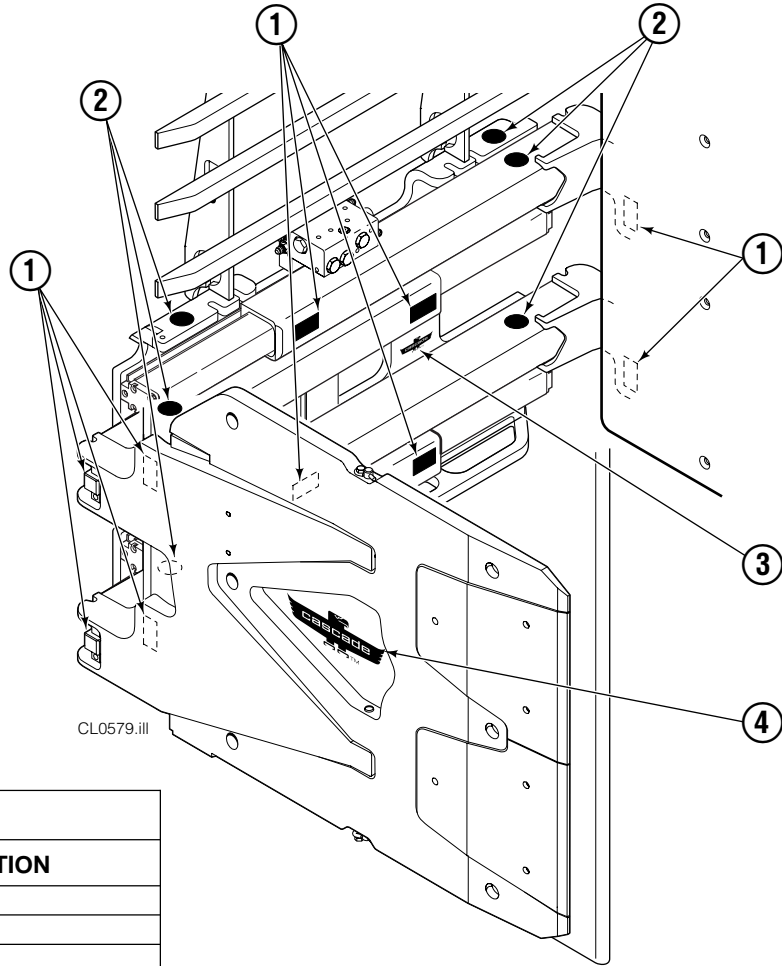
**To Order Parts call:** 888-227-2233, Fax: 888-329-0234

**OR**

**Write:** Cascade Corporation, P.O. Box 20187, Portland, OR 97220

**Internet:** [www.cascorp.com](http://www.cascorp.com)

# Decals



CL0579.ill

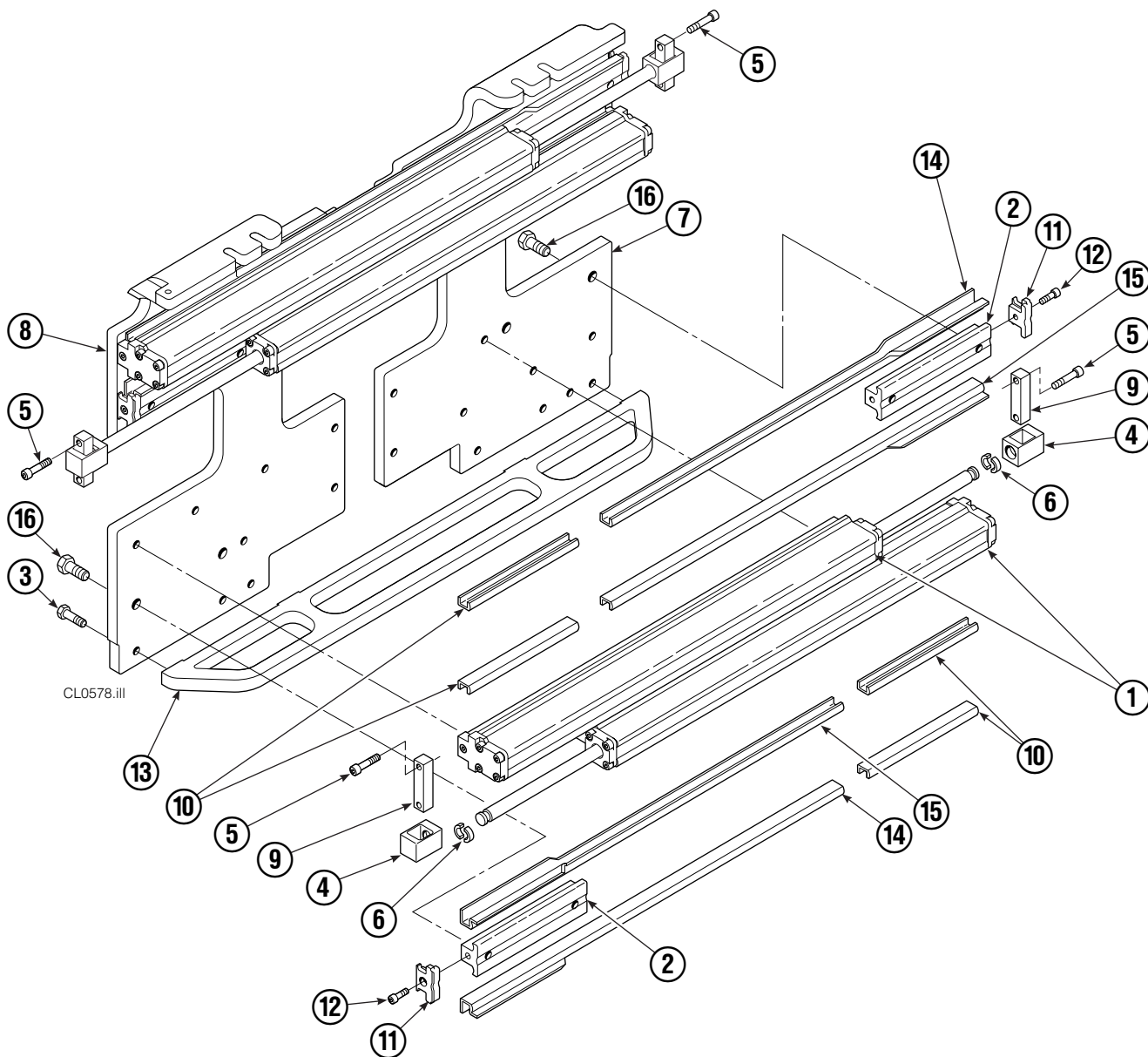
| 30E |     |          |                    |
|-----|-----|----------|--------------------|
| REF | QTY | PART NO. | DESCRIPTION        |
| 1   | 12  | 665595   | No Hand Hold Decal |
| 2   | 6   | 679150   | No Step Decal      |
| 3   | 1   | 211274   | Eagle - 80 mm      |
| 4   | 2   | 211276   | Eagle - 240 mm     |

# Publications



| 30E      |                             |
|----------|-----------------------------|
| PART NO. | DESCRIPTION                 |
|          | Parts Manual                |
| 215204   | Service Manual              |
| 210273   | Operator's Guide            |
| 212116   | Installation Instructions   |
| 679929   | Tool Catalog                |
| 673964   | Literature Index Order Form |

# Base Unit Group



| 30E |     |          |                            |     |     |          |                            |
|-----|-----|----------|----------------------------|-----|-----|----------|----------------------------|
| REF | QTY | PART NO. | DESCRIPTION                | REF | QTY | PART NO. | DESCRIPTION                |
|     |     | 217495   | Base Unit Group            | 9   | 4   | 210489   | Rod End Anchor ●           |
| 1   | 4   | 210117   | Cylinder ▲                 | 10  | 8   | 213735   | Bearing Spacer             |
| 2   | 4   | 217001   | T-Bar                      | 11  | 4   | 210140   | Bearing Retainer           |
| 3   | 28  | 211689   | Capscrew, M12 x 30 GR 10.9 | 12  | 4   | 787375   | Capscrew, M8 x 20          |
| 4   | 4   | 209741   | Rod End ●                  | 13  | 1   | 212500   | Bumper                     |
| 5   | 8   | 768303   | Capscrew, M10 x 35 ●       | 14  | 4   | 209120   | Bearing                    |
| 6   | 8   | 210490   | Retainer Half Ring ●       | 15  | 4   | 209119   | Bearing                    |
| 7   | 1   | 216997   | Baseplate – LH             | 16  | 8   | 211128   | Capscrew, M16 x 30 GR 10.9 |
| 8   | 1   | 216998   | Baseplate – RH             |     |     | 213856   | Service Kit                |

▲ See Cylinder page for parts breakdown.

● Included in Cylinder Rod Anchor Kit 213856.

Reference: SK-6089.

# Cylinder



| 30E |     |          |                   |     |     |          |                |
|-----|-----|----------|-------------------|-----|-----|----------|----------------|
| REF | QTY | PART NO. | DESCRIPTION       | REF | QTY | PART NO. | DESCRIPTION    |
|     |     | 210117   | Cylinder Assembly | 8   | 2   | 210053   | O-Ring ▲       |
| 1   | 1   | 210118   | Cylinder/Shell    | 9   | 2   | 210050   | Back-Up Ring ▲ |
| 2   | 1   | 4157-820 | Rod               | 10  | 1   | 212477   | Seal ▲         |
| 3   | 1   | 213783   | Cap               | 11  | 1   | 209808   | Seal ▲         |
| 4   | 8   | 768208   | Capscrew, M8 x 25 | 12  | 2   | 214053   | O-Ring ▲       |
| 5   | 1   | 209809   | Bearing ▲         | 13  | 1   | 562131   | Wiper ▲        |
| 6   | 1   | 787375   | Capscrew, M8 x 20 |     |     | 210090   | Service Kit    |
| 7   | 1   | 212452   | Retainer          |     |     |          |                |

▲ Included in Service Kit 210090.

Reference: S-4644, S-4643.

# Hydraulic Group



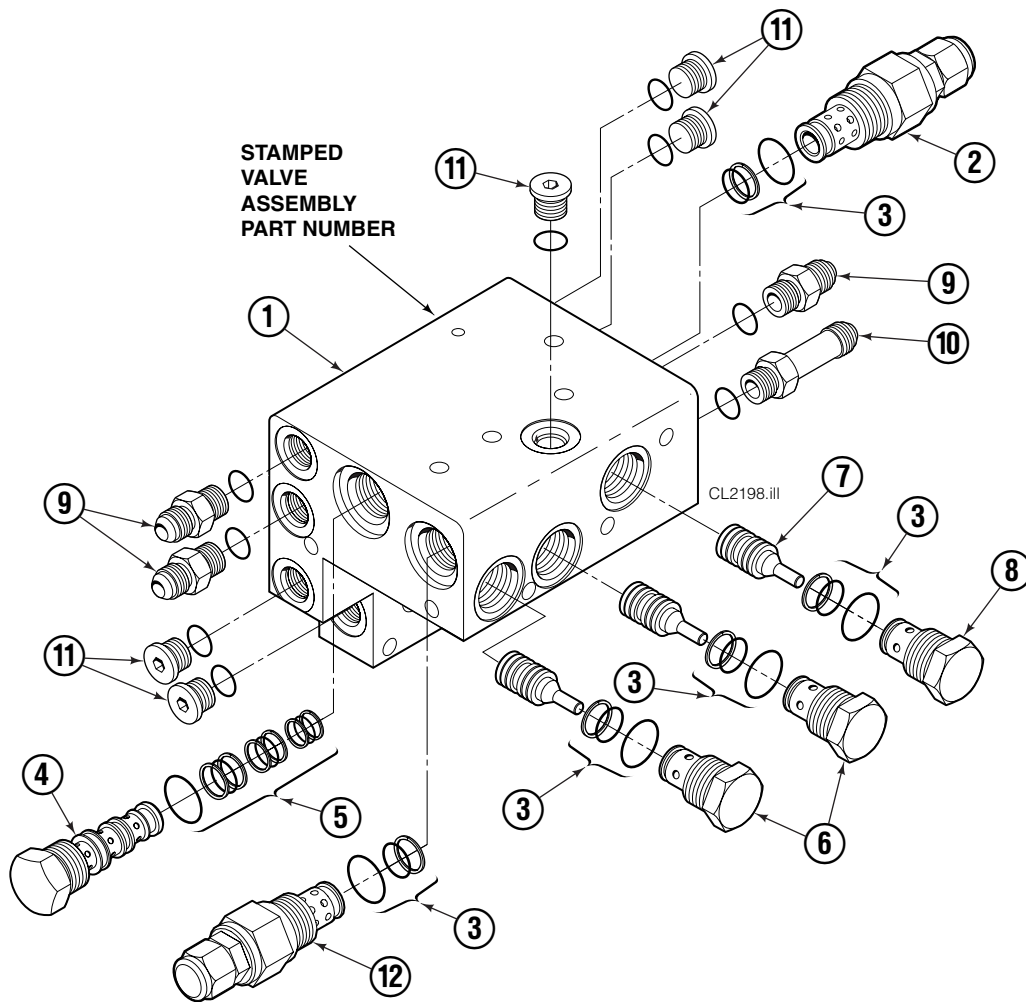
| 30E |     |          |                      |
|-----|-----|----------|----------------------|
| REF | QTY | PART NO. | DESCRIPTION          |
|     |     | 215872   | Hydraulic Group      |
|     |     | 212983   | Manifold Group       |
| 1   | 1   | 215873   | Valve Assembly ▲     |
| 2   | 6   | 768208   | Capscrew, M8 x 25    |
| 3   | 2   | 768797   | Capscrew, M8 x 40    |
| 4   | 2   | 768800   | Capscrew, M8 x 60    |
| 5   | 11  | 214053   | O-Ring, 90 Durometer |
| 6   | 1   | 212974   | Manifold             |

▲ See Valve page for parts breakdown,  
part number stamped on valve.

Reference: SK-6090.

# Valve

## Sideshifting Without Regeneration

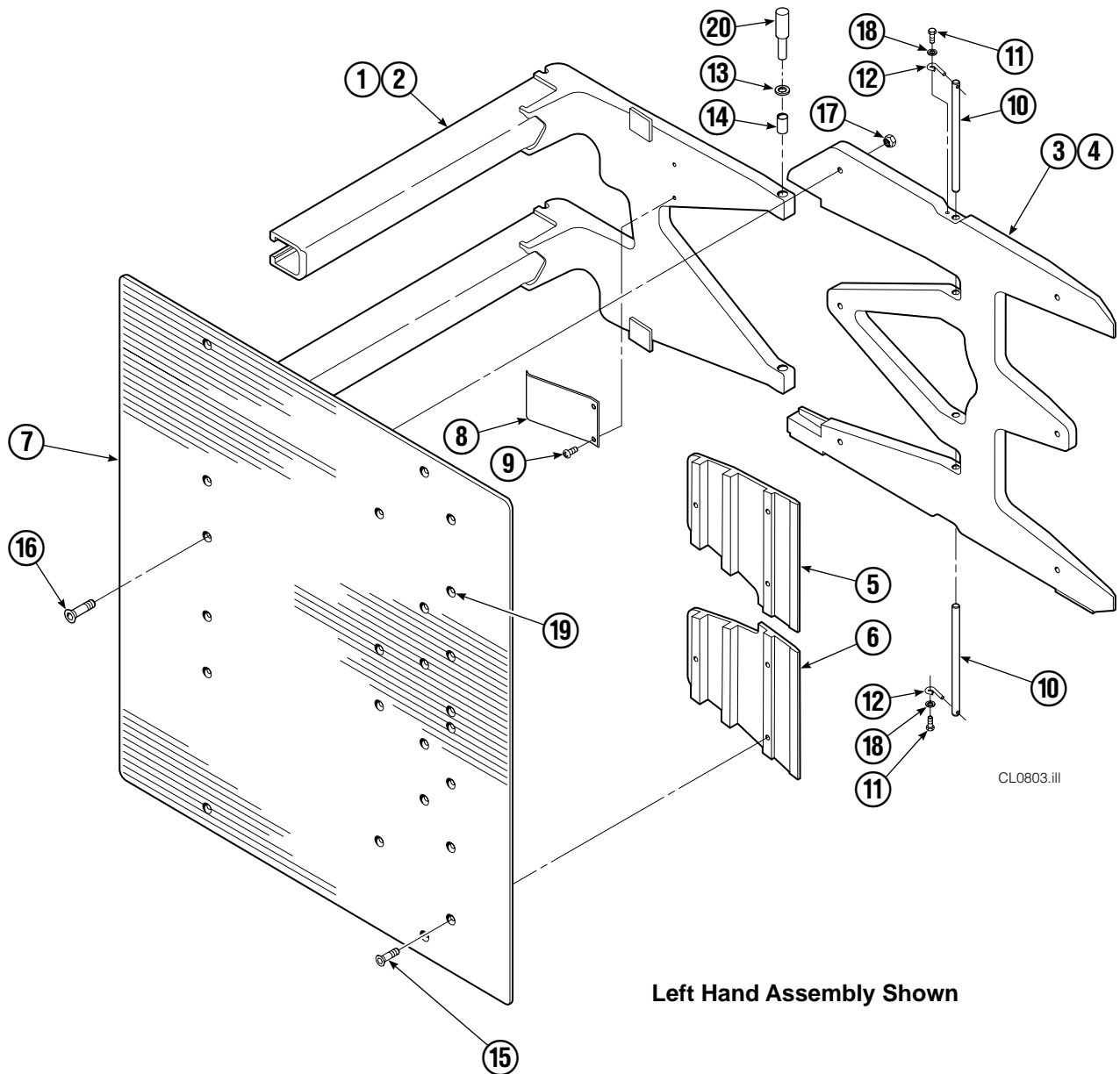


| REF | QTY | PART NO. | DESCRIPTION            |
|-----|-----|----------|------------------------|
|     |     | 215873   | Valve Assembly         |
| 1   | 1   | 215874   | Valve Body             |
| 2   | 1   | 214405   | Crossover Relief Valve |
| 3   | 5   | 682170   | Seal Kit ▲             |
| 4   | 1   | 210266   | Flow Divider/Combiner  |
| 5   | 1   | 679992   | Seal Kit ▲             |
| 6   | 2   | 209847   | Check Valve            |
| 7   | 3   | 215756   | Piston                 |
| 8   | 1   | 6025134  | Check Valve            |
| 9   | 3   | 604511   | Fitting, 6-6 ●         |
| 10  | 1   | 605743   | Fitting, 6-6 ●         |
| 11  | 5   | 604510   | Fitting, 6             |
| 12  | 1   | 215876   | Crossover Relief Valve |
|     |     | 210452   | Valve Service Kit      |

▲ Included in Valve Service Kit 210452.

● Included in Fitting Group 212978.

# Arms and Pads



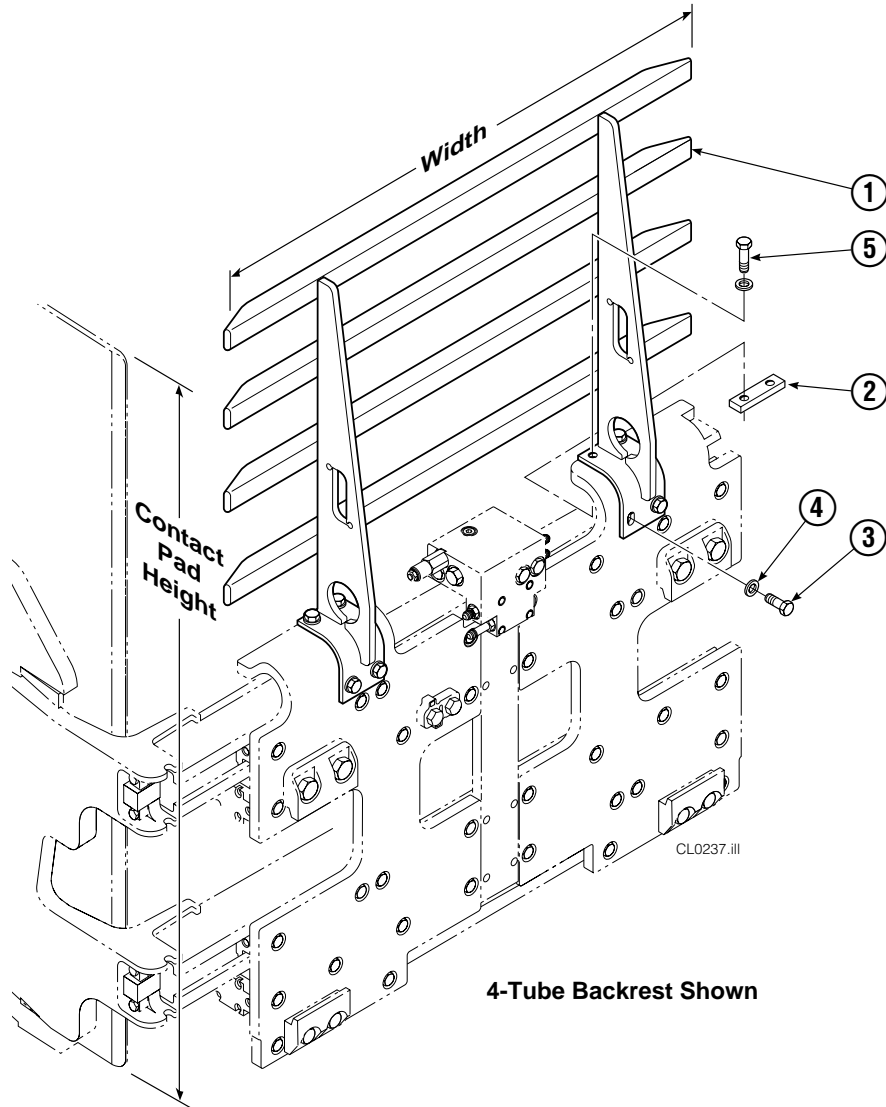
Left Hand Assembly Shown

| 30E |     |          |                                  |     |     |          |                        |
|-----|-----|----------|----------------------------------|-----|-----|----------|------------------------|
| REF | QTY | PART NO. | DESCRIPTION                      | REF | QTY | PART NO. | DESCRIPTION            |
| 1   | 1   | 212053   | Arm – LH                         | 11  | 4   | 787372   | Capscrew, M8 x 20      |
| 2   | 1   | 212054   | Arm – RH                         | 12  | 4   | 682999   | Eye Pin                |
| 3   | 1   | 210402   | Stabilizer – LH                  | 13  | 10  | 675620   | Washer, M10            |
| 4   | 1   | 210405   | Stabilizer – RH                  | 14  | 8   | 200590   | Bushing                |
| 5   | 2   | 210183   | Filler Block – LH Upper/RH Lower | 15  | 12  | 766646   | Capscrew, M10 x 20     |
| 6   | 2   | 210182   | Filler Block – LH Lower/RH Upper | 16  | 12  | 768706   | Capscrew, M12 x 35     |
| 7   | 2   | 210461   | Contact Pad                      | 17  | 12  | 773842   | Nut, M12               |
| 8   | 2   | 210154   | Spring                           | 18  | 4   | 787398   | Washer, M8             |
| 9   | 4   | 203405   | Capscrew, M10 x 16               | 19  | ▲   | 673841   | Contact Pad Repair Kit |
| 10  | 4   | 210161   | Pin                              | 20  | 1   | 675626   | Tool – Bushing Drive   |

Reference: S-4246, S-4217, Stabilizer Group 210408,  
Common Parts Group 210494.

▲ Repairs one hole.

# Backrest Group



| <b>33E</b> |     |                            |  |                                     |
|------------|-----|----------------------------|--|-------------------------------------|
| REF        | QTY | CONTACT PAD HEIGHT         |  | DESCRIPTION                         |
|            |     | 47 in. (1200 mm) – 3 -Tube |  |                                     |
| 1          | 1   | 210525                     |  | Backrest ▲ – 40 in. (1016 mm) width |
| 2          | 2   | 210155                     |  | Plate                               |
| 3          | 4   | 211689                     |  | Capscrew, M12 x 30                  |
| 4          | 8   | 202251                     |  | Washer, M12                         |
| 5          | 4   | 206174                     |  | Capscrew, M12 x 45                  |

▲ Backrest without Solenoid Adaption mounting.  
Reference: 211448 (items 2 thru 5), S-4198, S-4265.

# Quick-Change Mounting Group



CL0235.iii

| REF | QTY | ITA II   | DESCRIPTION            |
|-----|-----|----------|------------------------|
|     |     | PART NO. |                        |
|     |     | 211162   | Upper Mounting Group ▲ |
|     |     | 211174   | Lower Mounting Group ● |
| 1   | 2   | 210491   | Upper Hook             |
| 2   | 4   | 768577   | Capscrew, M20 x 35     |
| 3   | 1   | 212999   | Center Key             |
| 4   | 2   | 211129   | Capscrew, M16 x 35     |
| 5   | 2   | 675514   | Lower Hook             |
| 6   | 2   | 675515   | Guide                  |
| 7   | 2   | 678832   | Pin                    |
| 8   | 4   | 211180   | Capscrew, M16 x 30     |

▲ Includes items 1–4.

● Includes items 5–8.

Reference: SK-6089.

**Do you have questions you need answered right now?** Call your nearest Cascade Parts Department. Visit us online at [www.cascorp.com](http://www.cascorp.com)

**Cascade Corporation**  
2501 Sheridan Avenue  
Springfield, OH 45505  
Tel: 888-CASCADE (227-2233)  
FAX: 888-329-0234

**Cascade Canada Inc.**  
5570 Timberlea Blvd.  
Mississauga, Ontario  
Canada L4W-4M6  
Tel: 905-629-7777  
FAX: 905-629-7785

**Cascade GmbH**  
D-41199 Monchengladbach  
Klosterhofweg 52  
Germany  
Tel: 49-216-668230  
FAX: 49-216-6682323

**Cascade Finland**  
Albert Petreliuksenkatu 3  
01370 Vantaa  
Finland  
Tel: 358-9-836-1925  
FAX: 358-9-836-1935

**Cascade N.V.  
European Headquarters**  
P.O. Box 3009  
1300 El Almere  
Damsluisweg 56  
1332 ED Almere  
The Netherlands  
Tel: 31-36-5492911  
FAX: 31-36-5492964

**Cascade N.V.  
Benelux Sales and Service**  
P.O. Box 3009  
1300 El Almere  
Damsluisweg 56  
1332 ED Almere  
The Netherlands  
Tel: 31-36-5492950  
FAX: 31-36-5492974

**Cascade (UK) Ltd.**  
15, Orgreave Crescent  
Dore House Industrial Estate  
Handsworth  
Sheffield S13 9NQ  
England  
Tel: 742-697524  
FAX: 742-695121

**Cascade Scandinavia AB**  
Box 124  
Hammarvägen 10  
567 23 Vaggeryd  
Sweden  
Tel: 42-0-393-36950  
FAX: 46-0-393-36959

**Cascade Norway**  
Østerliveien 37A  
1153 Oslo  
Norway  
Tel: 47-22-743160  
FAX: 47-22-743157

**Cascade France S.A.R.L.**  
1D Rue De Charaintru  
BP 18, 91360 Epinay-Sur-Orge  
Morangis Cedex, France  
Tel: 33-1- 64547500  
FAX: 33-1-64547501

**Cascade Hispania S.A.**  
Carrer 5 Sector C  
Zona Franca Duanera  
Poligono de la Zon Franca  
08040 Barcelona, Spain  
Office No. 256  
Tel: 93-264-07-30  
FAX: 93-264-07-31

**Cascade Japan Ltd.**  
5-5-41,  
Torikai Kami  
Settsu, Osaka  
Japan, 566  
Tel: 81-726-53-3490  
FAX: 81-726-53-3497

**Cascade Korea**  
108B, Namdong Ind Complex  
658-3 Gojan-Dong  
Namdong-Gu  
Inchon, 405-310 Korea  
Tel: 82-32-821-2051  
FAX: 82-32-821-2055

**Cascade Australia**  
1445 Ipswich Road  
Rocklea, QLD 4106  
Australia  
Tel: 1-800227-223  
FAX: (07) 3373-7333

**Cascade New Zealand**  
15 Ra Ora Drive  
East Tamaki, Auckland  
New Zealand  
Tel: 9-273-9136  
FAX: 9-273-9137

**Cascade (Africa) Pty. Ltd.**  
P.O. Box 625, Isando 1600  
60A Steel Road  
Sparton, Kempton Park  
South Africa  
Tel: 27-11-975-9240  
FAX: 27-11-394-1147

**Cascade-Xiamen**  
No. 668 Yangguang Rd.  
Xinyang Industrial Zone  
Haicang, Xiamen City  
Fujian Province  
P.R. China 361026  
Tel: 86-592-651-2500  
FAX: 86-592-651-2571

**Cascade (Singapore)  
Trading Co.**  
Four Seasons Park  
Autumn Block - Apt. 1802  
12 Cuscaden Walk  
Singapore  
Tel: 65-834-1935  
FAX: 65-834-1936

