



# Parts Manual

---

Model \_\_\_\_\_ Fork Positioner

Serial Number \_\_\_\_\_ 120F-FPS-402

---

**cascade**<sup>®</sup>  
corporation

**For Technical Assistance call:** 800-227-2233, Fax: 888-329-8207

**To Order Parts call:** 888-227-2233, Fax: 888-329-0234

**OR**

**Write:** Cascade Corporation, P.O. Box 20187, Portland, OR 97220

**Internet:** [www.cascorp.com](http://www.cascorp.com)

# Publications



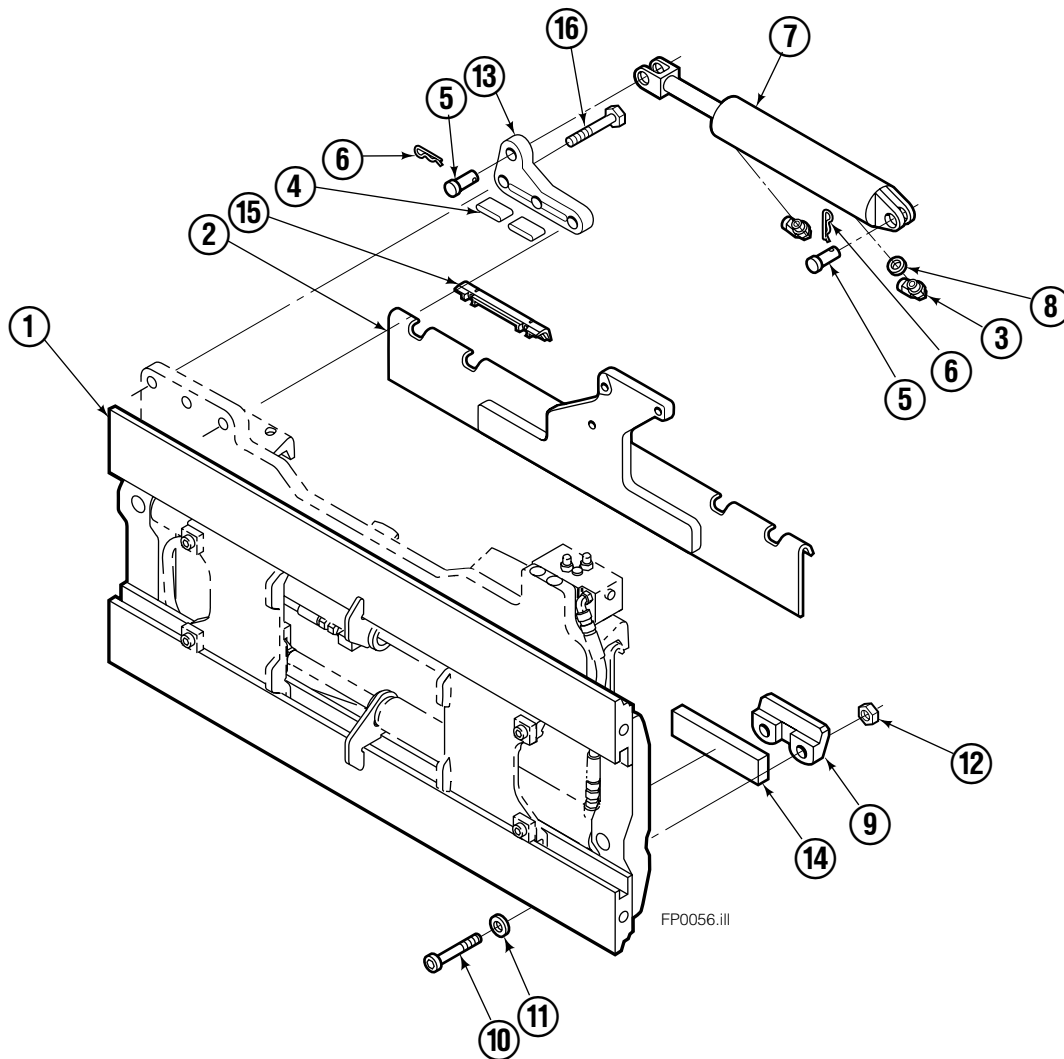
100F	
PART NO.	DESCRIPTION
	Parts Manual
208743	Service Manual
688261	Operators Guide
207363	Installation Instructions
680664	Servicing Cascade Cylinders-VHS
679929	Tool Catalog
673964	Literature Index Order Form

# Safety Decals



Part No. 665595  
(5) Places

# Mounting Group Sideshifting



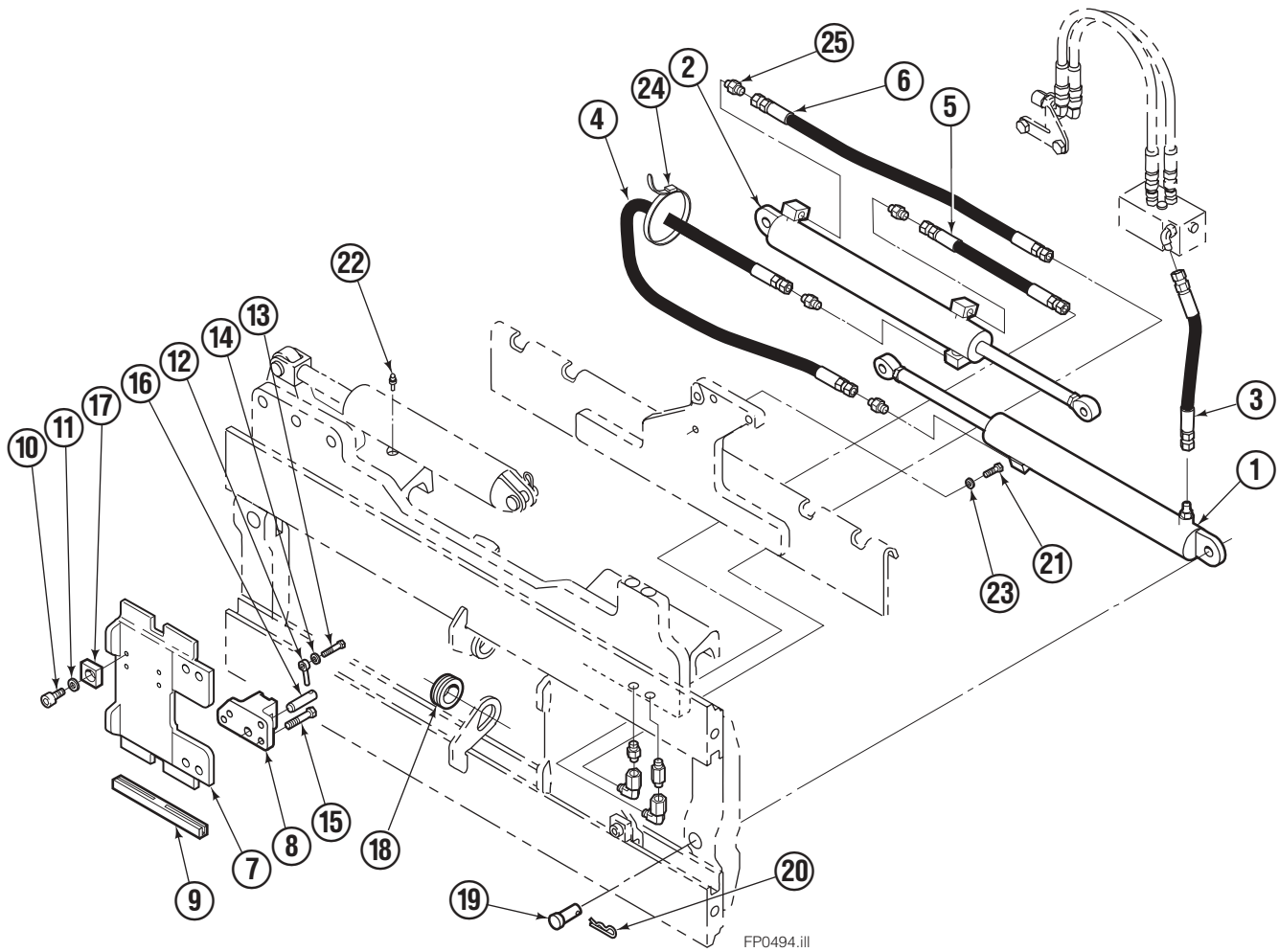
Reference:  
BC-106  
SK-6042  
2S-4096

## 120F

REF	QTY	PART NO.	DESCRIPTION	REF	QTY	PART NO.	DESCRIPTION
		8485-11	Sideshifting Mounting-49" ■ ●	9	2	6004779	Lower Hook
1	1	6106413	Frame-49" ■	10	4	752903	Capscrew, M16x45
2	1	8484-1	Anchor Bracket-49" ■	11	4	667225	Washer
3	2	601676	Fitting, 6-6	12	4	678990	Nut, M16
4	2	209542	Key	13	1	209309	Lug
5	2	678528	Clevis Pin	14	2	208350	Lower Bearing
6	2	672726	Hairpin Cotter	15	2	672018	Upper Bearing
7	1	676649	Cylinder Assembly ◆	16	3	752907	Capscrew, M20x50 Lg-8.8
8	1	675550	Washer (orifice .085)				

- Carriage width.
- Includes items 2 through 17.
- ◆ See Cylinder page for parts breakdown.

# Hydraulic/Fork Group



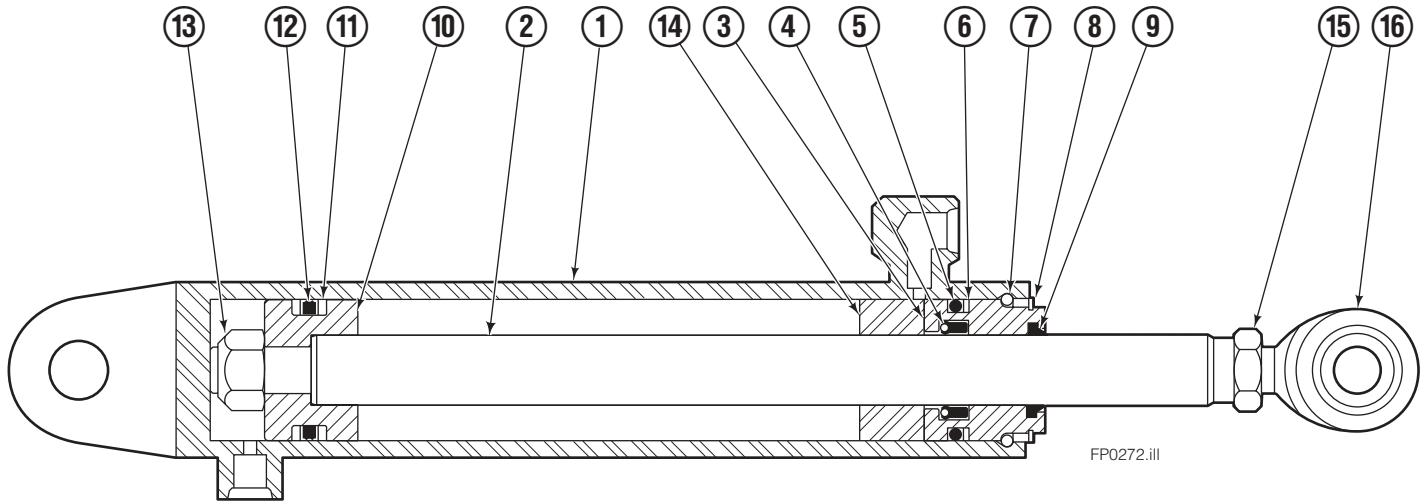
Reference:  
BC-106  
SK-6042

120F							
REF	QTY	PART NO.	DESCRIPTION	REF	QTY	PART NO.	DESCRIPTION
		388289	Hydraulic Group ●	13	2	763169	Capscrew, M6 x 20
		6108661	Fork Group □	14	2	680217	Lockwasher
1	1	388331	Cylinder Assembly L. H. ◆	15	8	684594	Capscrew, M10 x 20
2	1	388332	Cylinder Assembly R. H. ▼	16	2	209308	Pin
3	1	209515	Hose, 18.15"	17	4	209306	Block
4	1	209522	Hose, 45.31"	18	2	209305	Grommet
5	1	209528	Hose, 15.67"	19	2	661675	Clevis Pin
6	1	209530	Hose, 31.81"	20	2	672726	Hairpin Cotter
7	2	6108659	Fork Carrier	21	1	200788	Capscrew, M10 x 35
8	2	209280	Lug	22	2	7403	Grease Fitting
9	4	209303	Bearing	23	1	681238	Lockwasher
10	4	768838	Capscrew, M16 x 30	24	1	200008	Cable Tie
11	4	678992	Lockwasher	25	5	604511	Fitting, 6-6
12	2	206923	Eyebolt				

◆ See L.H. Cylinder page for parts breakdown.  
▼ See R.H. Cylinder page for parts breakdown. 5

● Includes items 1 through 6.  
□ Includes items 7 through 25.

# Left Hand Cylinder



FP0272.ill

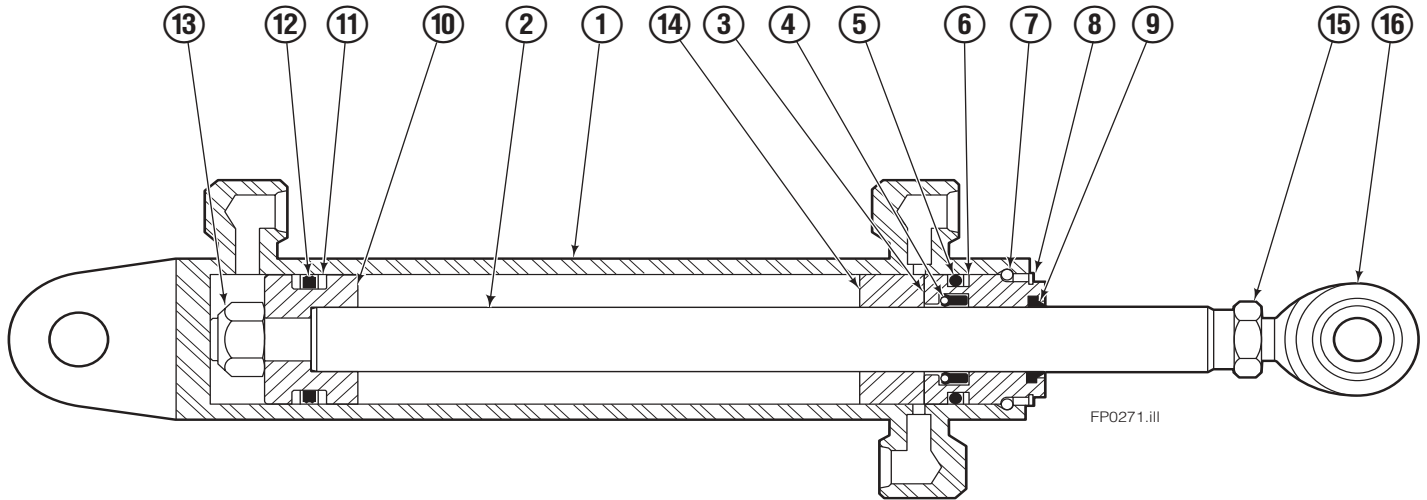
## 120F

REF	QTY	PART NO.	DESCRIPTION
		388331	Cylinder Assembly
1	1	564487	Shell
2	1	564494	Rod
3	1	564451	Retainer
4	1	564406	● Rod Seal
5	1	562127	● O-Ring
6	1	563388	● Back-up Ring
7	1	562942	Retaining Ring
8	1	562951	Snap Ring
9	1	564408	● Rod Wiper
10	1	562056	Piston
11	2	563278	● Nylon Ring
12	1	564141	● Piston Seal
13	1	678019	Piston Nut
14	1	565183	Spacer
15	1	5721	Nut
16	1	564452	Rod End
		564453	Service Kit

● Included in Service Kit 564453.

Reference: S-6142, S-6147.

# Right Hand Cylinder



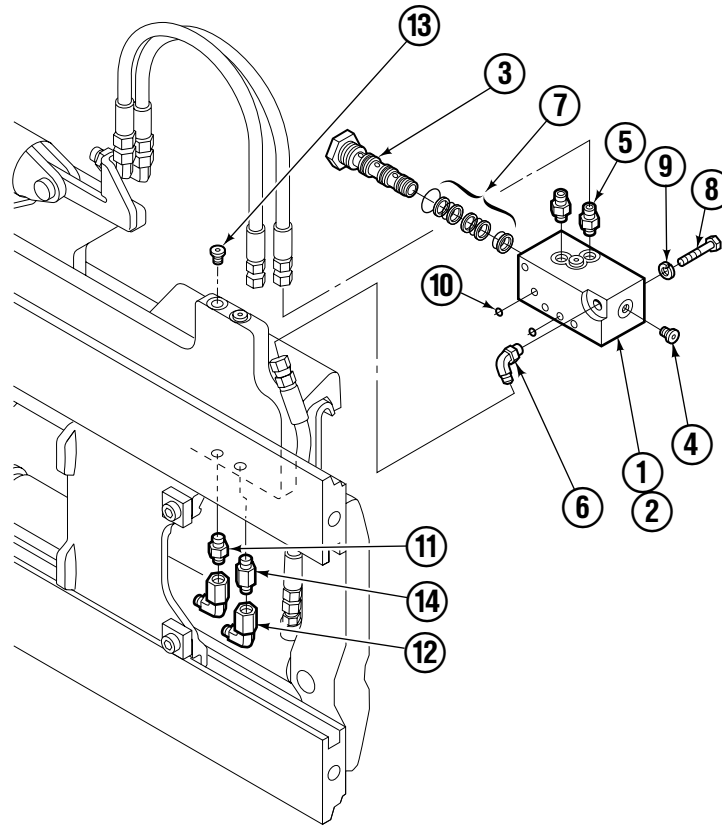
## 100F

REF	QTY	PART NO.	DESCRIPTION
		388332	Cylinder Assembly
1	1	564501	Shell
2	1	564494	Rod
3	1	564451	Retainer
4	1	564406	● Rod Seal
5	1	562127	● O-Ring
6	1	563388	● Back-up Ring
7	1	562942	Retaining Ring
8	1	562951	Snap Ring
9	1	564408	● Rod Wiper
10	1	562056	Piston
11	2	563278	● Nylon Ring
12	1	564141	● Piston Seal
13	1	678019	Piston Nut
14	1	565183	Spacer
15	1	5721	Nut
16	1	564452	Rod End
		564453	Service Kit

● Included in Service Kit 564453.

Reference: S-6143, S-6148.

# Flow Divider Group

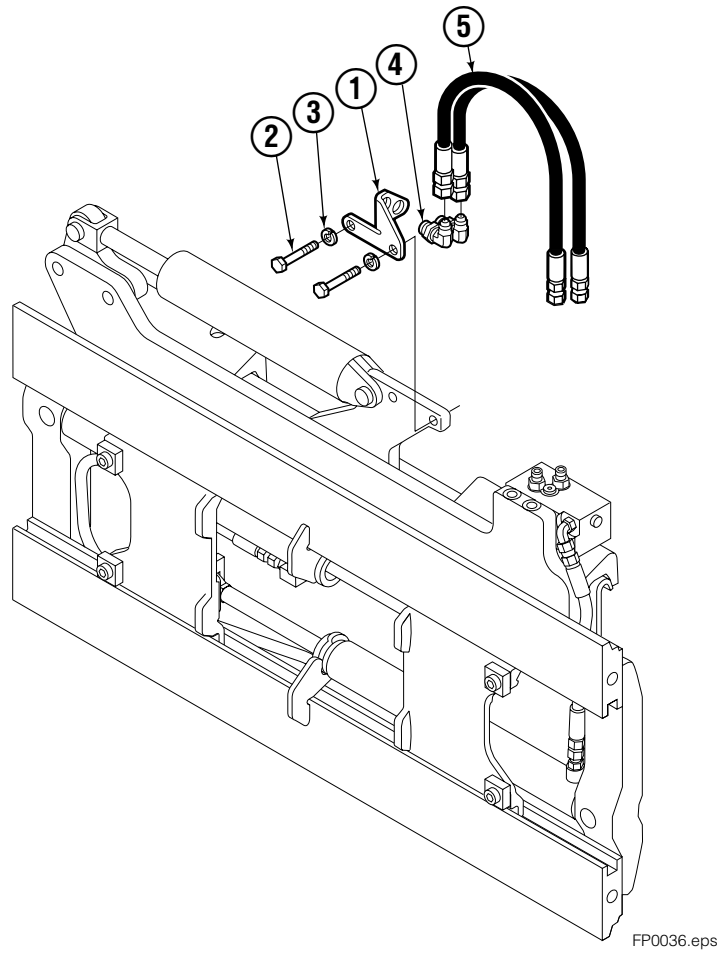


FP0035.iii

<b>120F</b>			
REF	QTY	PART NO.	DESCRIPTION
		209504	Flow Divider Group
1	1	209310	Valve ■
2	1	209311	Valve Body
3	1	201527	Cartridge-Combiner
4	2	663694	Fitting, 3
5	2	604511	Fitting, 6-6
6	1	601676	Fitting, 6-6
7	1	679992	Service Kit
8	3	685105	Capscrew
9	3	678993	Lockwasher
10	2	207300	O-Ring
11	1	604511	Fitting, 6-6
12	2	2680	Fitting, 6-6
13	2	604510	Fitting, 6
14	1	605743	Fitting, 6-6

■ Includes items 1 through 7.

# Standard Installation Group



<b>120F</b>			
REF	QTY	PART NO.	DESCRIPTION
		209506	Installation Group
1	1	207314	Bracket
2	2	762899	Capscrew, M10X20-8.8
3	2	681238	Lockwasher
4	2	2453	Fitting, 8-8
5	2	207425	Hose



**Do you have questions you need answered right now?** Call your nearest Cascade Parts Department. Visit us online at [www.cascorp.com](http://www.cascorp.com)

**Cascade Corporation**  
2501 Sheridan Avenue  
Springfield, OH 45505  
Tel: 888-CASCADE (227-2233)  
FAX: 888-329-0234

**Cascade Canada Inc.**  
5570 Timberlea Blvd.  
Mississauga, Ontario  
Canada L4W-4M6  
Tel: 905-629-7777  
FAX: 905-629-7785

**Cascade GmbH**  
D-41199 Monchengladbach  
Klosterhofweg 52  
Germany  
Tel: 49-216-668230  
FAX: 49-216-6682323

**Cascade Finland**  
Albert Petreliuksenkatu 3  
01370 Vantaa  
Finland  
Tel: 358-9-836-1925  
FAX: 358-9-836-1935

**Cascade N.V.  
European Headquarters**  
P.O. Box 3009  
1300 El Almere  
Damsluisweg 56  
1332 ED Almere  
The Netherlands  
Tel: 31-36-5492911  
FAX: 31-36-5492964

**Cascade N.V.  
Benelux Sales and Service**  
P.O. Box 3009  
1300 El Almere  
Damsluisweg 56  
1332 ED Almere  
The Netherlands  
Tel: 31-36-5492950  
FAX: 31-36-5492974

**Cascade (UK) Ltd.**  
15, Orgreave Crescent  
Dore House Industrial Estate  
Handsworth  
Sheffield S13 9NQ  
England  
Tel: 742-697524  
FAX: 742-695121

**Cascade Scandinavia AB**  
Box 124  
Hammarvägen 10  
567 23 Vaggeryd  
Sweden  
Tel: 42-0-393-36950  
FAX: 46-0-393-36959

**Cascade Norway**  
Østerliveien 37A  
1153 Oslo  
Norway  
Tel: 47-22-743160  
FAX: 47-22-743157

**Cascade France S.A.R.L.**  
1D Rue De Charaintru  
BP 18, 91360 Epinay-Sur-Orge  
Morangis Cedex, France  
Tel: 33-1- 64547500  
FAX: 33-1-64547501

**Cascade Hispania S.A.**  
Carrer 5 Sector C  
Zona Franca Duanera  
Poligono de la Zon Franca  
08040 Barcelona, Spain  
Office No. 256  
Tel: 93-264-07-30  
FAX: 93-264-07-31

**Cascade Japan Ltd.**  
5-5-41,  
Torikai Kami  
Settsu, Osaka  
Japan, 566  
Tel: 81-726-53-3490  
FAX: 81-726-53-3497

**Cascade Korea**  
108B, Namdong Ind Complex  
658-3 Gojan-Dong  
Namdong-Gu  
Inchon, 405-310 Korea  
Tel: 82-32-821-2051  
FAX: 82-32-821-2055

**Cascade Australia**  
1445 Ipswich Road  
Rocklea, QLD 4106  
Australia  
Tel: 1-800227-223  
FAX: (07) 3373-7333

**Cascade New Zealand**  
15 Ra Ora Drive  
East Tamaki, Auckland  
New Zealand  
Tel: 9-273-9136  
FAX: 9-273-9137

**Cascade (Africa) Pty. Ltd.**  
P.O. Box 625, Isando 1600  
60A Steel Road  
Sparton, Kempton Park  
South Africa  
Tel: 27-11-975-9240  
FAX: 27-11-394-1147

**Cascade-Xiamen**  
No. 668 Yangguang Rd.  
Xinyang Industrial Zone  
Haicang, Xiamen City  
Fujian Province  
P.R. China 361026  
Tel: 86-592-651-2500  
FAX: 86-592-651-2571

**Cascade (Singapore)  
Trading Co.**  
Four Seasons Park  
Autumn Block - Apt. 1802  
12 Cuscaden Walk  
Singapore  
Tel: 65-834-1935  
FAX: 65-834-1936

