

# **P**ARTS MANUAL

---

## ***120D Rotator***

***This manual contains standard production  
Serial Numbers***

215033 → 215062

Special Engineered Options are not included.

***Manual Number 220810***

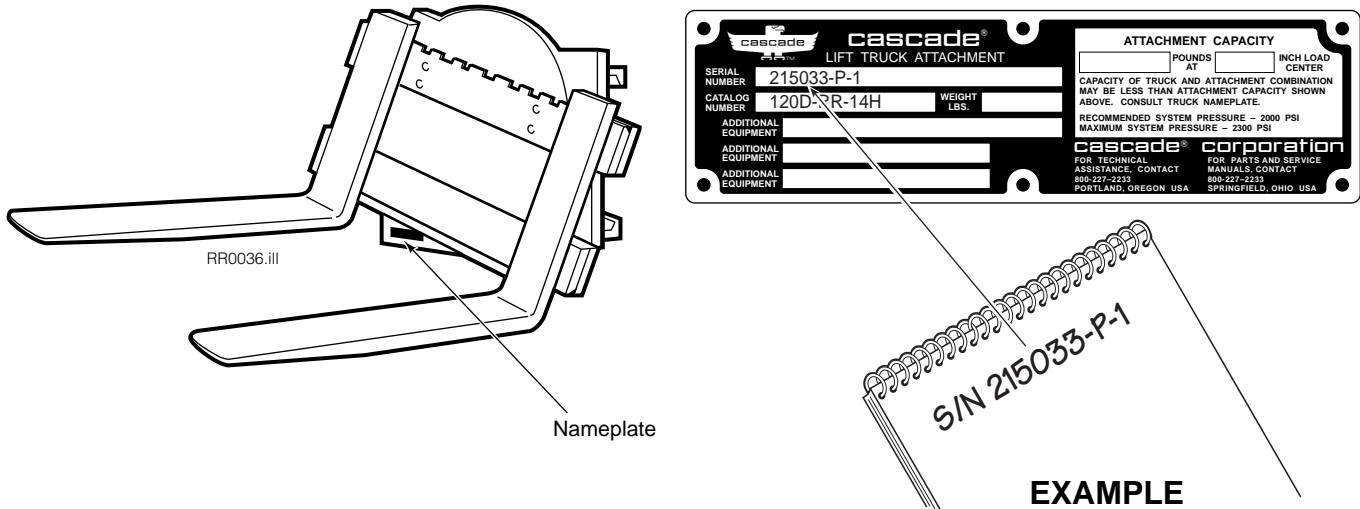
**cascade<sup>®</sup>**

Cascade is a Registered Trademark of Cascade Corporation

# About This Manual

## Introduction

This manual shows the parts breakdown for standard production Cascade 120D Rotators. Locate the nameplate attached to the bottom of the baseplate. If the nameplate is missing, all necessary information is stamped into the baseplate at the same location. This number must be used when ordering replacement parts for this product.



## Ordering Parts

**Customers** – Cascade parts and service literature is available through authorized lift truck dealers. To place an order, contact the lift truck dealer of your choice.

**Lift Truck Dealers** – To order parts and service literature contact:

**Cascade Parts Sales**  
2501 Sheridan Avenue  
Springfield, OH 45505  
Telephone: 888-CASCADE (227-2233)  
FAX: 888-329-0234

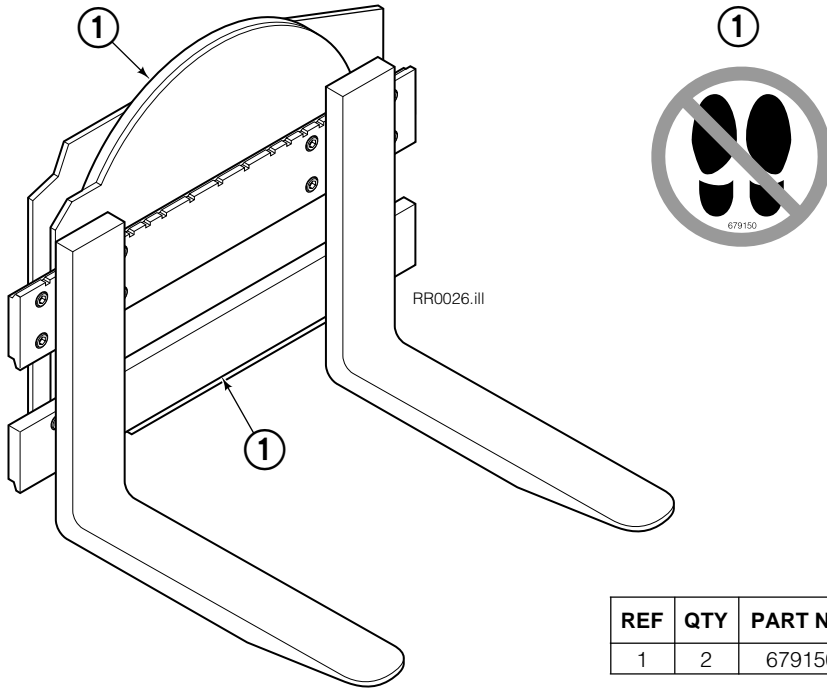


**WARNING:** For safety of yourself and others, DO NOT install the parts shown in this manual unless you have thoroughly reviewed the appropriate Service Manual.

# Serial Number Index

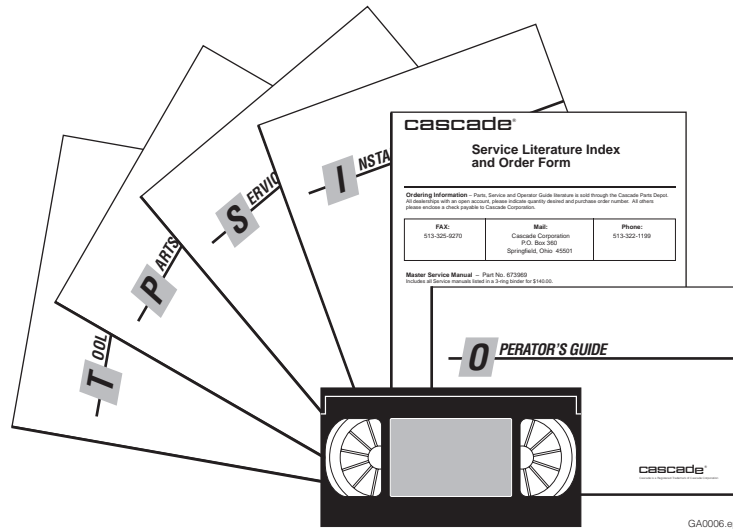
Serial Number	Model	Rotator Group Page	Drive Group Page	Fork Bar Group Page	Fork Group Page	Mounting Group Page
215033	120D	1	2	4	6	7
215034	120D	1	2	4	6	7
215035	120D	1	2	4	6	7
215036	120D	1	2	5	–	7
215037	120D	1	2	–	–	7
215038	120D	1	2	4	6	7
215039	120D	1	2	4	6	7
215040	120D	1	2	4	6	7
215041	120D	1	2	5	–	7
215042	120D	1	2	4	6	7
215043	120D	1	2	4	6	7
215044	120D	1	2	4	6	7
215045	120D	1	2	5	–	7
215046	120D	1	2	5	–	7
215047	120D	1	2	5	–	7
215048	120D	1	2	5	–	7
215049	120D	1	2	4	6	7
215050	120D	1	2	4	6	7
215051	120D	1	2	4	6	7
215052	120D	1	2	5	–	7
215053	120D	1	2	–	–	7
215054	120D	1	2	4	6	7
215055	120D	1	2	4	6	7
215056	120D	1	2	4	6	7
215057	120D	1	2	5	–	7
215058	120D	1	2	4	6	7
215059	120D	1	2	4	6	7
215060	120D	1	2	4	6	7
215061	120D	1	2	5	–	7
215062	120D	1	2	–	–	7

# Safety Decals



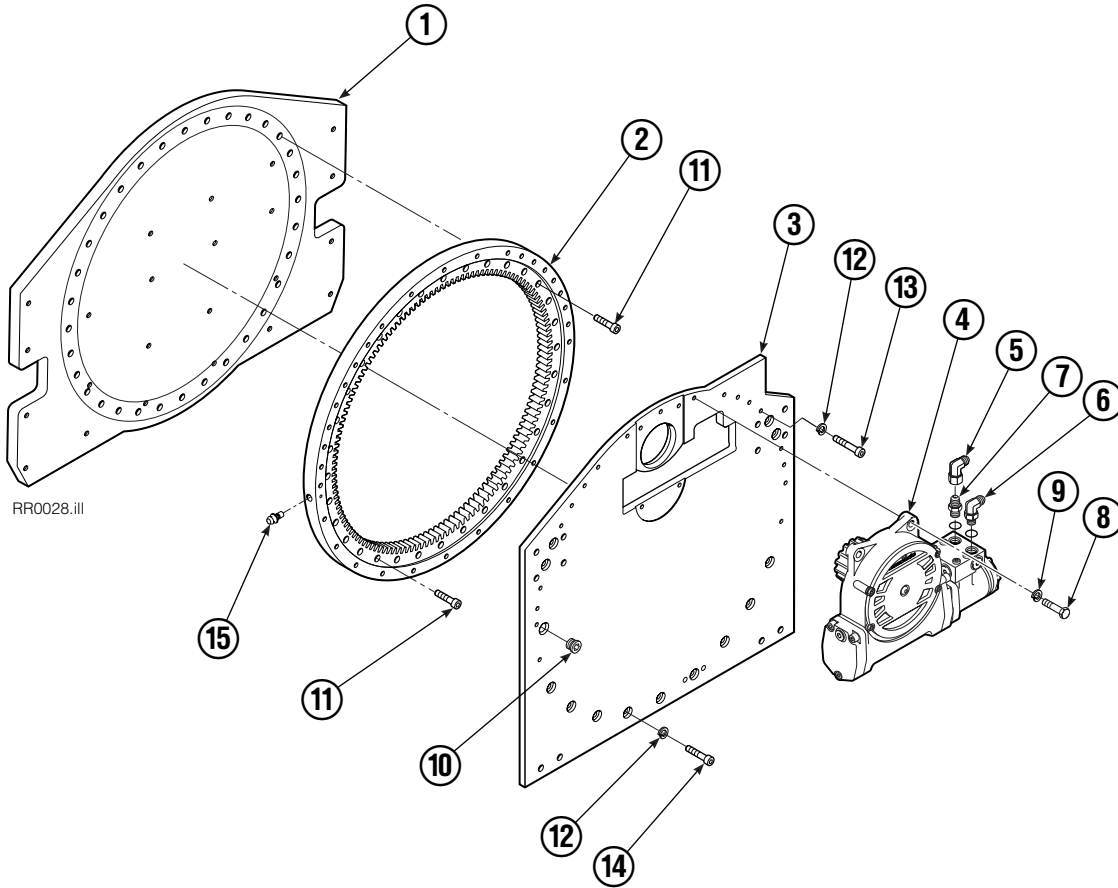
REF	QTY	PART NO.	DESCRIPTION
1	2	679150	No Step Decal

# Publications



PART NO.	DESCRIPTION
220810	Parts Manual
672946	Service Manual
672714	Operators Guide
672327	Installation Instructions
679929	Tool Catalog
673964	Literature Index Order Form

# Rotator Group

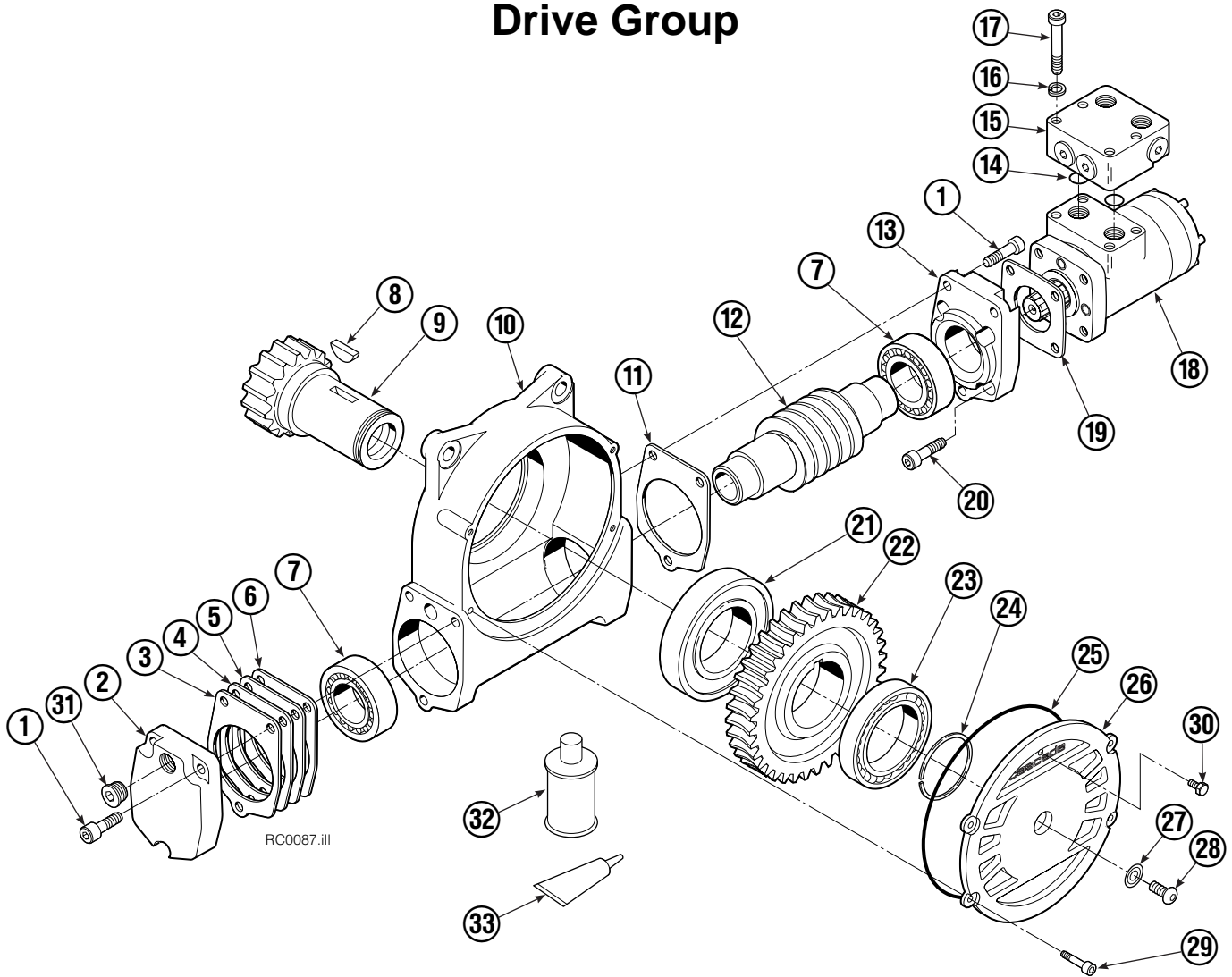


120D			
REF	QTY	PART NO.	DESCRIPTION
		215078	Frame Group
1	1	213144	Faceplate
2	1	214481	Bearing Assembly
3	1	214555	Baseplate
4	1	675639	Drive Group ▲
5	1	605761	Fitting, 8-8
6	1	601250	Fitting, 8-8
7	1	601377	Fitting, 8-8
8	4	763021	Capscrew, M12 x 30
9	4	6290	Lockwasher, 1/2
10	1	664071	Plug
11	32	768828	Capscrew, M12 x 45
12	32	681473	Washer, M12
13	19	213633	Capscrew, M12 x 55
14	13	206174	Capscrew, M12 x 45
15	1	7401	Grease Fitting

▲ See Drive Group page for parts breakdown.

Reference: Common Parts Group 215086.

# Drive Group

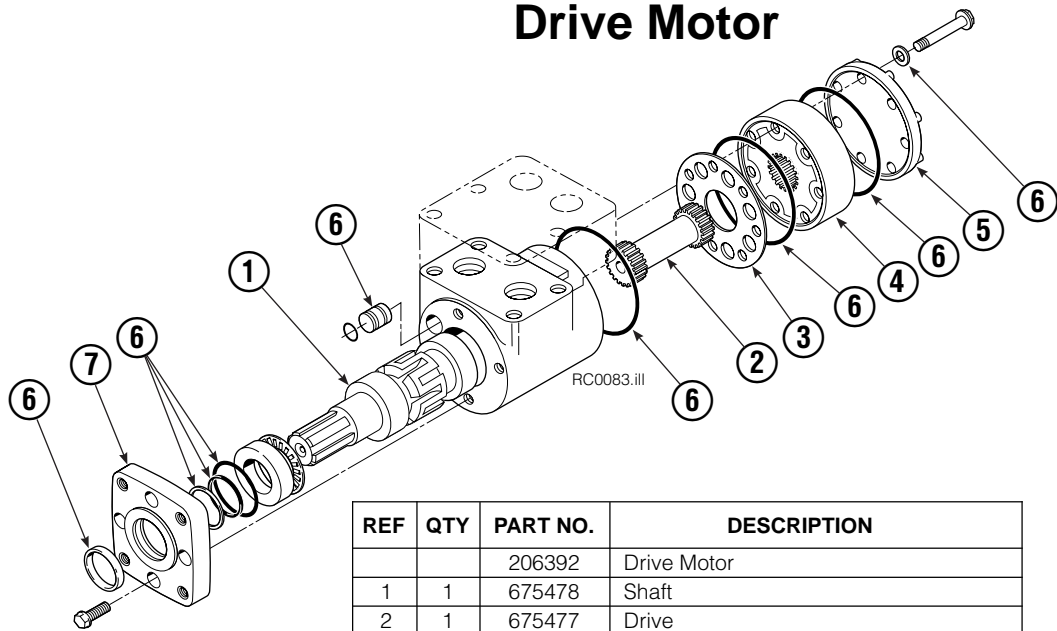


120D							
REF	QTY	PART NO.	DESCRIPTION	REF	QTY	PART NO.	DESCRIPTION
		675639	Drive Group with Motor	19	1	670575	Gasket
	■	675633	Drive Group without Motor	20	4	4468	Capscrew, 3/8 NC x .75 GR8
1	6	607071	Capscrew, 7/16 NC x 1.0 GR8	21	1	670580	Bearing
2	1	676855	Cover	22	1	675609	Worm Gear
3	1	674513	Shim - .005" (blue)	23	1	670581	Bearing
4	1	670574	Shim - .010" (brown)	24	1	7214	Snap Ring
5	1	671757	Shim - .015" (pink)	25	1	643423	O-Ring
6	1	671758	Shim - .020" (yellow)	26	1	670567	Cover
7	2	670579	Bearing	27	1	603680	Seal
8	1	670582	Key	28	1	783608	Capscrew, 3/8 NC x .50 GR8
9	1	670556	Pinion	29	4	671535	Capscrew, 5/16 NC x .75
10	1	670565	Housing	30	1	644010	Relief Fitting
11	1	686465	Gasket	31	1	604510	Fitting, 6
12	1	675608	Worm	32	1	656300	Gear Box Lube - 48 oz.
13	1	670570	Adapter	33	1	668184	Sealant
14	2	2705	Seal			670578	Shim Service Kit (items 3-6,11,25 & 33)
15	1	670549	Check Valve			675637	Bearing Service Kit (items 21 & 33)
16	4	6444	Lockwasher			675638	Bearing Service Kit (items 3-7, 11 & 25)
17	4	607059	Capscrew, 5/16 NC			206394	Motor Kit (items 11,14,18,19,20,33)
18	1	206392	Drive Motor ▲				

- Includes all items except 15, 17 and 18.
- Quantity as required.
- ▲ See Drive Motor page for parts breakdown.

Reference: Common Parts Group 675627, SK-5032.

# Drive Motor



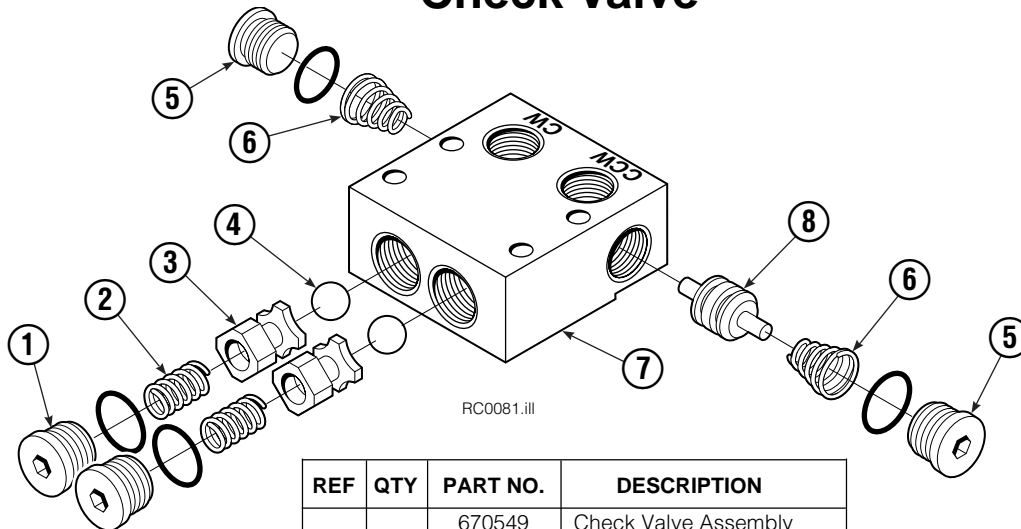
REF	QTY	PART NO.	DESCRIPTION
		206392	Drive Motor
1	1	675478	Shaft
2	1	675477	Drive
3	1	675479	Spacer Plate
■ 4	1	675480	Gerotor Set (101-1768-007)
■ 4	1	685075	Gerotor Set (101-1768-009)
5	1	675482	End Cap
● 6	1	206405	Service Kit
■ 7	1	685089	Flange (101-1768-007)
■ 7	1	685090	Flange (101-1768-009)

Cascade provides service replacement parts for the listed parts only. Due to cost, if others parts need replacement, the complete drive motor should be replaced.

■ See Nameplate under valve for correct part number of Gerotor Set and Flange.

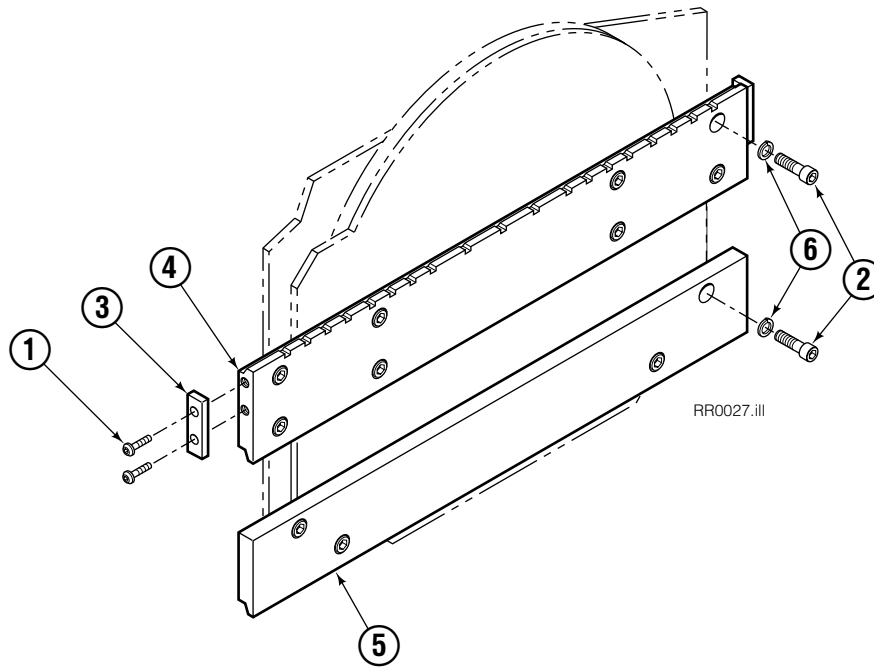
● Compatible with water glycol based hydraulic fluids.

# Check Valve



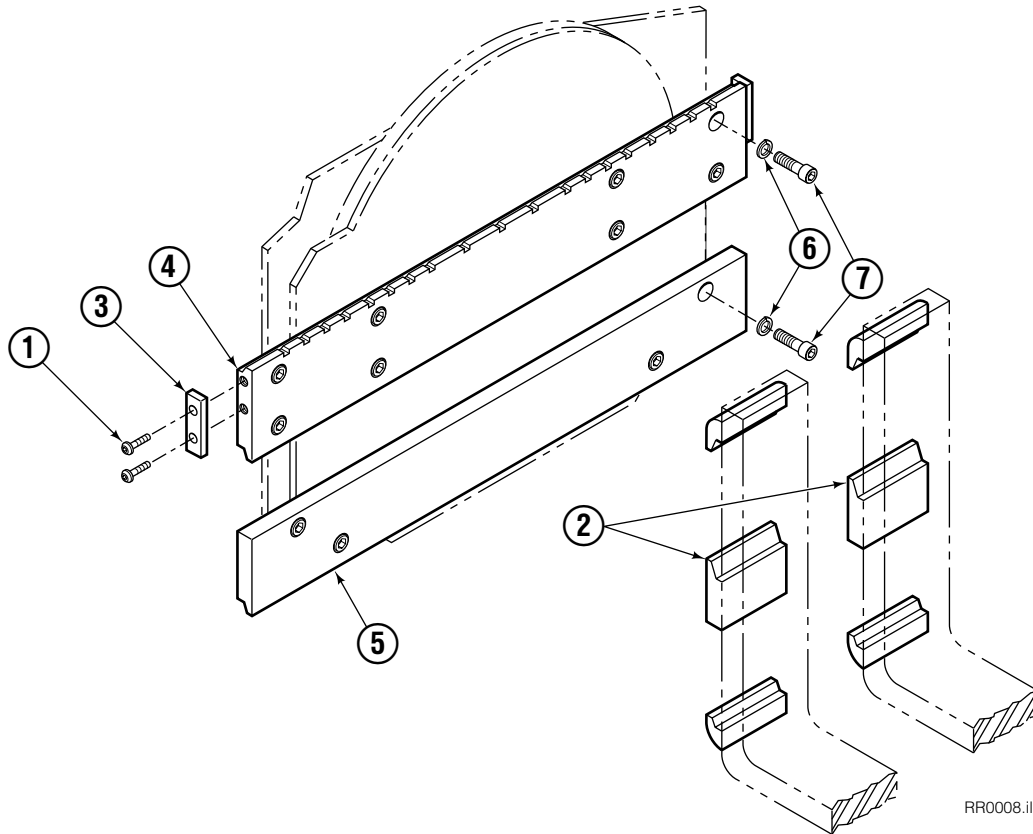
REF	QTY	PART NO.	DESCRIPTION
		670549	Check Valve Assembly
1	2	609453	Fitting, 10
2	2	670552	Spring
3	2	670551	Guide
4	2	7020	Ball
5	2	602580	Fitting, 8
6	2	673989	Spring
7	1	670550	Body
8	1	670553	Spool

# Fork Bar Group



120D					
REF	QTY	49 in. PART NO.	61 in. PART NO.	73 in. PART NO.	DESCRIPTION
		206780	206781	206782	Fork Bar Group
1	4	4880	4880	4880	Capscrew, 1/2 NC x 1.0 GR8
2	24	681248	681248	681248	Capscrew
3	2	622148	622148	622148	Keeper
4	1	681242	681243	681244	Upper Bar
5	1	681245	681246	681247	Lower Bar
6	4	6290	6290	6290	Lockwasher, 3/4 ID

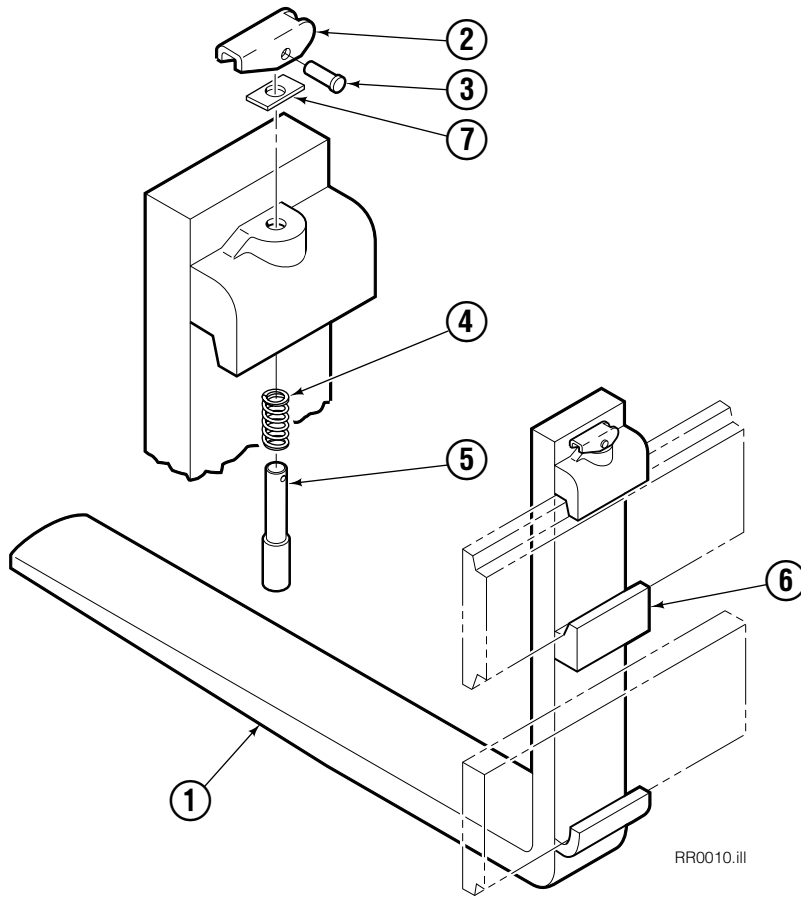
# Fork Bar Group



RR0008.ill

120D					
REF	QTY	49 in. PART NO.	61 in. PART NO.	73 in. PART NO.	DESCRIPTION
		681077	681078	681079	Fork Bar Group
1	4	4880	4880	4880	Capscrew, 1/2 NC x 1.0 GR8
2	2	633671	633671	633671	Hook
3	2	622148	622148	622148	Keeper
4	1	681242	681243	681244	Upper Bar
5	1	681245	681246	681247	Lower Bar
6	4	6290	6290	6290	Lockwasher, 3/4 ID
7	24	681248	681248	681248	Capscrew

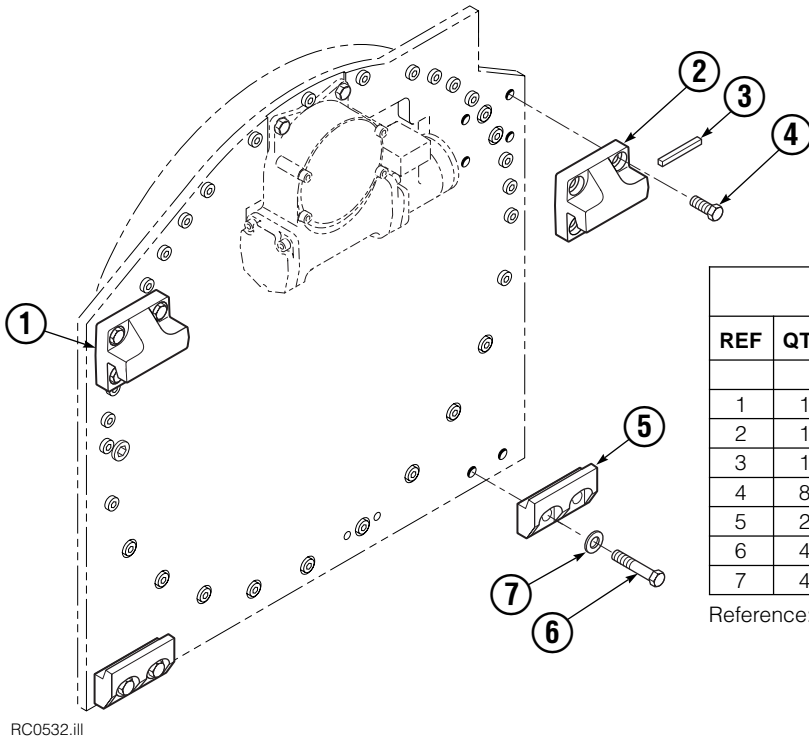
# Forks



RR0010.iii

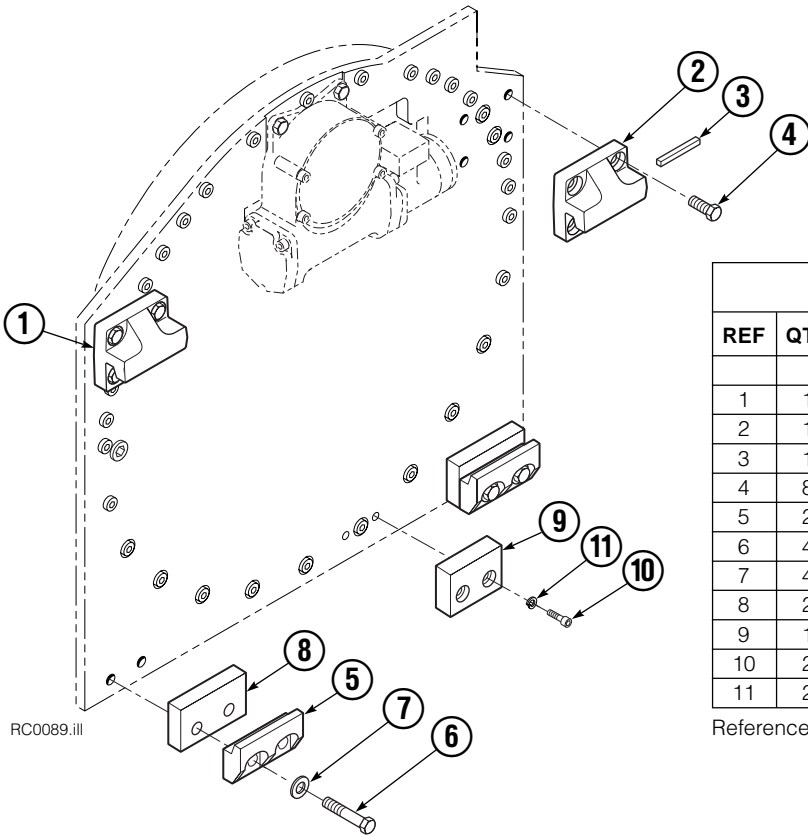
120D					
REF	QTY	49 in. PART NO.	61 in. PART NO.	73 in. PART NO.	DESCRIPTION
		633708	633709	633710	Fork Assembly
1	1	646988	646989	646990	Fork
2	1	622897	622897	622897	Handle
3	1	8007	8007	8007	Rivet
4	1	633668	633668	633668	Spring
5	1	633670	633670	633670	Pin
6	1	633671	633671	633671	Hook
7	1	633669	633669	633669	Washer

# Bolt-On Mounting Group



120D, Class IV, 4°			
REF	QTY	PART NO.	DESCRIPTION
		684878	Mounting Group
1	1	684876	Upper Hook – LH
2	1	681062	Upper Hook – RH
3	1	670704	Stop Kit
4	8	678082	Capscrew, M20 x 35
5	2	679832	Lower Hook
6	4	779020	Capscrew, M20 x 45
7	4	670692	Washer, 3/4 in. ID

Reference: SK-6198.



120D, Class IV, 0°			
REF	QTY	PART NO.	DESCRIPTION
		684879	Mounting Group
1	1	684877	Upper Hook – LH
2	1	675061	Upper Hook – RH
3	1	670704	Stop Kit
4	8	679082	Capscrew, M20 x 35
5	2	679832	Lower Hook
6	4	682917	Capscrew, M20 x 80
7	4	670692	Washer, 3/4 in. ID
8	2	681019	Spacer
9	1	675081	Center Spacer
10	2	768810	Capscrew, M10 x 30
11	2	680030	Lockwasher, M10

Reference: SK-6198.

# Recommended Spare Parts List

<b>120D Rotator</b>				
<b>PART NO.</b>	<b>DESCRIPTION</b>	<b>ATTACHMENTS SERVICED</b>		
		<b>1-5</b>	<b>6-19</b>	<b>20-50</b>
<b>DRIVE GROUP</b>				
675608	Worm	0	1	2
670556	Pinion	0	1	2
670581	Bearing	0	1	1
7214	Snap Ring	2	2	4
643423	O-Ring	1	2	2
206392	Drive Motor	0	1	1
206405	Drive Motor Seal Kit	1	1	2
668184	Sealant	1	2	2
675638	Bearing Service Kit	1	1	2
675637	Bearing Service Kit	1	2	2
656300	Gear Box Lube	1	2	2
<b>CHECK VALVE</b>				
670549	Check Valve Assembly	0	1	1
<b>STOP KIT</b>				
670704	Stop Kit	1	2	2
<b>PAINT</b>				
668209	12 oz. Aerosol Can – Yellow	1	1	1
<b>PUBLICATIONS</b>				
220810	Parts Manual	1	1	1
672946	Service Manual	1	1	1
672914	Operator's Guide	1	1	1
679929	Tool Catalog	1	1	1
677553	Driver Training Video	1	1	1

■ See specific parts page for part number.



**Do you have questions you need answered right now?** Call your nearest Cascade Parts Department.

**Cascade Corporation**  
2501 Sheridan Avenue  
Springfield, OH 45505  
Tel: 888-CASCADE (227-2233)  
FAX: 888-329-0234

**Cascade Canada Inc.**  
5570 Timberlea Blvd.  
Mississauga, Ontario  
Canada L4W-4M6  
Tel: 905-629-7777  
FAX: 905-629-7785

**Cascade GmbH**  
D-41199 Monchengladbach  
Klosterhofweg 52  
Germany  
Tel: 21-66-602091  
FAX: 21-66-680947

**Cascade Finland**  
01370 Vantas  
Finland  
Tel: 358-0-836-1925  
FAX: 358-0-836-1935

**Cascade N.V.  
European Headquarters**  
P.O. Box 3009  
1300 El Almere  
Damsluisweg 56  
1332 ED Almere  
The Netherlands  
Tel: 31-36-5492911  
FAX: 31-36-5492964

**Cascade N.V.  
Benelux Sales and Service**  
P.O. Box 3009  
1300 El Almere  
Damsluisweg 56  
1332 ED Almere  
The Netherlands  
Tel: 31-36-5492950  
FAX: 31-36-5492974

**Cascade (UK) Ltd.**  
15, Orgreave Crescent  
Dore House Industrial Estate  
Handsworth  
Sheffield S13 9NQ  
England  
Tel: 742-697524  
FAX: 742-695121

**Cascade Scandinavia  
Hydraulik A.B.**  
Muskötgatan 19, E8-9  
S25466 Helsingborg  
Sweden  
Tel: 42-151135  
FAX: 42-152997

**Cascade Norway**  
Østerliveien 37A  
1153 Oslo  
Norway  
Tel: 47-22-743160  
FAX: 47-22-743157

**Cascade France S.A.R.L.**  
11, Rue Jean Charcot  
Zone Industrielle Sud or  
B.P. 22  
91421 Morangis Cedex  
France  
Tel: 1- 64547501  
FAX: 1-9790584

**Cascade Hispania S.A.**  
Avenida De La Fabregada, 7  
Hospitalet De Llobregat  
Barcelona  
Spain  
Tel: 3-335-5158  
FAX: 3-335-4756

**Cascade Japan Ltd.**  
5-5-41,  
Torikai Kami  
Settsu, Osaka  
Japan, 566  
Tel: 81-726-53-3490  
FAX: 81-726-53-3497

**Cascade Korea**  
Room 508, Pum Yang Bldg.  
750-14, Bang Bac-Dong  
Se-Cho Ku, Seoul  
Korea  
Tel: 2599-7131 ext. 512  
FAX: 2533-8089

**HYCO-Cascade Pty. Ltd.**  
1445 Ipswich Road  
Rocklea,  
Queensland 4107  
Australia  
Tel: 3-274-2722  
FAX: 3-274-3456

**HYCO-Cascade (NZ) Ltd.**  
15 Ra Ora Drive, East Tamaki  
P.O. Box 38-440  
Howick, Auckland  
New Zealand  
Tel: 9-273-9136  
FAX: 9-273-9137

**Cascade (Africa) Pty. Ltd.**  
P.O. Box 625, Isando 1600  
60A Steel Road  
Sparton, Kempton Park  
South Africa  
Tel: 975-9240  
FAX: 394-1147

**Cascade-Xiamen**  
Wanshan No. 1 Workshop  
Huli Road  
Xiamen 361006  
Fujian, PRC  
Tel: 592-562-4600  
FAX: 592-562-4671

**Cascade (Singapore)  
Trading Co.**  
Four Seasons Park  
Autumn Block - Apt. 1802  
12 Cascaden Walk  
Singapore  
Tel: 65-834-1935  
FAX: 65-834-1936

