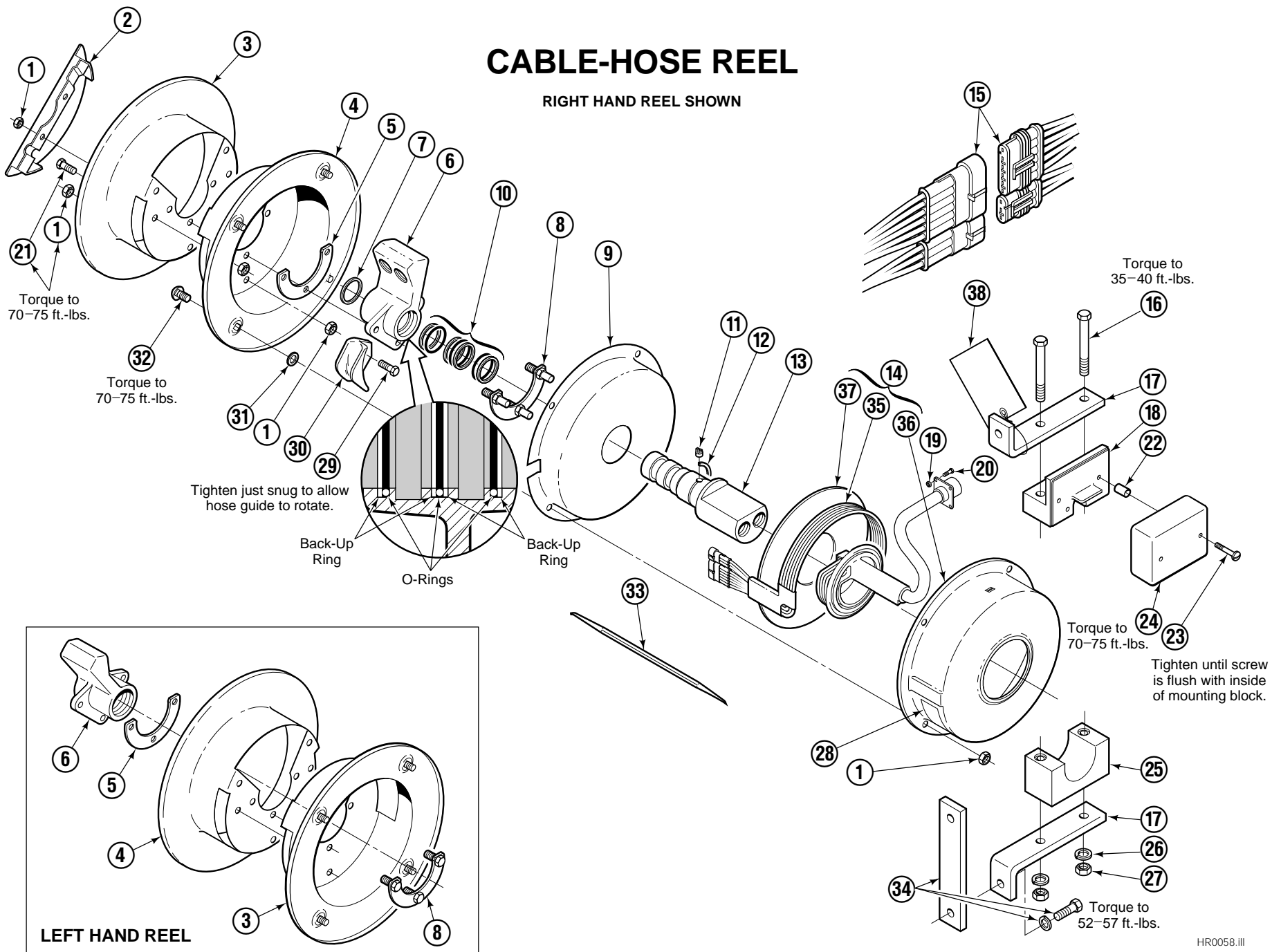


CABLE-HOSE REEL

RIGHT HAND REEL SHOWN



CABLE-HOSE REEL

REF	QTY	PART NO.	DESCRIPTION	REF	QTY	PART NO.	DESCRIPTION
		213566	Cable-Hose Reel Assembly – LH	20	4	213021	Capscrew, 4-40
1	11	645986	Locking Nut, 1/4 NC	21	3	3551	Capscrew, 1/4 NC x .50
2	1	659898	Rotating Cover – LH	22	2	663886	Tube
3	1	646070	Flange–Outer	23	2	659887	Machine Screw, 1/4 NC x 1.50
4	1	646071	Flange–Inner	24	1	213541	Fixed Cover
5	1	659880	Spacer	25	1	659884	Lower Mounting Block
6	1	677860	Hub	26	2	6290	Lockwasher, 1/2 ID
7	1	3135	Snap Ring	27	2	5904	Nut, 1/2 NC
8	1	659881	Bracket	28	1	213567	Nameplate
9	1	664885	Spring Assembly – LH	29	1	3556	Capscrew, 1/4 NC x 1.25
10	1	677833	Shaft Seal Kit	30	2	646075	Hose guide
11	1	659917	Spring Retainer	31	4	6228	Washer, 1/4 ID
12	1	675610	Snap Ring	32	4	659889	Capscrew
13	1	677858	Shaft	33	1	674424	O-Ring Extractor Tool
14	1	213691	Cable Service Kit – LH	34	1	661031	Mounting Kit
●15	1	211477	Connector Kit	◆■35	1	213564	Cable Harness
16	2	3667	Capscrew, 1/2 NC x 5.00	◆36	1	669648	Cable Housing Assembly – LH
17	2	659888	Mounting Bracket	◆■37	1	659882	Divider Plate
18	1	659885	Upper Mounting Bracket	38	1	667898	Caution Tag
19	4	6091	Nut, 4-40				

- Connector Kit 211477 (Ref. No. 15) includes 3 and 6 Pos. Connectors, Receptacles, Sockets, and Wire Seals.
- Included in Cable Service Kit 211570 (Ref. No. 14).
- ◆ Included in Cable Service Kit 211569 (Ref. No. 14).
- ★ Includes (1) crimping tool and (1) die set.