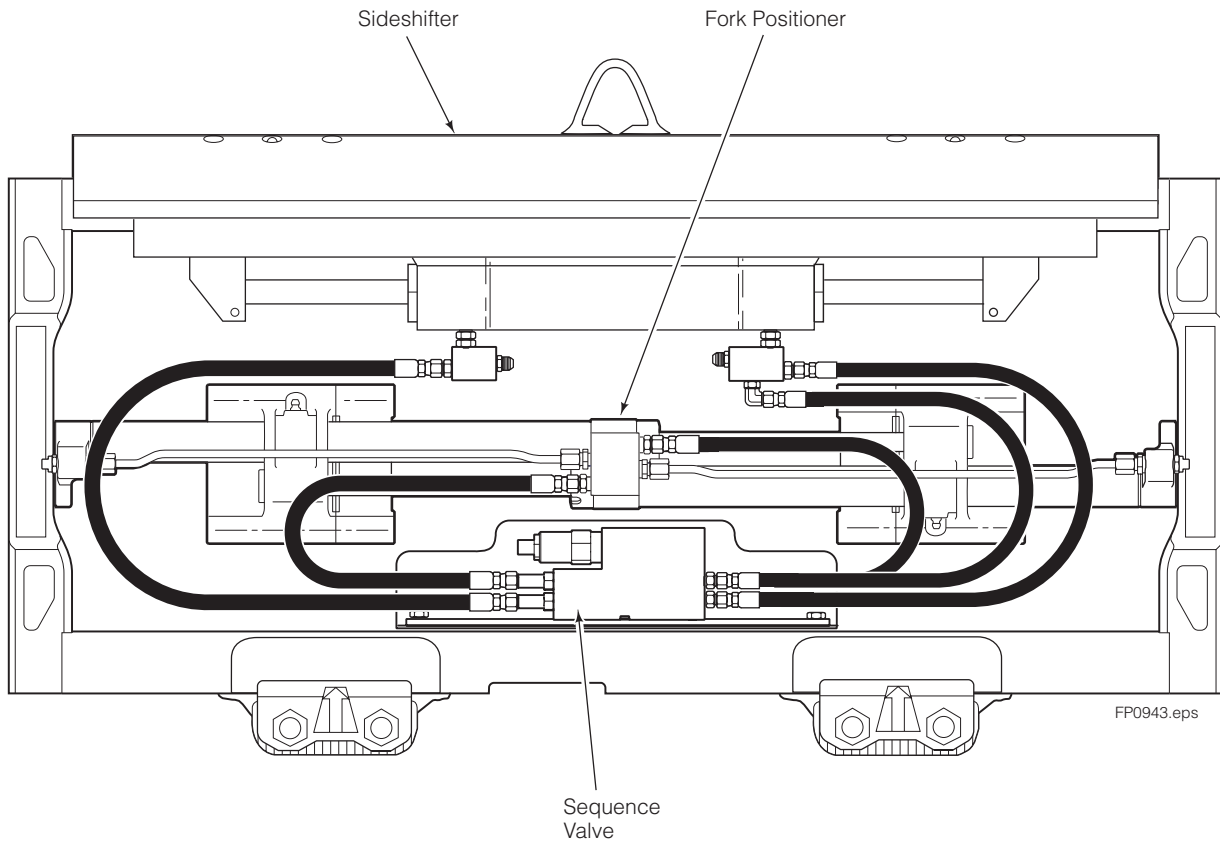




# Installation Instructions

## K-Series Fork Positioner Sequence Valve Control Kits 6057982, 6068408 & 6074951

This sheet provides installation instructions and replacement parts list for Cascade Sequence Valve Control Kit 6057982, 6068408 and 6074951. The kits provide two function operation using a single function hydraulic supply to select the sideshift or fork position functions. By sideshifting completely to either side the fork position circuit is engaged.



**cascade**<sup>®</sup>  
**corporation**

**For Technical Support . . .**

Call: 1-800-227-2233 Fax: 1-888-329-8207

Internet: [www.cascorp.com](http://www.cascorp.com)

Write: Cascade Corporation, PO Box 20187, Portland, OR 97294

**To Order Parts . . .**

Call: 1-888-227-2233 Fax: 1-888-329-0234

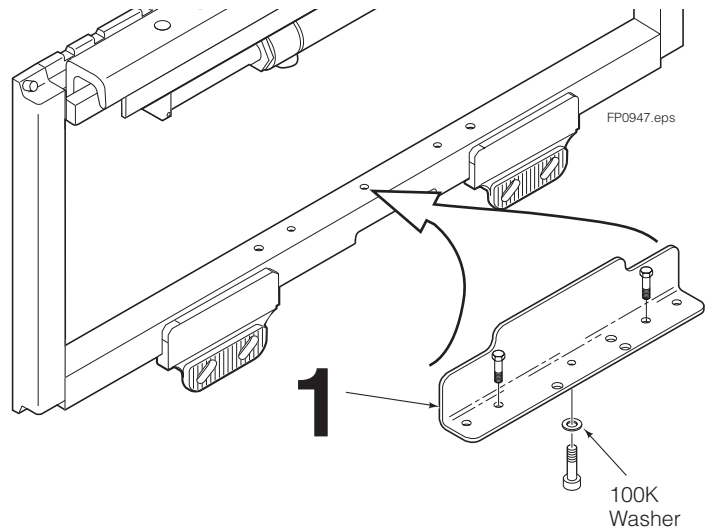
Internet: [www.cascorp.com](http://www.cascorp.com)

Write: Cascade Corporation, 2501 Sheridan Ave., Springfield, OH 45505

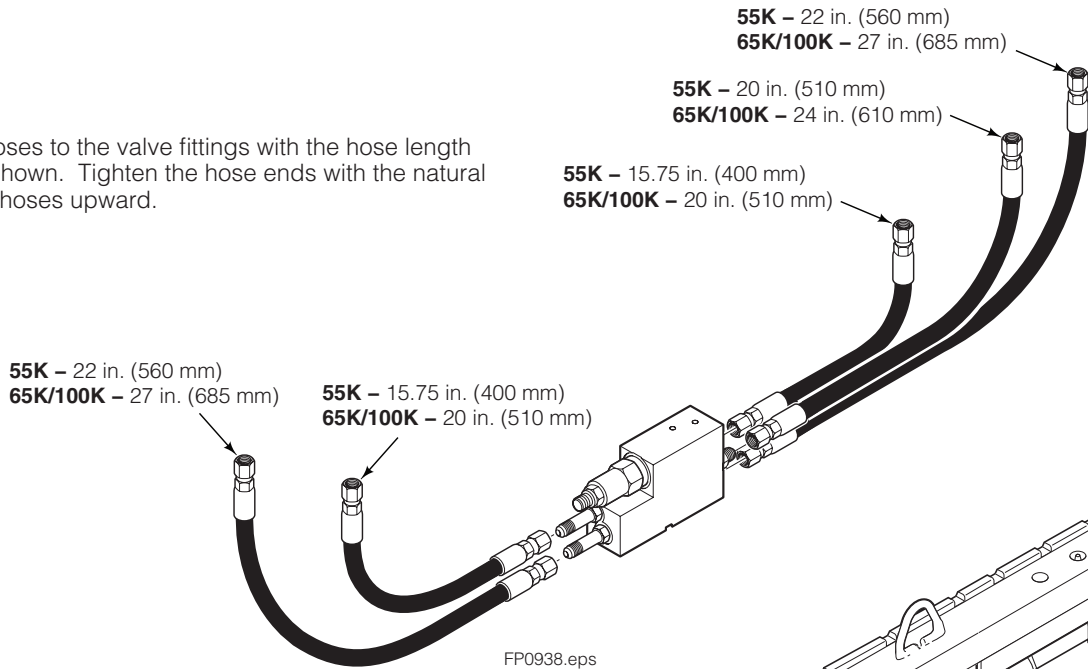
# Component Installation

- 1 Mount the guard to the sideshifter lower carriage bar. Tighten the capscrews to a torque of 26 ft.-lbs. (35 Nm).

**NOTE:** 100K attachments will have an additional washer with the bottom capscrew.

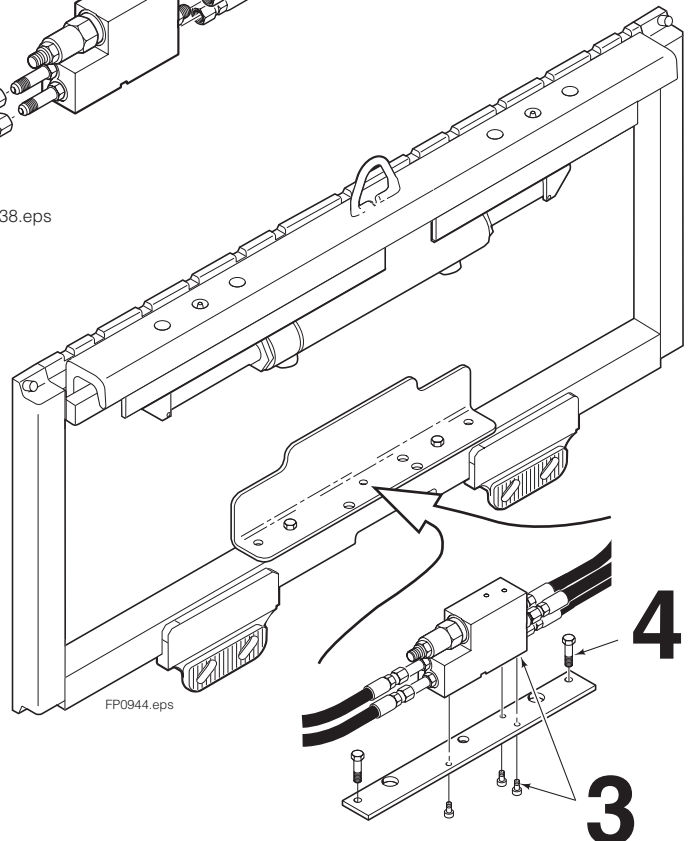


- 2 Install the hoses to the valve fittings with the hose length orientation shown. Tighten the hose ends with the natural bend of the hoses upward.

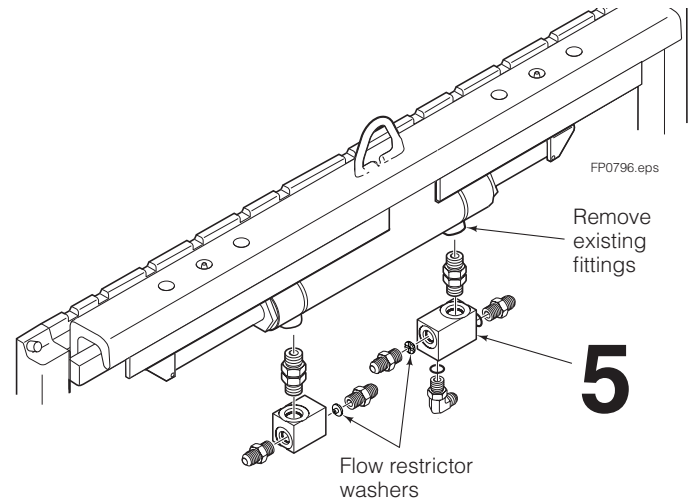


- 3 Install the sequence valve to the bracket. Tighten the capscrews to a torque of 4 ft.-lbs. (5 Nm).

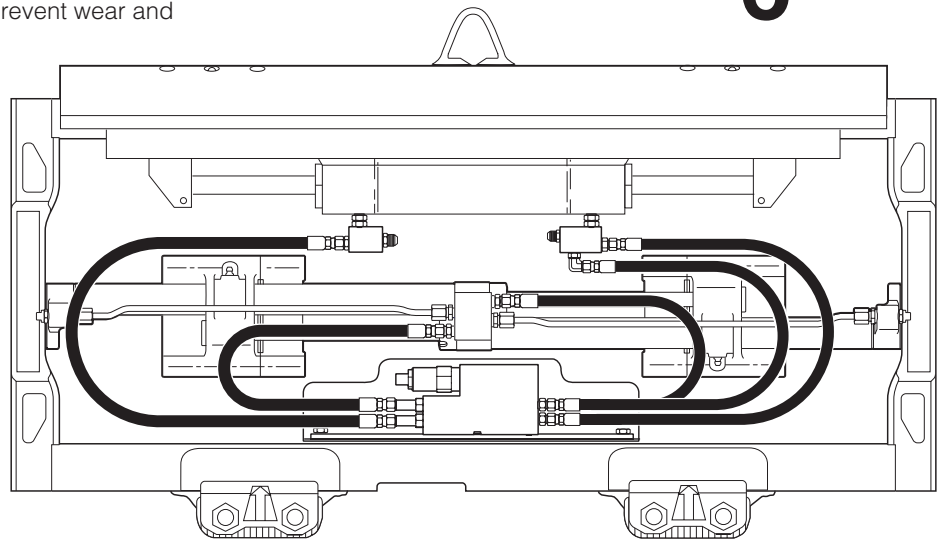
- 4 Install the sequence valve and bracket to the guard. Tighten the capscrews to a torque of 26 ft.-lbs. (35 Nm).



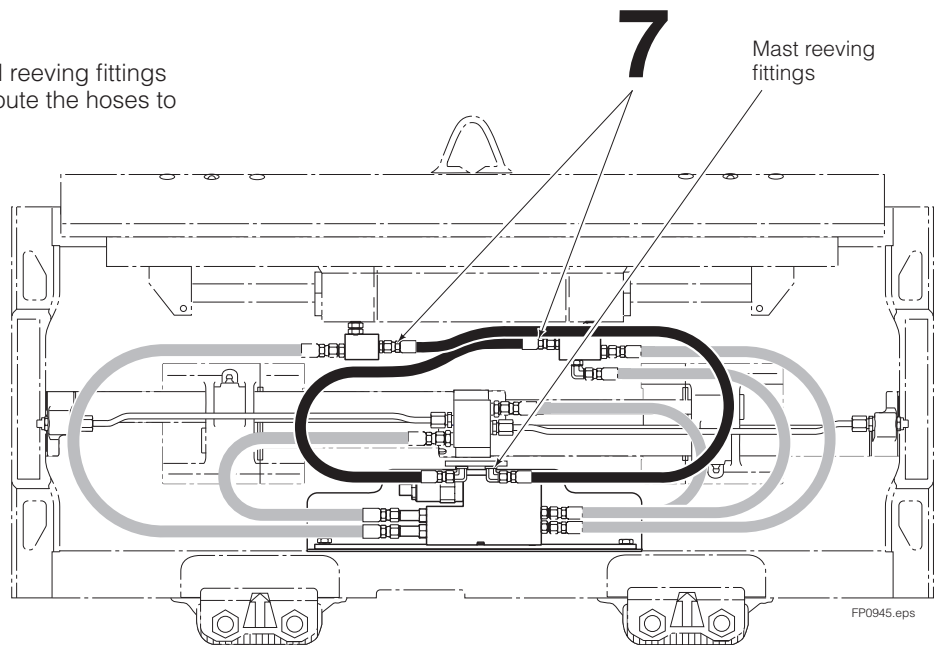
- 5** Remove any existing fittings and restrictor washers from the sideshift cylinder ports. Install the new supply manifolds and fittings to the sideshift cylinder ports. Do not remove the flow restrictor washers from the manifolds.



- 6** Install the kit hoses. Route the hoses to prevent wear and pinch points.

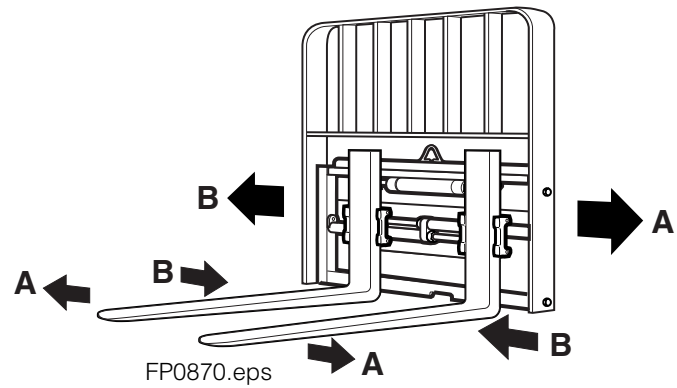
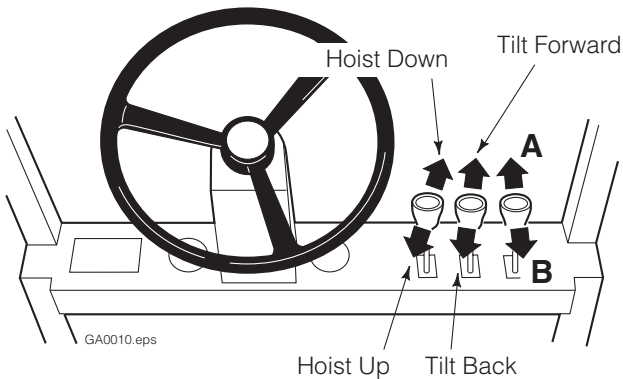


- 7** Install supply hoses from the mast internal reeving fittings to the sideshift cylinder supply fittings. Route the hoses to prevent wear and pinch points.



## Operation

- Sideshift left and right several times.
- Engage the fork position function by sideshifting completely to one side. To the left engages open forks, to the right engages close forks. Open and close the forks several times.
- Check for operation in accordance with ANSI standards shown below.
- Check for leaks at the fittings, valve and cylinders.



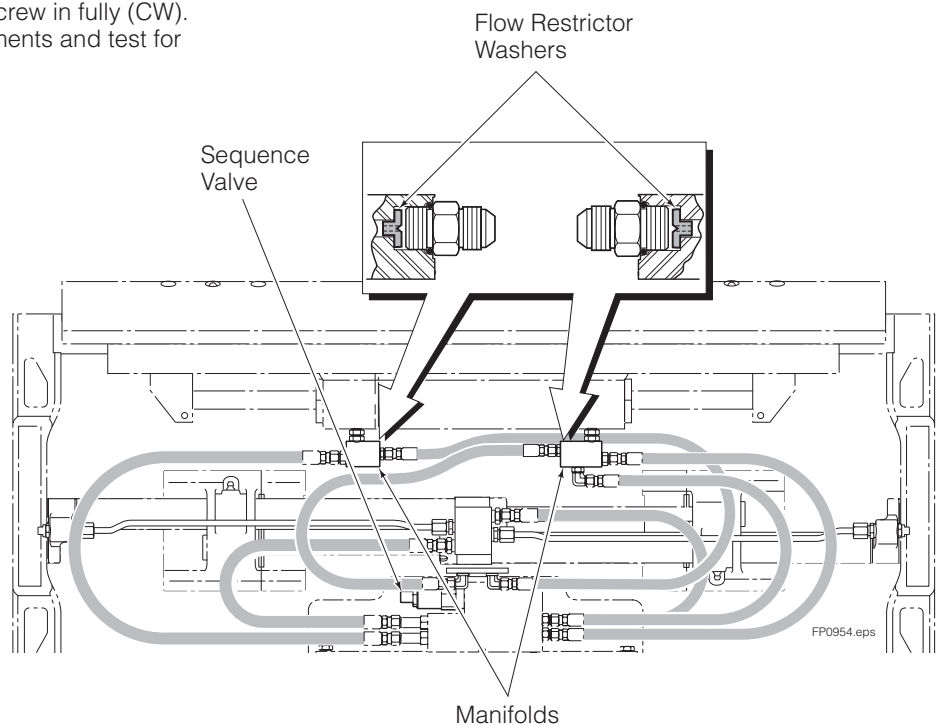
### **SIDESHIFT and SEQUENCE ACTIVATED FORK POSITIONING**

- A** Sideshift Left – Forks Out
- B** Sideshift Right – Forks In

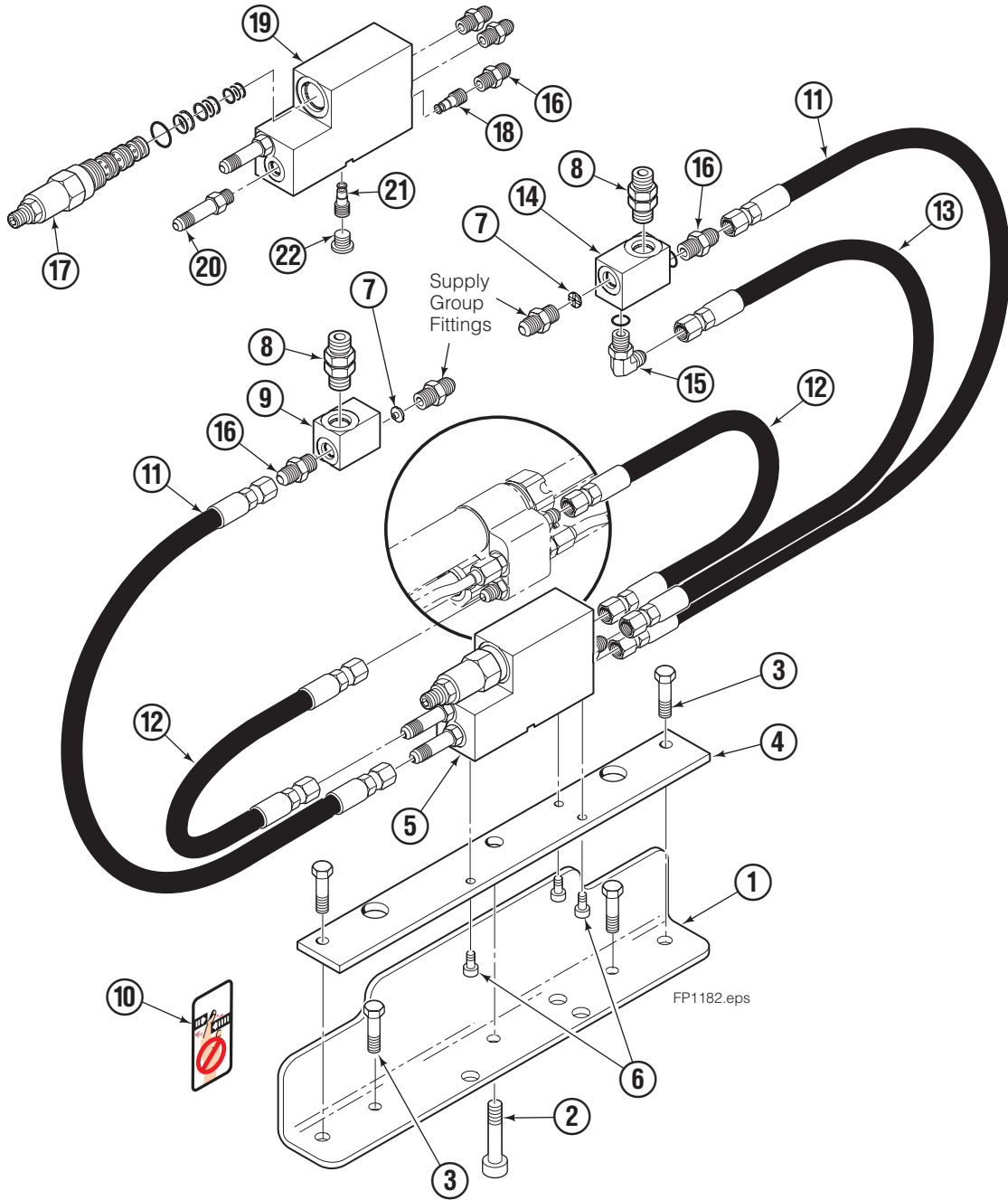
## Sequence Valve Adjustment

The sequence valve is adjusted at the factory and should not require adjustment for installation.

- If the forks move during sideshifting, make sure the sideshift cylinder manifolds have flow restrictor washers installed and they are oriented correctly.
- If the flow restrictor washers are installed correctly, then adjust the sequence valve by turning the screw in fully (CW). Turn the screw out (CCW) in 1/2 turn increments and test for fork movement.



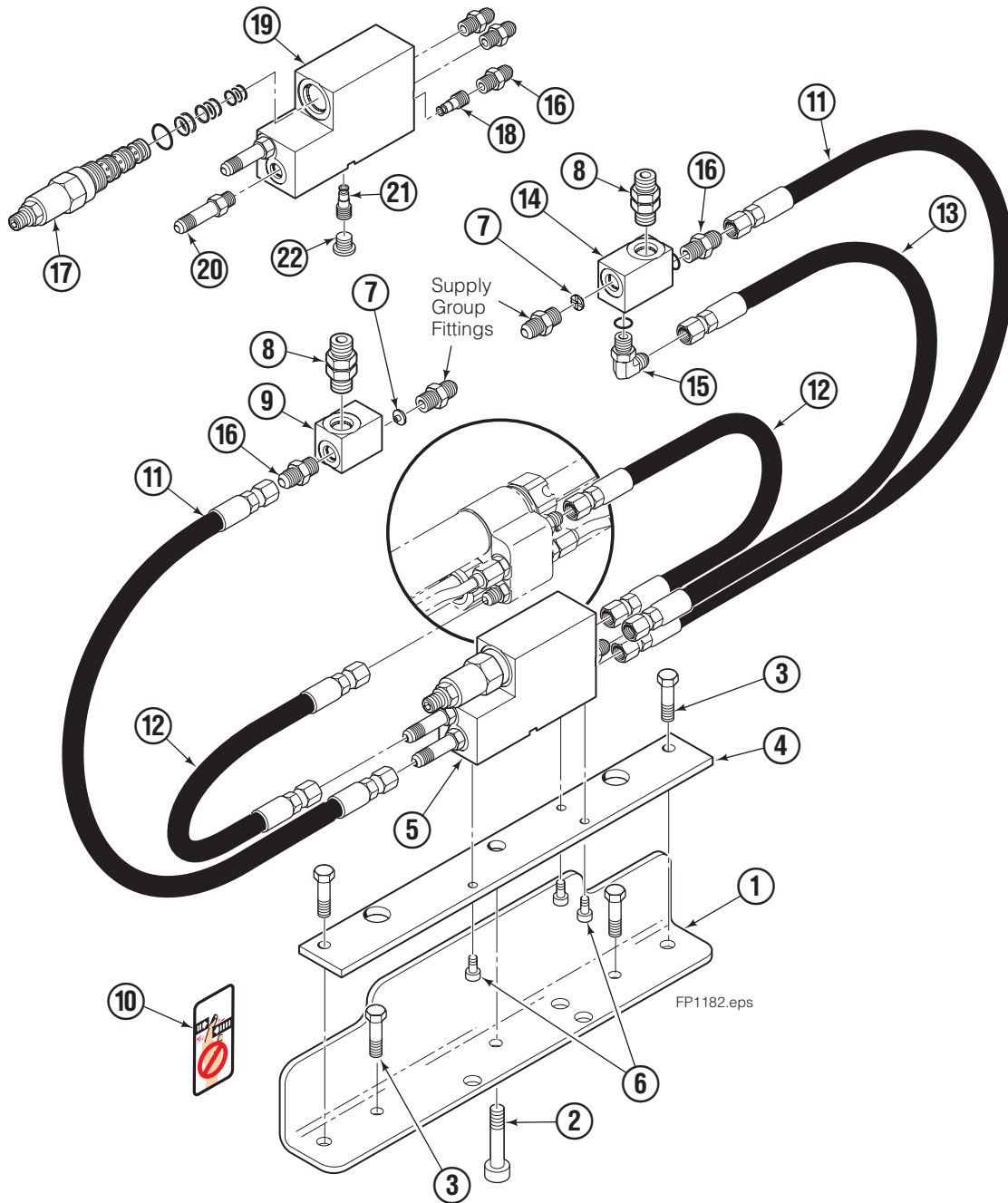
# 55K Sequence Valve Control Kit



REF	QTY	PART NO.	DESCRIPTION	REF	QTY	PART NO.	DESCRIPTION
		6057982	Sequence Valve Control Kit	12	2	6050725	Hose, 15.75 in. (400 mm)
1	1	6070563	Guard	13	1	6050052	Hose, 20.0 in. (510 mm)
2	1	767611	Capscrew, M10 x 40	14	1	6059917	Manifold
3	4	787373	Capscrew, M8 x 25	15	1	617917	Fitting, 4-4
4	1	6059780	Mounting Bar	16	5	617915	Fitting, 4-4
5	1	6057936	Sequence Valve ●	17	1	222464	Sequence Cartridge
6	3	768785	Capscrew, M6 x 10	18	1	220865	Shuttle Valve Cartridge
7	2	564226	Restrictor	19	1	6057934	Valve Block
8	2	201671	Fitting, 6-6	20	2	617916	Fitting, 4
9	1	6059969	Manifold	21	2	6057940	Check Valve Cartridge
10	2	665595	Decal	22	2	609234	Fitting, 4
11	2	6050405	Hose, 22.0 in. (560 mm)				

● Includes items 16-22

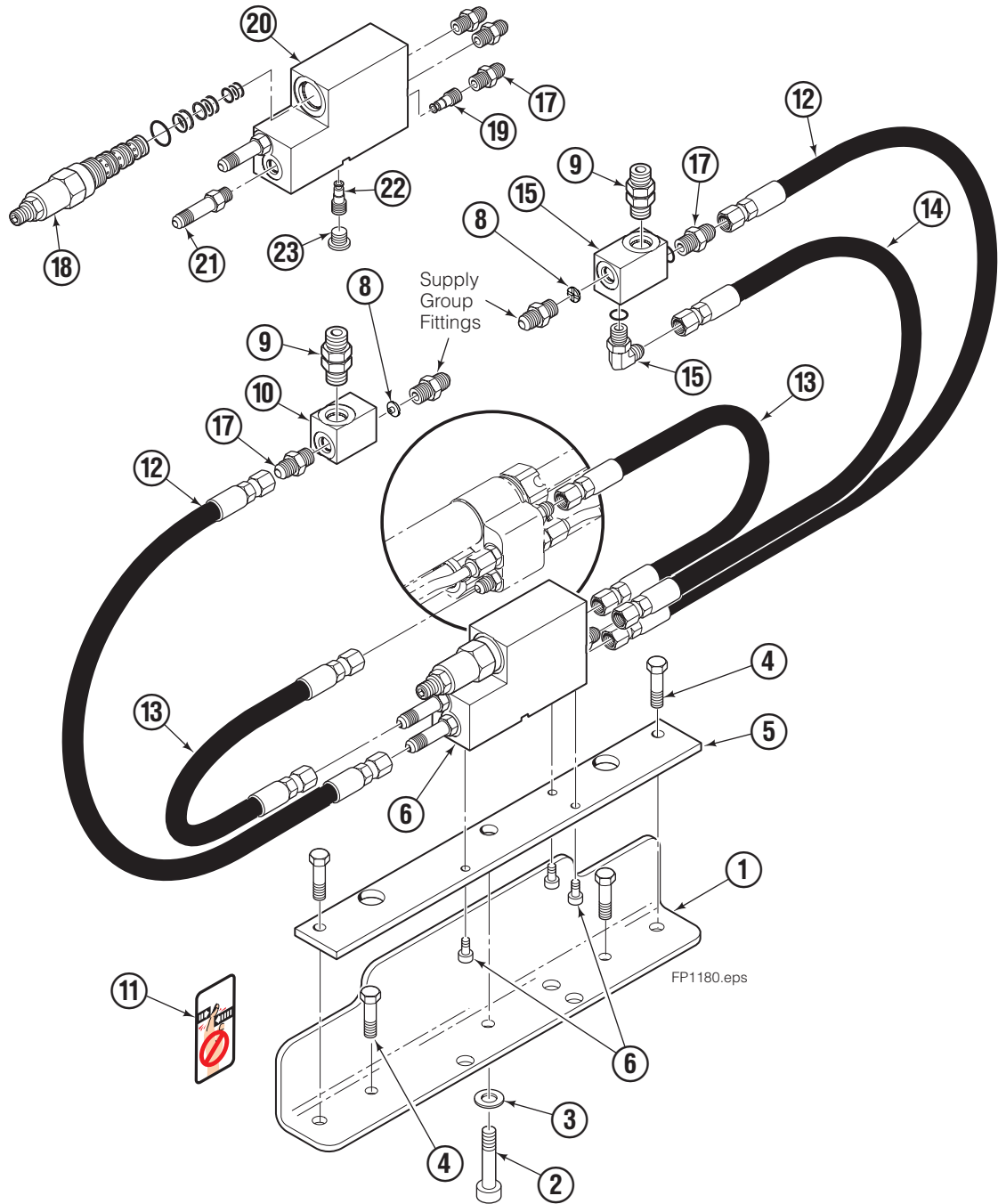
# 65K Sequence Valve Control Kit



REF	QTY	PART NO.	DESCRIPTION	REF	QTY	PART NO.	DESCRIPTION
		6068408	Sequence Valve Control Kit	12	2	6050052	Hose, 20.0 in. (510 mm)
1	1	6070563	Guard	13	1	6064656	Hose, 24.0 in. (610 mm)
2	1	767611	Capscrew, M10 x 40	14	1	6059917	Manifold
3	4	787373	Capscrew, M8 x 25	15	1	617917	Fitting, 4-4
4	1	6059780	Mounting Bar	16	5	617915	Fitting, 4-4
5	1	6057936	Sequence Valve ●	17	1	222464	Sequence Cartridge
6	3	768785	Capscrew, M6 x 10	18	1	220865	Shuttle Valve Cartridge
7	2	564226	Restrictor	19	1	6057934	Valve Block
8	2	201671	Fitting, 6-6	20	2	617916	Fitting, 4
9	1	6059969	Manifold	21	2	6057940	Check Valve Cartridge
10	2	665595	Decal	22	1	609234	Fitting, 4
11	2	6064643	Hose, 27.0 in. (685 mm)				

● Includes items 16-22

# 100K Sequence Valve Control Kit



REF	QTY	PART NO.	DESCRIPTION	REF	QTY	PART NO.	DESCRIPTION
		6074951	Sequence Valve Control Kit	12	2	6064643	Hose, 27.0 in. (685 mm)
1	1	6070563	Guard	13	1	6050052	Hose, 20.0 in. (510 mm)
2	1	767611	Capscrew, M10 x 40	14	1	6064656	Hose, 24.0 in. (610 mm)
3	1	787383	Washer, M10	15	1	6059917	Manifold
4	4	787373	Capscrew, M8 x 25	16	1	617917	Fitting, 4-4
5	1	6059780	Mounting Bar	17	5	617915	Fitting, 4-4
6	1	6057936	Sequence Valve ●	18	1	222464	Sequence Cartridge
7	3	768785	Capscrew, M6 x 10	19	1	220865	Shuttle Valve Cartridge
8	2	564226	Restrictor	20	1	6057934	Valve Block
9	2	201671	Fitting, 6-6	21	2	617916	Fitting, 4
10	1	6059969	Manifold	22	2	6057940	Check Valve Cartridge
11	2	665595	Decal	23	1	609234	Fitting, 4

● Includes items 16-22

**Do you have questions you need answered right now?** Call your nearest Cascade Service Department. Visit us online at [www.cascorp.com](http://www.cascorp.com)

### **AMERICAS**

#### **Cascade Corporation Parts Sales**

2501 Sheridan Ave.  
Springfield, OH 45505  
Tel: 888-CASCADE (227-2233)  
Fax: 888-329-0234

#### **Cascade Canada Inc.**

5570 Timberlea Blvd.  
Mississauga, Ontario  
Canada L4W-4M6  
Tel: 905-629-7777  
Fax: 905-629-7785

#### **Cascade do Brasil**

Rua João Guerra, 134  
Macuco, Santos - SP  
Brasil 11015-130  
Tel: 55-13-2105-8800  
Fax: 55-13-2105-8899

### **EUROPE-AFRICA**

#### **Cascade Italia S.R.L. European Headquarters**

Via Dell'Artigianato 1  
37050 Vago di Lavagno (VR)  
Italy  
Tel: 39-045-8989111  
Fax: 39-045-8989160

#### **Cascade (Africa) Pty. Ltd.**

PO Box 625, Isando 1600  
60A Steel Road  
Sparton, Kempton Park  
South Africa  
Tel: 27-11-975-9240  
Fax: 27-11-394-1147

### **ASIA-PACIFIC**

#### **Cascade Japan Ltd.**

2-23, 2-Chome,  
Kukuchi Nishimachi  
Amagasaki, Hyogo  
Japan, 661-0978  
Tel: 81-6-6420-9771  
Fax: 81-6-6420-9777

#### **Cascade Korea**

121B 9L Namdong Ind.  
Complex, 691-8 Gojan-Dong  
Namdong-Ku  
Inchon, Korea  
Tel: +82-32-821-2051  
Fax: +82-32-821-2055

#### **Cascade-Xiamen**

No. 668 Yangguang Rd.  
Xinyang Industrial Zone  
Haicang, Xiamen City  
Fujian Province  
P.R. China 361026  
Tel: 86-592-651-2500  
Fax: 86-592-651-2571

#### **Cascade India Material Handling Private Limited**

No 34, Global Trade Centre  
1/1 Rambaugh Colony  
Lal Bahadur Shastri Road,  
Navi Peth, Pune 411 030  
(Maharashtra) India  
Phone: +91 020 2432 5490  
Fax: +91 020 2433 0881

#### **Cascade Australia Pty. Ltd.**

1445 Ipswich Road  
Rocklea, QLD 4107  
Australia  
Tel: 1-800-227-223  
Fax: +61 7 3373-7333

#### **Cascade New Zealand**

15 Ra Ora Drive  
East Tamaki, Auckland  
New Zealand  
Tel: +64-9-273-9136  
Fax: +64-9-273-9137

#### **Sunstream Industries Pte. Ltd.**

18 Tuas South Street 5  
Singapore 637796  
Tel: +65-6795-7555  
Fax: +65-6863-1368

