



Installation Instructions

Hydraulic Quick-Disconnect Coupler Kit 6814204

Quick-Disconnect Coupler Kit 6036435 allows a fast and convenient way to connect and disconnect hydraulic hoses to lift truck attachments.

- If a Cascade Hydraulic Installation Kit is being used to plumb the attachment, no additional parts will be required to install the coupling kit.
- If a Cascade Hydraulic Installation Kit is not being used, additional parts will be required. See the lists on the back of this sheet.

- 1** Determine the length of hose required between the truck junction block/hose terminal and the attachment valve. The hose routing must avoid areas where the hoses can be pinched or kinked.

NOTE: Quick-disconnect couplers are approximately 5 in. long. Take this into account when determining hose length.

- 2** Remove the fittings or plugs at the junction block/hose terminal. If the junction block is equipped with ball checks, remove and discard the springs, balls and ball spacers.

- 3** Clean the parts to be assembled with solvent.

- 4** Assemble the hoses and fittings as shown.

NOTE: Fittings are supplied to connect the quick-disconnect couplers to:

No. 6 Attachment Fittings

AND

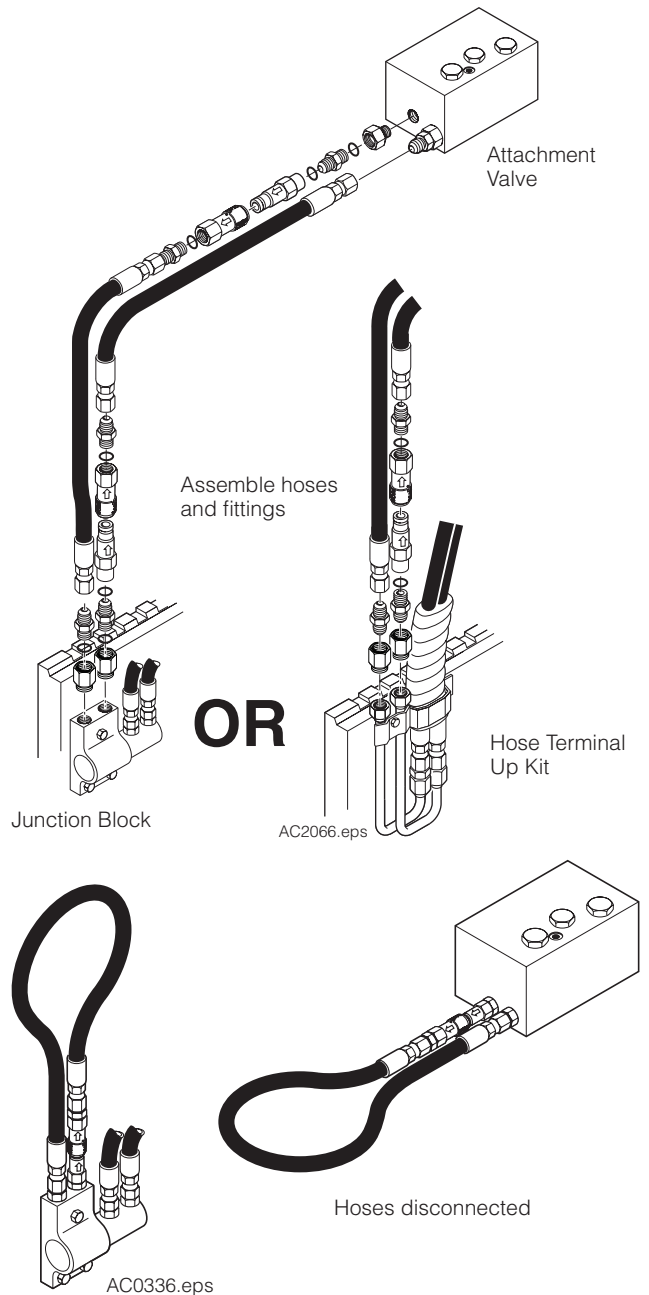
M12S Junction Block

OR

No. 6 / No. 8 hose terminal up kit

If the No. 8 O-ring/No. 8 JIC connectors are used, install the O-ring supplied to the JIC fitting side when the JIC side connects to the quick-disconnect coupling.

- 5** When hoses are disconnected, attach the loose ends back to the junction block/hose terminal or valve as shown. This reduces the chances of contamination entering the hydraulic system.



cascade[®]
corporation

For Technical Support . . .

Call: 1-800-227-2233 Fax: 1-888-329-8207

Internet: www.cascorp.com

Write: Cascade Corporation, PO Box 20187, Portland, OR 97294

To Order Parts . . .

Call: 1-888-227-2233 Fax: 1-888-329-0234

Internet: www.cascorp.com

Write: Cascade Corporation, 2501 Sheridan Ave., Springfield, OH 45505

Parts required for single function Attachment installation

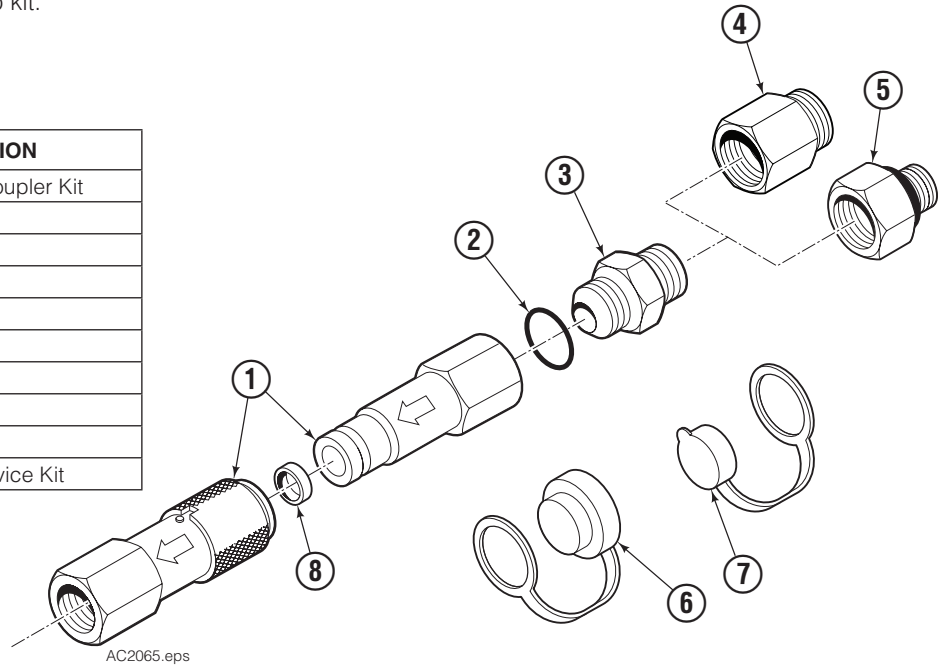
- 2 No. 8 SAE 100R5 Rubber covered hoses with No. 8 female reusable fittings.
- 2 No. 8 O-Ring – No. 8 JIC male connectors.
- 2 No. 8 JIC – No. 8 JIC male connectors.
- 2 No. 8 O-Ring – No. 6 JIC male connectors.
- 2 M12S adapter fittings.

- As required for connection to a No. 6 or No. 8 ported junction block/hose terminal up kit.

Assembly Details

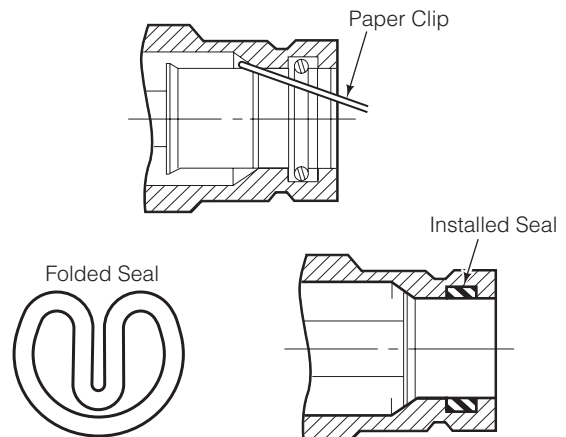
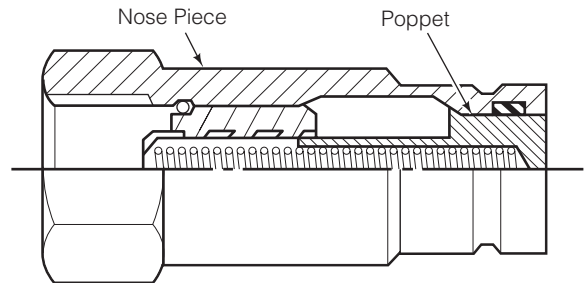
REF	QTY	PART NO.	DESCRIPTION
		6814204	Quick-Disconnect Coupler Kit
1	1	671243	Coupling, 8-8
2	2	2841	O-Ring ▲
3	2	601377	Fitting, 8-8
	2	611288	Fitting, 8-6
4	2	797920	Fitting, 8 JIC - M20
5	2	611340	Fitting, 6-8
6	1	206429	Dust Plug
7	1	206428	Dust Cap
8	1	689171	Nose Piece Seal Service Kit

▲ Use with fitting 601377 only



Nose Piece Seal Replacement

- 1 Wash the nose piece in cleaning solvent and blow dry.
- 2 Use a screwdriver to push the poppet in until it stops. Open a standard paper clip or use a similar wire to insert between the poppet OD and nose piece ID.
- 3 Remove the old seals. **CAUTION:** Do not scratch the seal groove.
- 4 Clean the seal groove.
- 5 Lubricate the new seal with hydraulic oil. Fold the seal in a "U" shape and install into the seal groove.
- 6 Push the poppet in and reposition the paper clip to allow the remaining portion of the seal to be worked into the groove. **CAUTION:** Do not damage the seal inside diameter.
- 7 Push the poppet in and remove the paper clip. Slowly release the poppet.
- 8 If the poppet does not close completely, insert a screwdriver or small rod in the fitting end of the nose piece to manually close the poppet and seat the seal.
- 9 Test the coupler assembly at 2000 psi hydraulic pressure. No leakage is allowable.



AC0331.eps