



Parts Manual

Model _____ Paper Roll Clamp

Serial Number _____ 77F-RDP-141

cascade®
corporation

For Technical Assistance call: 800-227-2233, Fax: 888-329-8207

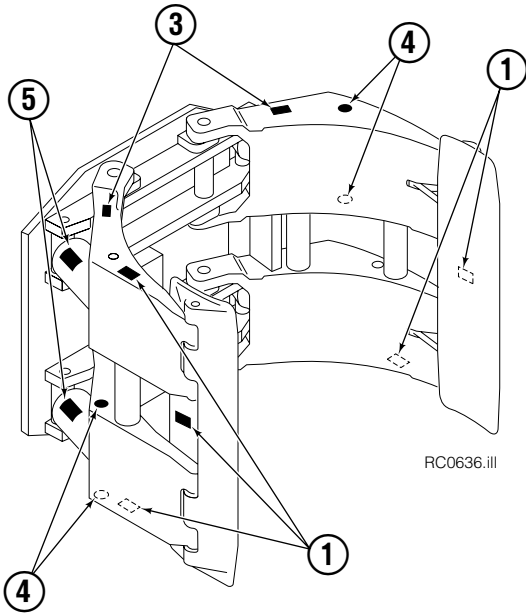
To Order Parts call: 888-227-2233, Fax: 888-329-0234

OR

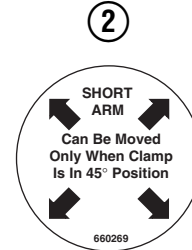
Write: Cascade Corporation, P.O. Box 20187, Portland, OR 97220

Internet: www.cascorp.com

Safety Decals

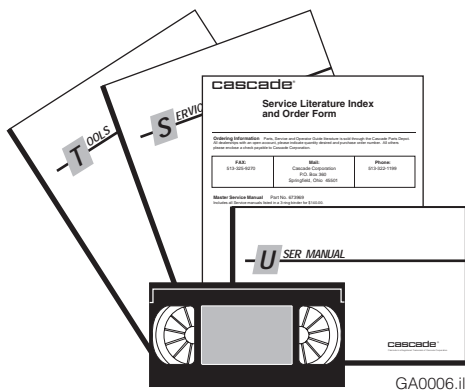


RC0636.ill



Roll Clamp Safety Decals			
REF	QTY	PART NO.	DESCRIPTION
1	6	665595	No Hand Hold Decal
2	3	660269	Short Arm Rotation Position Decal
3	4	656038	Caution Decal
4	4	679150	No Step Decal
5	4	665677	Trapped Pressure Decal
6	1	679059	Quick-Change Hook Decal

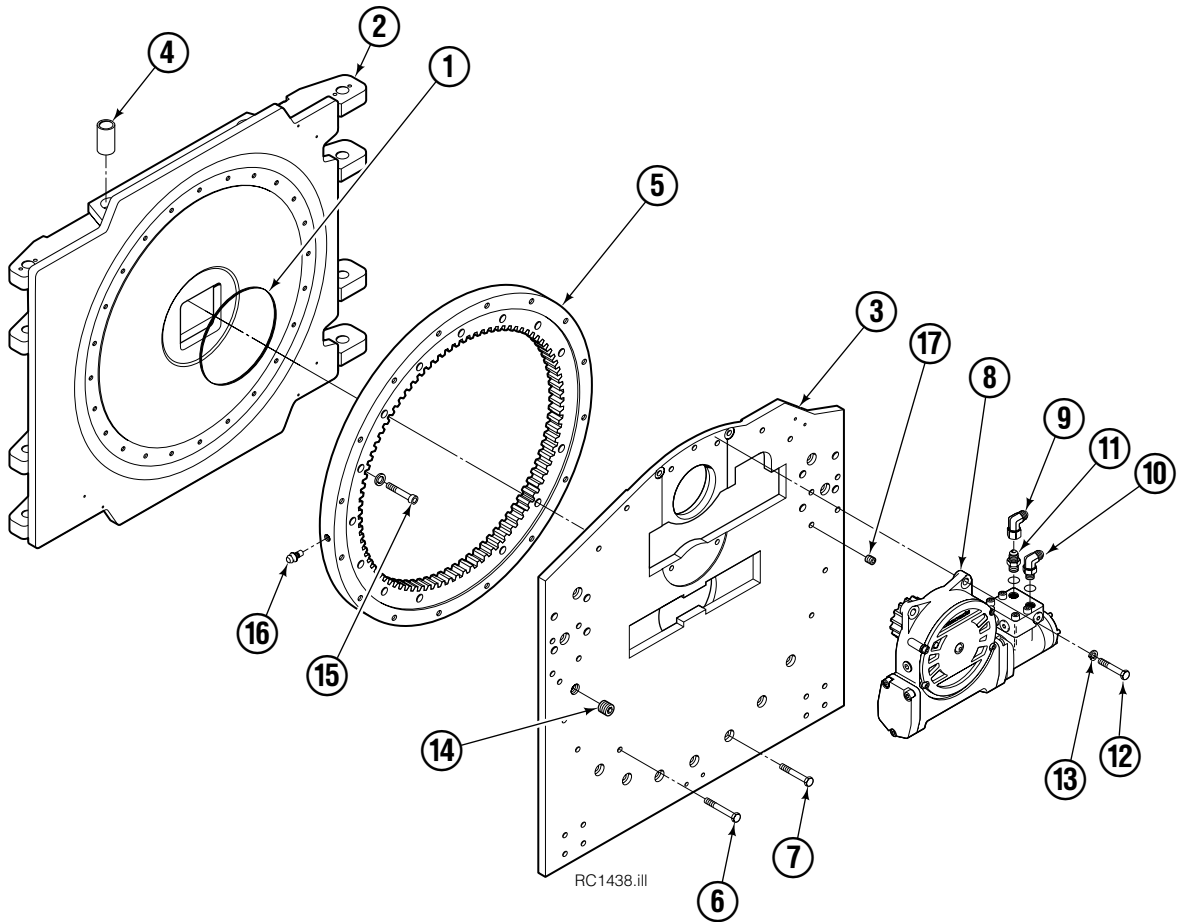
Publications



GA0006.ill

Roll Clamp Publications	
674512	Service Manual
674509	Operator's Guide – Fixed Frame
676268	Operator's Guide – Swing Frame
674510	Installation Instructions – Fixed Frame
674511	Installation Instructions – Swing Frame
677555	Driver Training Video – VHS
678363	Troubleshooting Video – VHS
680664	Servicing Cascade Cylinders – VHS
679929	Tool Catalog
673964	Literature Index Order Form

Frame Group

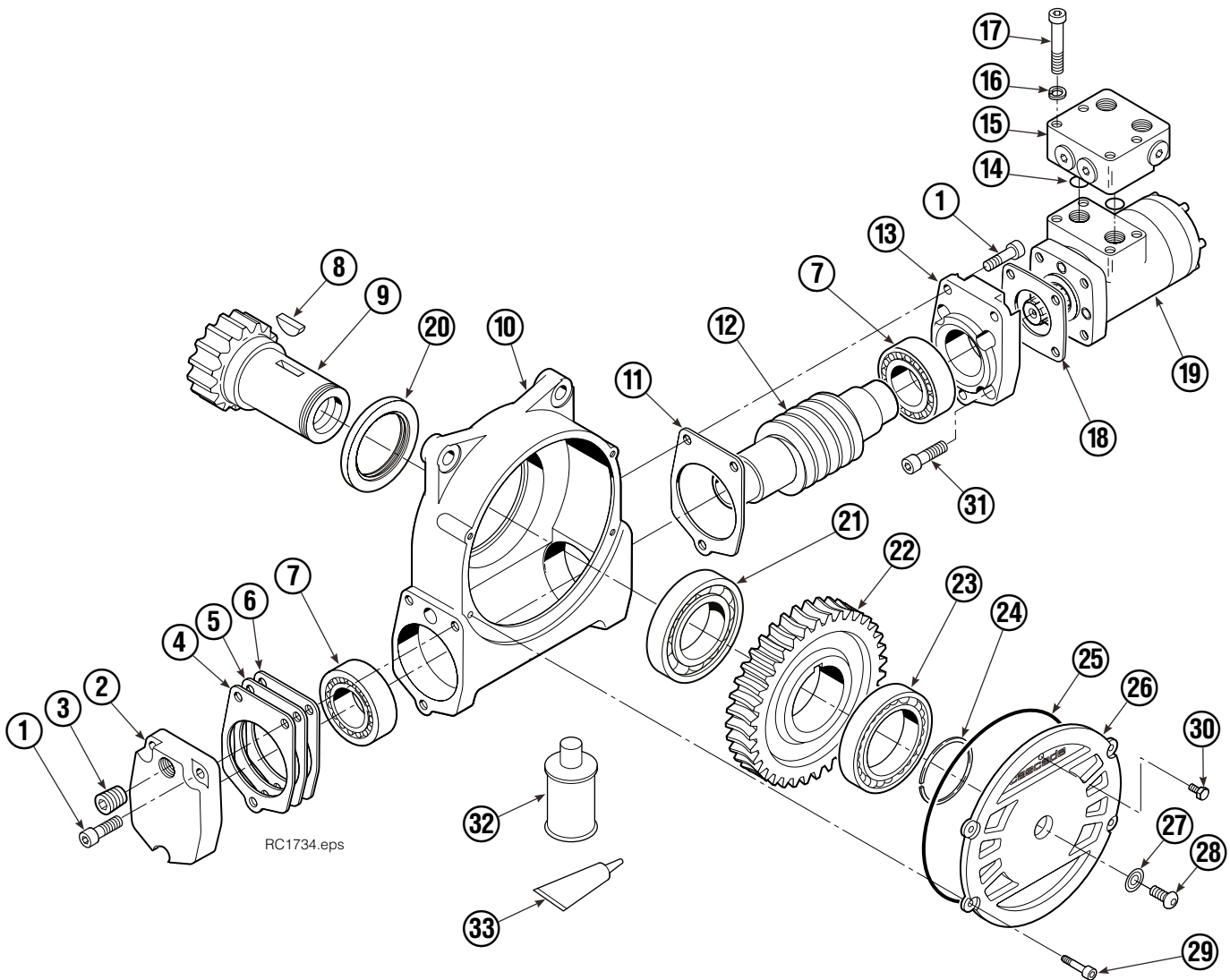


77F			
REF	QTY	PART NO.	DESCRIPTION
		347805	Frame Group
1	1	670931	Seal
2	1	347804	Faceplate
3	1	678381	Baseplate
4	8	675007	Bushing
5	1	672830	Bearing Assembly
6	13	643539	Capscrew, .50 x 1.75
7	11	643538	Capscrew, .50 x 1.50
8	1	795492	Drive Group ●
9	1	605761	Fitting, 8-8
10	1	601250	Fitting, 8-8
11	1	601377	Fitting, 8-8
12	4	661742	Capscrew, .50 x 1.25
13	17	6290	Lockwasher
14	1	6605	Plug
15	24	4507	Capscrew, .50 x 1.75
16	1	7401	Grease Fitting
17	4	631385	Plug
	1	672842	Bearing Service Kit (items 5 and 15)

● See Drive Group page for parts breakdown.

Reference: Common Parts Group 675069.

Drive Group



REF	QTY	PART NO.	DESCRIPTION	REF	QTY	PART NO.	DESCRIPTION
		795492	Drive Group with 2.8 C.I. Motor	18	1	670575	Gasket
1	6	769570	Capscrew, M12 x 25	19	1	206392	Drive Motor – 2.8 C.I. ▼
2	1	676855	Cover	20	1	3014870	Seal
3	1	604510	Fitting, 6	21	1	6033892	Bearing ■
4	●	670574	Shim – .010" (brown)	22	1	675609	Worm Gear
5	●	671757	Shim – .015" (pink)	23	1	670581	Bearing
6	●	671758	Shim – .020" (yellow)	24	1	7214	Snap Ring
7	2	670579	Bearing	25	1	643423	O-Ring
8	1	670582	Key	26	1	775552	Cover
9	1	670556	Pinion	27	1	783609	Seal
10	1	775551	Housing	28	1	783608	Capscrew, M12 x 16
11	1	686465	Gasket	29	4	200882	Capscrew, M8 x 20
12	1	675608	Worm	30	1	644010	Relief Fitting
13	1	775553	Adapter	31	4	4468	Capscrew, 3/8 NC x .75 GR8
14	2	2705	O-Ring	32	1	656300	Gear Box Lube – 48 oz.
15	1	670549	Check Valve ▲	33	1	668184	Sealant
16	4	6444	Lockwasher			670578	Shim Service Kit (items 4-6,11,25,33)
17	4	607059	Capscrew, 5/16 NC x 1.75 GR8			206394	Motor Kit-2.8 (items 11,14,18,19, 33)

● Quantity as required.

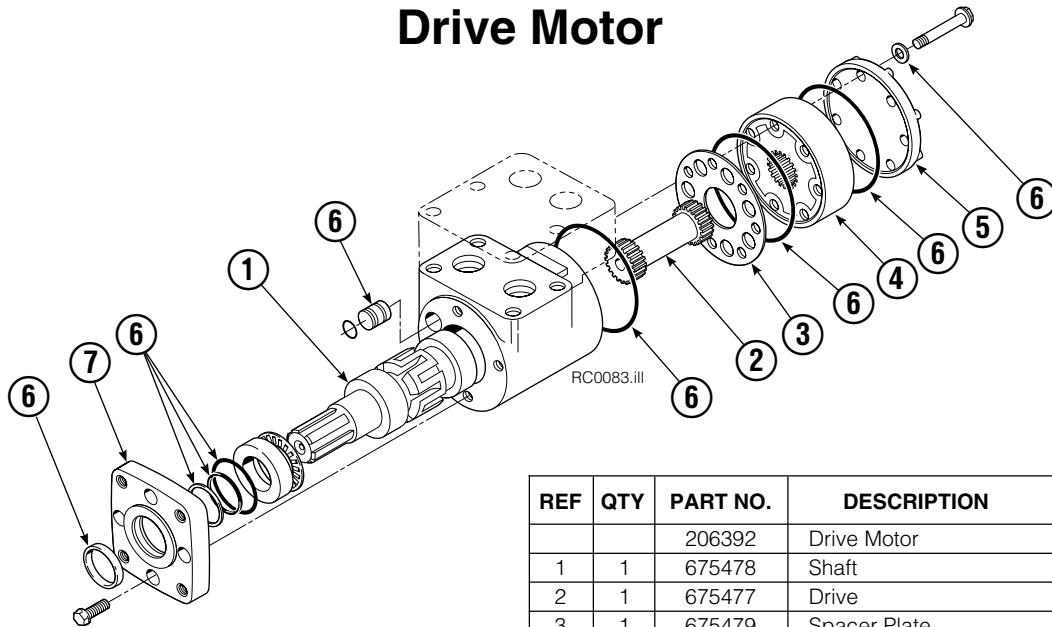
▲ See Check Valve page for parts breakdown.

■ For service replacement use Bearing 670580.

▼ See Drive Motor page for parts breakdown.

Reference: Common Parts 795490, SKN-5527.

Drive Motor



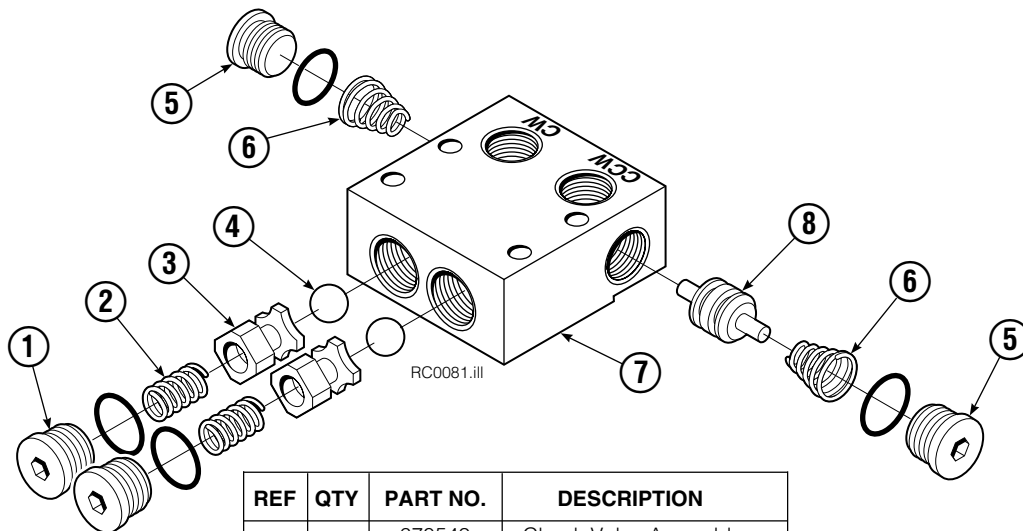
REF	QTY	PART NO.	DESCRIPTION
		206392	Drive Motor
1	1	675478	Shaft
2	1	675477	Drive
3	1	675479	Spacer Plate
4	1	675480	■ Gerotor Set (101-1768-007)
4	1	685075	■ Gerotor Set (101-1768-009)
5	1	675482	End Cap
6	1	206405	● Service Kit
7	1	685089	■ Flange (101-1768-007)
7	1	685090	■ Flange (101-1768-009)

Cascade provides service replacement parts for the listed parts only. Due to cost, if others parts need replacement, the complete drive motor should be replaced.

■ See Nameplate under valve for correct part number of Gerotor Set and Flange.

● Compatible with water glycol based hydraulic fluids.

Check Valve



REF	QTY	PART NO.	DESCRIPTION
		670549	Check Valve Assembly
1	2	609453	Fitting, 10
2	2	670552	Spring
3	2	670551	Guide
4	2	7020	Ball
5	2	602580	Fitting, 8
6	2	673989	Spring
7	1	670550	Body
8	1	670553	Spool

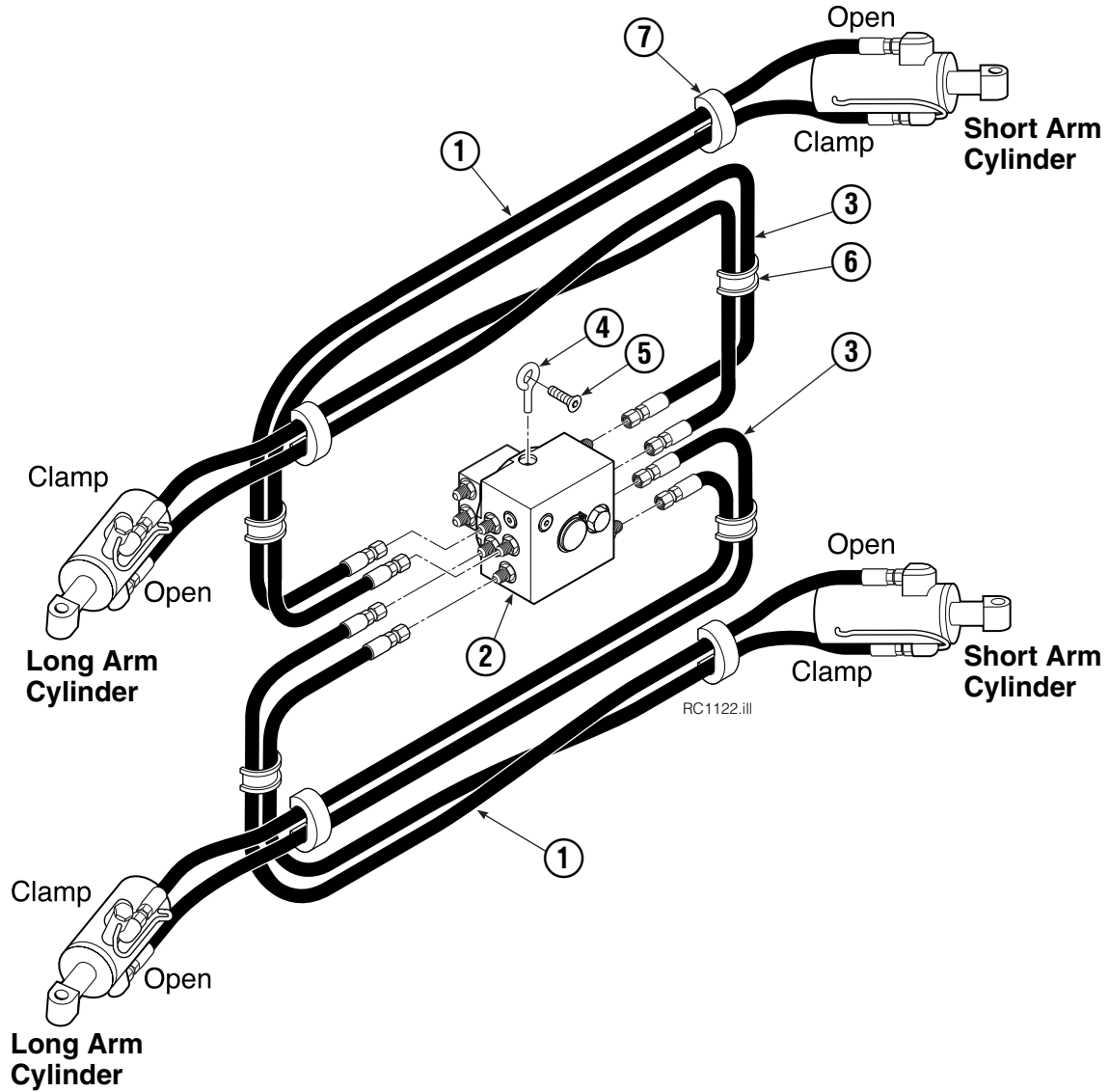
Common Components Group



RC0126.ill

77F			
REF	QTY	PART NO.	DESCRIPTION
		680637	Components Group
1	8	660200	Shim
2	24	4466	Capscrew, 3/8 NC x .50 GR8
3	8	674828	Retainer
4	8	680651	Pin
5	8	673385	Drive Pin
6	4	674830	Retainer
7	4	675022	Pin
8	4	681673	Spacer
9	16	673379	Shim
10	4	675086	Drive Pin

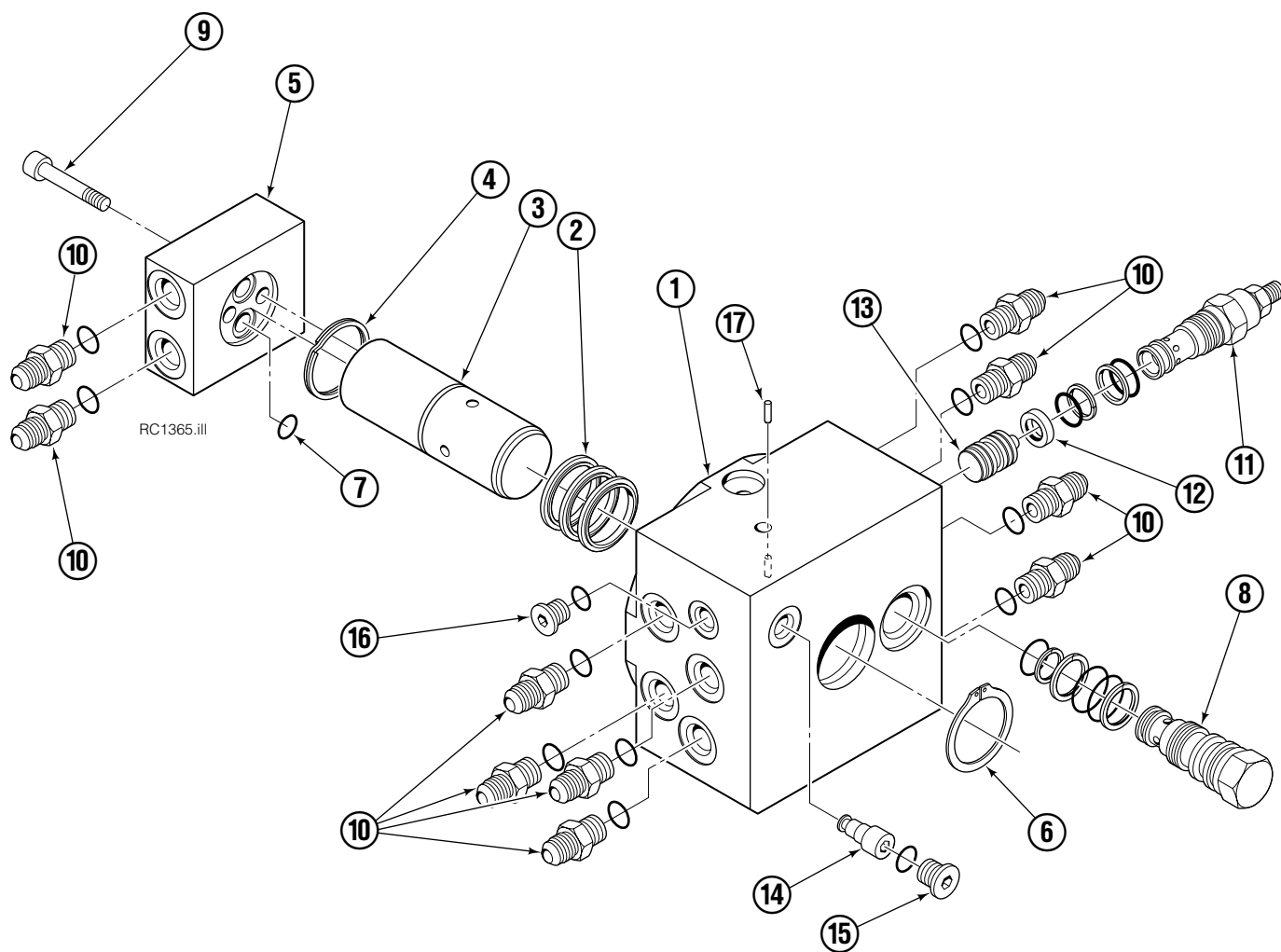
Hosing Group



77F			
REF	QTY	PART NO.	DESCRIPTION
		6026316	Hosing Group
1	4	680238	Hose, 58.75 in.
2	1	6025982	Revolving Connection ▲
3	4	681231	Hose, 53.00 in.
4	2	227962	Eye Pin
5	2	4751	Capscrew, M10 x 25
6	4	680114	Insert
7	4	673417	Segment

▲ See Revolving Connection page for parts breakdown.

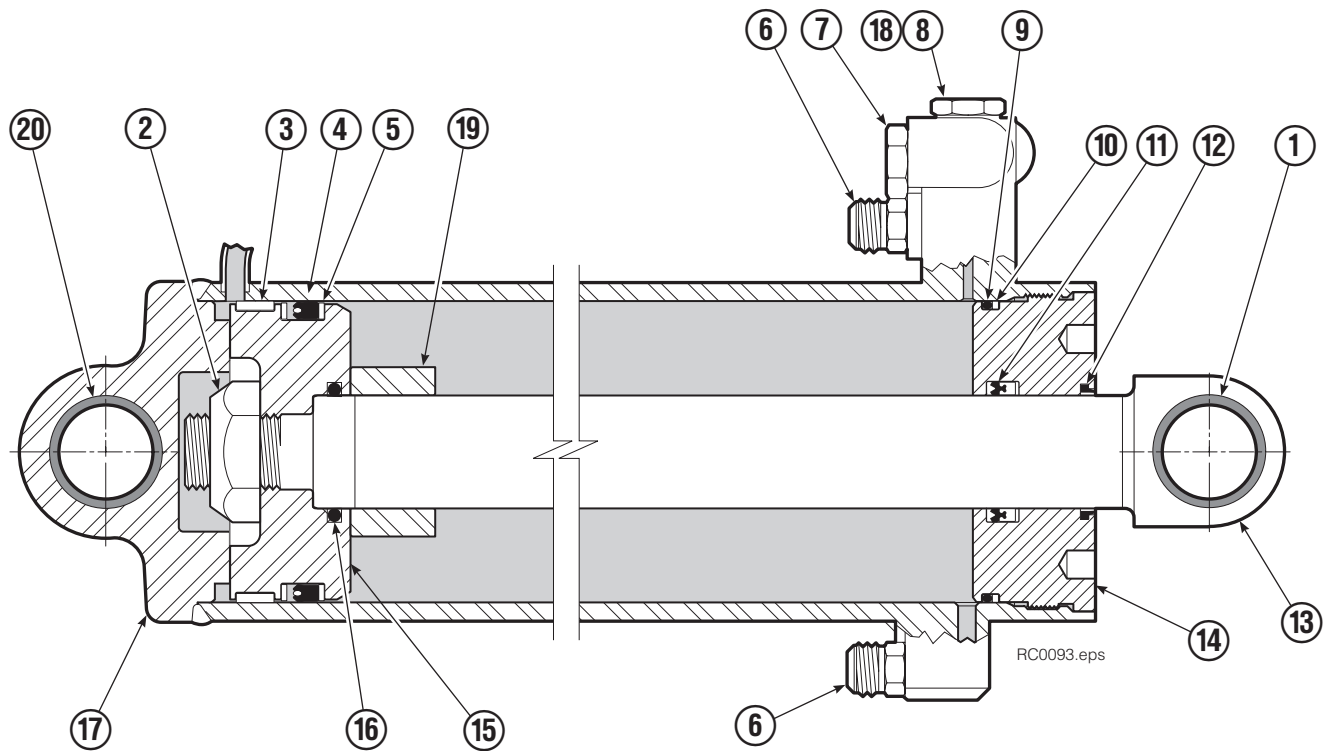
Revolving Connection



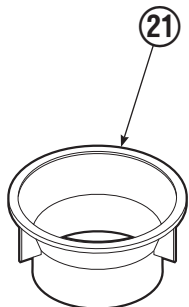
77F							
REF	QTY	PART NO.	DESCRIPTION	REF	QTY	PART NO.	DESCRIPTION
		6025982	Revolving Connection	9	2	768798	◆ Capscrew, M8 x 45
1	1	6025914	Body	10	10	604511	Fitting, 6-6
2	3	214649	◆ Seal	11	1	227331	Sequence Valve
3	1	6023274	Shaft	12	1	227318	◆ Quad Ring
4	1	7341	◆ Retaining Ring	13	1	227320	Spool
5	1	6023344	End Block	14	1	220865	Shuttle Check
6	1	3138	◆ Retaining Ring	15	1	609234	Fitting
7	2	684587	◆ O-ring	16	1	663694	Fitting
8	1	6024293	Flow Divider Cartridge	17	1	6020466	Pin Restrictor

◆ Included in Seal Kit 6025987.

Cylinder Assembly – Short Arm



RC0093.eps

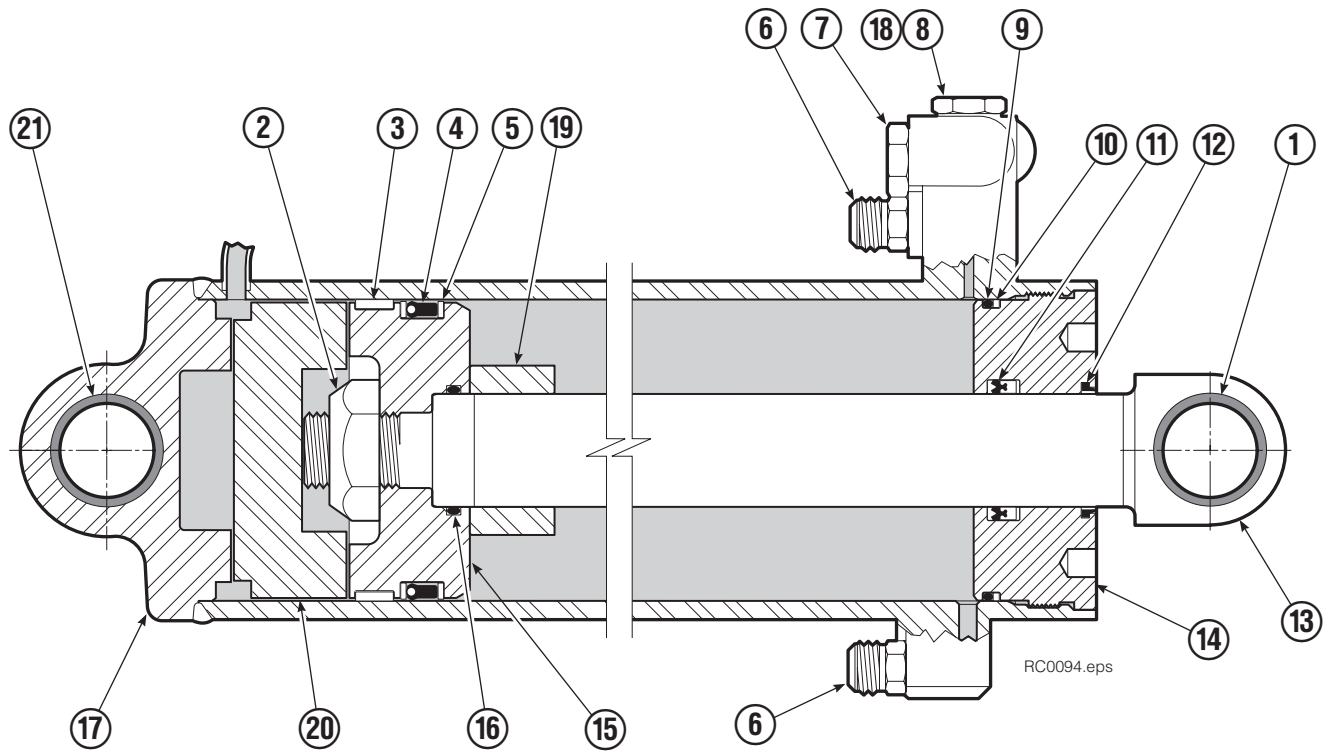


REF	QTY	PART NO.	DESCRIPTION
		557369	Cylinder Assembly
1	1	674843	Bearing
2	1	560997	Nut
3	1	660769	◆ Bearing
4	1	662462	◆ Seal
5	2	638295	◆ Back-Up Ring
6	2	604511	Fitting, 6-6
7	1	556852	Fitting, 4
8	1	557212	Check Valve
9	1	6025373	◆ O-Ring
10	1	615144	◆ Back-Up Ring
11	1	554598	◆ Seal
12	1	564930	◆ Wiper
13	1	557398	Rod
14	1	555724	Retainer
15	1	557389	Piston
16	1	2722	◆ O-Ring
17	1	557174	Shell
18	1	667516	Check Valve Service Kit
19	1	—	Spacer
20	2	675006	Bearing
21	1	669243	Seal Loader
		555725	Service Kit

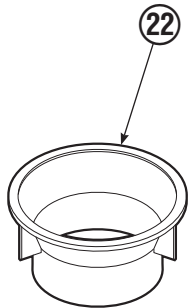
▲ Included in Service Kit 555725.

Reference: S-5313, S-5314.

Cylinder Assembly – Long Arm



RC0094.eps

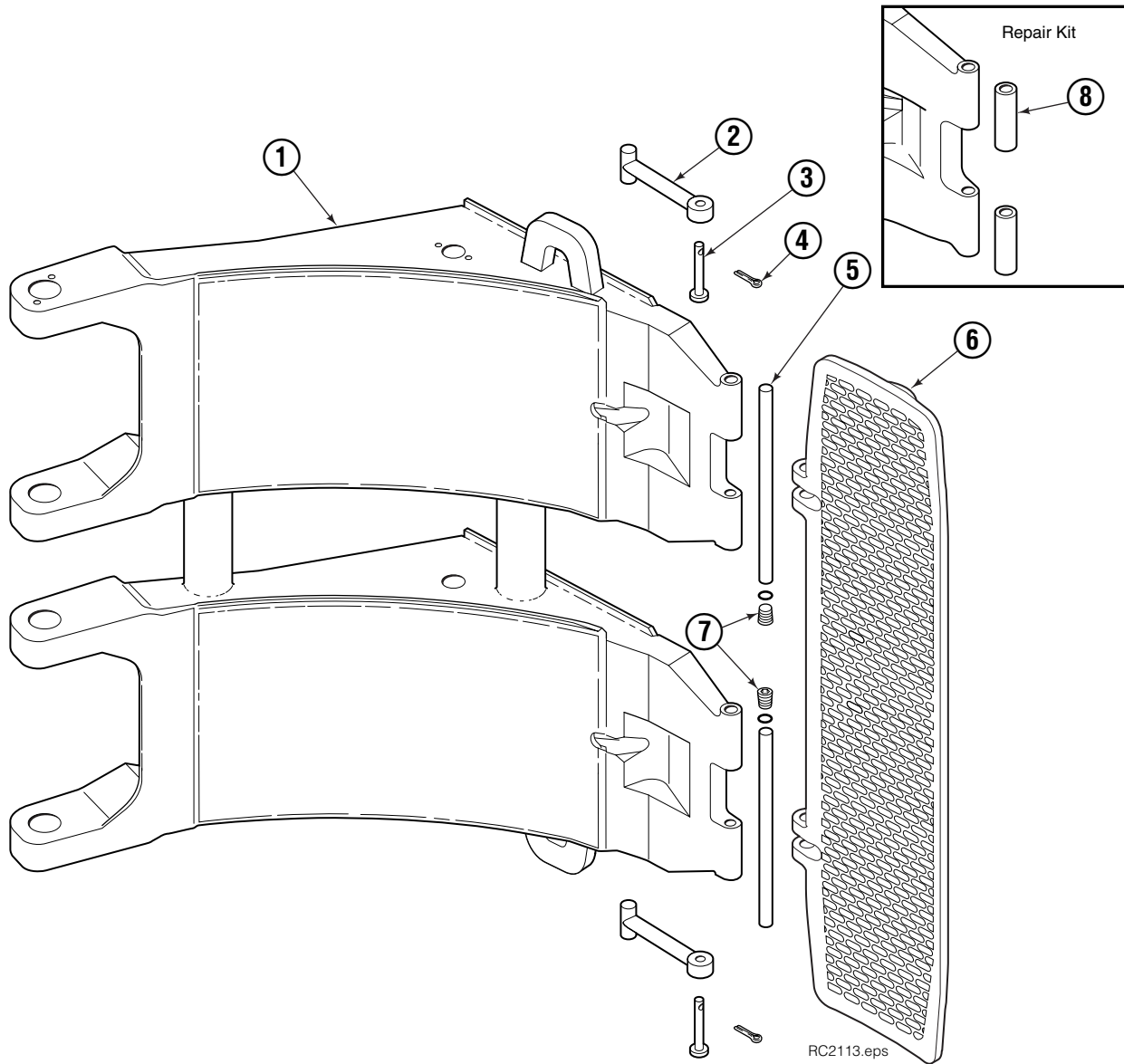


REF	QTY	PART NO.	DESCRIPTION
		557388	Cylinder Assembly
1	1	674843	Bearing
2	1	560997	Nut
3	1	660769	◆ Bearing, Nylon
4	1	662462	◆ Seal
5	2	638295	◆ Nylon Ring
6	2	604511	Fitting, 6-6
7	1	556852	Fitting, 4
8	1	557212	Check Valve
9	1	6025373	◆ O-Ring
10	1	615144	◆ Back-Up Ring
11	1	554598	◆ Seal
12	1	564930	◆ Wiper
13	1	557406	Rod
14	1	555724	Retainer
15	1	557389	Piston
16	1	2722	◆ O-Ring
17	1	557223	Shell
18	1	667516	Check Valve Service Kit
19	1	—	Spacer – Rod (S-5165)
20	1	—	Spacer – Head (S-4353)
21	2	675006	Bearing
22	1	669243	Seal Loader
		555725	Service Kit

◆ Included in Service Kit 555725.

Reference: S-5320, S-5321.

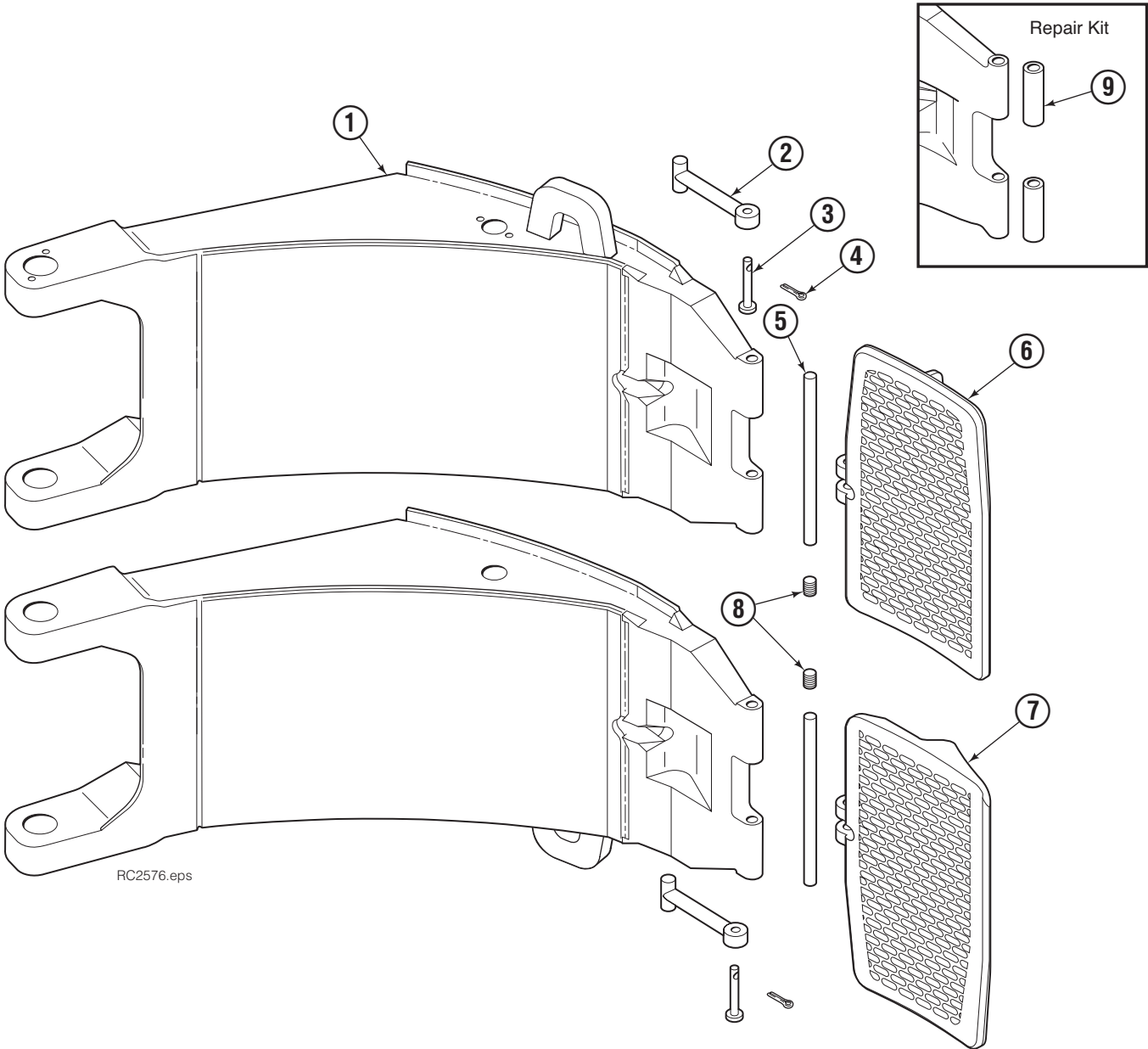
Contact Pad Group – Short Arm



77F			
REF	QTY	PART NO.	DESCRIPTION
		6023642	Contact Pad Group ♦
1	1	6040429	Short Arm
2	2	674994	Link
3	2	682978	Clevis Pin
4	2	6525	Cotter Pin
5	2	674993	Pin
6	1	6023430	Contact Pad
7	2	689900	Plug
8	1	676810	Arm Tip Repair Kit

♦ Includes items 2 – 7 only.

Contact Pad Group – Split Long Arm



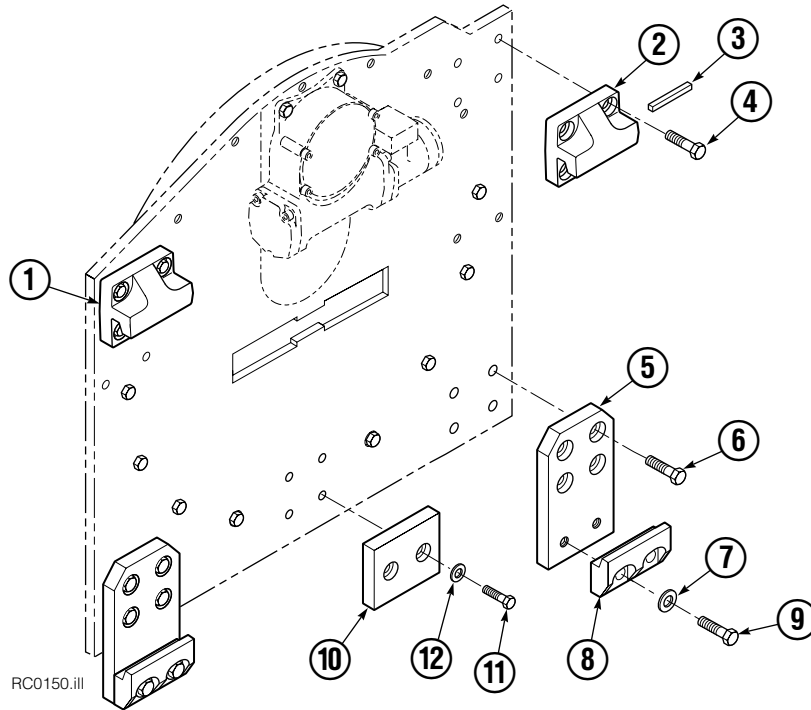
RC2576.eps

77F			
REF	QTY	PART NO.	DESCRIPTION
		6023643	Contact Pad Group ◆
1	1	6061655	▲ Long Arm – LH
	1	6061654	▲ Long Arm – RH
2	2	674994	Link
3	2	682978	Clevis Pin
4	2	6525	Cotter Pin
5	2	674993	Pin
6	1	6023610	Contact Pad
7	1	6023611	Contact Pad
8	2	689900	Plug
9	1	676810	Arm Tip Repair Kit

◆ Includes items 2 – 8 only.

▲ Included in Long Arm Group 6040430.

Bolt-On Mounting Group



RC0150.iii

Class IV, 0°			
REF	QTY	PART NO.	DESCRIPTION
		678504	Mounting Group
1	1	675062	Upper Hook – LH
2	1	675061	Upper Hook – RH
3	1	670704	Stop Kit
4	8	675078	Capscrew, 3/4 NC x 1.50
5	2	675082	Extension
6	8	673387	Capscrew, 5/8 NC x 1.75
7	4	670692	Washer
8	2	679832	Lower Hook
9	4	675079	Capscrew, 3/4 NC x 2.00
10	1	675081	Center Spacer
11	2	4472	Capscrew, 3/8 NC x 1.50
12	2	6372	Lockwasher, 3/8 in. ID

Do you have questions you need answered right now? Call your nearest Cascade Parts Department. Visit us online at www.cascorp.com

**Cascade Corporation
U.S. Headquarters**
2201 NE 201st
Fairview, OR 97024-9718
Tel: 800-CASCADE (227-2233)
FAX: 888-329-8207

Cascade Canada Inc.
5570 Timberlea Blvd.
Mississauga, Ontario
Canada L4W-4M6
Tel: 905-629-7777
FAX: 905-629-7785

Cascade GmbH
Niederwippekühl 1
58579 Schalksmühle
Germany
Tel: 02355-50900
FAX: 02355-509020

Cascade Finland
A. Petreliuksenkatu 3
01370 Vantaa
Finland
Tel: 09-8361925
FAX: 09-8361935

**Cascade N.V.
Benelux Sales and Service**
Damsluisweg 56
PO Box 3009
1300 El Almere
The Netherlands
Tel: 036-5492950
FAX: 036-5492974

Cascade (UK) Ltd.
Unit 4, 12 O'Clock Court
Attercliffe Road
Sheffield, S4 7WW
England
Tel: 0870-850-8756
FAX: 0870-850-8757

**Sales Scotland
Macade Systems Ltd.**
18 Melford Road
Righead Ind. Estate
Bellshill ML4 3LR
Scotland
Tel: 01698-845777
FAX: 01698-845888

Cascade (Africa) Pty. Ltd.
PO Box 625, Isando 1600
60A Steel Road
Sparton, Kempton Park
South Africa
Tel: 27-11-975-9240
FAX: 27-11-394-1147

Cascade Scandinavia AB
Hammarvägen 10
PO Box 124
S-56723 Vaggeryd
Sweden
Tel: 039-336950
FAX: 039-336959

**Cascade France
S.A.R.L. MHP**
1D Rue De Charaintru BP 18,
91360 Epinay-Sur-Orge
France
Tel: 01-6454-7500
FAX: 01-6454-7501

Cascade Hispania S.A.
Carrer 5, Sector C
Zona Franca Duanera
Poligono de la Zona Franca
08040 Barcelona, Spain
Tel: 93-264-07-30
FAX: 93-264-07-31

Cascade Italia S.R.L.
Via Dell'Artigianato 1
37050 Vago di Lavagno (VR)
Italy
Tel: 39-045-8989111
FAX: 39-045-8989160

Movimenta Lda.
Parque Industrial
Vale do Alecrim, Lote 108
2950-403 Palmela
Portugal
Tel: 351-212387340
FAX: 351-212387349

**Sales Switzerland
Fahrzeugbedarf**
8810, Horgen
Switzerland
Tel: 01-7279797
FAX: 01-7279798

Sales Poland
Targowa 35/61
03-728 Warszawa
Tel: 022-619 00 49
FAX: 022-619 00 49
Mobile Tel: 0501-27 29 55

Sales Russia
EMCG Material Handling
Equipment
Moscow
Tel: 095-795-2400
FAX: 095-795-2475
Email: emcg@emcg.ru

Cascade Japan Ltd.
5-5-41,
Torikai Kami
Settsu, Osaka
Japan, 566
Tel: 81-726-53-3490
FAX: 81-726-53-3497

Cascade Korea
121B 9L Namdong Ind.
Complex, 691-8 Gojan-Dong
Namdong-Ku
Inchon, 405-310 Korea
Tel: 82-32-821-2051
FAX: 82-32-821-2055

Cascade Australia
1445 Ipswich Road
Rocklea, QLD 4107
Australia
Tel: 1-800-227-223
FAX: 617-3373-7333

Cascade New Zealand
15 Ra Ora Drive
East Tamaki, Auckland
New Zealand
Tel: 64-9-273-9136
FAX: 64-9-273-9137

Cascade-Xiamen
No. 668 Yangguang Rd.
Xinyang Industrial Zone
Haicang, Xiamen City
Fujian Province
P.R. China 361026
Tel: 86-592-651-2500
FAX: 86-592-651-2571

**Sunstream Industries
Pte Ltd.**
No. 3 Tuas Link 1
2263
Singapore
Tel: 65-6863-3488
FAX: 65-6863-1368

**Cascade do Brasil
Distribuidora de Garras
e Garfos LTDA**
Av. General Valdomiro
de Lima 43
Jabaquara - Sao Paulo - S.P.
Brasil CEP 04344-070
Tel: 55-11-5016-2484
Fax: 55-11-5013-2809

