



Parts Manual

Model _____ Fork Positioner _____

Serial Number _____ 55K-IFS-A086 R1 _____

cascade[®]
corporation

For Technical Assistance call: 800-227-2233, Fax: 888-329-8207

To Order Parts call: 888-227-2233, Fax: 888-329-0234

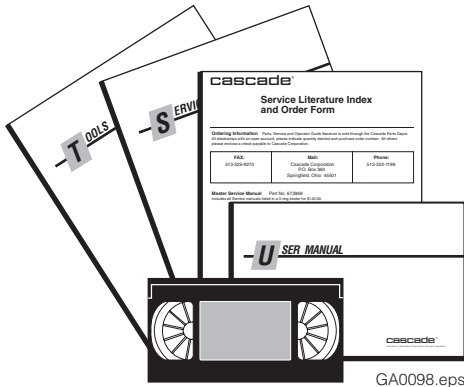
OR

Write: Cascade Corporation, P.O. Box 20187, Portland, OR 97220

Internet: www.cascorp.com

Recommended Spare Parts & Publications

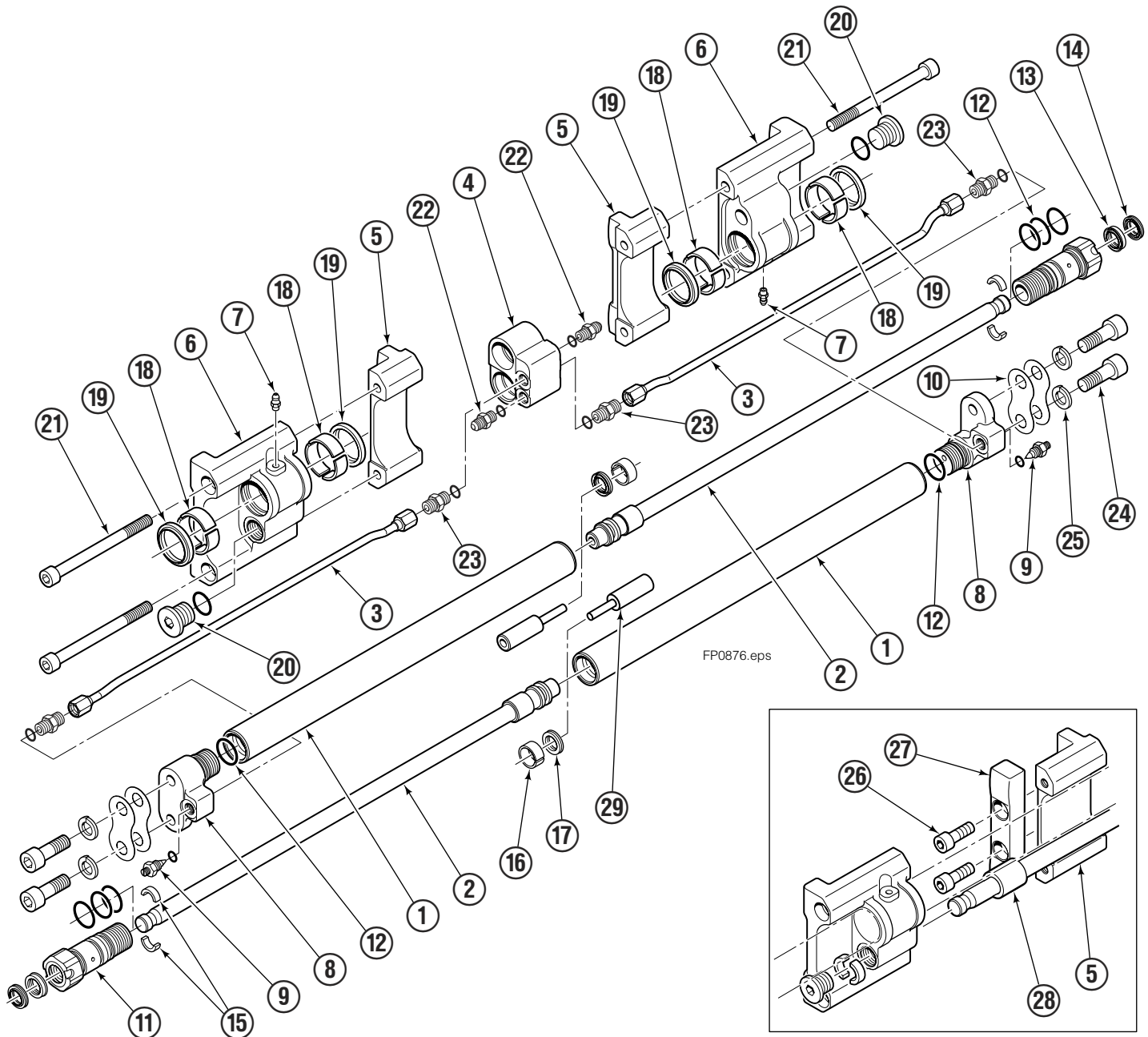
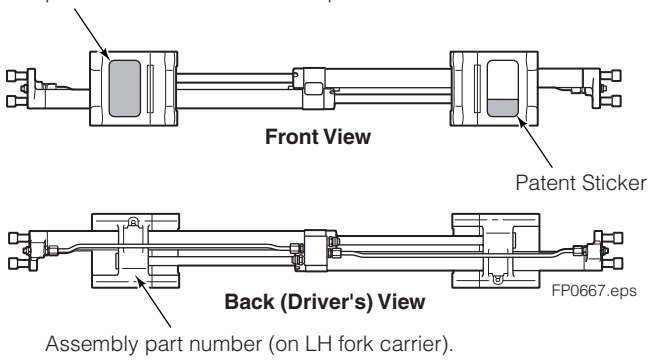
| K-Series Integral Fork Positioner | | | | |
|-----------------------------------|-------------------------------|----------------------|------|-------|
| PART NUMBER | DESCRIPTION | ATTACHMENTS SERVICED | | |
| | | 1-5 | 6-19 | 20-50 |
| | FORK POSITIONER | | | |
| 6055389 | Cylinder Internal Service Kit | 0 | 4 | 8 |
| 6055390 | Composite Bearing Service Kit | 1 | 2 | 4 |
| 6055391 | Bronze Bearing Service Kit | 1 | 2 | 4 |
| 6039245 | Mounting Shims | 4 | 6 | 8 |



| K-Series Integral FP | |
|----------------------|---|
| 6045671 | User Manual (Operator's Guide, Installation, Periodic Maintenance, Parts) |
| 6053927 | Service Manual |
| 679929 | Tool Catalog |
| 673964 | Literature Index Order Form |

Fork Positioner Assembly

Sticker showing operating pressure, phone numbers for service & parts.



Fork Positioner Assembly

Items that vary by width

| 55K | | | |
|-------------------|---|---------------------------------------|-----------------------------|
| ASSEMBLY PART NO. | REF. NO. 1 ★ CYLINDER SHELL QTY 2 | REF. NO. 2 ★ CYLINDER ROD QTY 2 | REF. NO. 3 TUBE QTY 2 |
| 6056265 | 6045839 | 6045841 | 6045850 |

| REF | QTY | PART NO. | DESCRIPTION |
|-----|-----|----------|---|
| | | 6045408 | Common Parts Group |
| 4 | 1 | 6043391 | Manifold |
| 5 | 2 | 6052301 | ◆ Fork Carrier, Inner, 80/100/122 mm Fork |
| 6 | 2 | 6042449 | Fork Carrier, Outer |
| 7 | 2 | 424115 | Grease Fitting |
| 8 | 2 | 6052709 | Cylinder Head End |
| 9 | 2 | 6042658 | Restrictor Fitting |
| 10 | 4 | 6039245 | Shim |
| 11 | 2 | 6039028 | Cylinder Retainer |
| | 2 | 6055787 | Cylinder Retainer w/Seals (Items 12-14) |
| 12 | 8 | 666183 | O-Ring, Retainer OD ✘ |
| 13 | 2 | 6039179 | Rod Seal, Retainer ✘ |
| 14 | 2 | 6039180 | Rod Wiper, Retainer ✘ |
| 15 | 4 | 6042830 | Half-Ring Keeper |
| 16 | 2 | 6039172 | Piston Wear Ring ✘ |
| 17 | 2 | 6047577 | Piston Seal ✘ |
| 18 | 4 | 6039171 | Bearing, Composite ✓ |
| 19 | 4 | 6043341 | Wiper ✓ |
| 20 | 2 | 6043316 | Rod Retainer Plug |
| 21 | 4 | 768824 | Capscrew, M10 x 120 |
| 22 | 2 | 6043332 | Fitting, M10 to No.4 JIC ● |
| 23 | 4 | 6042689 | Fitting, M10 to EO-2 Tube |
| 24 | 4 | 769572 | Capscrew, M12 x 35 ■ |
| 25 | 4 | 684660 | Lockwasher, M12 ■ |
| 26 | 4 | 767615 | ◆ Capscrew, M10 x 25 |
| 27 | 2 | 6052315 | ◆ Spacer Bar |
| 28 | 2 | — | Rod Spacer |
| 29 | 2 | 6055038 | Piston Spacer |

★ If cylinder shell and/or rod needs replacing due to bending damage, the best value is to order a complete Fork Positioner Assembly.

◆ Included in Fork Carrier Assembly 6052316.

✘ Included in Cylinder Service Kit 6055389.

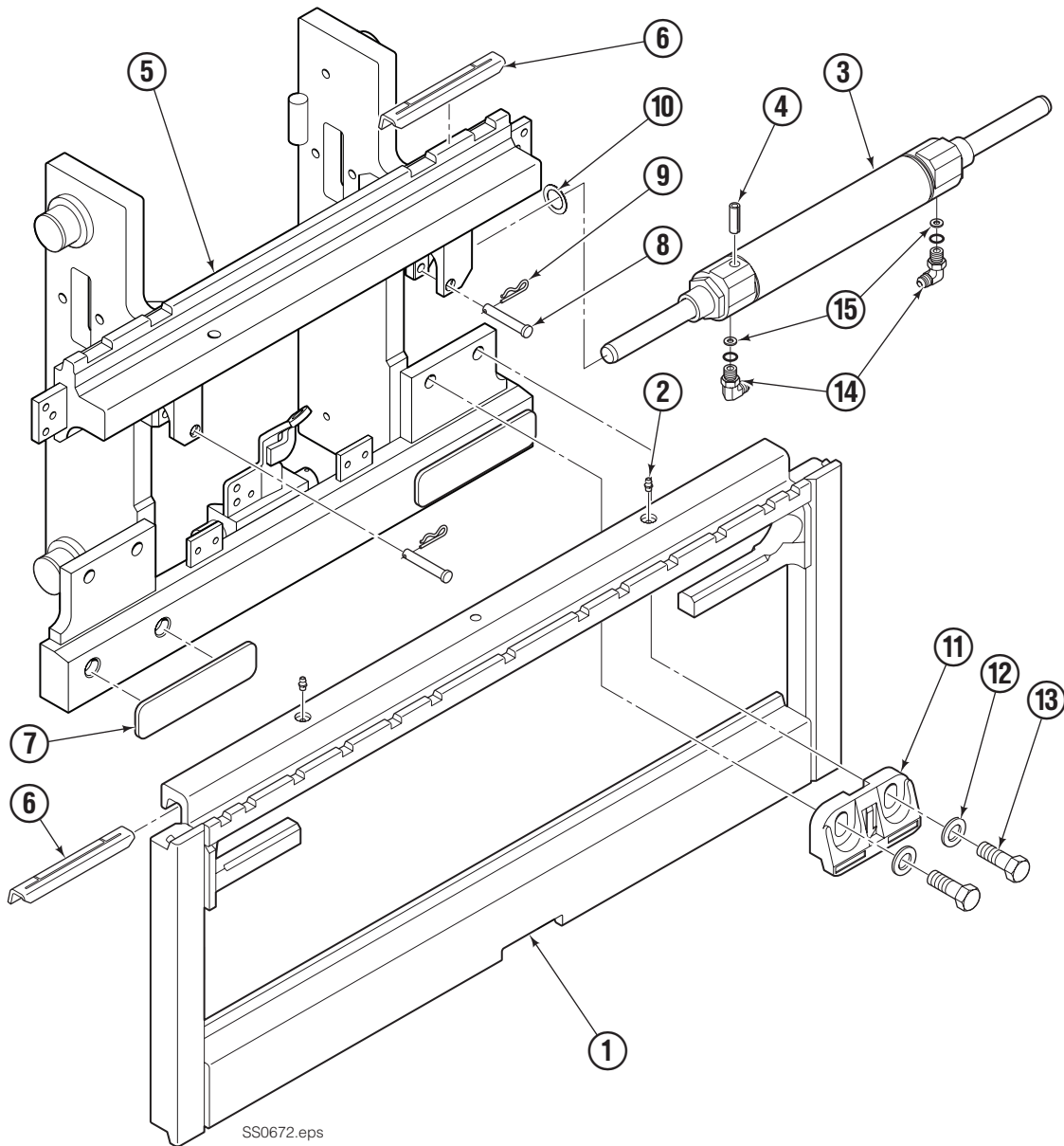
✓ Included in Composite Bearing Service Kit 6055390.

● Included in Fitting Group 6045440.

■ Included in Mounting Kit 6045442.

Reference: SK-8117, SK-8277.

Integral Sideshifter



| 55C | | | | | | | |
|-----|-----|----------|----------------|-----|-----|----------|----------------------|
| REF | QTY | PART NO. | DESCRIPTION | REF | QTY | PART NO. | DESCRIPTION |
| 1 | 1 | 6055869 | Outer Frame | 9 | 2 | 6022929 | Cotter Pin |
| 2 | 2 | 651853 | Grease Fitting | 10 | 3 | 6016591 | Shim |
| 3 | 1 | 6020048 | Cylinder ▲ | 11 | 2 | 8508373 | ● Lower Hook |
| 4 | 1 | 769050 | Roll Pin | 12 | 4 | 667225 | ● Washer |
| 5 | 1 | 6055870 | Inner Carriage | 13 | 4 | 684295 | ● Capscrew, M16 x 35 |
| 6 | 2 | 8508374 | Upper Bearing | 14 | 2 | 666984 | Fitting, 4-6 ■ |
| 7 | 2 | 8508376 | Lower Bearing | 15 | 2 | 221733 | Restrictor Washer ◆ |
| 8 | 2 | 6016592 | Clevis Pin | | | | |

▲ See Cylinder page for parts breakdown.

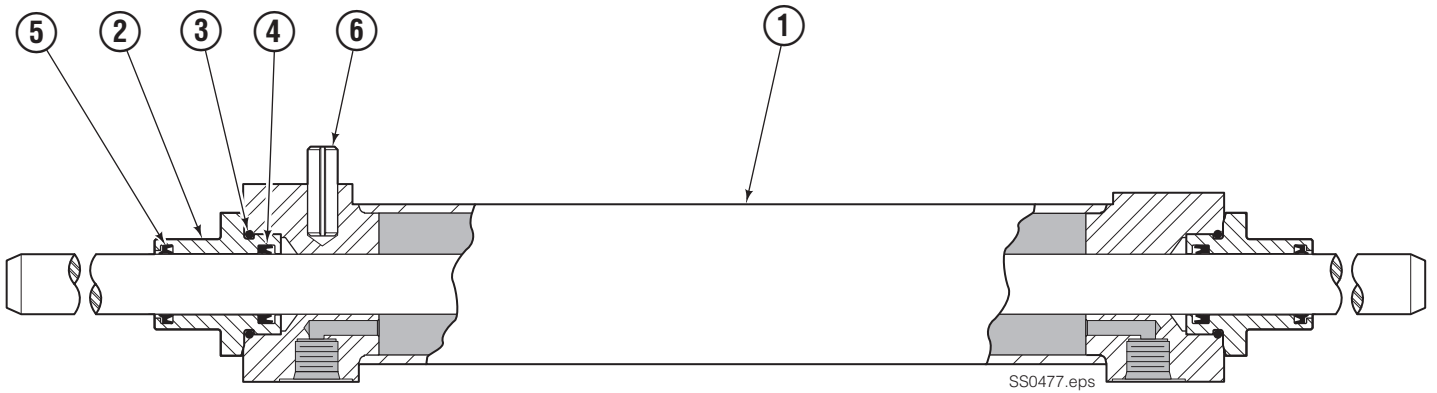
● Included in Lower Hook Group 6018267.

Reference: Common Parts 6018712, S-22593, S-21108 - Type 1.

■ Included in Fitting Group 205747.

◆ Included in Restrictor Washer Group 221732.

Cylinder Assembly



SS0477.eps

| REF | QTY | PART NO. | DESCRIPTION |
|-----|-----|----------|---------------------|
| | | 6020048 | Cylinder Assembly |
| 1 | 1 | S-21144 | Cylinder Weldment ◆ |
| 2 | 2 | 6016571 | ● Threaded Retainer |
| 3 | 2 | 415866 | ● O-Ring |
| 4 | 2 | 562131 | ● Seal Wiper |
| 5 | 2 | 562132 | ● Seal |
| 6 | 1 | 769050 | Roll Pin |

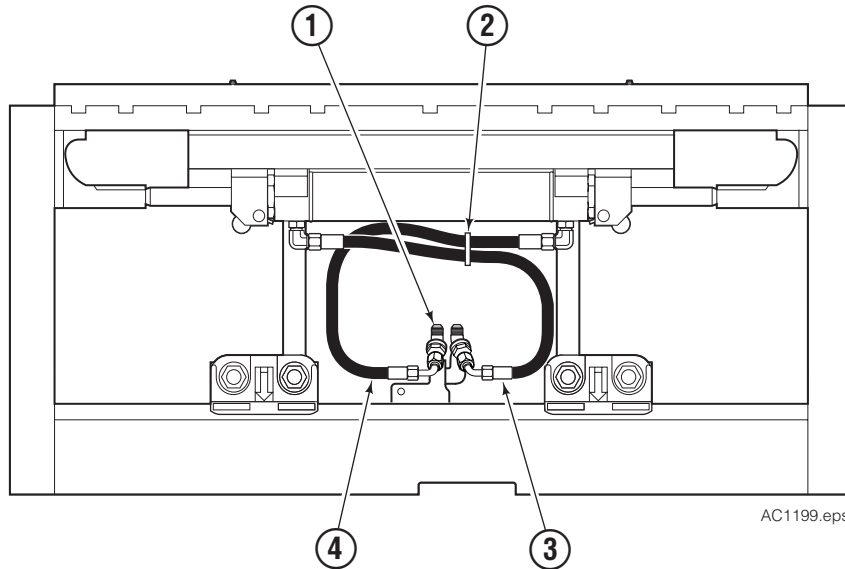
◆ Not serviceable.

Order complete cylinder if replacement needed.

● Included in Retainer Assembly 6017490.

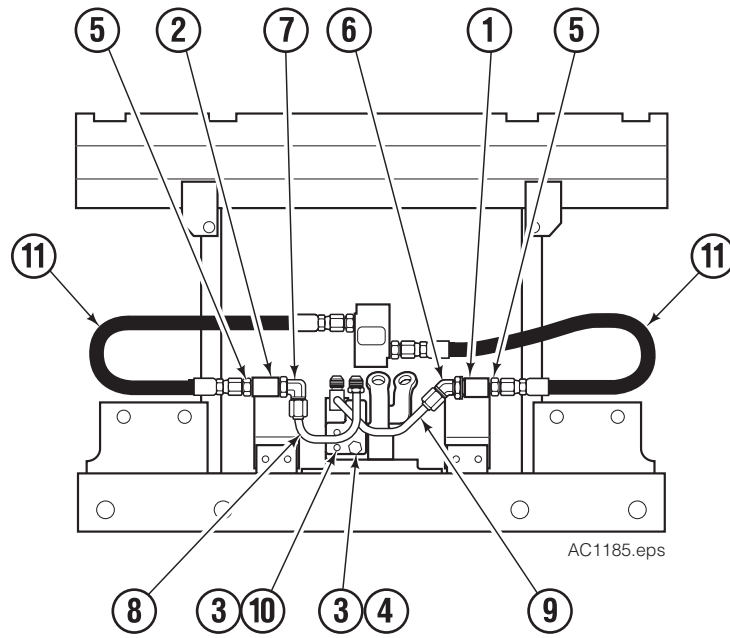
Reference: S-21145.

Installation Kit Toyota Class II



| REF | QTY | PART NO. | DESCRIPTION |
|-----|-----|----------|------------------|
| | | 6057005 | Installation Kit |
| 1 | 2 | 2492 | Fitting, 6-6 |
| 2 | 2 | 200343 | Cable Tie |
| 3 | 1 | 6058111 | Hose, 460 mm |
| 4 | 1 | 6058109 | Hose, 525 mm |

Installation Kit

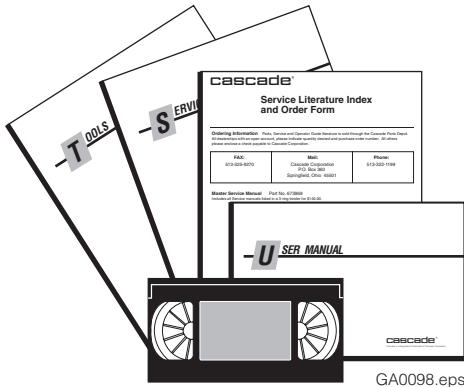


| REF | QTY | PART NO. | DESCRIPTION |
|-----|-----|----------|-------------------|
| | | 6056985 | Installation Kit |
| 1 | 1 | 6056879 | Bracket |
| 2 | 1 | 6056878 | Bracket |
| 3 | 4 | 787389 | Lockwasher, M8 |
| 4 | 4 | 767961 | Capscrew, M8 x 16 |
| 5 | 2 | 617915 | Fitting, 4-4 |
| 6 | 1 | 611302 | Fitting, 6-6 |
| 7 | 1 | 601676 | Fitting, 6-6 |
| 8 | 1 | 6058134 | Tube |
| 9 | 1 | 6058133 | Tube |
| 10 | 2 | 787375 | Capscrew, M8 x 20 |
| 11 | 4 | 6054403 | Hose |

Recommended Spare Parts & Publications

| C-Series Integral Sideshifter | | | | |
|---|-------------------------------|----------------------|------|-------|
| PART NUMBER | DESCRIPTION | ATTACHMENTS SERVICED | | |
| | | 1-5 | 6-19 | 20-50 |
| <ul style="list-style-type: none"> ■ ■ ■ 684295 667225 | BASE UNIT AND MOUNTING | | | |
| | Upper Bearing, Composite | 8 | 16 | 32 |
| | Lower Bearing, Composite | 6 | 12 | 24 |
| | Lower Hook | 0 | 2 | 4 |
| | Capscrew, M16 x 2 | 0 | 4 | 8 |
| | Washer, HD, M16 | 0 | 4 | 8 |
| <ul style="list-style-type: none"> ■ 6019928 | CYLINDER | | | |
| | Cylinder Assembly | 0 | 0 | 1 |
| | Cylinder Service Kit | 4 | 5 | 7 |

■ See specific parts page for part number.



GA0098.eps

| C-Series Integral SS | |
|----------------------|---|
| 6014809 | User Manual (Operator's Guide, Installation, Periodic Maintenance, Parts) |
| 6020275 | Service Manual |
| 679929 | Tool Catalog |
| 673964 | Literature Index Order Form |

Do you have questions you need answered right now? Call your nearest Cascade Parts Department. Visit us online at www.cascorp.com

Cascade Corporation
2501 Sheridan Avenue
Springfield, OH 45505
Tel: 888-CASCADE (227-2233)
FAX: 888-329-0234

Cascade Canada Inc.
5570 Timberlea Blvd.
Mississauga, Ontario
Canada L4W-4M6
Tel: 905-629-7777
FAX: 905-629-7785

Cascade GmbH
Dahlener Strasse 570
41239 Mönchengladbach
Germany
Tel: 02166-68230
FAX: 02166-682323

Cascade Finland
A. Petreliuksenkatu 3
01370 Vantaa
Finland
Tel: 09-8361925
FAX: 09-8361935

**Cascade N.V.
Benelux Sales and Service**
Damsluisweg 56
PO Box 3009
1300 El Almere
The Netherlands
Tel: 036-5492950
FAX: 036-5492974

Cascade (UK) Ltd.
Unit 4, 12 O'Clock Court
Attercliffe Road
Sheffield, S4 7WW
England
Tel: 0870-850-8756
FAX: 0870-850-8757

**Sales Scotland
Macade Systems Ltd.**
18 Melford Road
Righead Ind. Estate
Bellshill ML4 3LR
Scotland
Tel: 01698-845777
FAX: 01698-845888

Cascade (Africa) Pty. Ltd.
PO Box 625, Isando 1600
60A Steel Road
Sparton, Kempton Park
South Africa
Tel: 27-11-975-9240
FAX: 27-11-394-1147

Cascade Scandinavia AB
Hammarvägen 10
PO Box 124
S-56723 Vaggeryd
Sweden
Tel: 039-336950
FAX: 039-336959

**Cascade France
S.A.R.L. MHP**
1D Rue De Charaintru BP 18,
91360 Epinay-Sur-Orge
France
Tel: 01-6454-7500
FAX: 01-6454-7501

Cascade Hispania S.A.
Carrer 5, Sector C
Zona Franca Duanera
Poligono de la Zona Franca
08040 Barcelona, Spain
Tel: 93-264-07-30
FAX: 93-264-07-31

Cascade Roncari S.R.L.
Via Dell'Artigianato 1
37050 Vago di Lavagno (VR)
Italy
Tel: 39-045-8989111
FAX: 39-0458989160

**Sales Portugal FAG
Santos Lda**
Rua do Mercado
Lte 6, Loja 2-Tires 2785-630
S. Domingos De Rana
Portugal
Tel: 214-448-083
FAX: 214-458-098

**Sales Switzerland
Fahrzeugbedarf**
8810, Horgen
Switzerland
Tel: 01-7279797
FAX: 01-7279798

Sales Poland
Targowa 35/61
03-728 Warszawa
Tel: 022-619 00 49
FAX: 022-619 00 49
Mobile Phone: 0501-27 29 55

Sales Russia
EMCG Material Handling
Equipment
Moscow
Tel: 095-795-2400
FAX: 095-795-2475
Email: emcg@sovintel.ru

Cascade Japan Ltd.
5-5-41,
Torikai Kami
Settsu, Osaka
Japan, 566
Tel: 81-726-53-3490
FAX: 81-726-53-3497

Cascade Korea
121B 9L Namdong Ind.
Complex, 691-8 Gojan-Dong
Namdong-Ku
Inchon, 405-310 Korea
Tel: 82-32-821-2051
FAX: 82-32-821-2055

Cascade Australia
1445 Ipswich Road
Rocklea, QLD 4107
Australia
Tel: 1-800-227-223
FAX: 617-3373-7333

Cascade New Zealand
15 Ra Ora Drive
East Tamaki, Auckland
New Zealand
Tel: 64-9-273-9136
FAX: 64-9-273-9137

Cascade-Xiamen
No. 668 Yangguang Rd.
Xinyang Industrial Zone
Haicang, Xiamen City
Fujian Province
P.R. China 361026
Tel: 86-592-651-2500
FAX: 86-592-651-2571

**Sunstream Industries
Pte Ltd.**
No. 3 Tuas Link 1
2263
Singapore
Tel: 65-6863-3488
FAX: 65-6863-1368

