



# Parts Manual

---

Model 100D Rotator

Serial Number 100D-RRB-24CR0

---

**cascade**<sup>®</sup>  
corporation

**For Technical Assistance call:** 800-227-2233, Fax: 888-329-8207

**To Order Parts call:** 888-227-2233, Fax: 888-329-0234

**OR**

**Write:** Cascade Corporation, P.O. Box 20187, Portland, OR 97220

**Internet:** [www.cascorp.com](http://www.cascorp.com)

# Safety Decals



| REF | QTY | PART NO. | DESCRIPTION   |
|-----|-----|----------|---------------|
| 1   | 1   | 679150   | No Step Decal |

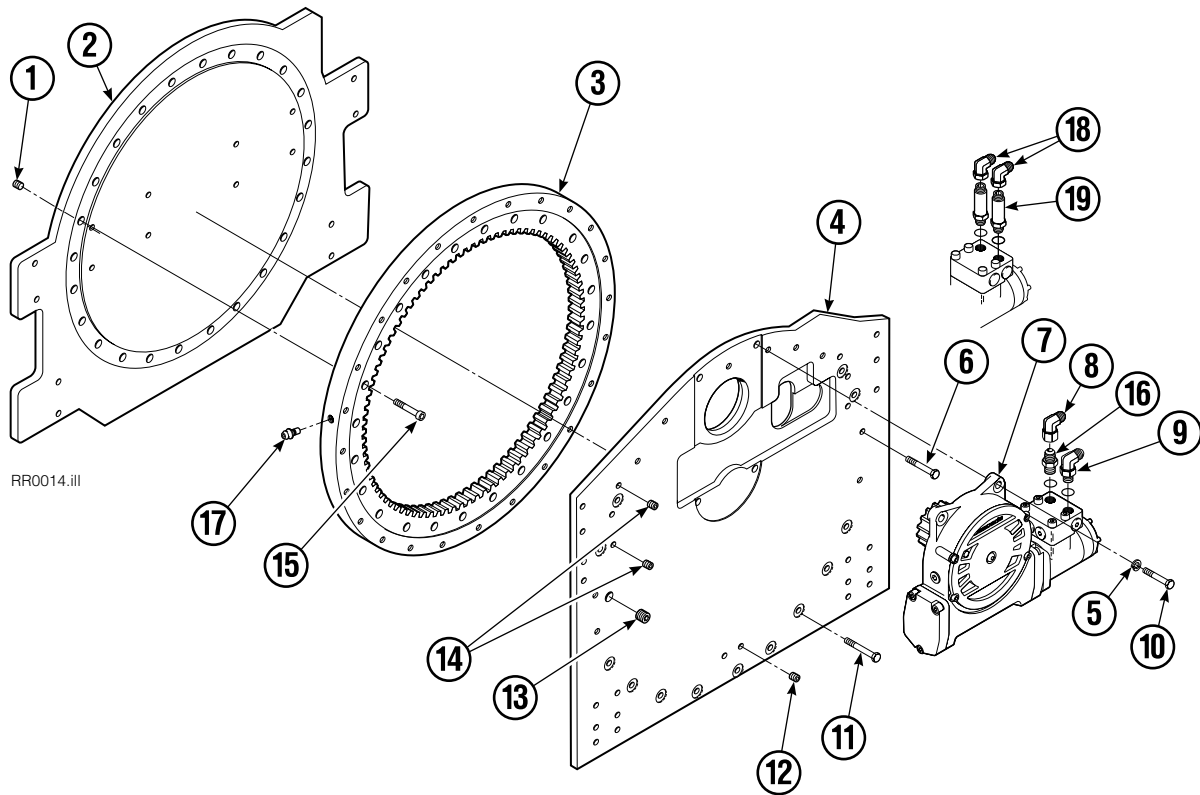
# Publications



GA0006.eps

| PART NO. | DESCRIPTION                 |
|----------|-----------------------------|
| 672946   | Service Manual              |
| 672714   | Operators Guide             |
| 668987   | Installation Instructions   |
| 679929   | Tool Catalog                |
| 673964   | Literature Index Order Form |

# Base Unit Group



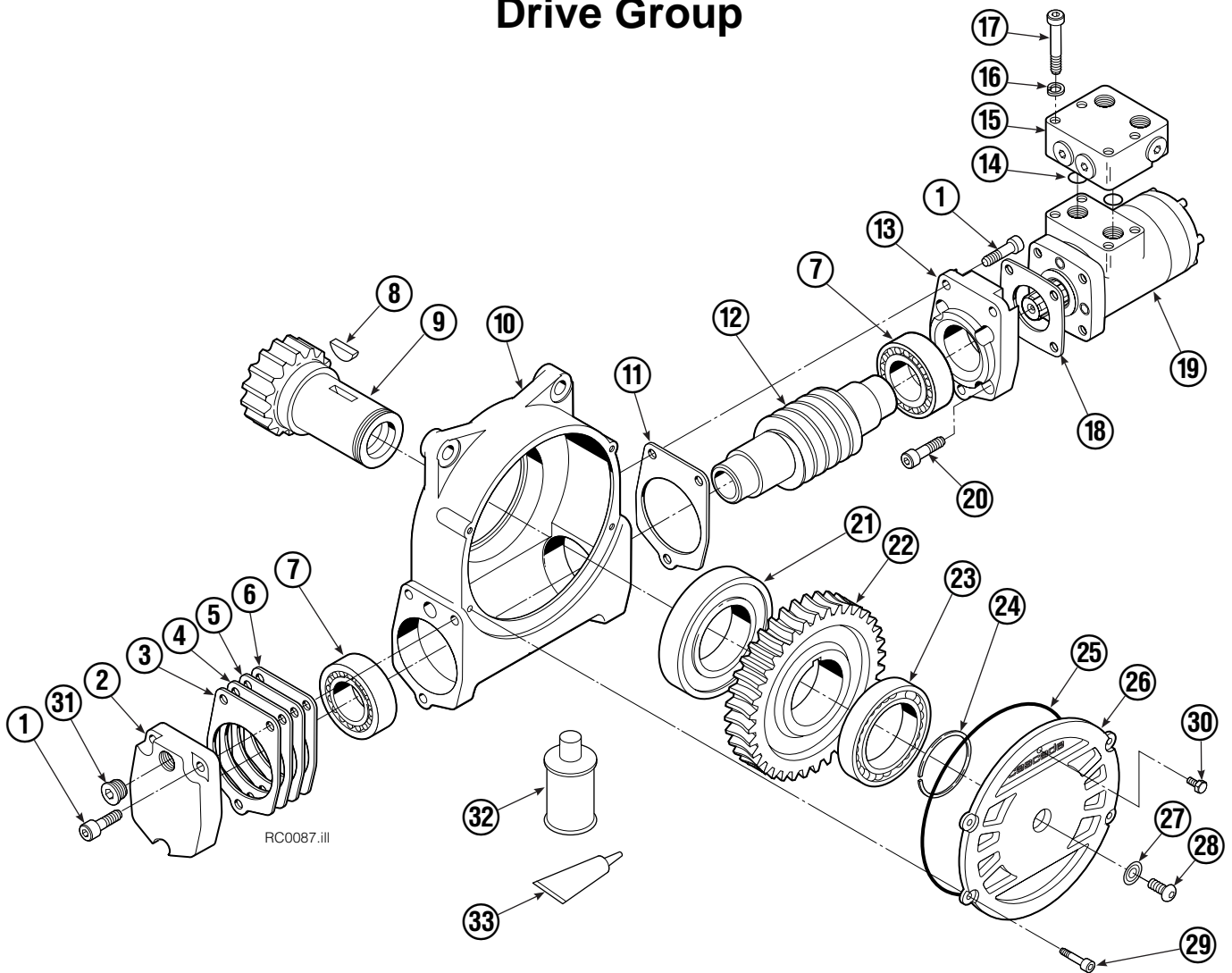
RR0014.iii

| 100D |     |         |                               |
|------|-----|---------|-------------------------------|
| REF  | QTY | PART NO | DESCRIPTION                   |
|      |     | 682647  | Base Unit Group               |
| 1    | 10  | 631428  | Plug                          |
| 2    | 1   | 670669  | Faceplate                     |
| 3    | 1   | 672830  | Bearing Assembly              |
| 4    | 1   | 682649  | Baseplate                     |
| 5    | 4   | 6290    | Lockwasher                    |
| 6    | 11  | 643538  | Capscrew, 1/2 NC x 1.50 GR8   |
| 7    | 1   | 675639  | Drive Group ●                 |
| 8    | 1   | 605761  | Fitting – Class III only, 8-8 |
| 9    | 1   | 601250  | Fitting – Class III only, 8-8 |
| 10   | 4   | 661742  | Capscrew, 1/2 NC x 1.25 GR5   |
| 11   | 13  | 643539  | Capscrew, 1/2 NC x 1.75 GR8   |
| 12   | 2   | 631427  | Plug                          |
| 13   | 1   | 6605    | Plug                          |
| 14   | 6   | 631385  | Plug                          |
| 15   | 24  | 4506    | Capscrew, 1/2 NC x 1.50 GR8   |
| 16   | 1   | 601377  | Fitting – Class III only, 8-8 |
| 17   | 1   | 7401    | Grease Fitting                |
| 18   | 2   | 605761  | Fitting – Class IV only, 8-8  |
| 19   | 2   | 611295  | Fitting – Class IV only, 8-8  |
|      |     | 672482  | Bearing Service Kit           |

● See Drive Group page for parts breakdown.

Reference: Common Parts Group 675849, SK-5376.

# Drive Group



| REF | QTY | PART NO. | DESCRIPTION               | REF | QTY | PART NO. | DESCRIPTION                             |
|-----|-----|----------|---------------------------|-----|-----|----------|---|
|     | ■   | 675639   | Drive Group with Motor    | 19  | 1   | 206392   | Drive Motor ▲                           |
|     | ■   | 675633   | Drive Group without Motor | 20  | 4   | 4468     | Capscrew, 3/8 NC x .75 GR8              |
| 1   | 6   | 769570   | Capscrew, M12 x 25        | 21  | 1   | 670580   | Bearing                                 |
| 2   | 1   | 676855   | Cover                     | 22  | 1   | 675609   | Worm Gear                               |
| 3   | ●   | 674513   | Shim - .005" (blue)       | 23  | 1   | 670581   | Bearing                                 |
| 4   | ●   | 670574   | Shim - .010" (brown)      | 24  | 1   | 7214     | Snap Ring                               |
| 5   | ●   | 671757   | Shim - .015" (pink)       | 25  | 1   | 643423   | O-Ring                                  |
| 6   | ●   | 671758   | Shim - .020" (yellow)     | 26  | 1   | 775552   | Cover                                   |
| 7   | 2   | 670579   | Bearing                   | 27  | 1   | 603680   | Seal                                    |
| 8   | 1   | 670582   | Key                       | 28  | 1   | 783608   | Capscrew, 3/8 NC x .50 GR8              |
| 9   | 1   | 670556   | Pinion                    | 29  | 4   | 200882   | Capscrew, M12 x 20                      |
| 10  | 1   | 775551   | Housing                   | 30  | 1   | 644010   | Relief Fitting                          |
| 11  | 1   | 686465   | Gasket                    | 31  | 1   | 604510   | Fitting, 6                              |
| 12  | 1   | 675608   | Worm                      | 32  | 1   | 656300   | Gear Box Lube - 48 oz.                  |
| 13  | 1   | 775553   | Adapter                   | 33  | 1   | 668184   | Sealant                                 |
| 14  | 2   | 2705     | Seal                      | 34  |     | 670578   | Shim Service Kit (items 3-6,11,25 & 33) |
| 15  | 1   | 670549   | Check Valve               |     |     | 675637   | Bearing Service Kit (items 21 & 34)     |
| 16  | 4   | 6444     | Lockwasher                |     |     | 675638   | Bearing Service Kit (items 7 & 34)      |
| 17  | 4   | 607059   | Capscrew, 5/16 NC         |     |     | 206394   | Motor Kit (items 11,14,18,19 & 33)      |
| 18  | 1   | 670575   | Gasket                    |     |     |          |   |

■ Includes all items except 14,15,17 and 18.

● Quantity as required.

▲ See Drive Motor page for parts breakdown.

Reference: 675639 (Common Parts 675627, SK-5032.)

675633 (Sub Assy 220335, Common Parts 795490, SKN-5527)

# Drive Motor



| REF | QTY | PART NO. | DESCRIPTION                |
|-----|-----|----------|----------------------------|
|     |     | 206392   | Drive Motor                |
| 1   | 1   | 675478   | Shaft                      |
| 2   | 1   | 675477   | Drive                      |
| 3   | 1   | 675479   | Spacer Plate               |
| ■ 4 | 1   | 675480   | Gerotor Set (101-1768-007) |
| ■ 4 | 1   | 685075   | Gerotor Set (101-1768-009) |
| 5   | 1   | 675482   | End Cap                    |
| ● 6 | 1   | 206405   | Service Kit                |
| ■ 7 | 1   | 685089   | Flange (101-1768-007)      |
| ■ 7 | 1   | 685090   | Flange (101-1768-009)      |

Cascade provides service replacement parts for the listed parts only. Due to cost, if others parts need replacement, the complete drive motor should be replaced.

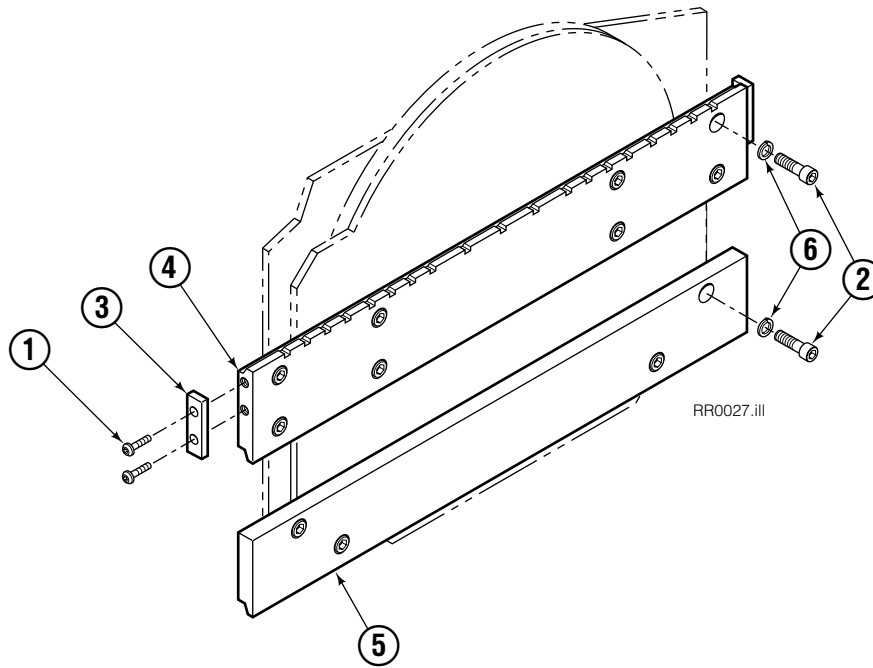
- See Nameplate under valve for correct part number of Gerotor Set and Flange.
- Compatible with water glycol based hydraulic fluids.

# Check Valve



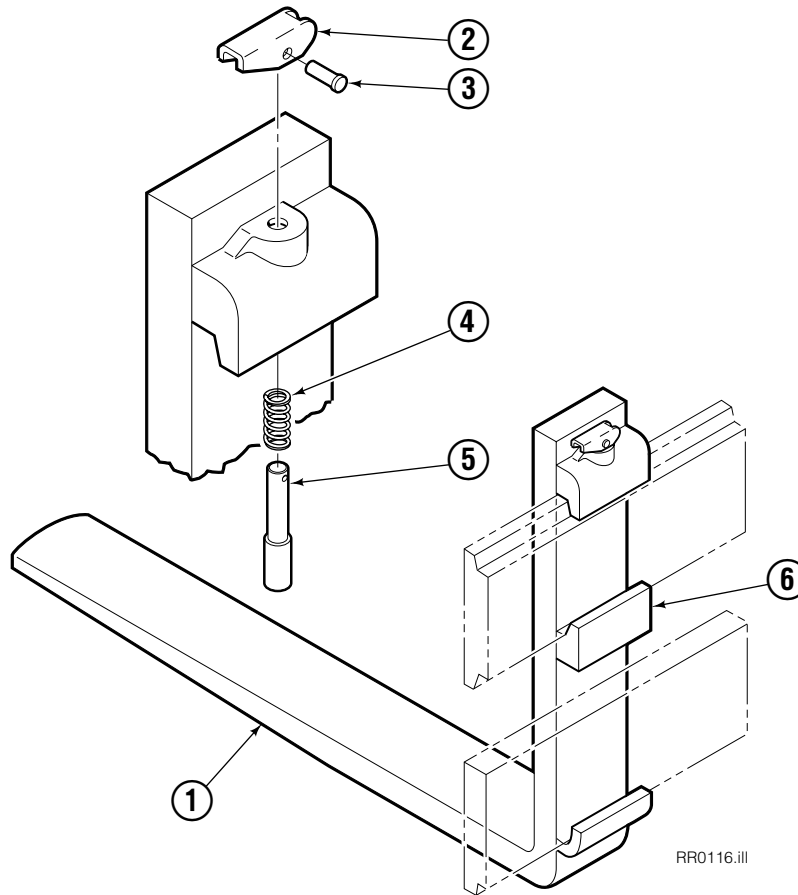
| REF | QTY | PART NO. | DESCRIPTION          |
|-----|-----|----------|----------------------|
|     |     | 670549   | Check Valve Assembly |
| 1   | 2   | 609453   | Fitting, 10          |
| 2   | 2   | 670552   | Spring               |
| 3   | 2   | 670551   | Guide                |
| 4   | 2   | 7020     | Ball                 |
| 5   | 2   | 602580   | Fitting, 8           |
| 6   | 2   | 673989   | Spring               |
| 7   | 1   | 670550   | Body                 |
| 8   | 1   | 670553   | Spool                |

# Fork Bar Group



| 100D |     |          |                             |
|------|-----|----------|-----------------------------|
| REF  | QTY | PART NO. | DESCRIPTION                 |
|      |     | 206779   | Fork Bar Group              |
| 1    | 4   | 4880     | Capscrew, 1/2 NC x 1.0 GR8  |
| 2    | 18  | 607103   | Capscrew, 3/4 NC x 1.50 GR8 |
| 3    | 2   | 606988   | Keeper                      |
| 4    | 1   | 625527   | Upper Bar                   |
| 5    | 1   | 625528   | Lower Bar                   |
| 6    | 18  | 6448     | Lockwasher, 3/4 ID          |

# Adjustable Forks

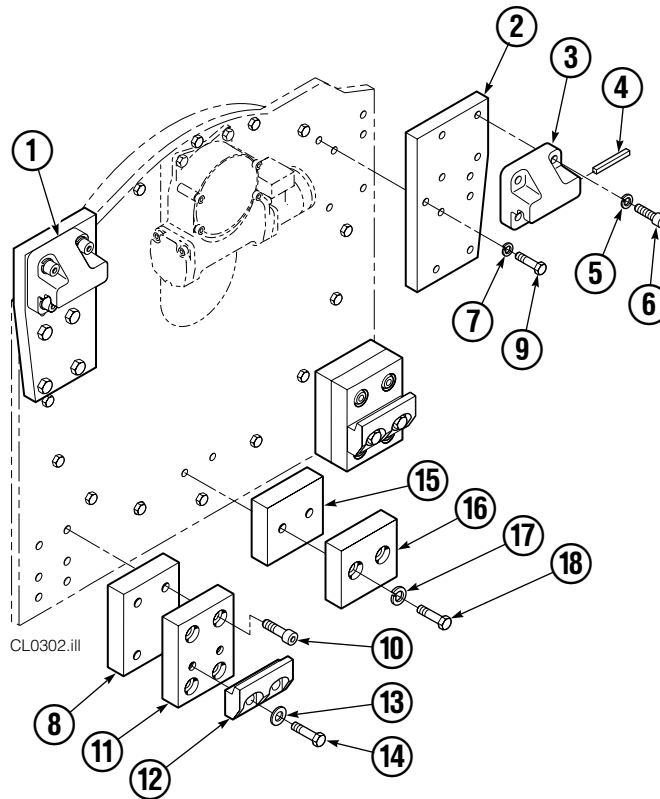


| 100D |     |                 |                 |                 |                 |               |
|------|-----|-----------------|-----------------|-----------------|-----------------|---------------|
| REF  | QTY | 42"<br>PART NO. | 48"<br>PART NO. | 54"<br>PART NO. | 60"<br>PART NO. | DESCRIPTION   |
|      |     | 672281          | <b>672282</b>   | 672283          | 672284          | Fork Assembly |
| 1    | 1   | 645614          | 645615          | 645616          | 645617          | ● Fork        |
| 2    | 1   | 622897          | 622897          | 622897          | 622897          | Handle        |
| 3    | 1   | 8007            | 8007            | 8007            | 8007            | Rivet         |
| 4    | 1   | 622898          | 622898          | 622898          | 622898          | Spring        |
| 5    | 1   | 622899          | 622899          | 622899          | 622899          | Pin           |
| 6    | 1   | 689280          | 689280          | 689280          | 689280          | ■ Middle Hook |

● Includes item 6 welded in place.

■ Required when using customer supplied forks.

# Bolt-On Mounting Group



| Class IV, 0° |     |         |                             |
|--------------|-----|---------|-----------------------------|
| REF          | QTY | PART NO | DESCRIPTION                 |
|              |     | 682142  | Mounting Group              |
| 1            | 1   | 670690  | Upper Hook - L.H.           |
| 2            | 2   | 670697  | Adapter Plate               |
| 3            | 1   | 670691  | Upper Hook - R.H.           |
| 4            | 1   | 670704  | Stop Kit                    |
| 5            | 8   | 6448    | Lockwasher, 3/4 ID          |
| 6            | 8   | 607104  | Capscrew, 3/4 NC x 1.75 GR8 |
| 7            | 12  | 6292    | Lockwasher, 5/8 ID          |
| 8            | 2   | 670700  | Spacer                      |
| 9            | 12  | 638601  | Capscrew, 5/8 NC x 2.0 GR5  |
| 10           | 8   | 670698  | Capscrew                    |
| 11           | 2   | 682195  | Adapter Plate               |
| 12           | 2   | 679832  | Lower Hook                  |
| 13           | 4   | 670692  | Washer                      |
| 14           | 4   | 670693  | Capscrew                    |
| 15           | 1   | 670699  | Spacer                      |
| 16           | 1   | 670695  | Bumper                      |
| 17           | 2   | 6290    | Lockwasher, 1/2 ID          |
| 18           | 2   | 3664    | Capscrew, 1/2 NC x 3.75     |



**Do you have questions you need answered right now?** Call your nearest Cascade Parts Department.

**Cascade Corporation**

2501 Sheridan Avenue  
Springfield, OH 45505  
Tel: 888-CASCADE (227-2233)  
FAX: 888-329-0234  
www.cascorp.com

**Cascade Canada Inc.**

5570 Timberlea Blvd.  
Mississauga, Ontario  
Canada L4W-4M6  
Tel: 905-629-7777  
FAX: 905-629-7785

**Cascade GmbH**

D-41199 Monchengladbach  
Klosterhofweg 52  
Germany  
Tel: 49-216-668230  
FAX: 49-216-6682323

**Cascade Finland**

Albert Petreliuksenkatu 3  
01370 Vantaa  
Finland  
Tel: 358-9-836-1925  
FAX: 358-9-836-1935

**Cascade N.V.  
European Headquarters**

P.O. Box 3009  
1300 El Almere  
Damsluisweg 56  
1332 ED Almere  
The Netherlands  
Tel: 31-36-5492911  
FAX: 31-36-5492964

**Cascade N.V.  
Benelux Sales and Service**

P.O. Box 3009  
1300 El Almere  
Damsluisweg 56  
1332 ED Almere  
The Netherlands  
Tel: 31-36-5492950  
FAX: 31-36-5492974

**Cascade (UK) Ltd.**

15, Orgreave Crescent  
Dore House Industrial Estate  
Handsworth  
Sheffield S13 9NQ  
England  
Tel: 742-697524  
FAX: 742-695121

**Cascade Scandinavia AB**

Box 124  
Hammarvägen 10  
567 23 Vaggeryd  
Sweden  
Tel: 42-0-393-36950  
FAX: 46-0-393-36959

**Cascade Norway**

Østerliveien 37A  
1153 Oslo  
Norway  
Tel: 47-22-743160  
FAX: 47-22-743157

**Cascade France S.A.R.L.**

1D Rue De Charaintru  
BP 18, 91360 Epinay-Sur-Orge  
Morangis Cedex, France  
Tel: 33-1- 64547500  
FAX: 33-1-64547501

**Cascade Hispania S.A.**

Carrer 5 Sector C  
Zona Franca Duanera  
Poligono de la Zon Franca  
08040 Barcelona, Spain  
Office No. 256  
Tel: 93-264-07-30  
FAX: 93-264-07-31

**Cascade Japan Ltd.**

5-5-41,  
Torikai Kami  
Settsu, Osaka  
Japan, 566  
Tel: 81-726-53-3490  
FAX: 81-726-53-3497

**Cascade Korea**

108B, Namdong Ind Complex  
658-3 Gojan-Dong  
Namdong-Gu  
Inchon, 405-310 Korea  
Tel: 82-32-821-2051  
FAX: 82-32-821-2055

**Cascade Australia**

1445 Ipswich Road  
Rocklea, QLD 4106  
Australia  
Tel: 1-800227-223  
FAX: (07) 3373-7333

**Cascade New Zealand**

15 Ra Ora Drive  
East Tamaki, Auckland  
New Zealand  
Tel: 9-273-9136  
FAX: 9-273-9137

**Cascade (Africa) Pty. Ltd.**

P.O. Box 625, Isando 1600  
60A Steel Road  
Sparton, Kempton Park  
South Africa  
Tel: 27-11-975-9240  
FAX: 27-11-394-1147

**Cascade-Xiamen**

No. 668 Yangguant Rd.  
Xinyang Industry Zone  
Haicant, Xiamen City  
Fujian Province  
P.R. China 361026  
Tel: 86-592-651-2500  
FAX: 86-592-651-2571

**Cascade (Singapore)  
Trading Co.**

Four Seasons Park  
Autumn Block - Apt. 1802  
12 Cuscaden Walk  
Singapore  
Tel: 65-834-1935  
FAX: 65-834-1936

