



# Parts Manual

---

Model \_\_\_\_\_ Paper Roll Clamp

Serial Number \_\_\_\_\_ 90F-RCS-173

---

**cascade**<sup>®</sup>  
corporation

**For Technical Assistance call:** 800-227-2233, Fax: 888-329-8207

**To Order Parts call:** 888-227-2233, Fax: 888-329-0234

**OR**

**Write:** Cascade Corporation, P.O. Box 20187, Portland, OR 97220

**Internet:** [www.cascorp.com](http://www.cascorp.com)

# Safety Decals

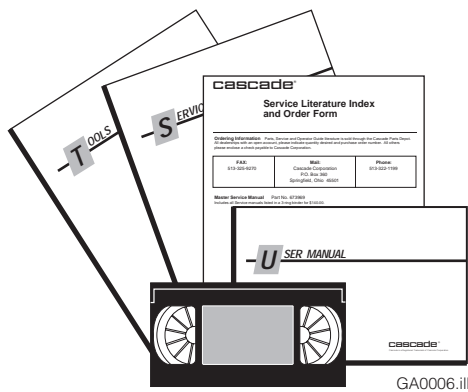


RC0636.ill



Roll Clamp Safety Decals			
REF	QTY	PART NO.	DESCRIPTION
1	6	665595	No Hand Hold Decal
2	3	660269	Short Arm Rotation Position Decal
3	4	656038	Caution Decal
4	4	679150	No Step Decal
5	4	665677	Trapped Pressure Decal
6	1	679059	Quick-Change Hook Decal

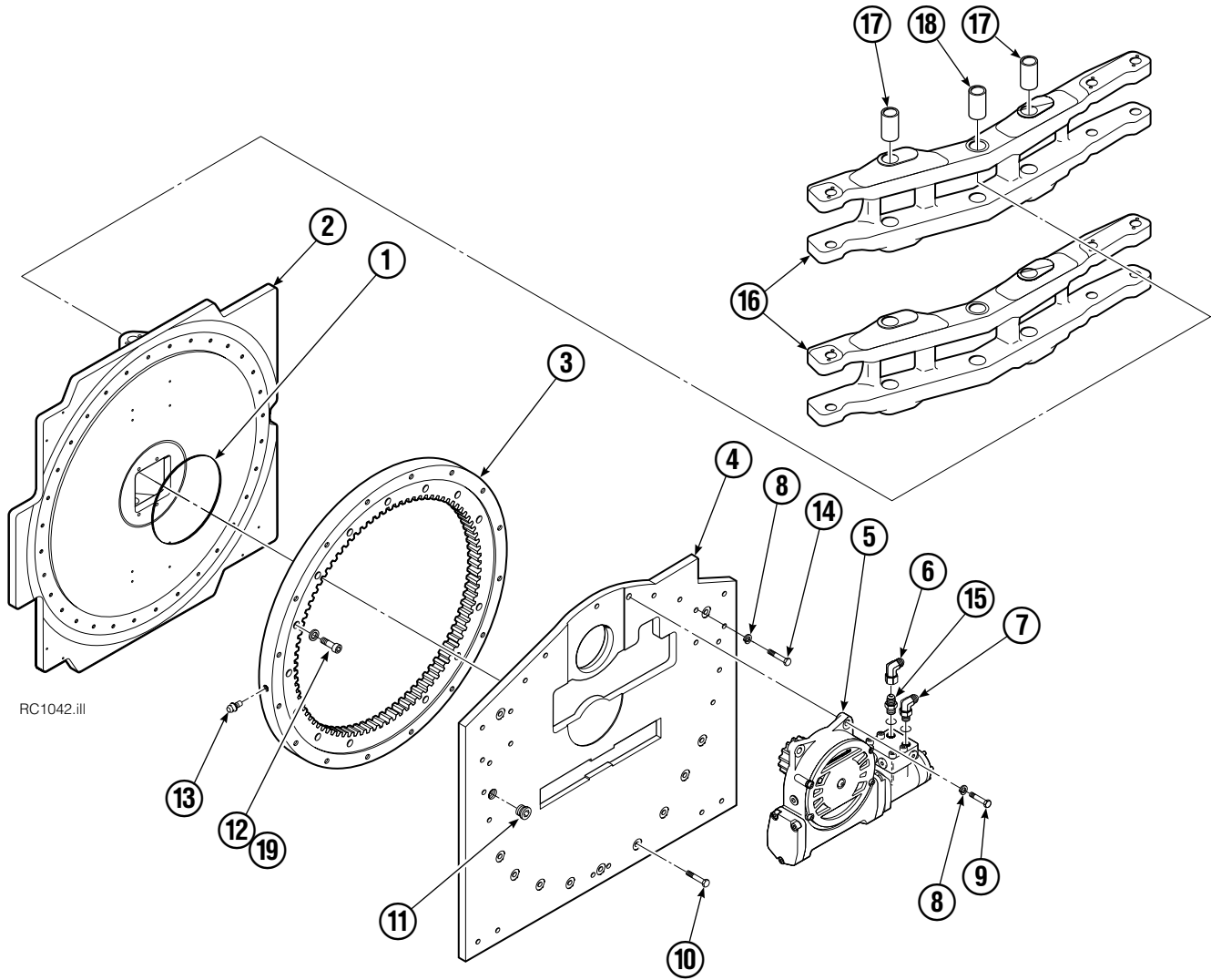
# Publications



GA0006.ill

Roll Clamp Publications	
674512	Service Manual
674509	Operator's Guide – Fixed Frame
676268	Operator's Guide – Swing Frame
674510	Installation Instructions – Fixed Frame
674511	Installation Instructions – Swing Frame
677555	Driver Training Video – VHS
678363	Troubleshooting Video – VHS
680664	Servicing Cascade Cylinders – VHS
679929	Tool Catalog
673964	Literature Index Order Form

# Frame Group



## 90F

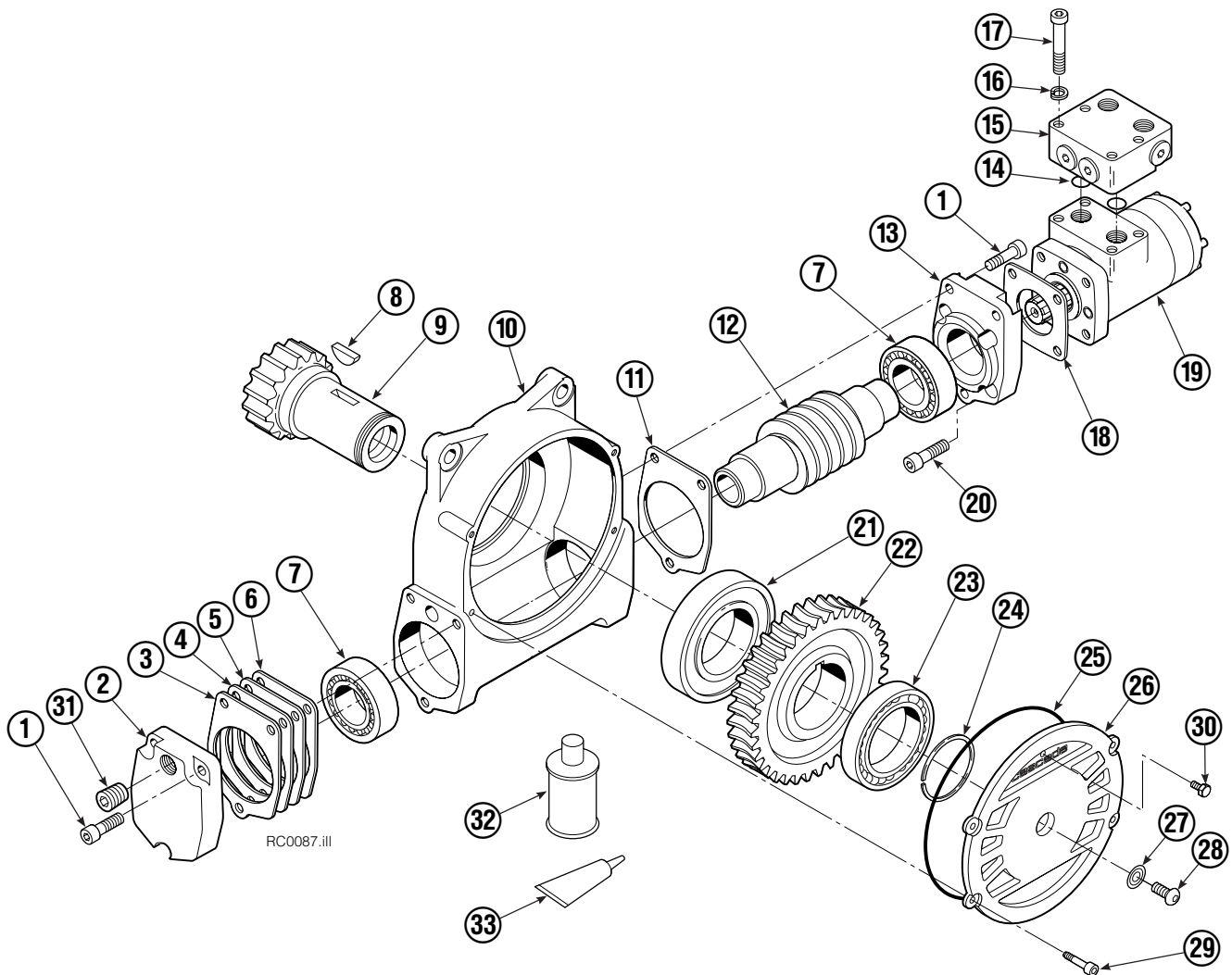
REF	QTY	PART NO.	DESCRIPTION	REF	QTY	PART NO.	DESCRIPTION
		394131	Frame Group	10	13	206174	Capscrew, M12 x 45
1	1	670931	Seal	11	1	664071	Plug
2	1	6011193	Faceplate	12	32	753221	Capscrew, M12 x 50
3	1	214481	Bearing Assembly	13	1	7401	Grease Fitting
4	1	214484	Baseplate	14	19	213633	Capscrew, M12 x 55
5	1	795492	Drive Group ●	15	1	601377	Fitting, 8-8
6	1	605761	Fitting, 8-8	16	2	381130	▲ Swing Frame
7	1	601250	Fitting, 8-8	17	8	675008	▲ Bushing
8	4	6290	Lockwasher, 1/2 ID	18	4	675006	▲ Bushing
9	4	763021	Capscrew, M12 x 30	19	32	681473	Lockwasher, M12

● See Drive Group page for parts breakdown.

▲ Included in Swing Frame Group 381129.

Reference: Common Parts 393464, Fastener Kit 223703, SK-6189.

# Drive Group



REF	QTY	PART NO.	DESCRIPTION	REF	QTY	PART NO.	DESCRIPTION
		795492	Drive Group with 2.8 c.i. Motor	19	1	206392	Drive Motor – 2.8 c.i. ■
1	6	769570	Capscrew, M12 x 25	20	4	4468	Capscrew, 3/8 NC x .75 GR8
2	1	676855	Cover	21	1	670580	Bearing
3	●	674513	Shim – .005" (blue)	22	1	675609	Worm Gear
4	●	670574	Shim – .010" (brown)	23	1	670581	Bearing
5	●	671757	Shim – .015" (pink)	24	1	7214	Snap Ring
6	●	671758	Shim – .020" (yellow)	25	1	643423	O-Ring
7	2	670579	Bearing	26	1	775552	Cover
8	1	670582	Key	27	1	783609	Seal
9	1	670556	Pinion	28	1	783608	Capscrew, M10 x 16
10	1	775551	Housing	29	4	200882	Capscrew, M8 x 20
11	1	686465	Gasket	30	1	644010	Relief Fitting
12	1	675608	Worm	31	1	604510	Fitting, 6
13	1	775553	Adapter	32	1	656300	Gear Box Lube – 48 oz.
14	2	2705	O-Ring	33	1	668184	Sealant
15	1	670549	Check Valve ▲			670578	Shim Service Kit (items 3-6,25,33)
16	4	6444	Lockwasher			675637	Bearing Service Kit (items 21 & 33)
17	4	607059	Capscrew, 5/16 NC x 1.75 GR8			675638	Bearing Service Kit (items 3-7,25)
18	1	670575	Gasket			206394	Motor Kit-2.8 c.i. (items 11,14,18,19)

● Quantity as required.

■ See Drive Motor page for parts breakdown.

▲ See Check Valve page for parts breakdown.

## Drive Motor



REF	QTY	PART NO.	DESCRIPTION
		206392	Drive Motor
1	1	675478	Shaft
2	1	675477	Drive
3	1	675479	Spacer Plate
4	1	675480	■ Gerotor Set (101-1768-007)
4	1	685075	■ Gerotor Set (101-1768-009)
5	1	675482	End Cap
6	1	206405	● Service Kit
7	1	685089	■ Flange (101-1768-007)
7	1	685090	■ Flange (101-1768-009)

Cascade provides service replacement parts for the listed parts only. Due to cost, if others parts need replacement, the complete drive motor should be replaced.

■ See Nameplate under valve for correct part number of Gerotor Set and Flange.

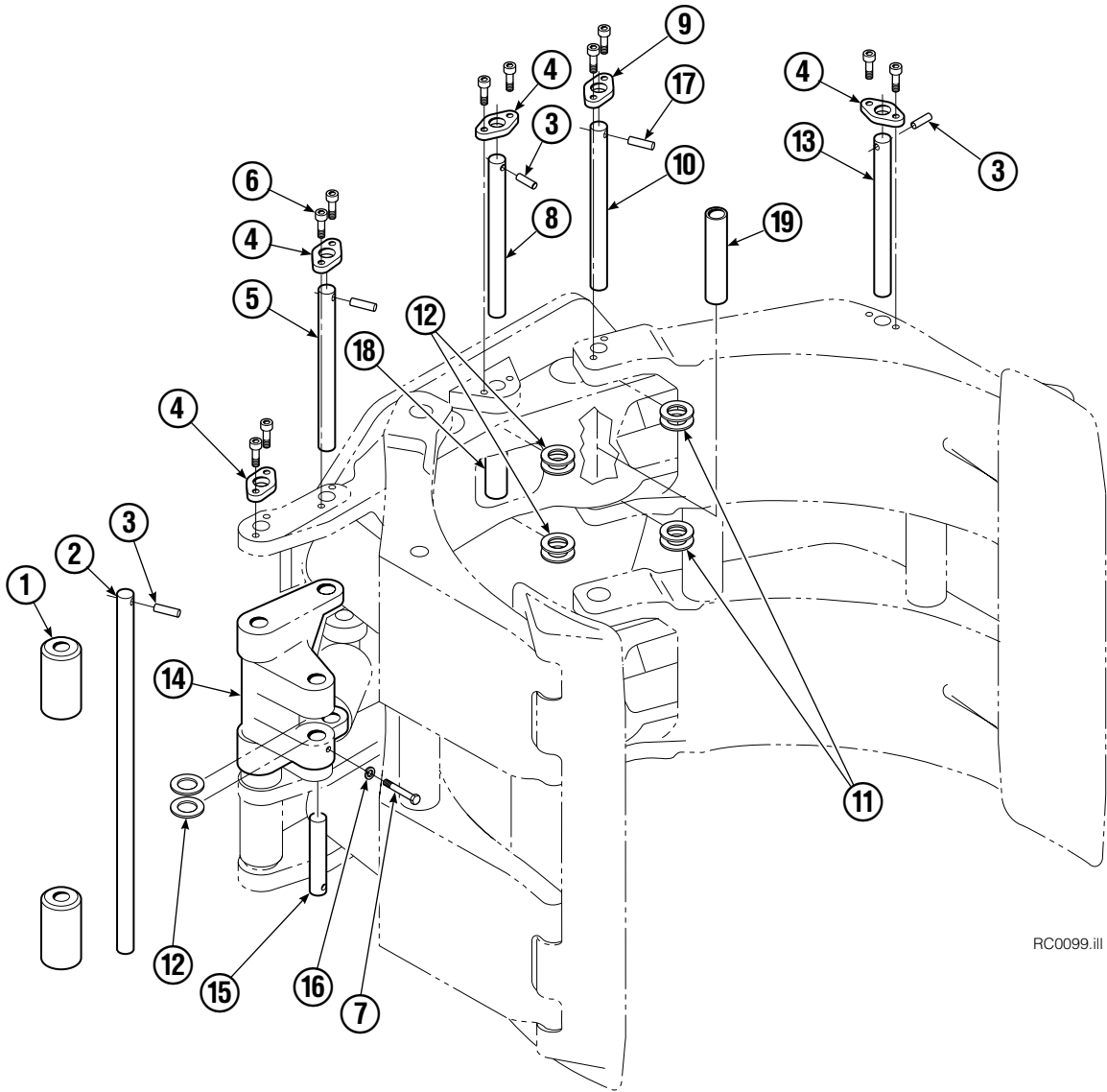
● Compatible with water glycol based hydraulic fluids.

## Check Valve



REF	QTY	PART NO.	DESCRIPTION
		670549	Check Valve Assembly
1	2	609453	Fitting, 10
2	2	670552	Spring
3	2	670551	Guide
4	2	7020	Ball
5	2	602580	Fitting, 8
6	2	673989	Spring
7	1	670550	Body
8	1	670553	Spool

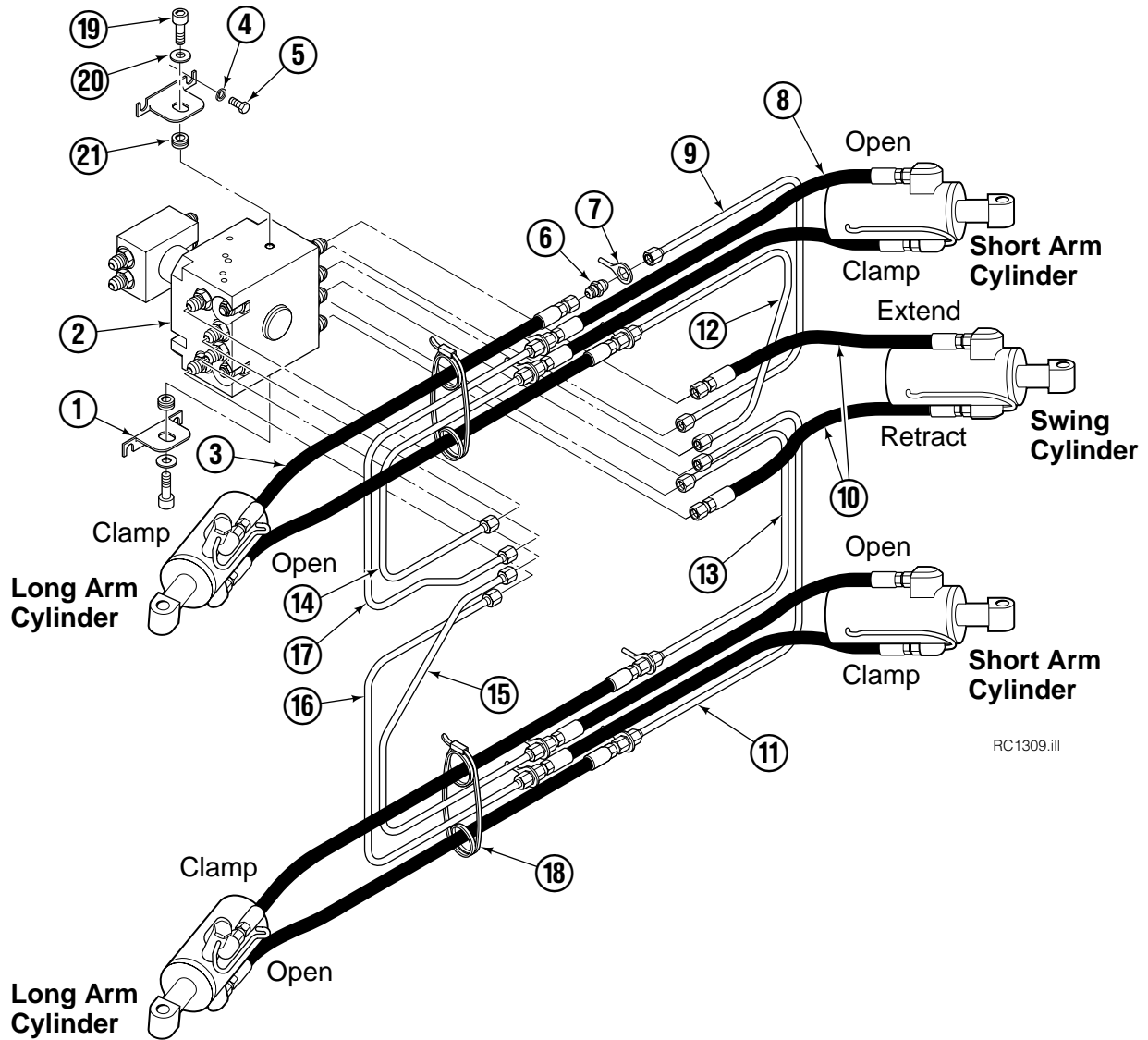
# Common Components Group



RC0099.iii

90F			
REF	QTY	PART NO.	DESCRIPTION
		356184	Components Group
1	2	675024	Roller
2	1	675021	Pin
3	11	673385	Drive Pin
4	11	674828	Retainer
5	4	675018	Pin
6	30	4466	Capscrew, 3/8 NC x .50 GR8
7	2	643518	Capscrew, 5/16 NC x 2.25 GR8
8	2	675019	Pin
9	4	674830	Retainer
10	4	675022	Pin
11	16	673379	Shim
12	16	660200	Shim
13	4	676088	Pin
14	1	356185	Swing Casting
15	2	675023	Pin
16	2	6287	Lockwasher, 4/16 ID
17	4	675086	Drive Pin
18	2	681668	Spacer
19	4	681672	Spacer

# Hose Group - Swing Frame

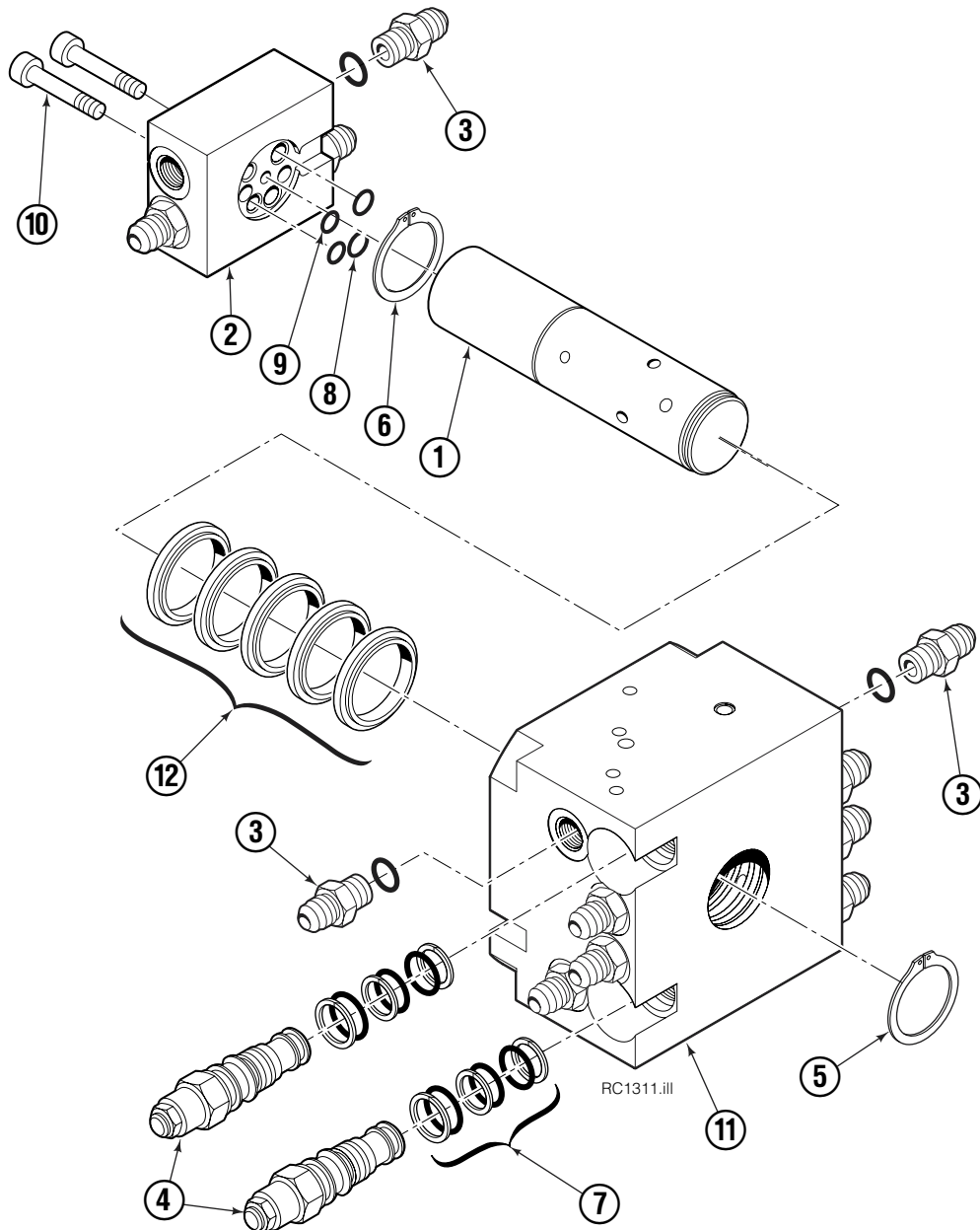


90F							
REF	QTY	PART NO.	DESCRIPTION	REF	QTY	PART NO.	DESCRIPTION
		6025898	Hose Group	11	1	675049	Tube
1	2	206606	Angle	12	1	675050	Tube
2	1	6025133	Revolving Connection ▲	13	1	675048	Tube
3	4	675067	Hose, 34.00 in.	14	1	675047	Tube
4	4	6288	Lockwasher, 3/8	15	1	675045	Tube
5	4	3600	Capscrew, 3/8 NC x .625	16	1	675044	Tube
6	8	2347	Fitting, 6-6	17	1	675046	Tube
7	8	674743	Eye Bolt	18	2	649086	Cable Tie
8	4	381146	Hose, 26.30 in.	19	2	208780	Shoulder Bolt
9	1	675051	Tube	20	2	209021	Washer
10	2	675058	Hose, 18.25 in.	21	2	208765	Grommet

▲ See Revolving Connection page for parts breakdown.

Reference: SK-5831.

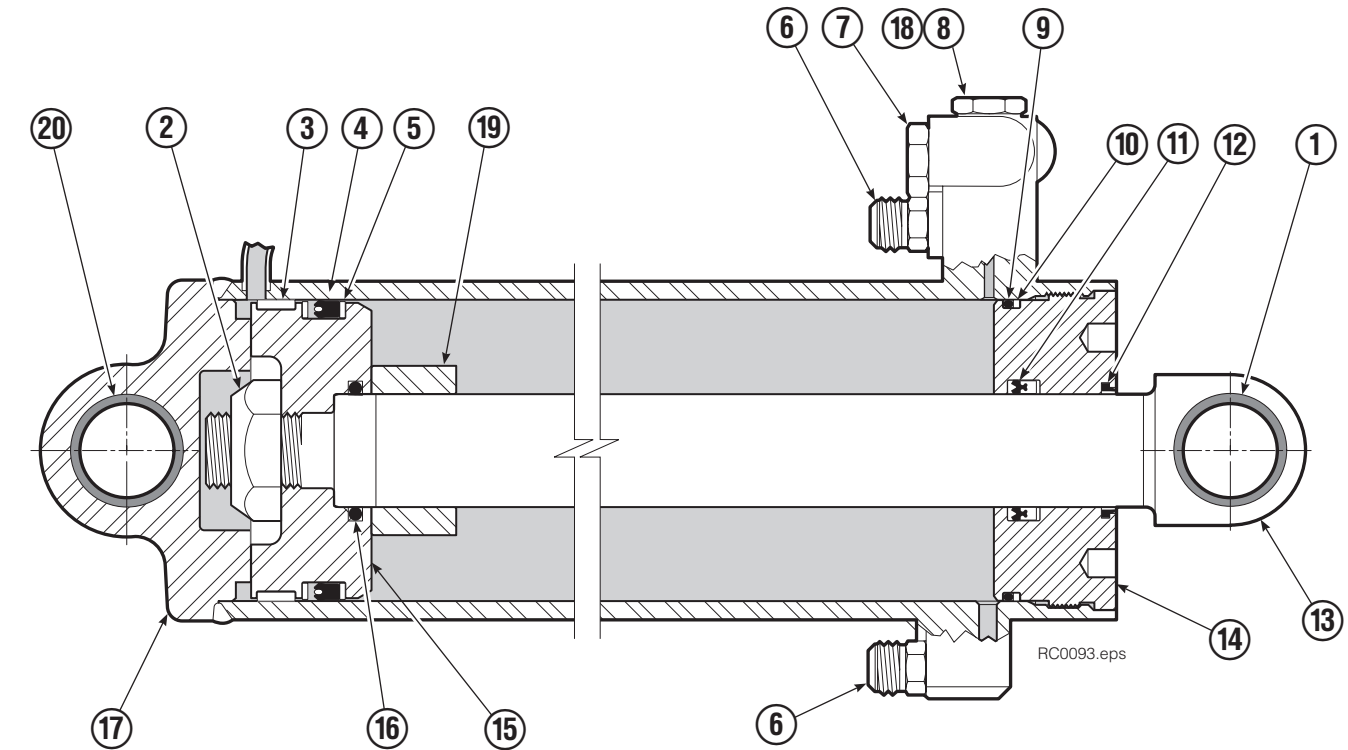
# Revolving Connection



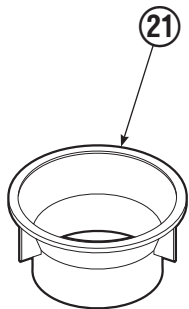
REF	QTY	PART NO.	DESCRIPTION
		6025133	Revolving Connection
1	1	6017883	Shaft
2	1	6017882	End Block
3	14	604511	Fitting, 6
4	2	674732	Counterbalance Valve
5	1	3138	● Retaining Ring
6	1	7341	● Retaining Ring
7	2	667516	Service Kit
8	2	684587	● O-Ring
9	2	613376	● O-Ring
10	2	768797	● Capscrew, M8 x 40
11	1	6018024	Body
12	5	214649	● Shaft Seal
		6018085	Service Kit

● Included in Service Kit 6018085.

# Cylinder Assembly



RC0093.eps

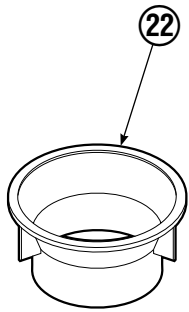
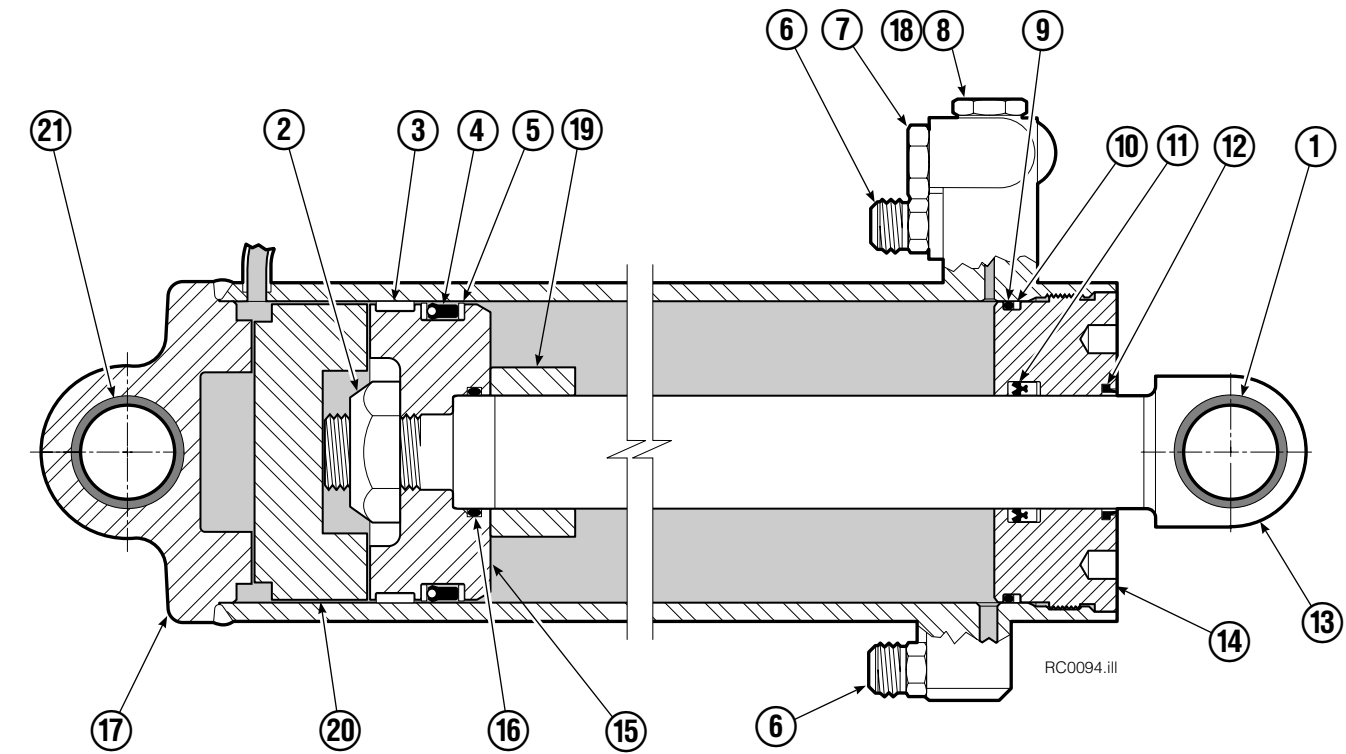


REF	QTY	PART NO.	DESCRIPTION
		385089	Cylinder Assembly
1	1	674843	Bearing
2	1	560997	Nut
3	1	660769	▲ Bearing
4	1	662462	▲ Seal
5	2	638295	▲ Back-Up Ring
6	2	604511	Fitting, 6-6
7	1	556852	Fitting, 4
8	1	557212	Check Valve
9	1	6025373	▲ O-Ring
10	1	615144	▲ Back-Up Ring
11	1	554598	▲ Seal
12	1	564930	▲ Wiper
13	1	584302	Rod
14	1	555724	Retainer
15	1	557389	Piston
16	1	2722	▲ O-Ring
17	1	584300	Shell
18	1	667516	Check Valve Service Kit
19	1	—	Spacer
20	2	675006	Bearing
21	1	669243	Seal Loader
		555725	Service Kit

▲ Included in Service Kit 555725.

Reference: S-5313, S-5314.

# Long Arm Cylinder

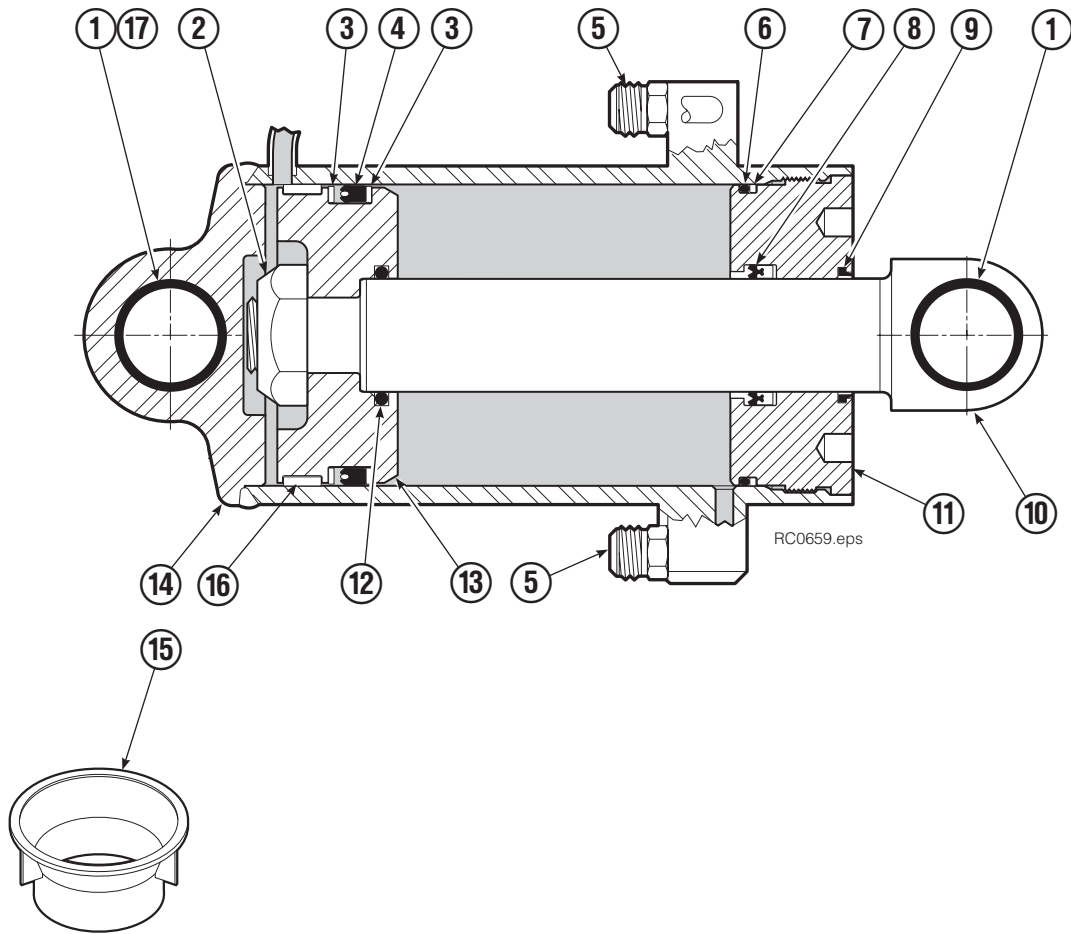


REF	QTY	PART NO.	DESCRIPTION
		381131	Cylinder Assembly
1	1	674843	Bearing
2	1	560997	Nut
3	1	660769	◆ Bearing
4	1	662462	◆ Seal
5	2	638295	◆ Back-Up Ring
6	2	604511	Fitting, 6-6
7	1	556852	Fitting, 4
8	1	557212	Check Valve
9	1	2801	◆ O-Ring
10	1	562731	◆ Back-Up Ring
11	1	554598	◆ Seal
12	1	564930	◆ Wiper
13	1	584299	Rod
14	1	555724	Retainer
15	1	557389	Piston
16	1	2722	◆ O-Ring
17	1	584297	Shell
18	1	667516	Check Valve Service Kit
19	1	—	Spacer
20	1	—	Spacer
21	2	674843	Bearing
22	1	669243	◆ Seal Loader
		555725	Service Kit

◆ Included in Service Kit 555725.

Reference: S-5320.

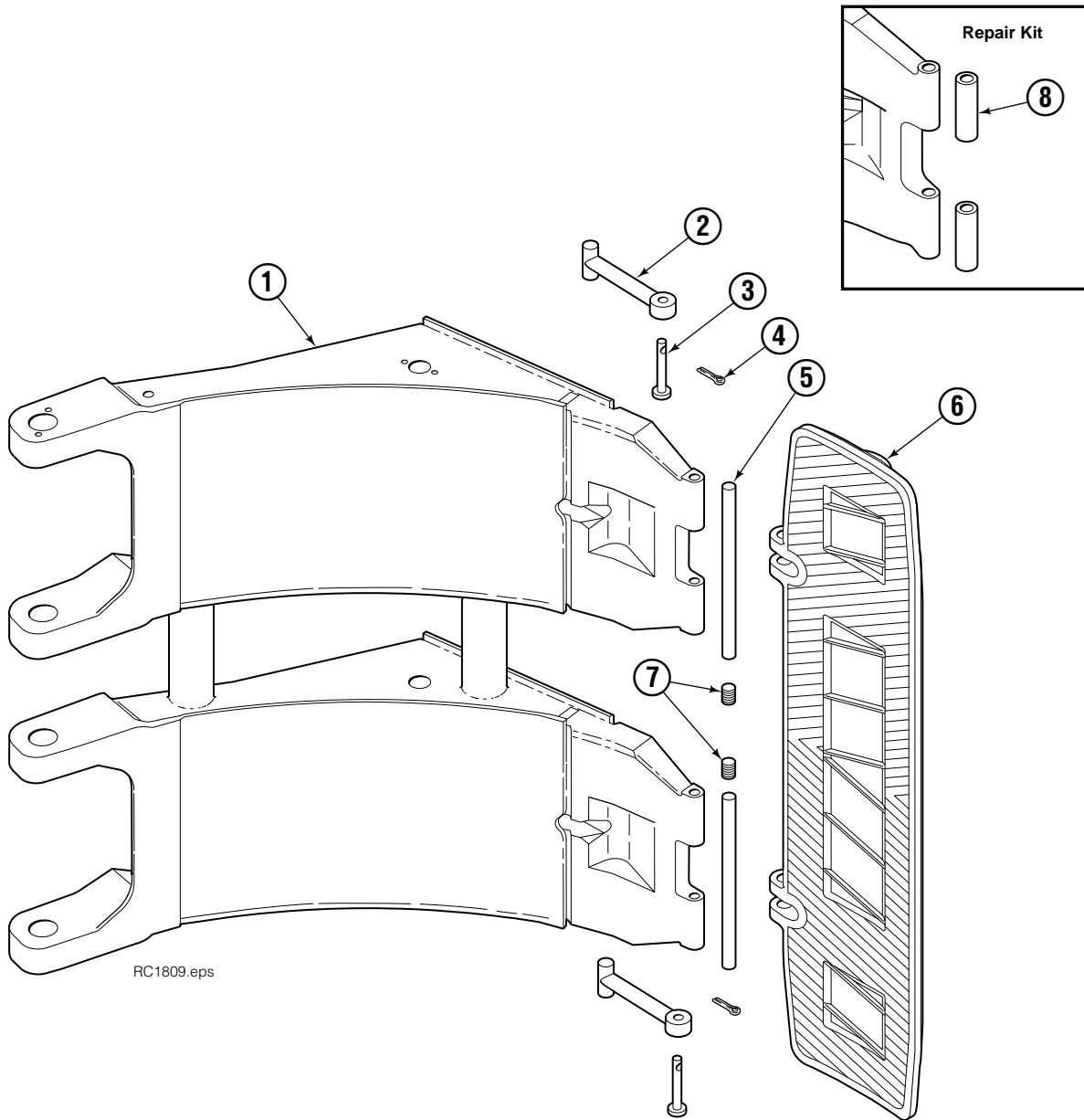
# Swing Cylinder Assembly



REF	QTY	PART NO.	DESCRIPTION
		580034	Cylinder Assembly
1	3	674843	Bearing
2	1	561997	Nut
3	2	638295	◆ Nylon Ring
4	1	662462	◆ Seal
5	2	604511	Fitting, 6-6
6	1	2801	◆ O-Ring
7	1	563977	◆ Back-Up Ring
8	1	554598	◆ Seal
9	1	564930	◆ Wiper
10	1	557713	Rod
11	1	555724	Retainer
12	1	2722	◆ O-Ring
13	1	557389	Piston
14	1	555776	Shell
15	1	672910	◆ Seal Loader
16	1	660769	◆ Wear Ring
17	1	558837	Sleeve
		555725	Service Kit

◆ Included in Service Kit 555725.

# Contact Pad Group and Short Arm

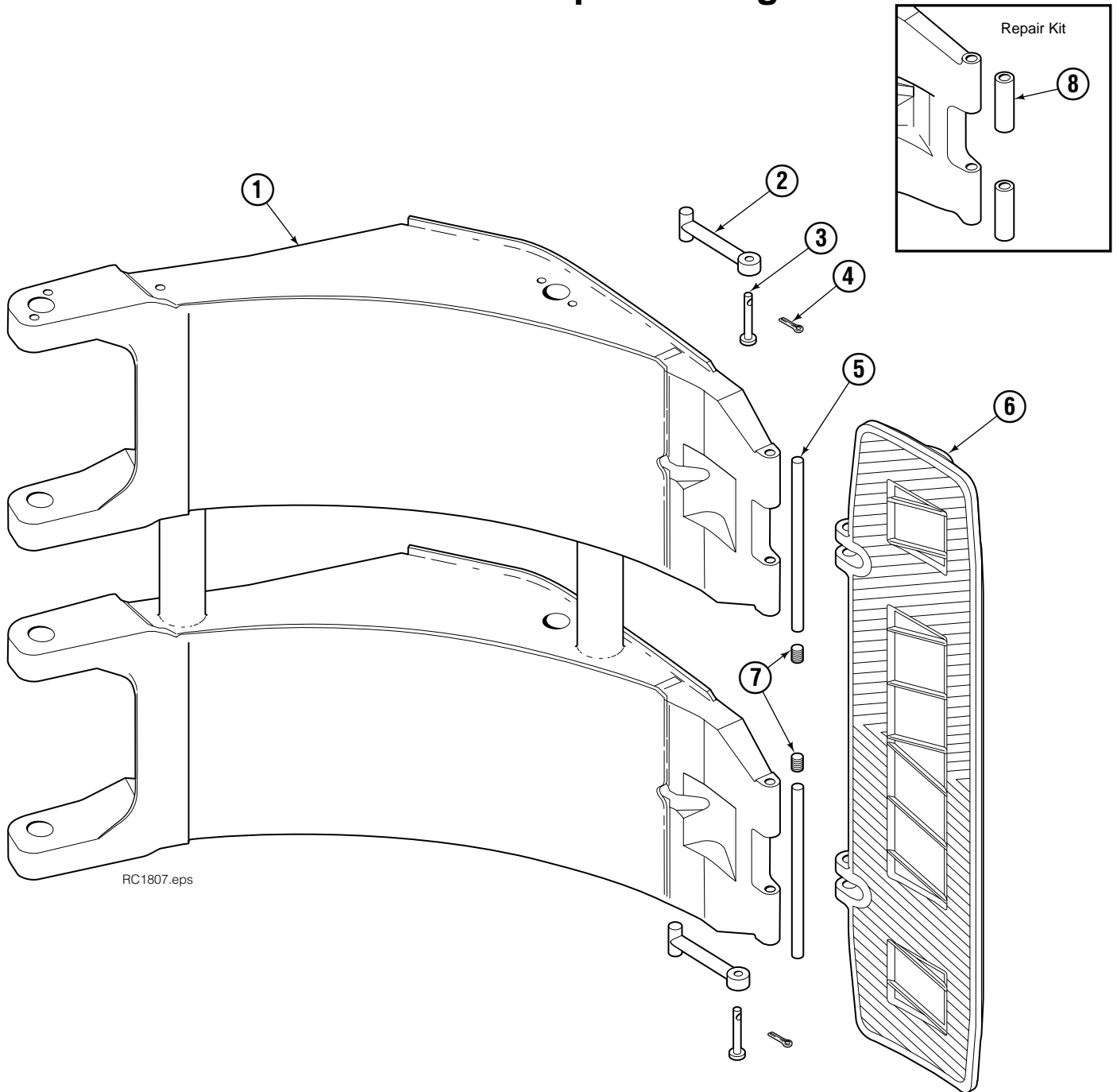


RC1809.eps

90F			
REF	QTY	PART NO.	DESCRIPTION
		398938	Contact Pad Group ●
1	1	385093	Short Arm
2	2	674994	Link
3	2	682978	Clevis Pin
4	2	6525	Cotter Pin
5	2	674993	Pin
6	1	338707	Contact Pad
7	2	689900	Plug
8	1	676810	Arm Tip Repair Kit

● Includes items 2 through 7 only.

# Contact Pad Group and Long Arm

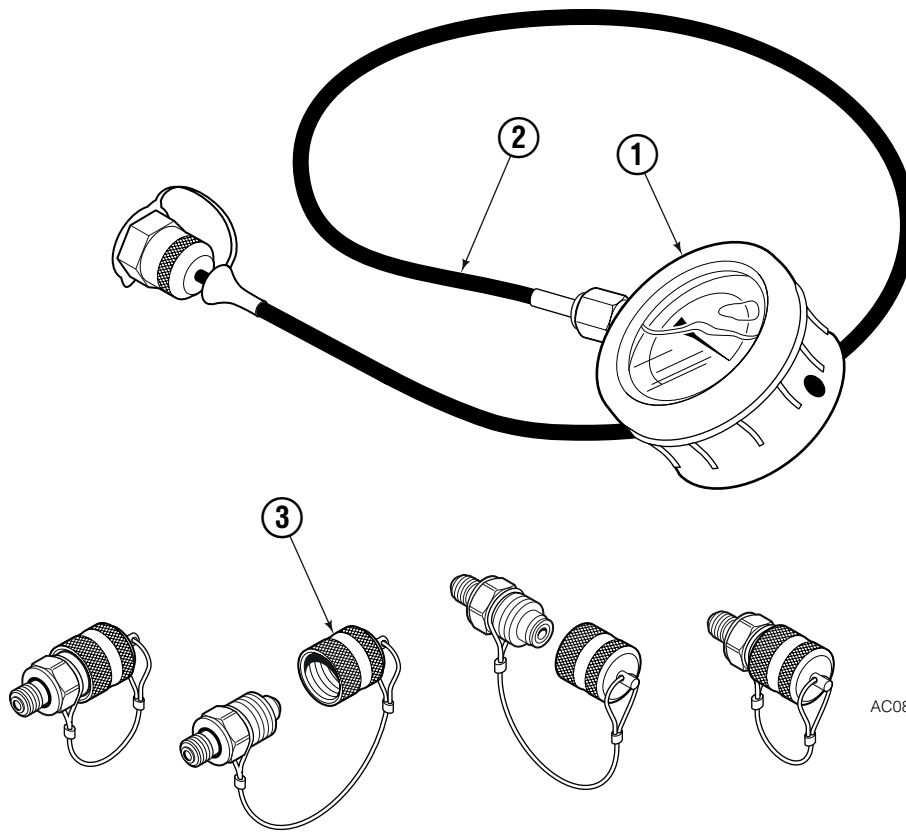


RC1807.eps

90F			
REF	QTY	PART NO.	DESCRIPTION
		398938	Contact Pad Group ●
1	1	381133	Long Arm
2	2	674994	Link
3	2	682978	Clevis Pin
4	2	6525	Cotter Pin
5	2	674993	Pin
6	1	338707	Contact Pad
7	2	689900	Plug
8	1	676810	Arm Tip Repair Kit

● Includes items 2 through 7 only.

# Pressure Test Gauge Kit



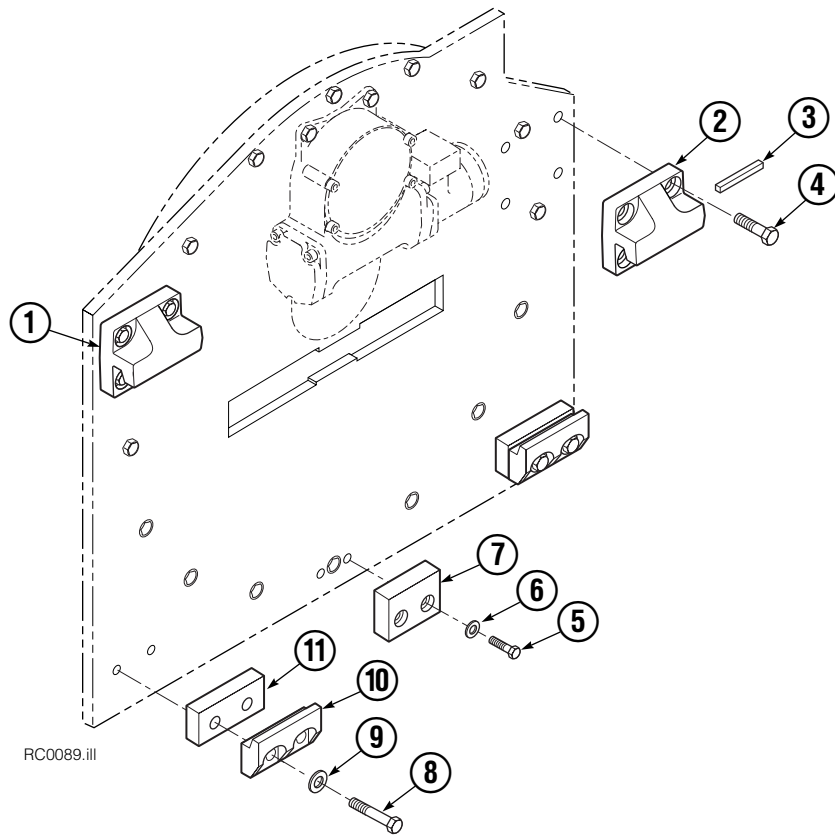
AC0854.ill

REF	QTY	PART NO.	DESCRIPTION
		6034612	Pressure Gauge Kit ●
		<b>6034611</b>	Test Point Fitting Kit ■
1	1	6006017	Gauge with Guard
2	1	6004477	Hose
3	4	6004478	Test Point Fitting

● Includes items 1 and 2.

■ Includes item 3.

# Bolt-On Mounting Group



Class IV, 1.8°			
REF	QTY	PART NO.	DESCRIPTION
		684880	Mounting Group
1	1	684877	Upper Hook – LH
2	1	675061	Upper Hook – RH
3	1	670704	Stop Kit
4	8	679082	Capscrew, M20 x 35
5	2	768810	Capscrew, M10 x 30
6	2	680030	Lockwasher, M10
7	1	681057	Center Spacer
8	4	676854	Capscrew, M20 x 60
9	4	670692	Washer
10	2	679832	Lower Hook
11	2	681056	Spacer

Reference: SK-5286.

**Do you have questions you need answered right now?** Call your nearest Cascade Parts Department. Visit us online at [www.cascorp.com](http://www.cascorp.com)

**Cascade Corporation**

2501 Sheridan Avenue  
Springfield, OH 45505  
Tel: 888-CASCADE (227-2233)  
FAX: 888-329-0234

**Cascade Canada Inc.**

5570 Timberlea Blvd.  
Mississauga, Ontario  
Canada L4W-4M6  
Tel: 905-629-7777  
FAX: 905-629-7785

**Cascade GmbH**

Dahlener Strasse 570  
41239 Mönchengladbach  
Germany  
Tel: 02166-68230  
FAX: 02166-682323

**Cascade Finland**

A. Petreliuksenkatu 3  
01370 Vantaa  
Finland  
Tel: 09-8361925  
FAX: 09-8361935

**Cascade N.V.  
Benelux Sales and Service**

Damsluisweg 56  
PO Box 3009  
1300 El Almere  
The Netherlands  
Tel: 036-5492950  
FAX: 036-5492974

**Cascade (UK) Ltd.**

Unit 5, Eden Close  
Hellaby Lane Ind. Estate  
Heellaby,  
Rotherham S66 8RW  
England  
Tel: 01709-704500  
FAX: 01709-704501

**Sales Scotland  
Macade Systems Ltd.**

18 Melford Road  
Righead Ind. Estate  
Bellshill ML4 3LR  
Scotland  
Tel: 01698-845777  
FAX: 01698-845888

**Cascade (Africa) Pty. Ltd.**

PO Box 625, Isando 1600  
60A Steel Road  
Sparton, Kempton Park  
South Africa  
Tel: 975-9240  
FAX: 394-1147

**Cascade Scandinavia AB**

Hammarvägen 10  
PO Box 124  
S-56723 Vaggeryd  
Sweden  
Tel: 039-336950  
FAX: 039-336959

**Cascade France  
S.A.R.L. MHP**

1D Rue De Charaintru  
BP 18,  
91360 Epinay-Sur-Orge  
France  
Tel: 01-6454-7500  
FAX: 01-6454-7501

**Cascade Hispania S.A.**

Carrer 5, Sector C  
Zona Franca Duanera  
Poligono de la Zona Franca  
08040 Barcelona  
Spain  
Tel: 93-264-07-30  
FAX: 93-264-07-31

**Sales Italy**

Via Ponzano 11  
50047 Prato  
Italy  
Tel: 0574-571726  
FAX: 0574-571726  
Mobile Phone: 0337-673029

**Sales Portugal FAG  
Santos Lda**

Rua do Mercado  
Lte 6, Loja 2-Tires  
2785-630  
S. Domingos De Rana  
Portugal  
Tel: 214-448-083  
FAX: 214-458-098

**Sales Switzerland  
Fahrzeugbedarf**

8810, Horgen  
Switzerland  
Tel: 01-7279797  
FAX: 01-7279798

**Sales Poland**

Targowa 35/61  
03-728 Warszawa  
Tel: 022-619 00 49  
FAX: 022-619 00 49  
Mobile Phone: 0501-27 29 55

**Sales Russia**

EMCG Material Handling  
Equipment  
Moscow  
Tel: 095-795-2400  
FAX: 095-795-2475  
Email: [emcg@dol.ru](mailto:emcg@dol.ru)

**Cascade Japan Ltd.**

5-5-41,  
Torikai Kami  
Settsu, Osaka  
Japan, 566  
Tel: 81-726-53-3490  
FAX: 81-726-53-3497

**Cascade Korea**

108B Namdong Ind. Complex  
658-3 Gojan-Dong  
Namdong-Gu  
Inchon, 405-310 Korea  
Tel: 82-32-821-2051  
FAX: 82-32-821-2055

**Cascade Australia**

1445 Ipswich Road  
Rocklea, QLD 4106  
Australia  
Tel: 1-800227-223  
FAX: (07) 3373-7333

**Cascade New Zealand**

15 Ra Ora Drive  
East Tamaki, Auckland  
New Zealand  
Tel: 9-273-9136  
FAX: 9-273-9137

**Cascade-Xiamen**

No. 668 Yangguang Rd.  
Xinyang Industrial Zone  
Haicang, Xiamen City  
Fujian Province  
P.R. China 361026  
Tel: 86-592-651-2500  
FAX: 86-592-651-2571

**Cascade (Singapore)  
Trading Co.**

Four Seasons Park  
Autumn Block - Apt. 1802  
12 Cuscaden Walk  
Singapore  
Tel: 65-834-1935  
FAX: 65-834-1936

