



Parts Manual

30E Rotator

Serial Numbers 680089 through 201091

Manual Number 681328 R-1

cascade®

Cascade is a Registered Trademark of Cascade Corporation

How To Use This Manual

Introduction

This manual illustrates service replacement parts for standard production Cascade 30E Rotators.

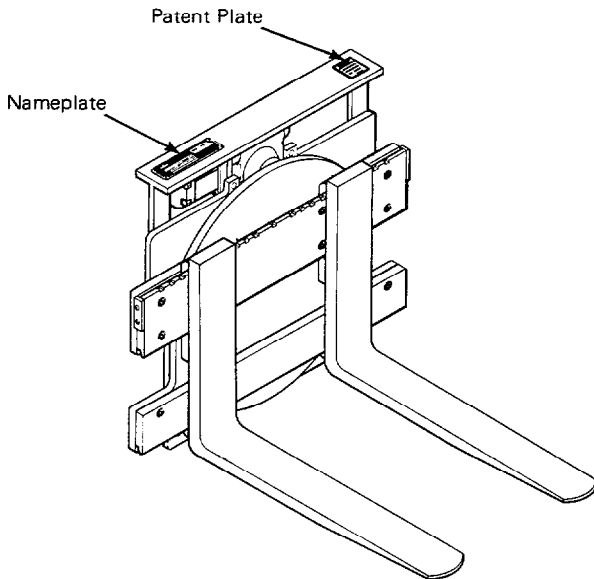
The parts manuals for attachments designed by the Application Engineering Department have an A.E.D. designation on the cover of the manual.

This standard attachment manual is not interchangeable with an A.E.D. manual since it does not reflect the special engineering of an A.E.D. attachment.

To locate a service replacement part for a standard attachment, follow these steps.

1. Locate the Nameplate

The nameplate is attached to the top baseplate cross-bar. If the nameplate is missing, all necessary information is stamped into the baseplate at the same location.



2. Note the Serial Number

Record the six-digit Serial Number. See the example.

3. Refer to Serial Number Index

Locate your Serial Number in the Serial Number Index on the following page.

IMPORTANT: DO NOT USE THIS MANUAL TO ORDER PARTS FOR AN A.E.D. ATTACHMENT. Contact Cascade Corporation to obtain the correct parts manual. You must supply the serial number and all additional equipment numbers to order the correct manual.

4. Ordering

Retail Customers - Cascade Service Replacement Parts and Service Literature are sold through authorized lift truck dealers. To order, contact the lift truck dealer of your choice.

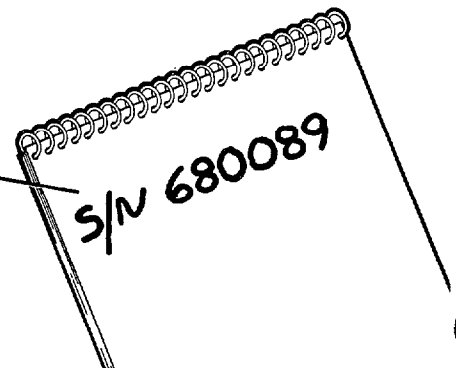
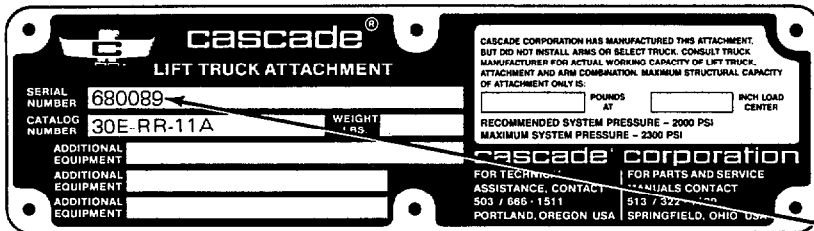
Lift Truck Dealers - To order Service Replacement Parts or Service Literature, contact:

Cascade Parts Depot
2501 Sheridan Avenue
Springfield, Ohio 45505
Telephone: 513-322-1199
Telex: 279563
FAX: 513-325-9270

5. Parts Log

We have supplied a parts ordering log located on the last page. Use this log as a permanent record of parts ordered from this manual.

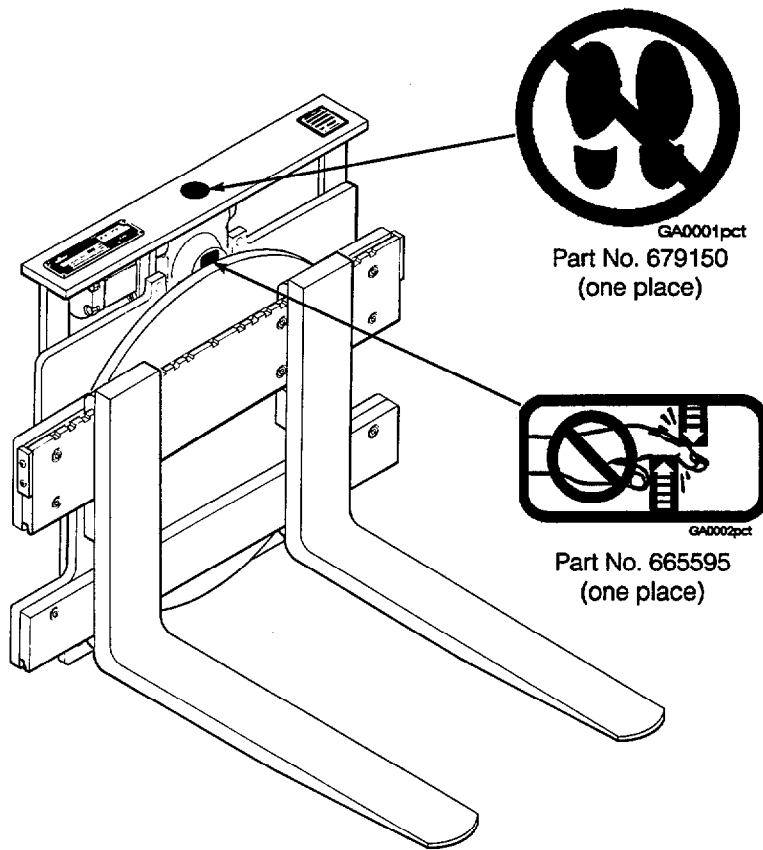
WARNING: For the safety of yourself and others, DO NOT install any parts, unless you have thoroughly reviewed the appropriate installation and service manuals. For additional information, call 1-800-CAS-CADE (227-2233)



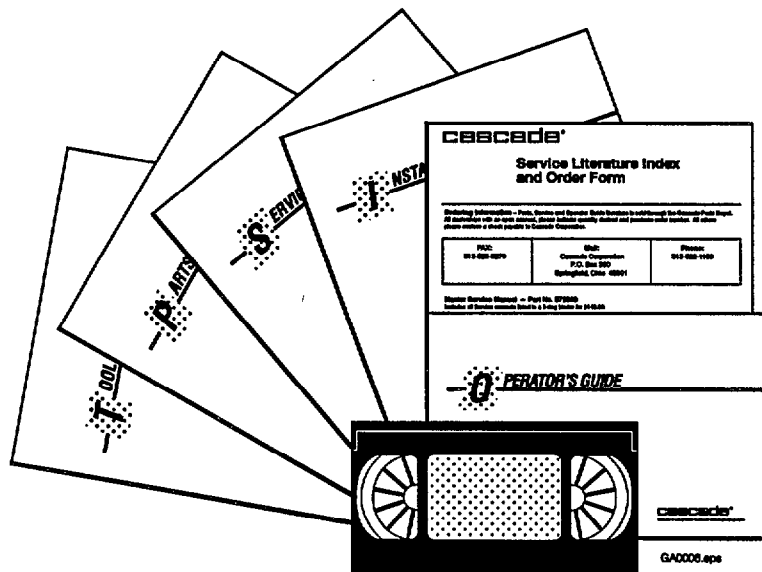
Serial Number Index

Serial Number	Base Unit Group Page	Drive Group Page	Fork Bar Group Page	Adjustable Forks Page	Mounting Group Page
680089	1	3	4	5	6
680090	1	3	4	5	6
680091	1	3	4	5	6
680092	1	3	4	5	6
680093	1	3	4	5	6
680094	1	3	4	5	6
201086	2	3	4	5	6
201087	2	3	4	5	6
201088	2	3	4	5	6
201089	2	3	4	5	6
201090	2	3	4	5	6
201091	2	3	4	5	6

Safety Decals

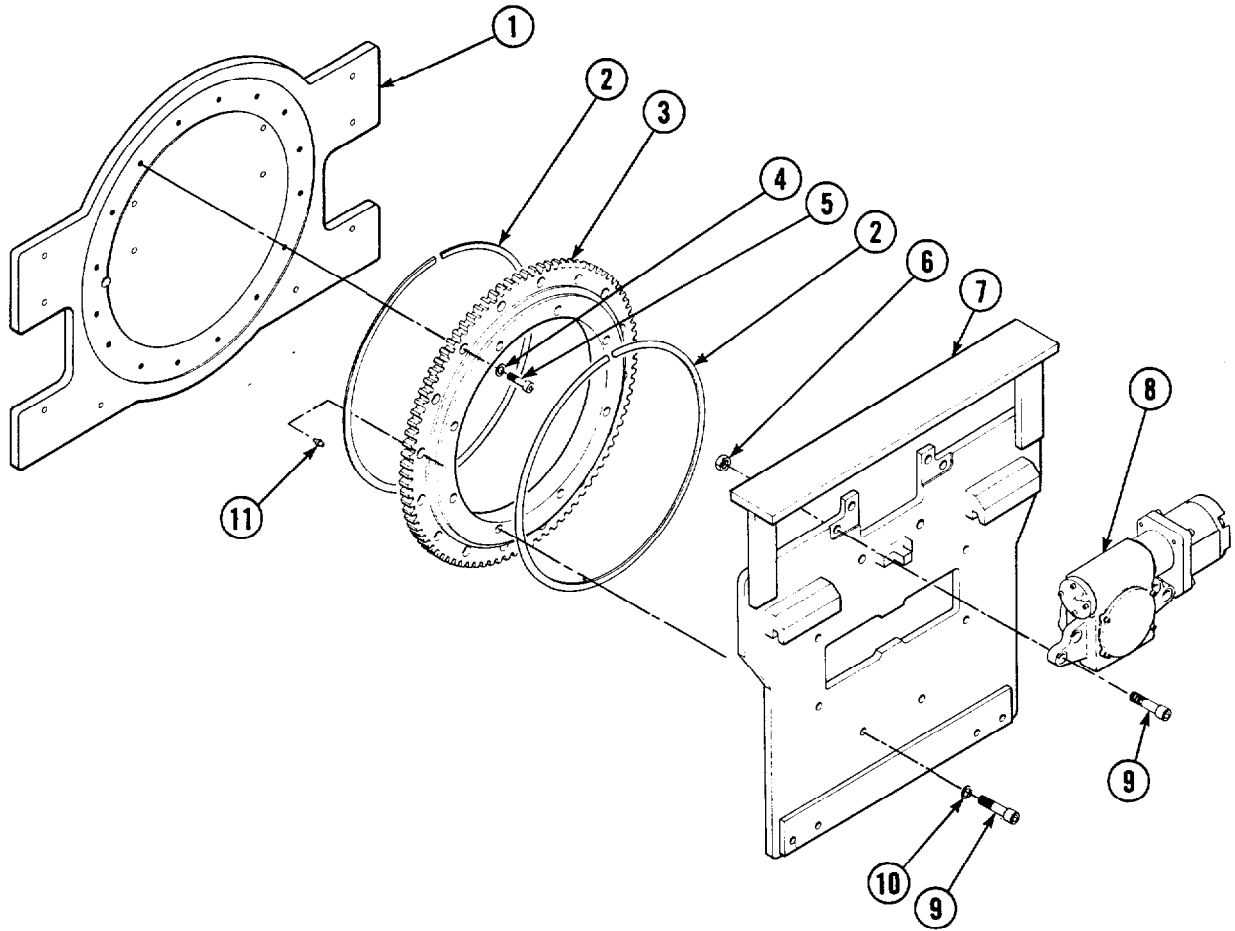


Publications



PART NO.	DESCRIPTION
681328	Parts Manual
684597	Service Manual
672714	Operators Guide
680043	Installation Instructions
679929	Tool Catalog
673964	Literature Index Order Form

Base Unit Group

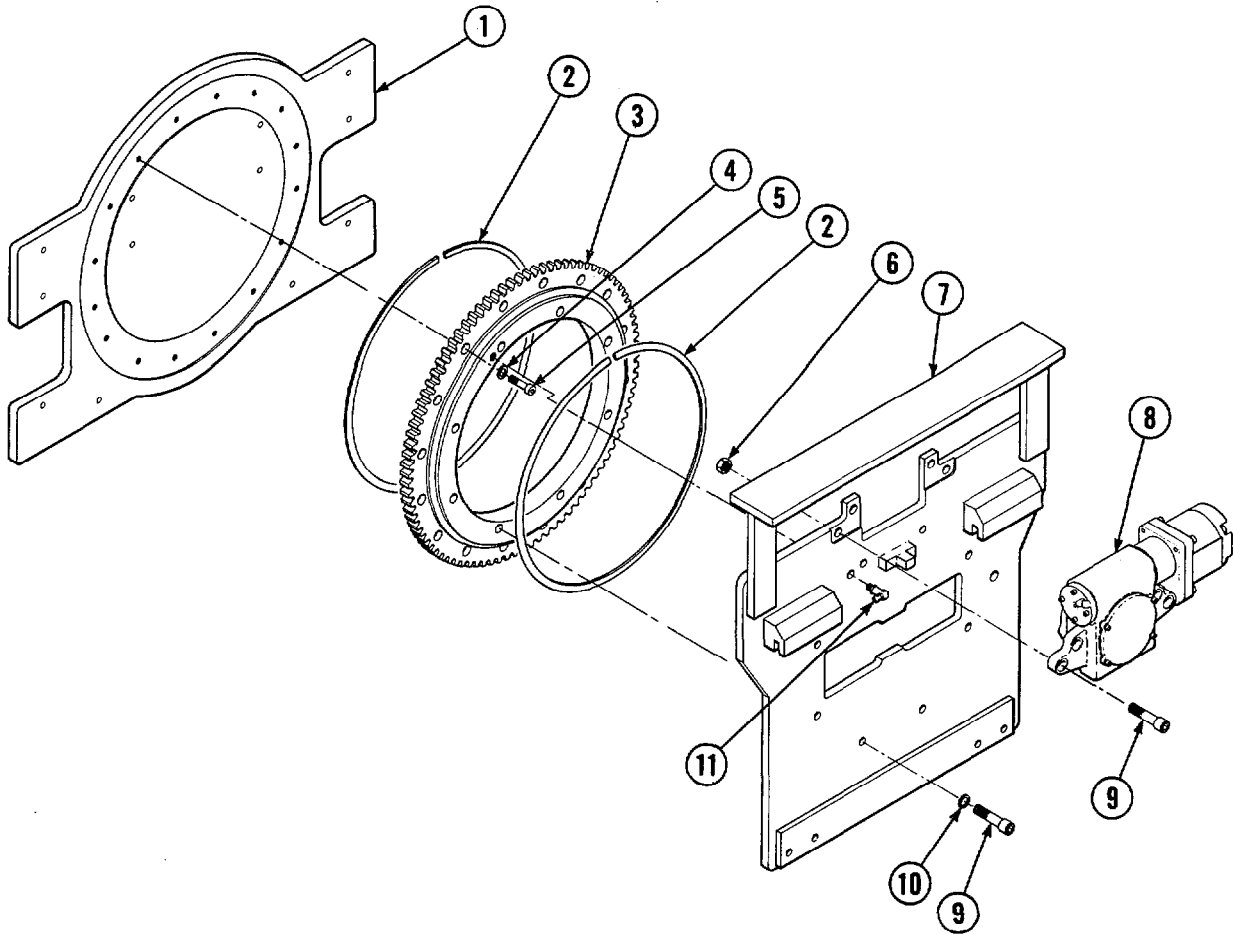


30E			
REF	QTY	PART NO.	DESCRIPTION
		679134	Base Unit Group
1	1	679147	Faceplate
2	2	673043	Seal
3	1	679121	■ Bearing Assembly
4	16	678991	Lockwasher
5	16	769571	Cap screw
6	4	678990	Nut
7	1	201063	Baseplate
8	1	679106	◆ Drive Group
9	12	769577	Cap screw
10	8	678992	Lockwasher
11	1	651853	Grease Fitting

■ Includes items 2 and 11.

◆ See page 3 for replacement parts breakdown.

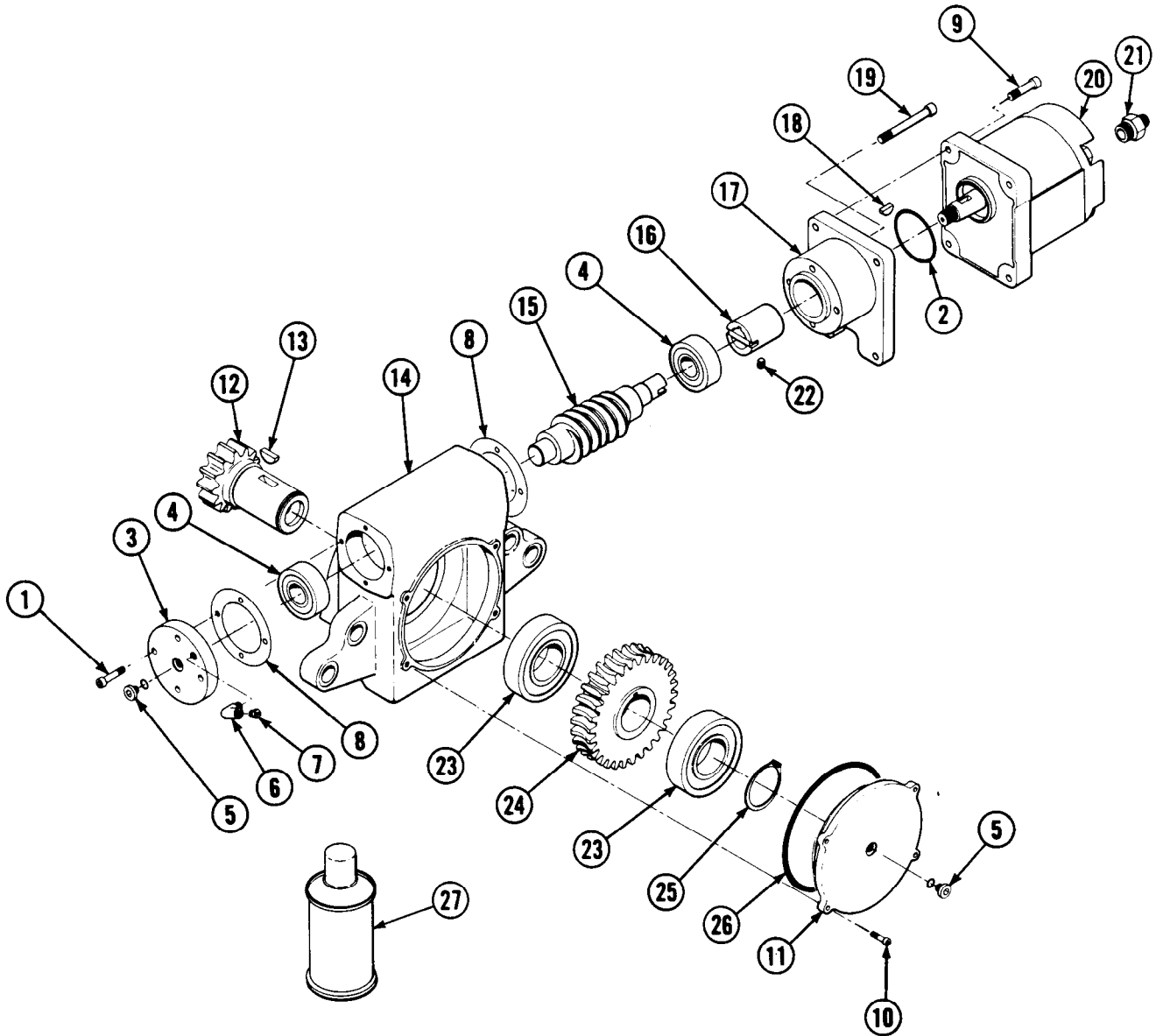
Base Unit Group



30E			
REF	QTY	PART NO.	DESCRIPTION
		201085	Base Unit Group
1	1	201800	Faceplate
2	2	673043	Seal
3	1	201082	■ Bearing Assembly
4	16	678991	Lockwasher
5	16	768827	Capscrew
6	4	678990	Nut
7	1	201083	Baseplate
8	1	679106	◆ Drive Group
9	12	762613	Capscrew
10	8	678992	Lockwasher
11	1	201080	Grease Fitting

- Includes item 2.
- ◆ See page 3 for replacement parts breakdown.

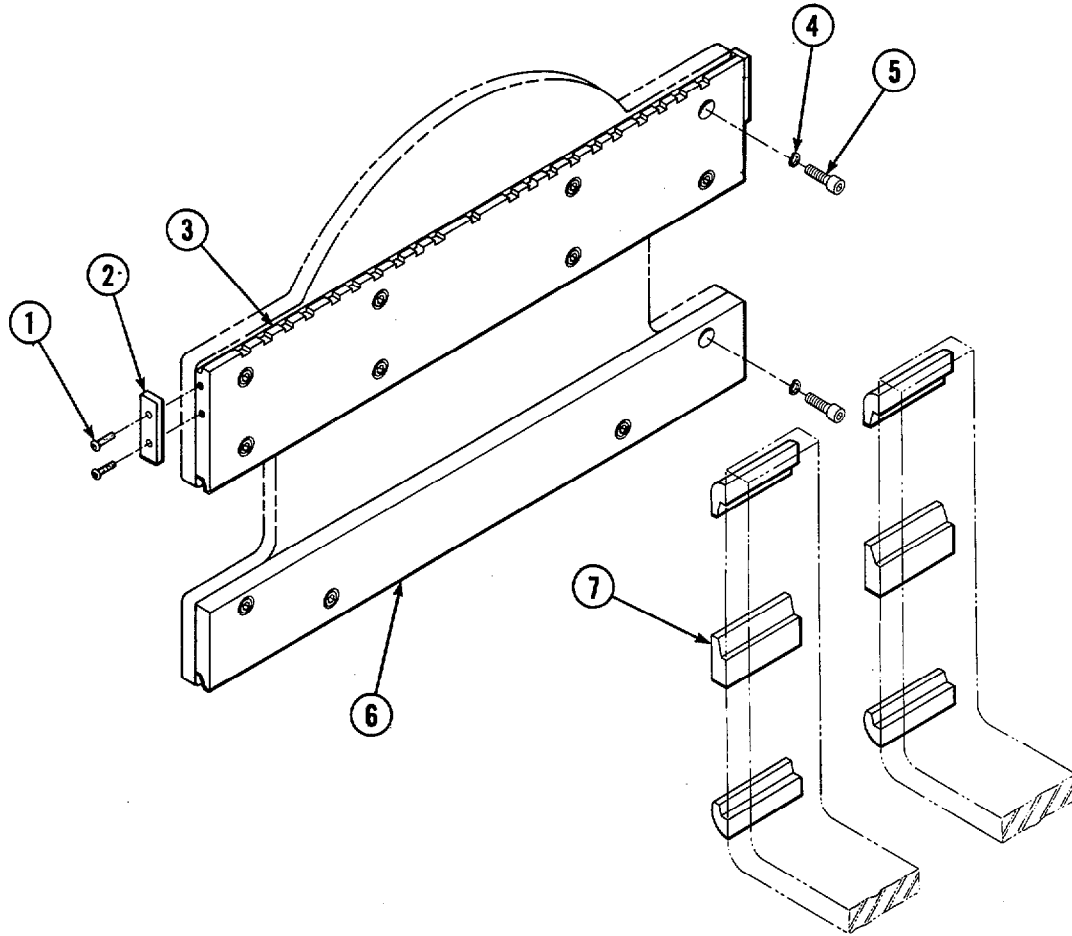
Drive Group



30E

REF	QTY	PART NO.	DESCRIPTION	REF	QTY	PART NO.	DESCRIPTION
		679106	Drive Group	15	1	679109	Worm
1	4	768786	Capscrew, M6 X 25-8.8	16	1	679118	Coupling
2	1	643352	O-Ring	17	1	679115	Adapter
3	1	679114	End Cap	18	1	678999	Key
4	2	678985	Bearing	19	4	768792	Capscrew, M6 X 60-8.8
5	2	663694	Fitting, 3	20	1	206418	Motor
6	1	6688	Fitting, 2	21	2	626505	Fitting, 10-6
7	1	644010	Relief Fitting	22	1	678994	Setscrew
8	2	679808	Shim-.002 in.(.05mm)	23	2	678986	Bearing
9	4	768787	Capscrew, M6 X 30-8.8	24	1	679110	Worm Gear
10	4	752845	Capscrew, M6 X 16-8.8	25	1	678987	Snap Ring
11	1	679112	Cover	26	1	643368	O-ring
12	1	679111	Pinion	27	1	656300	Gear Lube (48 oz.)
13	1	201815	Key			206419	Motor Shaft Seal Kit
14	1	679107	Gear Case			206421	Motor Service Kit

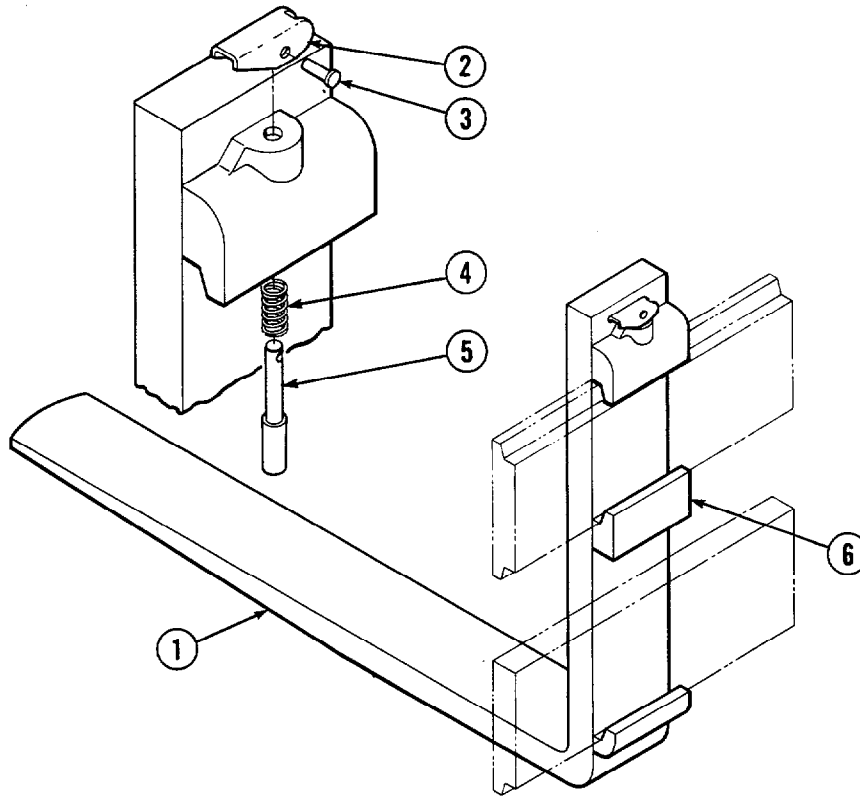
Fork Bar Group



30E			
REF	QTY	PART NO.	DESCRIPTION
		680087	■ Fork Bar Group
		680088	Fork Bar Group
1	4	680084	Capscrew
2	2	624394	Keeper
3	1	680085	Upper Fork Bar
4	12	678992	Lockwasher
5	12	768838	Capscrew, M16 X 30-8.8
6	1	680086	Lower Fork Bar
7	2	689279	Middle Hook

■ Does not include item 7.

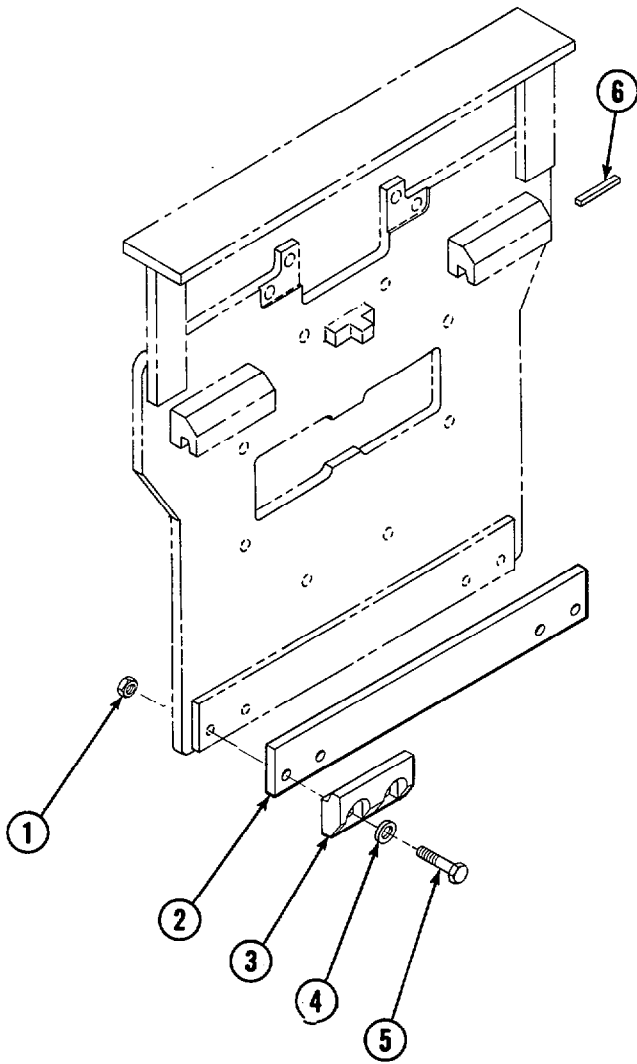
Adjustable Forks



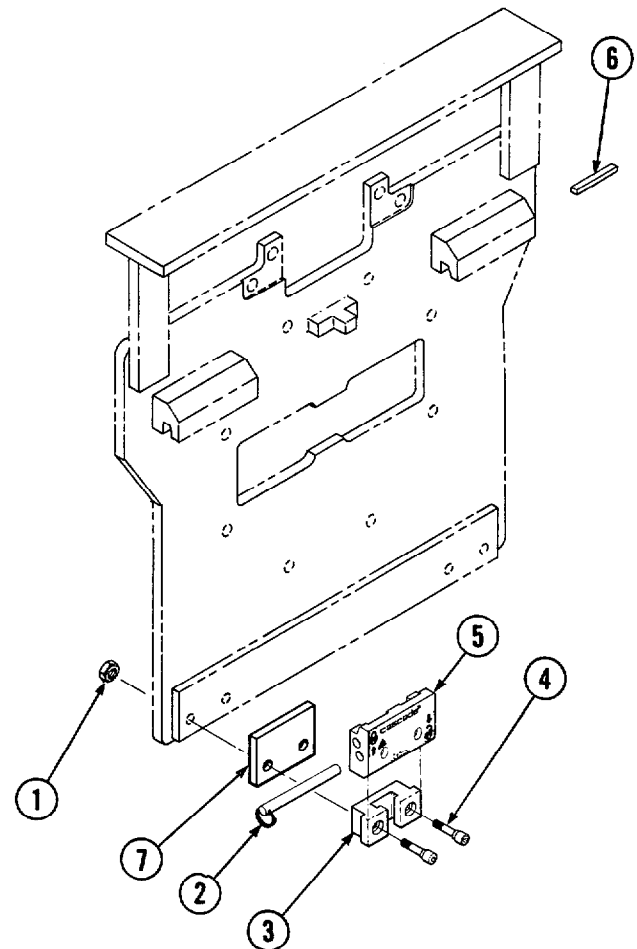
30E						
REF	QTY	30" PART NO.	36" PART NO.	42" PART NO.	48" PART NO.	DESCRIPTION
		633042	633043	633044	633045	Fork Assembly
1	1	645602	645603	645604	645605	● Fork
2	1	622897	622897	622897	622897	Handle
3	1	8007	8007	8007	8007	Rivet
4	1	622908	622908	622908	622908	Spring
5	1	622907	622907	622907	622907	Pin
6	1	689279	689279	689279	689279	■ Middle Hook

- Includes item 6 welded in place.
- Required when using customer supplied forks.

Mounting Group ITA II - 0°



30E			
REF	QTY	PART NO.	DESCRIPTION
		680024	Mounting Group
1	4	678990	Nut
2	1	679148	Spacer
3	2	675968	Hook
4	4	667225	Washer
5	4	678997	Capscrew
6	1	669344	Stop Kit



30E			
REF	QTY	PART NO.	DESCRIPTION
		680025	Mounting Group
1	4	678990	Nut
2	2	678832	Pin
3	2	675715	Guide
4	4	679817	Capscrew
5	2	675514	Hook
6	1	669344	Stop Kit
7	2	679148	Spacer

Recommended Spare Parts List

30E Rotators				
PART NUMBER	DESCRIPTION	ATTACHMENTS SERVICED		
		1-5	6-19	20-50
	DRIVE GROUP			
679109	Worm	0	1	2
679110	Worm Gear	0	1	2
678985	Worm Bearings	2	4	6
679111	Pinion	0	1	2
678986	Pinion Bearings	2	4	6
678987	Snap Ring	1	2	4
643368	O-Ring	1	5	5
206418	Motor	1	2	4
679118	Coupling	1	2	4
678999	Key	1	2	4
656300	Gear Lube (48oz.)	1	2	2
206419	Motor Shaft Service Kit	1	2	2
206421	Complete Motor Service Kit	1	2	2
	MOUNTING GROUP			
669344	Stop Kit	1	2	2
	PUBLICATIONS			
681328	Parts Manual	1	1	1
684597	Service Manual	1	1	1
680043	Installation Instruction	1	1	1
672714	Operator's Guide	1	1	1
679929	Tool Catalog	1	1	1
673964	Literature Index Order Form	1	1	1
	PAINT			
685660	12 oz. Aerosol Can Heritage White	1	2	2

Do you have questions you need answered right now? Call your nearest Cascade Parts Department.

Cascade Corporation
2501 Sheridan Avenue
Springfield, Ohio 45505
Tel: 513-322-1199
Telex: 279563
FAX: 513-325-9270

Cascade Hydraulics Ltd.
5570 Timberlea Blvd.
Mississauga, Ontario
Canada L4W-4M6
Tel: 416-629-7777
Telex: 069-60428
FAX: 416-629-7785

Cascade GmbH
Klosterhofweg 52
4050 Monchengladbach 3
B.R. Deutschland
Tel: 2166-602091
Telex: 852812 casc d
FAX: 2166-680947

Cascade N.V.
Ruukinkatu 13
48100 Kotka
Finland
Tel: 952-181833
Telex: 53233 casfi sf
FAX: 952-184833

**Cascade N.V.
European Headquarters**
P.O. Box 50086
1305 AB Almere-Haven
Achterwerf 240
1357 CB Almere-Haven
The Netherlands
Tel: 31-3240-92911
Telex: 40838 case nl
FAX: 31-3240-14223

**Cascade N.V.
Benelux Sales and Service**
P.O. Box 170
1110 AD Diemen
Weesperstraat 110
1112 AP Diemen
The Netherlands
Tel: 20-906411
Telex: 14495 casc nl
FAX: 20-903701

Cascade (UK) Ltd.
15, Orgreave Crescent
Dore House Industrial Estate
Handsworth
Sheffield S13 9NQ
England
Tel: 742-697524/5/6/7
Telex: 547254 cascsh g
FAX: 742-695121

Cascade Italia s.r.l.
Via Tolstoi 39
Ind. Fraz. Zivido
20098 S. Giuliano Milanese
Milano
Italy
Tel: 2-98491763
Telex: 325298 casc it
FAX: 2-9848116

**Cascade Scandinavia
Hydraulik A.B.**
Muskötgatan 17-(E.8-9)
25255 Helsingborg
Sweden
Tel: 42-151135
Telex: 72565 casc hbgs
FAX: 42-152997

Cascade France S.A.R.L.
11, Rue Jean Charcot
Zone Industrielle Sud
B.P. 22
91421 Morangis Cedex
France
Tel: (1) 69091139
Telex: cascade 604016 f
FAX: (1) 69345705

Cascade Hispania S.A.
Avenida De La Fabregada, 7
Hospitalet De Llobregat
Barcelona
Spain
Tel: 93-3355158
Telex: 54018 casc e
FAX: 93-3354756

Cascade Japan Ltd.
5-5-41,
Torikai Kami
Settsu, Osaka
Japan, 566
Tel: 81-726-53-3490
Telex: 781-5332128 CASCFE
FAX: 81-726-53-3497

**Cascade Materials Handling
(Aust.) Pty. Ltd.
(Incorporated in N.S.W.)**
121 Long Street
Smithfield, N.S.W. 2164
Australia
Tel: 2-604-6222
Te/Ac: 790-24302
Cable: Cascaus
FAX: 61-2-609-2742

**Cascade Materials Handling
(Aust.) Pty. Ltd.**
44E Winterton Road
Clayton, Victoria 3168
Australia
Tel: 3-543-4344
Cable: Casmel

Cascade (Africa) Pty. Ltd.
P.O. Box 625, Isando 1600
60A Steel Road,
Sparton, Kempton Park
South Africa
Tel: 974-5611/2/3/4/5
Telex: 4-29718 S.A.

