



Parts Manual

Model 45G Rotator

Catalog Number 45G-RRB-20A R3

cascade®
corporation

For Technical Assistance call: 800-227-2233, Fax: 888-329-8207

To Order Parts call: 888-227-2233, Fax: 888-329-0234

OR

Write: Cascade Corporation, P.O. Box 20187, Portland, OR 97220

Internet: www.cascorp.com

Safety Decals



RR0026.eps

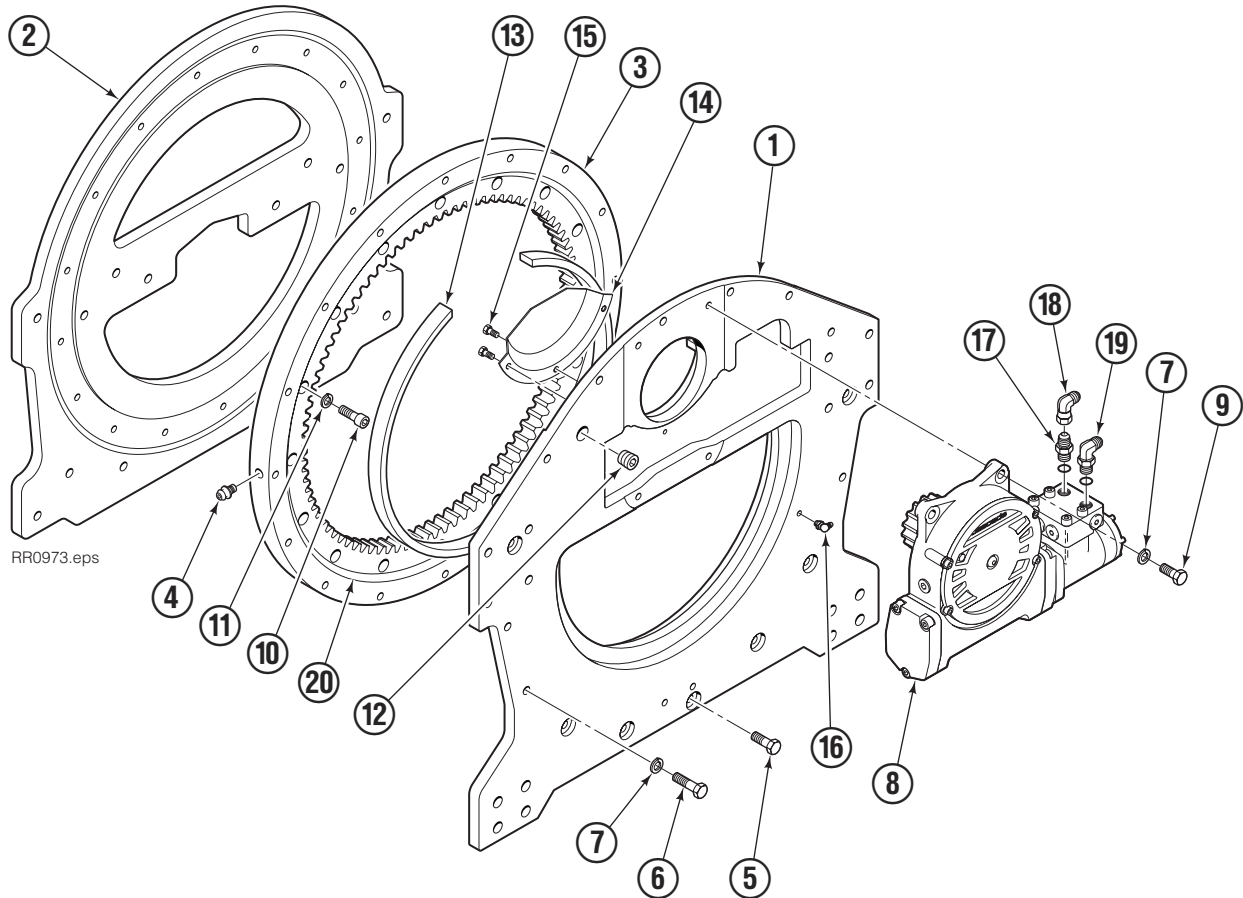
G Rotator			
REF	QTY	PART NO.	DESCRIPTION
1	1	679150	No Step Decal

Publications



G Rotator	
6073002	Installation Instructions
672714	Operator Guide
6073955	Service Manual
679929	Tool Catalog
673964	Literature Index Order Form

Base Unit Group



RR0973.eps

45G

REF	QTY	PART NO.	DESCRIPTION	REF	QTY	PART NO.	DESCRIPTION
		6055356	Base Unit Group	11	16	678991	● Lockwasher, M12
1	1	6051999	Baseplate	12	1	6605	Plug
2	1	6055313	Faceplate	13	1	6080266	□ Seal
3	1	775434	Bearing Assembly	14	1	6077615	□ Cover Plate
4	1	7401	Grease Fitting	15	3	767961	□ Capscrew, M8 x 16
5	7	212305	◆ Capscrew, M12 x 35	16	1	7406	Grease Fitting
6	9	206174	◆ Capscrew, M12 x 45	17	1	601377	▲ Fitting, 8-8
7	13	683822	◆ Lockwasher, M12	18	1	605761	▲ Fitting, 8-8
8	1	368073	Drive Group ■	19	1	601250	▲ Fitting, 8-8
9	4	763021	Capscrew, M12 x 30	20	2	681344	Seal
10	16	769572	● Capscrew, M12 x 35				

◆ Included in Baseplate Service Kit 6059344.

■ See Drive Group page for parts breakdown.

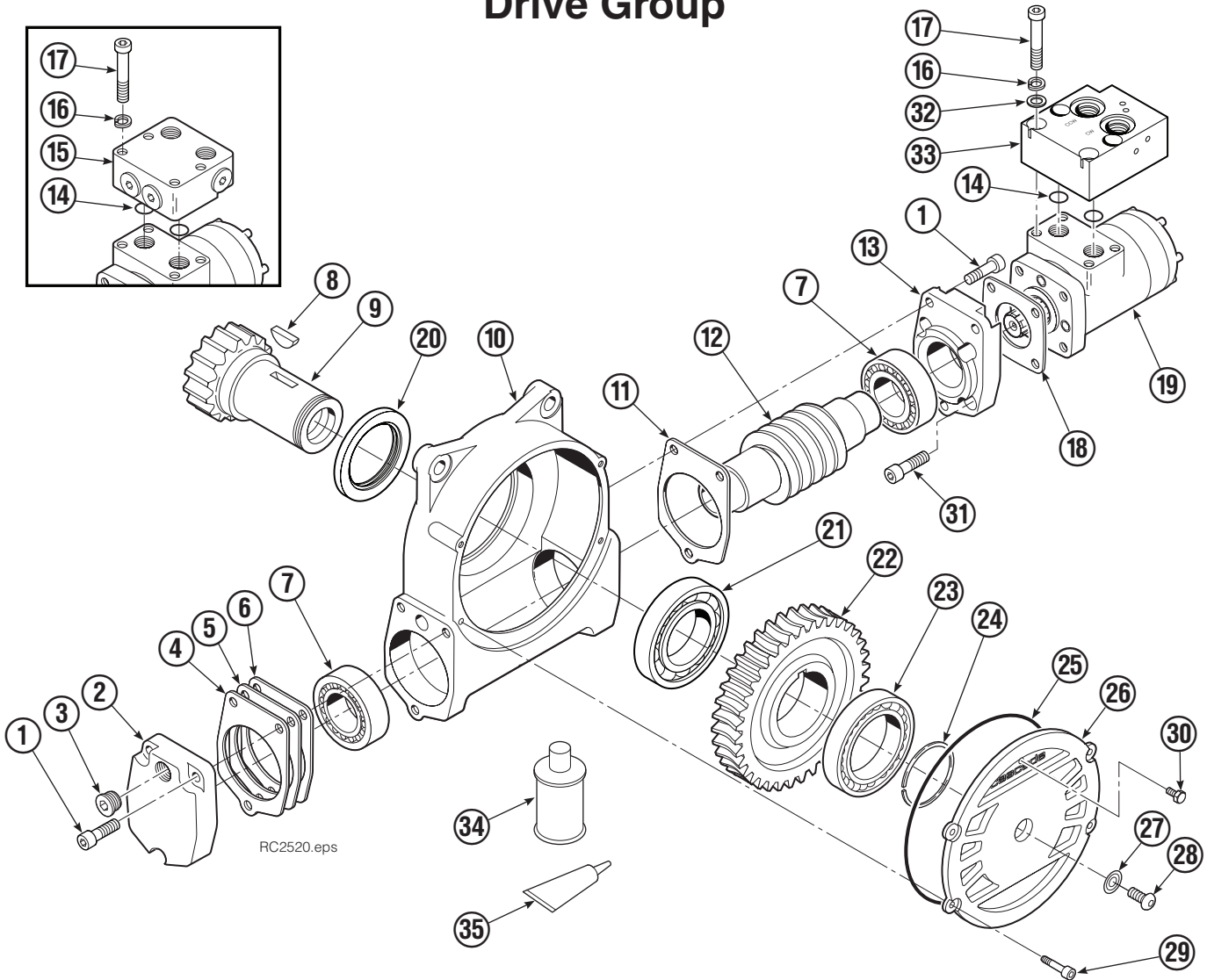
Reference: Common Parts 6052002, Fastener Kit 6059211.

● Included in Faceplate Service Kit 6059351.

□ Included in Seal Service Kit 6083998.

▲ Included in Fitting Group 212367.

Drive Group



REF	QTY	PART NO.	DESCRIPTION	REF	QTY	PART NO.	DESCRIPTION
		368073	Drive Group with 2.2 c.i. Motor	19	1	206406	Drive Motor – 2.2 c.i. ■
1	6	769570	Capscrew, M12 x 25	20	1	3014870	Seal
2	1	676855	Cover	21	1	6033892	Bearing ★
3	1	604510	Fitting, 6	22	1	675609	Worm Gear
4	●	670574	Shim – .010" (brown)	23	1	670581	Bearing
5	●	671757	Shim – .015" (pink)	24	1	7214	Snap Ring
6	●	671758	Shim – .020" (yellow)	25	1	643423	O-Ring
7	2	670579	Bearing	26	1	775552	Cover
8	1	670582	Key	27	1	783609	Seal
9	1	670506	Pinion	28	1	783608	Capscrew, M12 x 16
10	1	775551	Housing	29	4	200882	Capscrew, M8 x 20
11	1	686465	Gasket	30	1	644010	Relief Fitting
12	1	675608	Worm	31	4	4468	Capscrew, 3/8 x .75
13	1	775553	Adapter	32	4	221494	Washer, M8
14	2	2705	O-Ring	33	1	6063316	Check Valve ◆
15	1	670549	Check Valve ◆	34	1	656300	Gear Box Lube – 48 oz.
16	4	6444	Lockwasher	35	1	668184	Sealant
17	4	607059	Capscrew, 5/16 x 1.75			670578	Shim Service Kit (items 4-6,11,25,35)
18	1	670575	Gasket			212919	Motor Kit–2.2 (items 11,14,18,19,35)

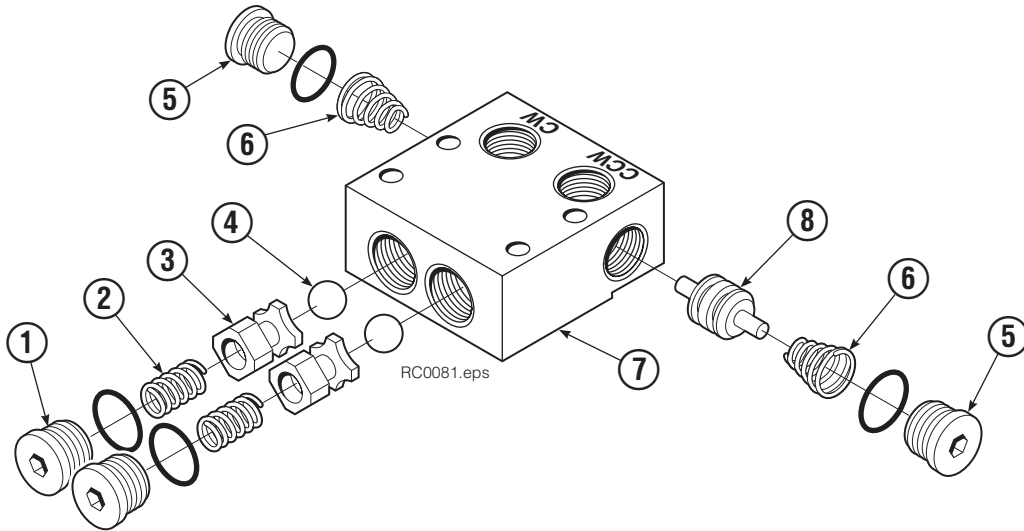
● Quantity as required.

◆ See Valve page for parts breakdown.

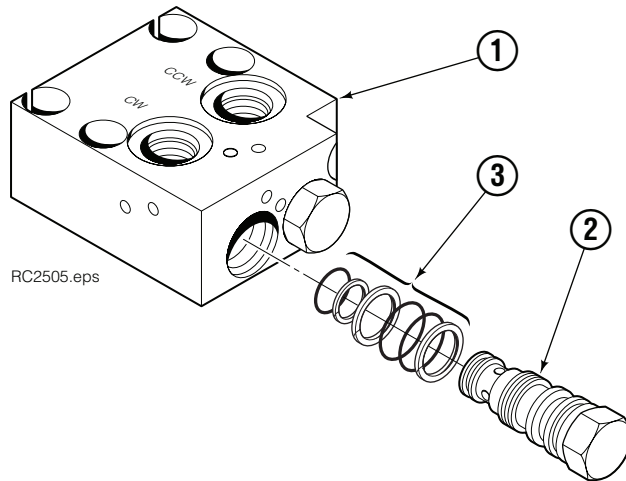
■ See Drive Motor page for parts breakdown.

★ For service replacement use Bearing 670580.

Check Valve

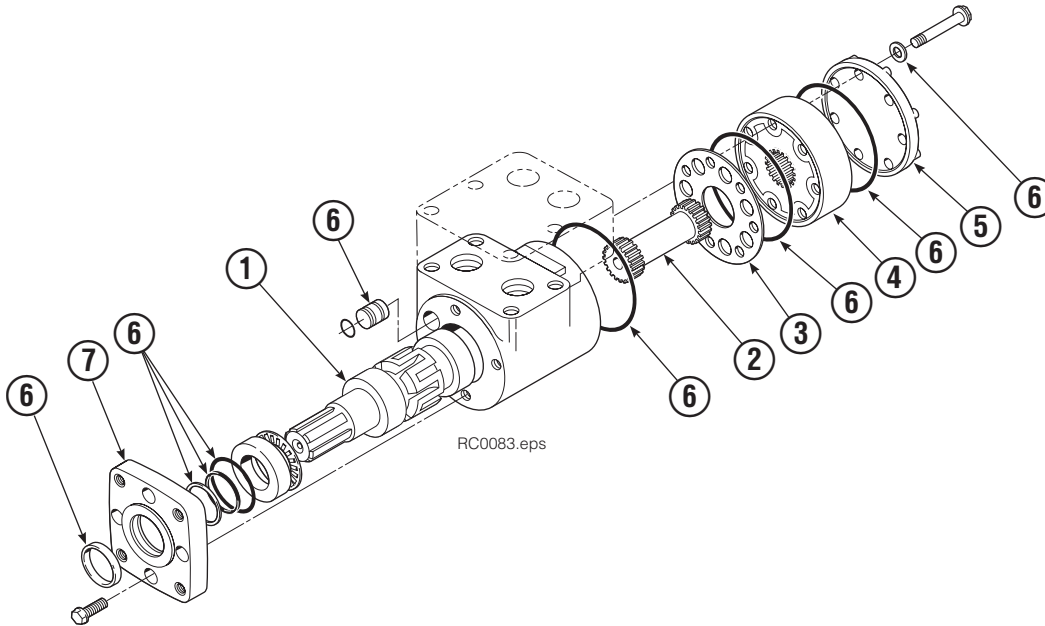


REF	QTY	PART NO.	DESCRIPTION
		670549	Check Valve Assembly
1	2	609453	Fitting, 10
2	2	670552	Spring
3	2	670551	Guide
4	2	7020	Ball
5	2	602580	Fitting, 8
6	2	673989	Spring
7	1	670550	Body
8	1	670553	Spool



REF	QTY	PART NO.	DESCRIPTION
		6063316	Check Valve Assembly
1	1	6063282	Valve Body
2	2	6038929	Check Valve – PO
3	2	667516	Service Kit

Drive Motor

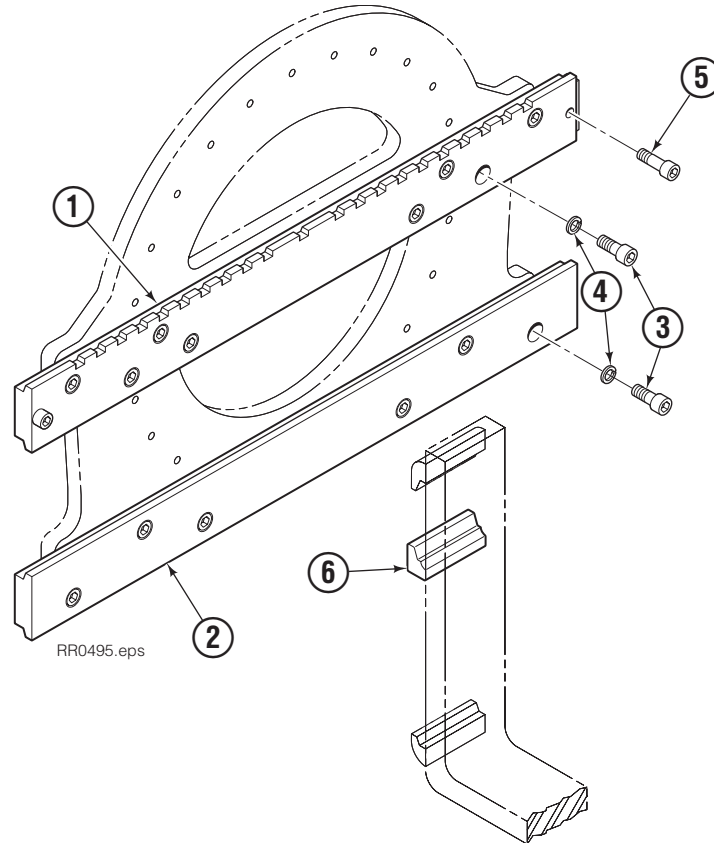


REF	QTY	PART NO.	DESCRIPTION
		206406	Drive Motor – 2.2 c.i.
1	1	675478	Shaft
2	1	675477	Drive
3	1	675479	Spacer Plate
4	1	675480	Gerotor Set (101-1768-007) ■
	1	685074	Gerotor Set (101-1768-009) ■
5	1	675482	End Cap
6	1	206405	Service Kit ●
7	1	685089	Flange (101-1768-007) ■
	1	685090	Flange (101-1768-009) ■

Cascade provides service replacement parts for the listed parts only. Due to cost, if other parts need replacement, the complete drive motor should be replaced.

- See Nameplate under valve for correct part number of Gerotor Set and Flange.
- Compatible with water glycol based hydraulic fluids.

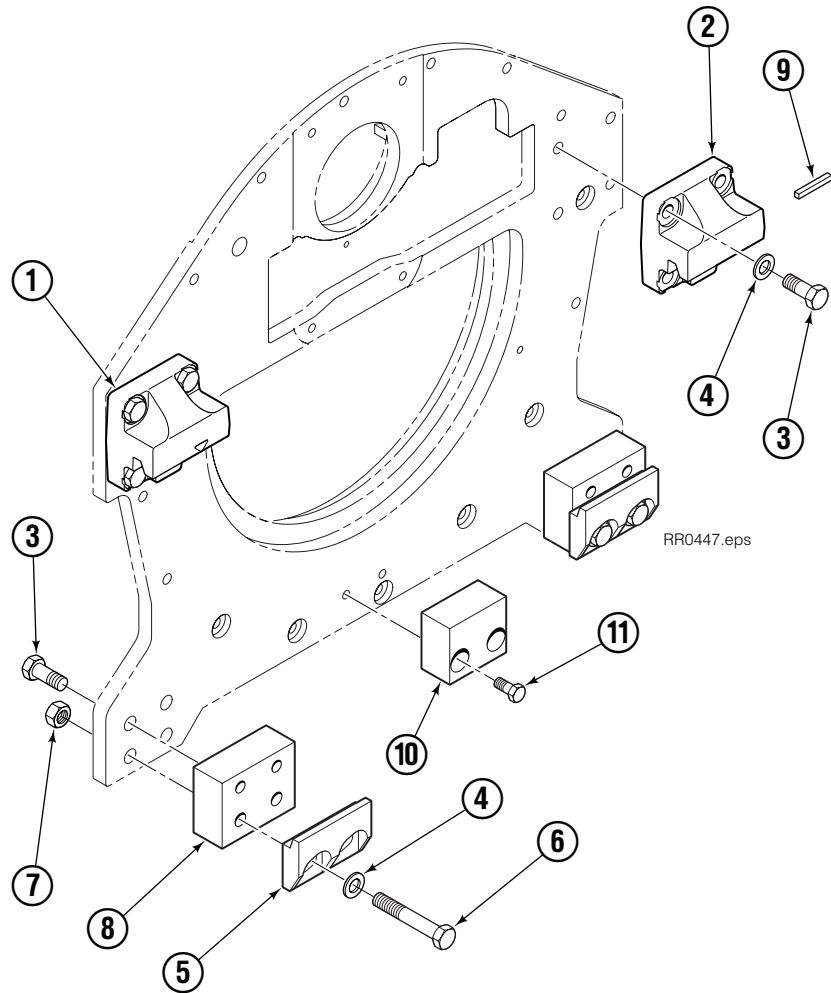
Fork Bar Group



45G			
REF	QTY	PART NO.	DESCRIPTION
		6063249	Fork Bar Group
1	1	6062887	Upper Bar
2	1	6062888	Lower Bar
3	14	769574	Capscrew, M16 x 35
4	14	678992	Lockwasher, M16
5	2	775443	Capscrew, M16 x 25
6	2	689279	Middle Hook ◆

◆ Required when using customer-supplied forks.

Bolt-On Mounting Group



Class II, 0°			
REF	QTY	PART NO.	DESCRIPTION
		6051543	Mounting Group
1	1	670523	Upper Hook – LH
2	1	670524	Upper Hook – RH
3	12	766154	Capscrew, M16 x 40
4	12	217637	Washer, M16
5	2	675968	Lower Hook
6	4	765612	Capscrew, M16 x 100
7	4	781534	Nut, M16
8	2	781400	Spacer
9	1	669344	Stop Block Kit
10	1	680683	Center Spacer
11	2	767810	Capscrew, M12 x 25

Do you have questions you need answered right now?

Call your nearest Cascade Parts Department.

Visit us online at www.cascorp.com

AMERICAS

**Cascade Corporation
Parts Sales**

2501 Sheridan Ave.
Springfield, OH 45505
Tel: 888-CASCADE (227-2233)
Fax: 888-329-0234

Cascade Canada Inc.

5570 Timberlea Blvd.
Mississauga, Ontario
Canada L4W-4M6
Tel: 905-629-7777
Fax: 905-629-7785

Cascade do Brasil

Rua João Guerra, 134
Macuco, Santos - SP
Brasil 11015-130
Tel: 55-13-2105-8800
Fax: 55-13-2105-8899

EUROPE-AFRICA

**Cascade Italia S.R.L.
European Headquarters**

Via Dell'Artigianato 1
37030 Vago di Lavagno (VR)
Italy
Tel: 39-045-8989111
Fax: 39-045-8989160

Cascade (Africa) Pty. Ltd.

PO Box 625, Isando 1600
60A Steel Road
Sparton, Kempton Park
South Africa
Tel: 27-11-975-9240
Fax: 27-11-394-1147

ASIA-PACIFIC

Cascade Japan Ltd.

2-23, 2-Chome,
Kukuchi Nishimachi
Amagasaki, Hyogo
Japan, 661-0978
Tel: 81-6-6420-9771
Fax: 81-6-6420-9777

Cascade Korea

121B 9L Namdong Ind.
Complex, 691-8 Gojan-Dong
Namdong-Ku
Inchon, Korea
Tel: +82-32-821-2051
Fax: +82-32-821-2055

Cascade-Xiamen

No. 668 Yangguang Rd.
Xinyang Industrial Zone
Haicang, Xiamen City
Fujian Province
P.R. China 361026
Tel: 86-592-651-2500
Fax: 86-592-651-2571

**Cascade India Material
Handling Private Limited**

No 34, Global Trade Centre
1/1 Rambaugh Colony
Lal Bahadur Shastri Road,
Navi Peth, Pune 411 030
(Maharashtra) India
Phone: +91 020 2432 5490
Fax: +91 020 2433 0881

Cascade Australia Pty. Ltd.

1445 Ipswich Road
Rocklea, QLD 4107
Australia
Tel: 1-800-227-223
Fax: +61 7 3373-7333

Cascade New Zealand

15 Ra Ora Drive
East Tamaki, Auckland
New Zealand
Tel: +64-9-273-9136
Fax: +64-9-273-9137

**Sunstream Industries
Pte. Ltd.**

18 Tuas South Street 5
Singapore 637796
Tel: +65-6795-7555
Fax: +65-6863-1368

