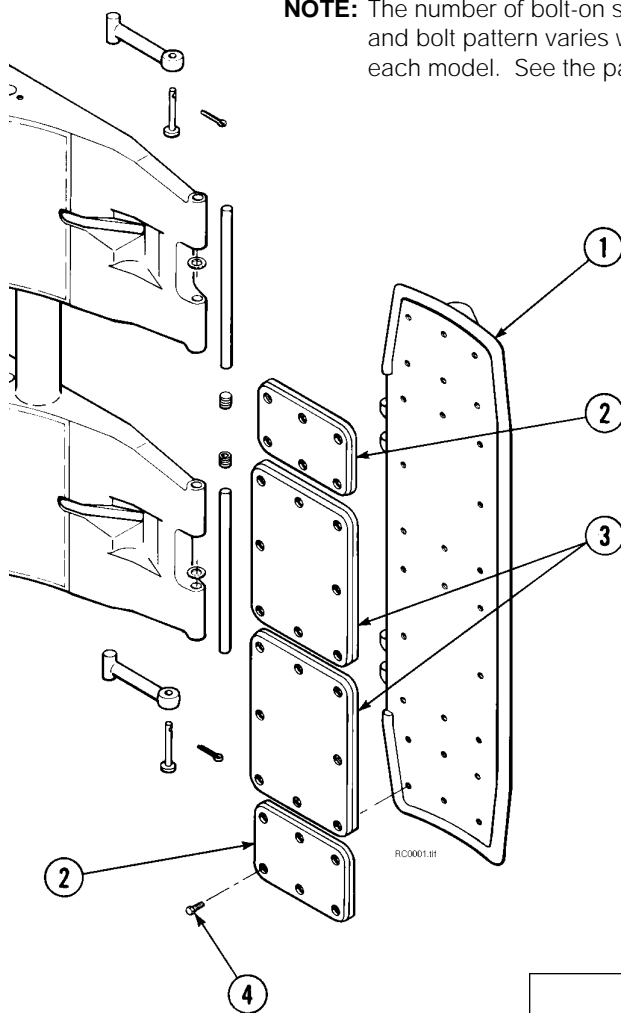




Parts List

F-Series Paper Roll Clamp Bolt-on Contact Pad Assemblies



NOTE: The number of bolt-on sections and bolt pattern varies with each model. See the parts list.

Polyurethane				
REF	QTY	45F		DESCRIPTION
		9 X 33 in.		
		PART NO.		
		363638		Contact Pad Assembly (Ref.)
1	1	360134		Cast Pad-Drilled
3	2	363639		Contact Pad
4	24	201263		Capscrews

Black Rubber					
REF	QTY	45F		60F	DESCRIPTION
		9 X 33 in.			
		PART NO.		PART NO.	
		345119		349106	Contact Pad Assembly (Ref.)
1	1	345120		349156	Cast Pad-Drilled
2	2	342834		—	Contact Pad
3	2	342835		349157	Contact Pad
4	24	—		201263	Capscrews
4	28	630475		—	Capscrews

White Rubber							
REF	QTY	45F		60F		77F	DESCRIPTION
		9 X 33 in.		9.5 X 38 in.			
		PART NO.		PART NO.	PART NO.		
		360133		363176	359563		Contact Pad Assembly (Ref.)
1	1	360134		349156	359564		Cast Pad-Drilled
3	2	360135		354115	359565		Contact Pad
4	24	201263		201263	201263		Capscrews

cascade®

For Technical Assistance . . .

Call: 1-800-CASCADE or 503-669-6300

OR

Write: Cascade Corp., P.O. Box 20187, Portland, OR 97220

To Order Parts . . .

Call: 513-322-1199 FAX: 513-325-9270

OR

Write: Cascade Corp., 2501 Sheridan Ave., Springfield, OH 45505