



# Parts Manual

---

Model \_\_\_\_\_ **Load Stabilizer**

Serial Number \_\_\_\_\_ **35E-IB-081**

---

**cascade**<sup>®</sup>

For Technical Assistance call: 800-227-2233, Fax: 888-329-8207

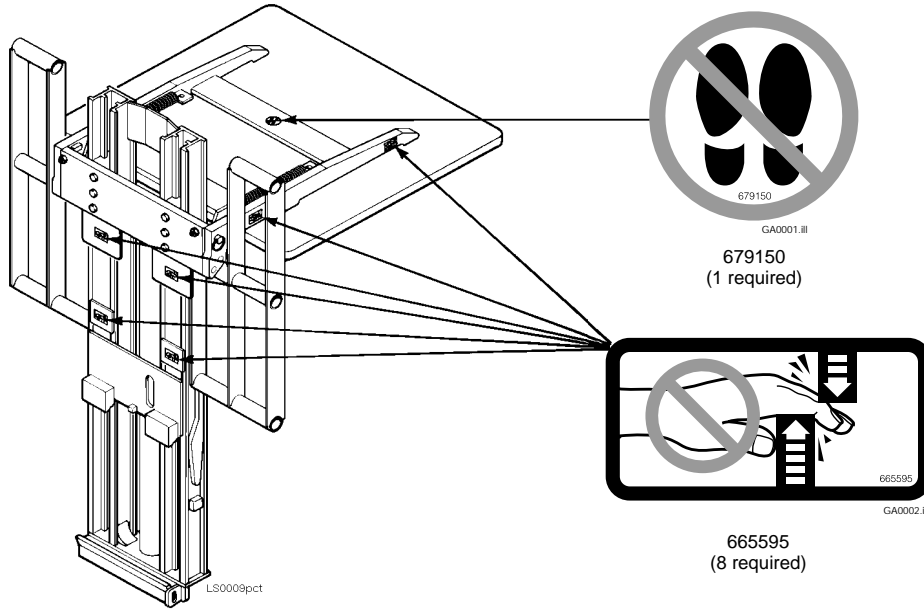
To Order Parts call: 888-227-2233, Fax: 888-329-0234

OR

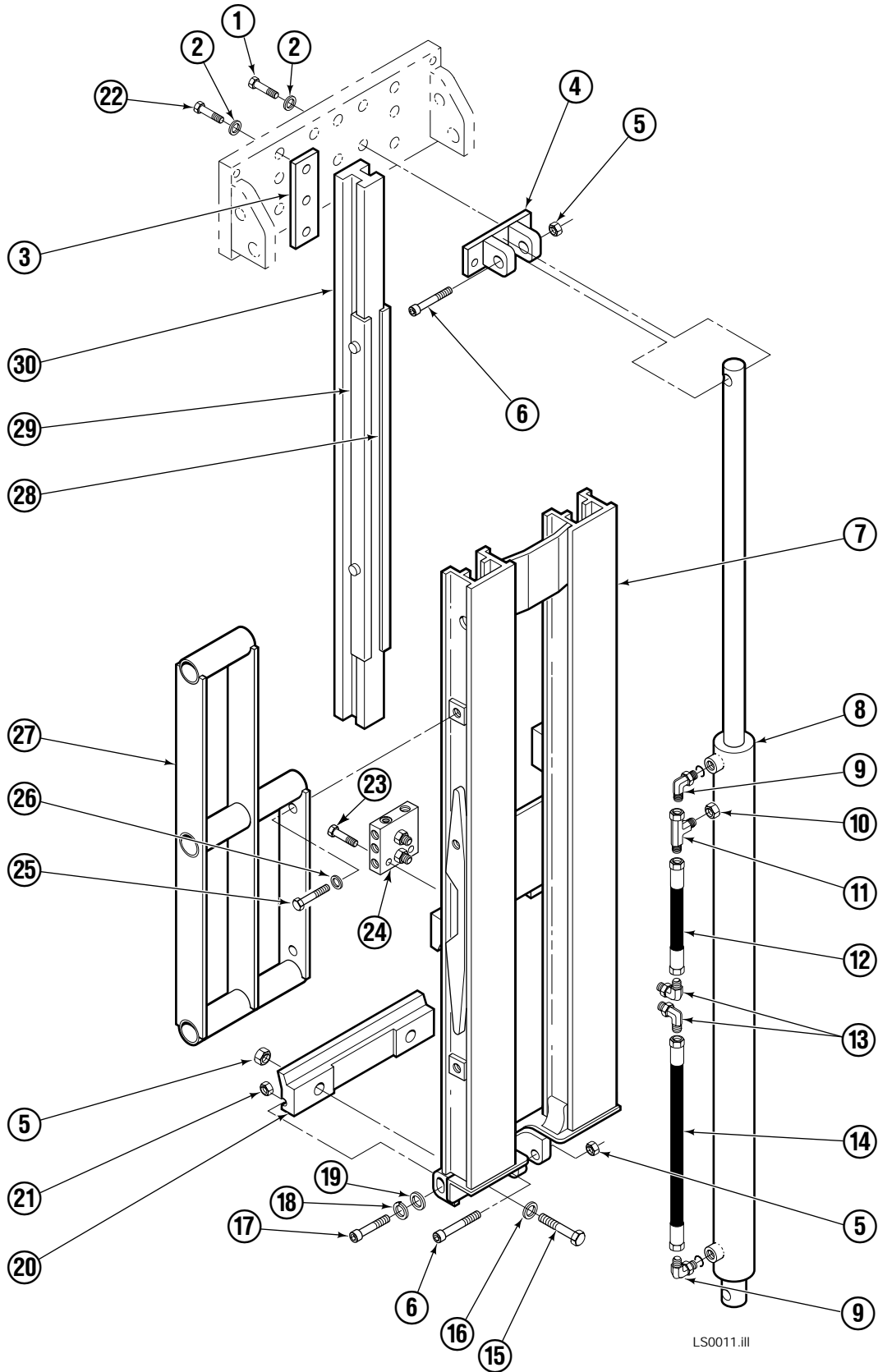
Write: Cascade Corporation, P.O. Box 20187, Portland, OR 97220

# Decals

## Load Stabilizer



# Frame Group



LS0011.iii

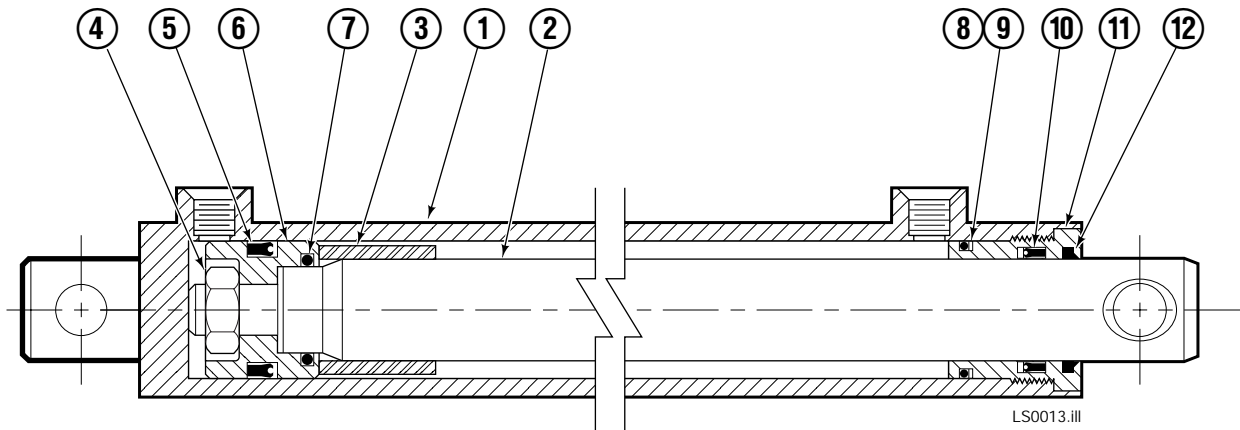
# Frame Group

35E			
REF	QTY	PART NO.	DESCRIPTION
1	3	206478	Capscrew, M10x1.5x30-10,9
2	9	201570	Washer
3	2	201956	Shim
4	1	201976	Cylinder Clevis
5	4	678990	Nut
6	2	211250	Capscrew
7	1	206501	Frame – 45"-84" Opening Range
8	1	◆ 582490	Cylinder – 42"-84" Opening Range
9	2	601676	Fitting, 6-6
10	1	2645	Fitting, 6
11	1	611329	Fitting, 6-6
12	1	675058	Hose – 42"-84" Opening Range
13	2	2680	Fitting, 6-6
14	1	206880	Hose
15	2	689997	Capscrew, M16x2x45-8.8
16	2	667225	Washer
17	1	201568	Capscrew
18	1	680253	Lockwasher, M8
19	1	205349	Washer
20	1	202049	Lower Hook
21	1	767414	Nut, M8
22	8	209684	Capscrew, M10x1.5x55-10,9
23	2	768795	Capscrew
24	1	■ 202047	Valve Assembly
25	4	766154	Capscrew
26	4	211179	Washer
27	2	202328	Backrest – 45"-84" Opening Range
28	2	668910	Bearing
29	2	668911	Bearing
30	2	202055	Arm Bar – 42"-84" Opening Range

◆ See Cylinder page for parts breakdown.

■ See Valve page for parts breakdown.

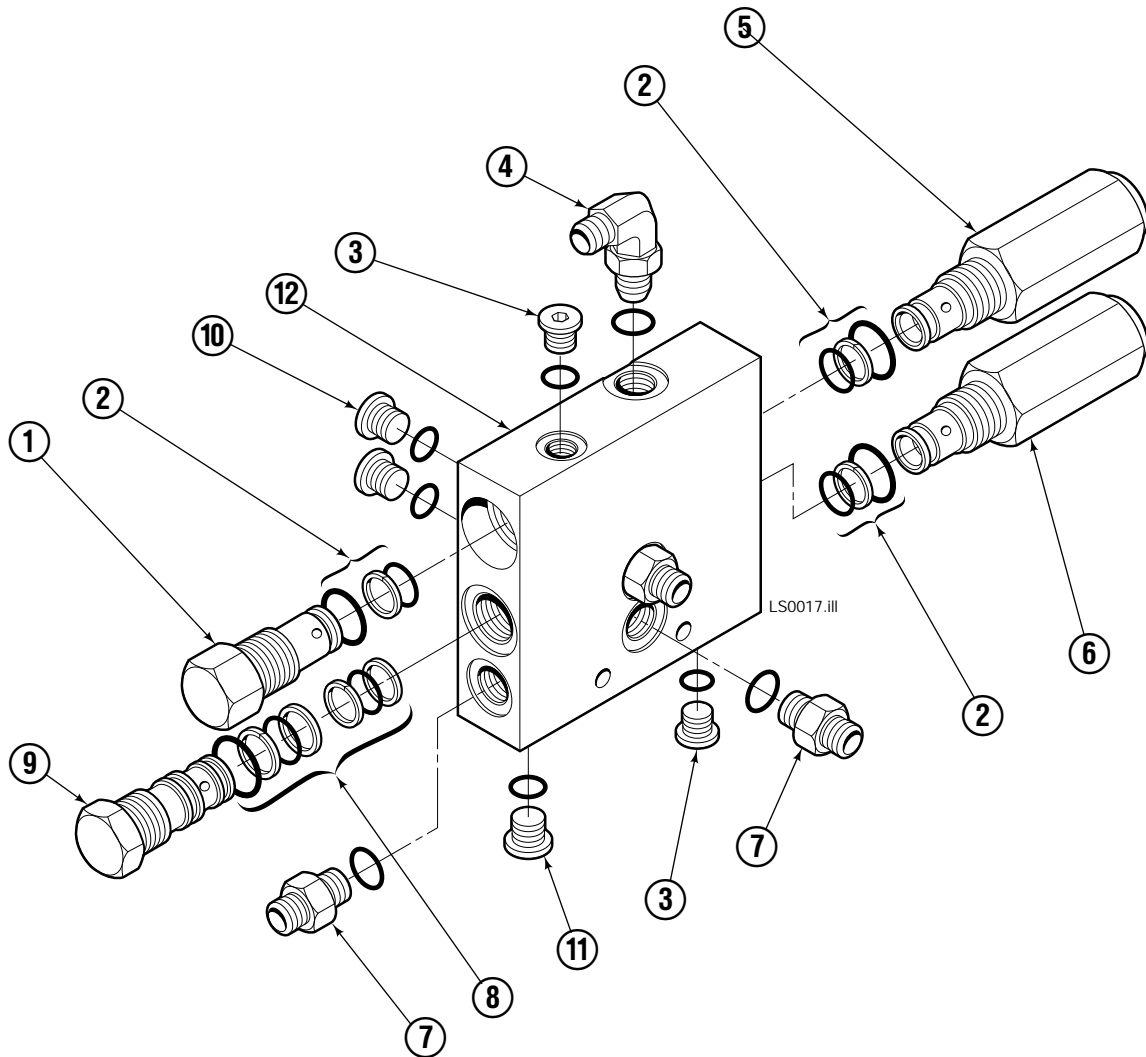
# Load Stabilizer Cylinder



<b>35E</b>			
REF	QTY	PART NO.	DESCRIPTION
		582490	Cylinder Assembly
1	1	562298	Shell
2	1	562299	Rod
3	1	-	Spacer
4	1	667623	Nut
5	1	■ 557598	Piston Seal
6	1	559702	Piston
7	1	■ 2716	O-Ring
8	1	■ 2722	O-Ring
9	1	■ 615126	Back-Up Ring
10	1	■ 663728	Rod Seal
11	1	562300	Retainer
12	1	■ 626468	Wiper
		562447	Service Kit

■ Included in Service Kit 562447.

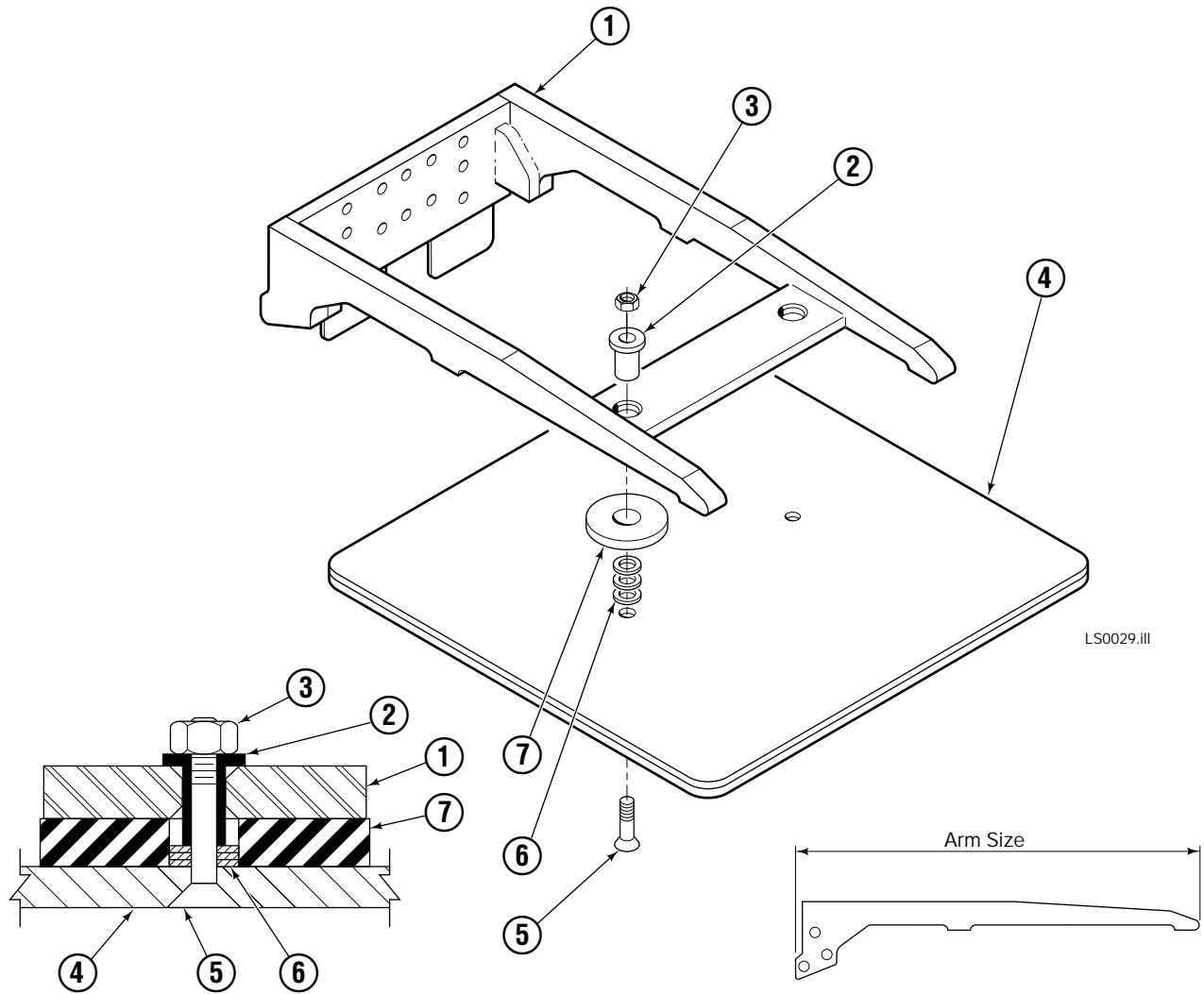
# Valve Assembly



## 35E

REF	QTY	PART NO.	DESCRIPTION
		202047	Valve Assembly
1	1	682168	Valve Cartridge
2	3	682170	Service Kit
3	2	663694	Plug, 3
4	1	601676	Fitting, 6-6
5	1	201566	Valve Cartridge - Adjustable Relief
6	1	201565	Valve Cartridge - Fixed Relief
7	3	604511	Fitting, 6-6
8	1	204424	Service Kit
9	1	201564	Valve Cartridge - P. O. Check
10	2	604510	Plug, 6
11	1	609234	Plug, 4
12	1	202125	Valve Body

# Arm Group



35E			
REF	QTY	PART NO.	DESCRIPTION
1	1	202061	Arm
2	2	205976	Sleeve ▲
3	2	205979	Nut, M12 ▲
4	1	3011161	Contact Pad
5	2	768709	Capscrew ▲
6	6	202251	Washer, M12 ▲
7	2	202145	Washer, Rubber ▲
		205980	Service Kit

▲ Included in Service Kit 205980.

Reference: Common Parts: 201962.

**Do you have questions you need answered right now?** Call your nearest Cascade Parts Department.

**Cascade Corporation**  
2501 Sheridan Avenue  
Springfield, OH 45505  
Tel: 888-CASCADE (227-2233)  
FAX: 888-329-0234

**Cascade Canada Inc.**  
5570 Timberlea Blvd.  
Mississauga, Ontario  
Canada L4W-4M6  
Tel: 905-629-7777  
FAX: 905-629-7785

**Cascade GmbH**  
D-41199 Monchengladbach  
Klosterhofweg 52  
Germany  
Tel: 21-66-602091  
FAX: 21-66-680947

**Cascade Finland**  
01370 Vantas  
Finland  
Tel: 358-0-836-1925  
FAX: 358-0-836-1935

**Cascade N.V.  
European Headquarters**  
P.O. Box 3009  
1300 El Almere  
Damsluisweg 56  
1332 ED Almere  
The Netherlands  
Tel: 31-36-5492911  
FAX: 31-36-5492964

**Cascade N.V.  
Benelux Sales and Service**  
P.O. Box 3009  
1300 El Almere  
Damsluisweg 56  
1332 ED Almere  
The Netherlands  
Tel: 31-36-5492950  
FAX: 31-36-5492974

**Cascade (UK) Ltd.**  
15, Orgreave Crescent  
Dore House Industrial Estate  
Handsworth  
Sheffield S13 9NQ  
England  
Tel: 742-697524  
FAX: 742-695121

**Cascade Scandinavia  
Hydraulik A.B.**  
Muskötgatan 19, E8-9  
S25466 Helsingborg  
Sweden  
Tel: 42-151135  
FAX: 42-152997

**Cascade Norway**  
Østerliveien 37A  
1153 Oslo  
Norway  
Tel: 47-22-743160  
FAX: 47-22-743157

**Cascade France S.A.R.L.**  
11, Rue Jean Charcot  
Zone Industrielle Sud or  
B.P. 22  
91421 Morangis Cedex  
France  
Tel: 1- 64547501  
FAX: 1-9790584

**Cascade Hispania S.A.**  
Avenida De La Fabregada, 7  
Hospitalet De Llobregat  
Barcelona  
Spain  
Tel: 3-335-5158  
FAX: 3-335-4756

**Cascade Japan Ltd.**  
5-5-41,  
Torikai Kami  
Settsu, Osaka  
Japan, 566  
Tel: 81-726-53-3490  
FAX: 81-726-53-3497

**Cascade Korea**  
Room 508, Pum Yang Bldg.  
750-14, Bang Bac-Dong  
Se-Cho Ku, Seoul  
Korea  
Tel: 2599-7131 ext. 512  
FAX: 2533-8089

**HYCO-Cascade Pty. Ltd.**  
87 Antimony Street  
Carole Park,  
Brisbane 4300  
Australia  
Tel: 7-271-1966  
FAX: 7-271-3830

**HYCO-Cascade (NZ) Ltd.**  
15 Ra Ora Drive, East Tamaki  
P.O. Box 38-440  
Howick, Auckland  
New Zealand  
Tel: 9-273-9136  
FAX: 9-273-9137

**Cascade (Africa) Pty. Ltd.**  
P.O. Box 625, Isando 1600  
60A Steel Road  
Sparton, Kempton Park  
South Africa  
Tel: 975-9240  
FAX: 394-1147

**Cascade-Xiamen**  
Wanshan No. 1 Workshop  
Huli Road  
Xiamen 361006  
Fujian, PRC  
Tel: 592-562-4600  
FAX: 592-562-4671

**Cascade (Singapore)  
Trading Co.**  
Four Seasons Park  
Autumn Block - Apt. 1802  
12 Cascaden Walk  
Singapore  
Tel: 65-834-1935  
FAX: 65-834-1936

