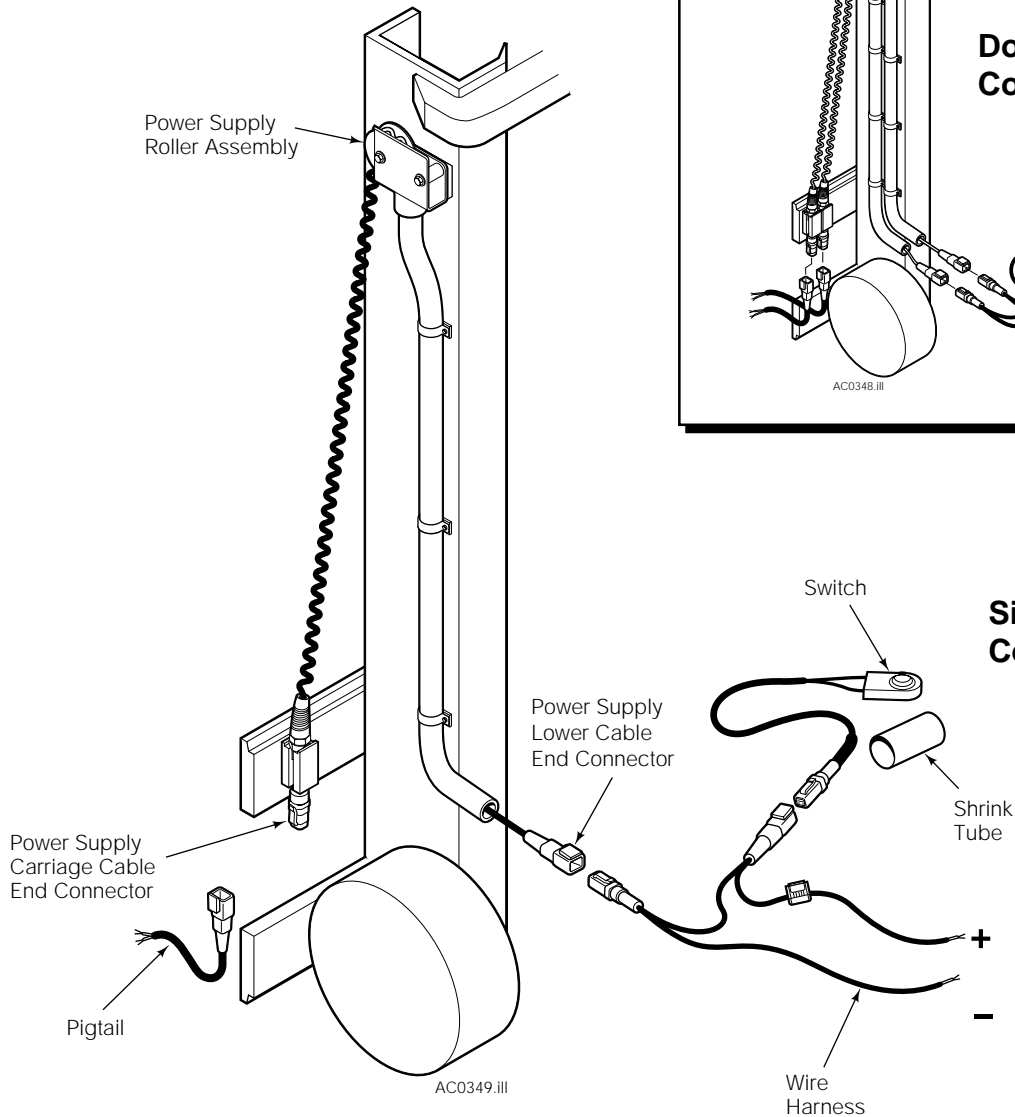




Installation Instructions

Operator Control Kits 6004136 – Single Function 6004137 – Double Function

This manual provides installation instructions for Cascade Operator Control Kits. The kits allow operator control of an attachment electrical function with an easy to install switch for the truck control handle and a fused wire harness. The kit integrates easily with a Power Supply Kit to get electricity over the mast.



Part No. 6004139

cascade®

For Technical Support . . .

Call: 1-800-227-2233

OR

Write: Cascade Corporation, P.O. Box 20187, Portland, OR 97294

To Order Parts . . .

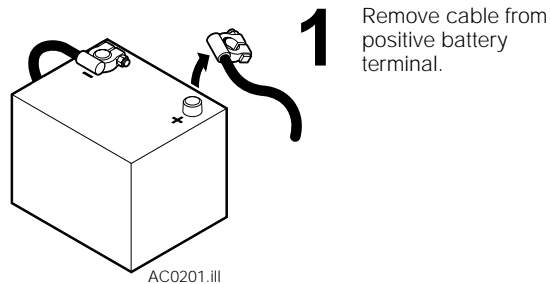
Call: 1-888-227-2233

OR

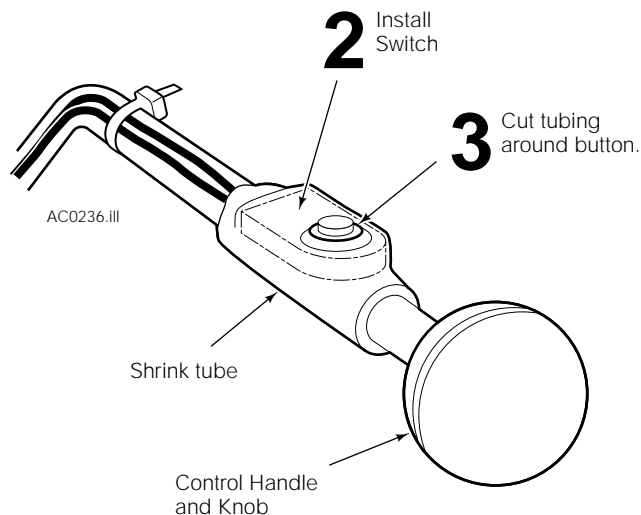
Write: Cascade Corporation, 2501 Sheridan Ave., Springfield, OH 45505

Kit Installation

- 1 Disconnect the cable from the positive battery terminal.



- 2 Install the switch to the control handle. Remove the control knob. Position the switch on the handle in a location for comfortable thumb or index finger operation. Place the heat shrink tubing over the handle and switch. Using a heat gun, heat the tubing to secure the switch to the handle. Reinstall the knob. Install cable ties as needed for the wires.

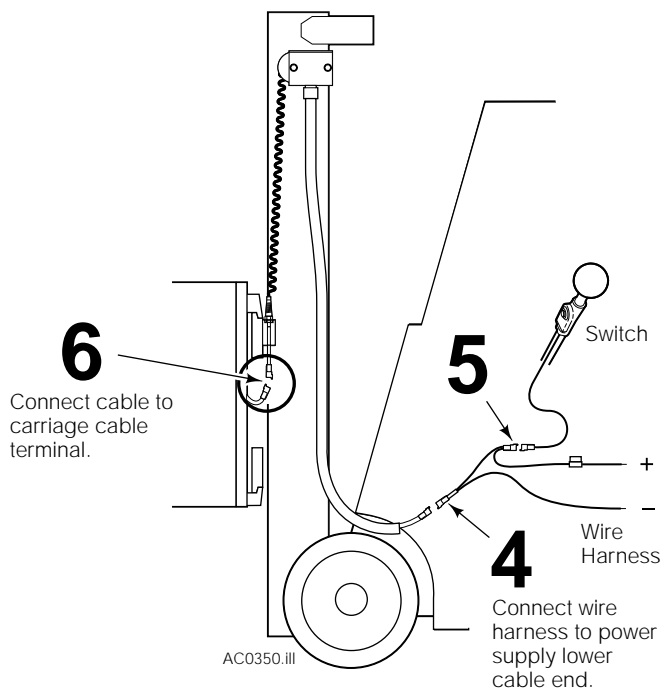


- 3 If it is difficult to feel or operate the switch button through the heat shrink tube, carefully cut a circle out of the tubing around the button.

- 4 Connect the wire harness to the power supply lower cable end connector and truck power as marked. Watch for pinch and wear points. Install cable ties as needed.

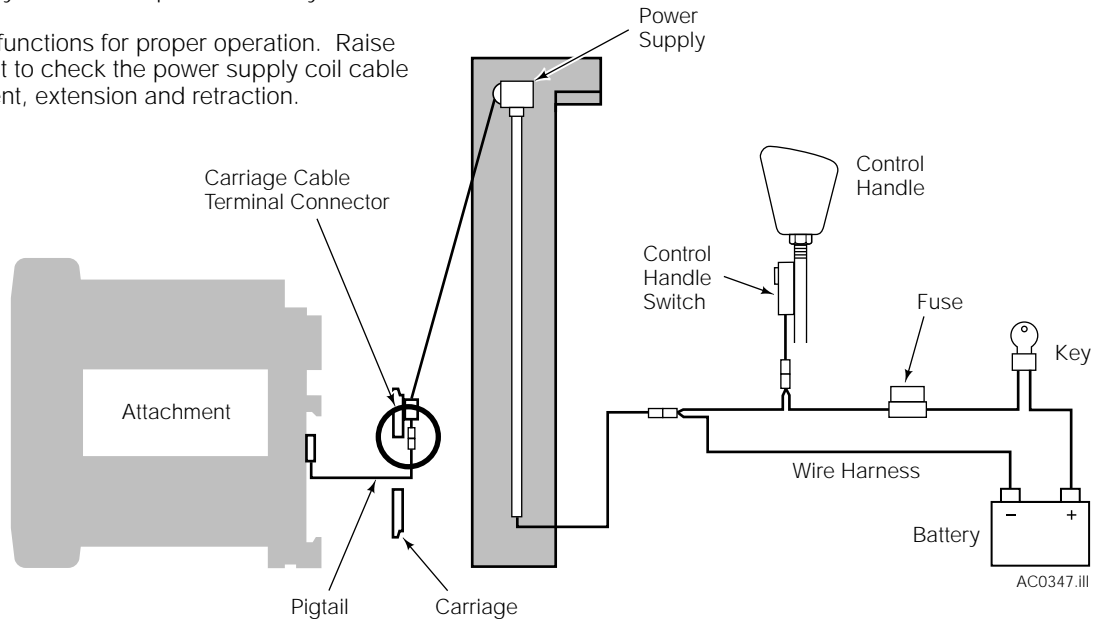
- 5 Connect the control handle switch connector to the wire harness connector. Watch for pinch and wear points. Install cable ties as needed.

- 6 Connect the attachment wires to the pigtail cable. Connect the pigtail cable to the carriage cable terminal connector. Watch for pinch and wear points. Install cable ties as needed.

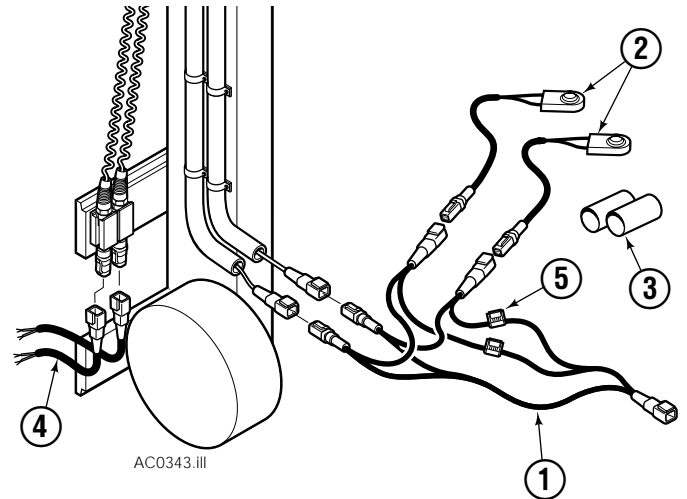
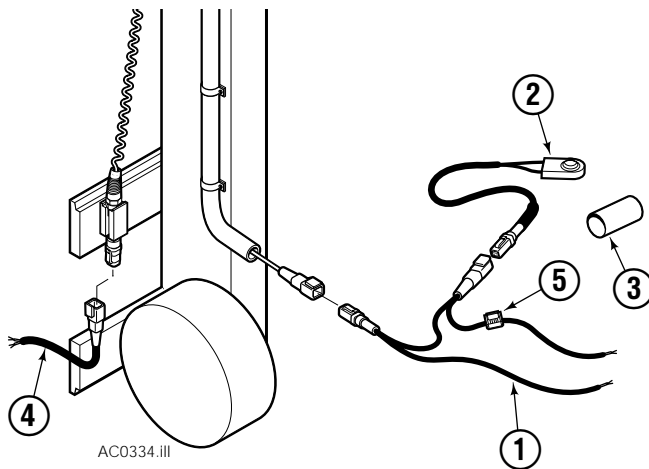


7 Connect the battery cable to the positive battery terminal.

8 Test the electrical functions for proper operation. Raise and lower the mast to check the power supply coil cable for proper alignment, extension and retraction.



Operator Control Kits



Single Function			
REF	QTY	PART NO.	DESCRIPTION
		6004136	Operator Control Kit
1	1	6001647	Wire Harness
2	1	6001637	Switch – Normally Open
3	1	6001641	Shrink Tube
4	1	224459	Pigtail

Double Function			
REF	QTY	PART NO.	DESCRIPTION
		6004137	Operator Control Kit
1	1	6001622	Wire Harness
2	2	6001637	Switch – Normally Open
3	2	6001641	Shrink Tube
4	2	224459	Pigtail

Do you have questions you need answered right now? Call your nearest Cascade Service Department.

**Cascade Corporation
U.S. Headquarters**
2201 NE 201st
Fairview, OR 97024-9718
Tel: 800-CASCADE (227-2233)
FAX: 888-329-8207

Cascade Canada Inc.
5570 Timberlea Blvd.
Mississauga, Ontario
Canada L4W-4M6
Tel: 905-629-7777
FAX: 905-629-7785

Cascade GmbH
D-41199 Monchengladbach
Klosterhofweg 52
Germany
Tel: 21-66-602091
FAX: 21-66-680947

Cascade Finland
01370 Vantas
Finland
Tel: 358-0-836-1925
FAX: 358-0-836-1935

**Cascade N.V.
European Headquarters**
P.O. Box 3009
1300 El Almere
Damsluisweg 56
1332 ED Almere
The Netherlands
Tel: 31-36-5492911
FAX: 31-36-5492964

**Cascade N.V.
Benelux Sales and Service**
P.O. Box 3009
1300 El Almere
Damsluisweg 56
1332 ED Almere
The Netherlands
Tel: 31-36-5492950
FAX: 31-36-5492974

Cascade (UK) Ltd.
15, Orgreave Crescent
Dore House Industrial Estate
Handsworth
Sheffield S13 9NQ
England
Tel: 742-697524
FAX: 742-695121

**Cascade Scandinavia
Hydraulik A.B.**
Muskötgatan 19, E8-9
S25466 Helsingborg
Sweden
Tel: 42-151135
FAX: 42-152997

Cascade Norway
Østerliveien 37A
1153 Oslo
Norway
Tel: 47-22-743160
FAX: 47-22-743157

Cascade France S.A.R.L.
11, Rue Jean Charcot
Zone Industrielle Sud or
B.P. 22
91421 Morangis Cedex
France
Tel: 1- 64547501
FAX: 1-9790584

Cascade Hispania S.A.
Avenida De La Fabregada, 7
Hospitalet De Llobregat
Barcelona
Spain
Tel: 3-335-5158
FAX: 3-335-4756

Cascade Japan Ltd.
5-5-41,
Torikai Kami
Settsu, Osaka
Japan, 566
Tel: 81-726-53-3490
FAX: 81-726-53-3497

Cascade Korea
Room 508, Pum Yang Bldg.
750-14, Bang Bac-Dong
Se-Cho Ku, Seoul
Korea
Tel: 2599-7131 ext. 512
FAX: 2533-8089

HYCO-Cascade Pty. Ltd.
87 Antimony Street
Carole Park,
Brisbane 4300
Australia
Tel: 7-271-1966
FAX: 7-271-3830

HYCO-Cascade (NZ) Ltd.
15 Ra Ora Drive, East Tamaki
P.O. Box 38-440
Howick, Auckland
New Zealand
Tel: 9-273-9136
FAX: 9-273-9137

Cascade (Africa) Pty. Ltd.
P.O. Box 625, Isando 1600
60A Steel Road
Sparton, Kempton Park
South Africa
Tel: 975-9240
FAX: 394-1147

Cascade-Xiamen
Wanshan No. 1 Workshop
Huli Road
Xiamen 361006
Fujian, PRC
Tel: 592-562-4600
FAX: 592-562-4671

**Cascade (Singapore)
Trading Co.**
Four Seasons Park
Autumn Block - Apt. 1802
12 Cascaden Walk
Singapore
Tel: 65-834-1935
FAX: 65-834-1936

