

PARTS MANUAL

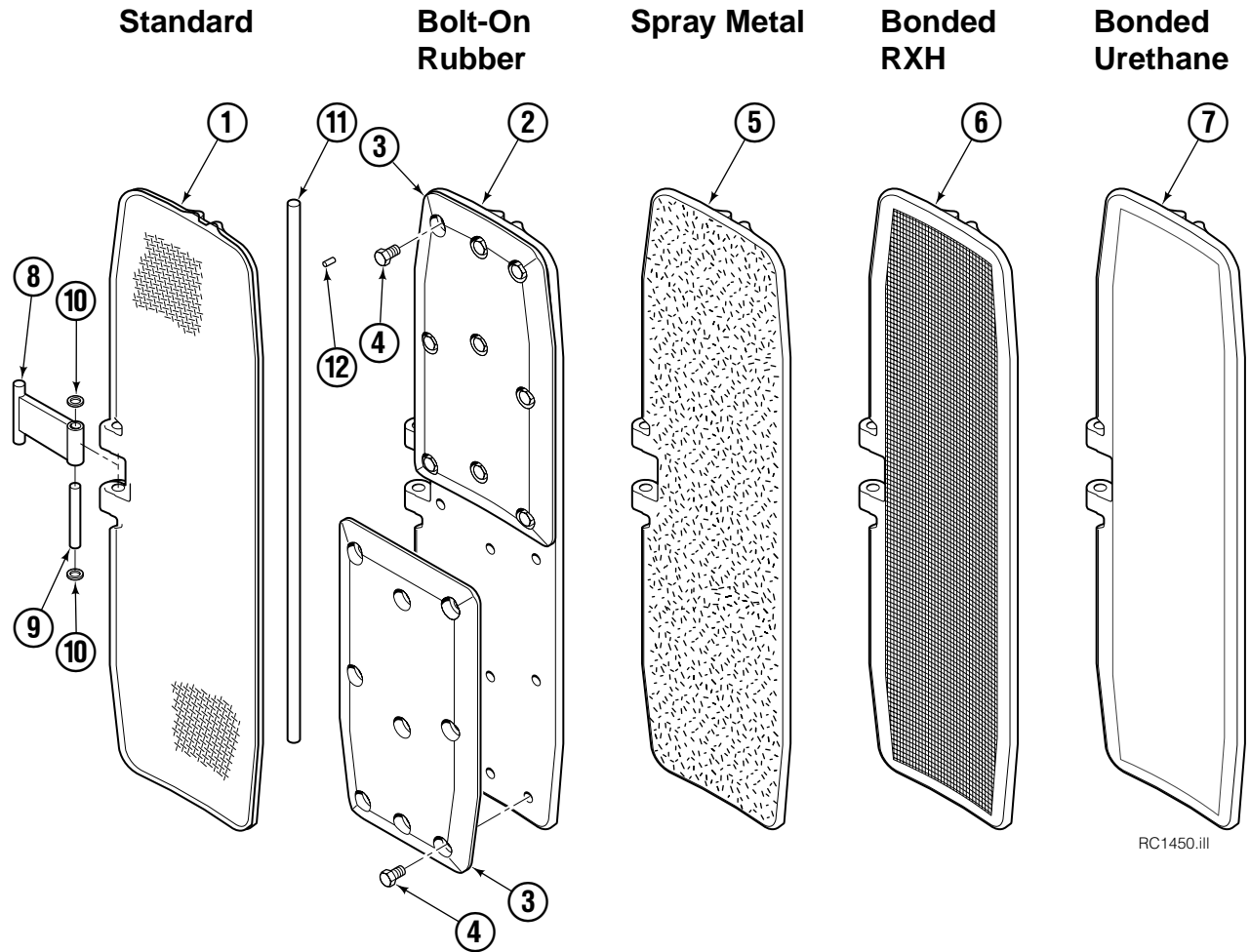
Paper Roll Clamp Standard Contact Pads

Manual Number 6031104-R0

**cascade[®]
corporation**

Cascade is a Registered Trademark of Cascade Corporation

Contact Pads



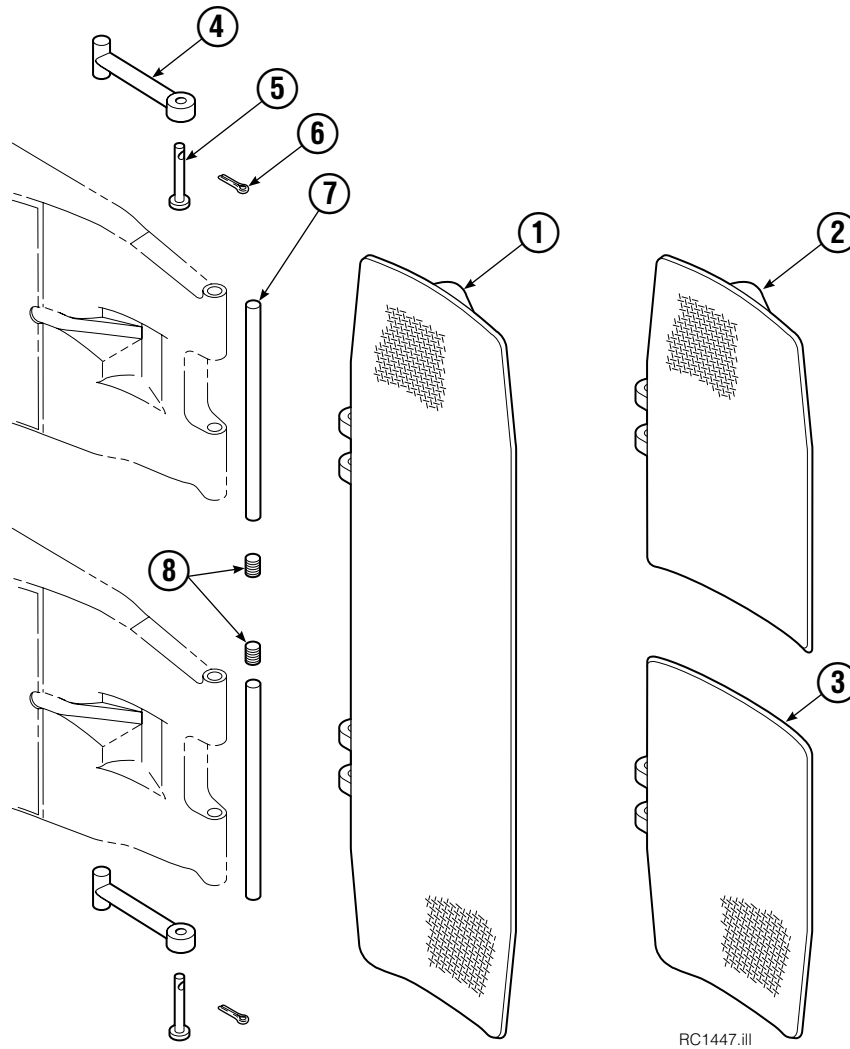
RC1450.ill

25F			
REF	QTY	PART NO.	DESCRIPTION
1	1	207430	Standard Contact Pad – Long Arm
	1	680031	Standard Contact Pad – Short Arm
2	1	360771	Bolt-On Contact Pad
3	2	360772	White Rubber Pad
	2	6024918	Black Rubber Pad
4	18	201263	Capscrew, .312 x .50
5	1	6003644	Spray Metal Contact Pad
6	1	6021555	Bonded RXH Contact Pad
7	1	6029168	Bonded UDP Contact Pad

Common Parts

REF	QTY	PART NO.	DESCRIPTION	REF	QTY	PART NO.	DESCRIPTION
8	1	680033	Link	11	1	680032	Pin
9	1	679812	Pin	12	1	201732	Drive Pin
10	2	678988	Snap Ring				

Standard Contact Pad Groups



45F/60F				
REF	QTY	Short Arm PART NO.	Long Arm PART NO.	DESCRIPTION
1	1	674703	207421	45F Contact Pad Group ◆
		674702	207420	Standard Contact Pad
1	1	675924	207403	60F Contact Pad Group ◆
		675992	206622	Standard Contact Pad
		—	363976	45F Contact Pad Group – Split ●
2	1	—	333044	Standard Split Pad – RH ▲
3	1	—	333027	Standard Split Pad – LH ▲
		—	375916	60F Contact Pad Group – Split ●
2	1	—	335122	Standard Split Pad – RH ▲
3	1	—	335121	Standard Split Pad – LH ▲

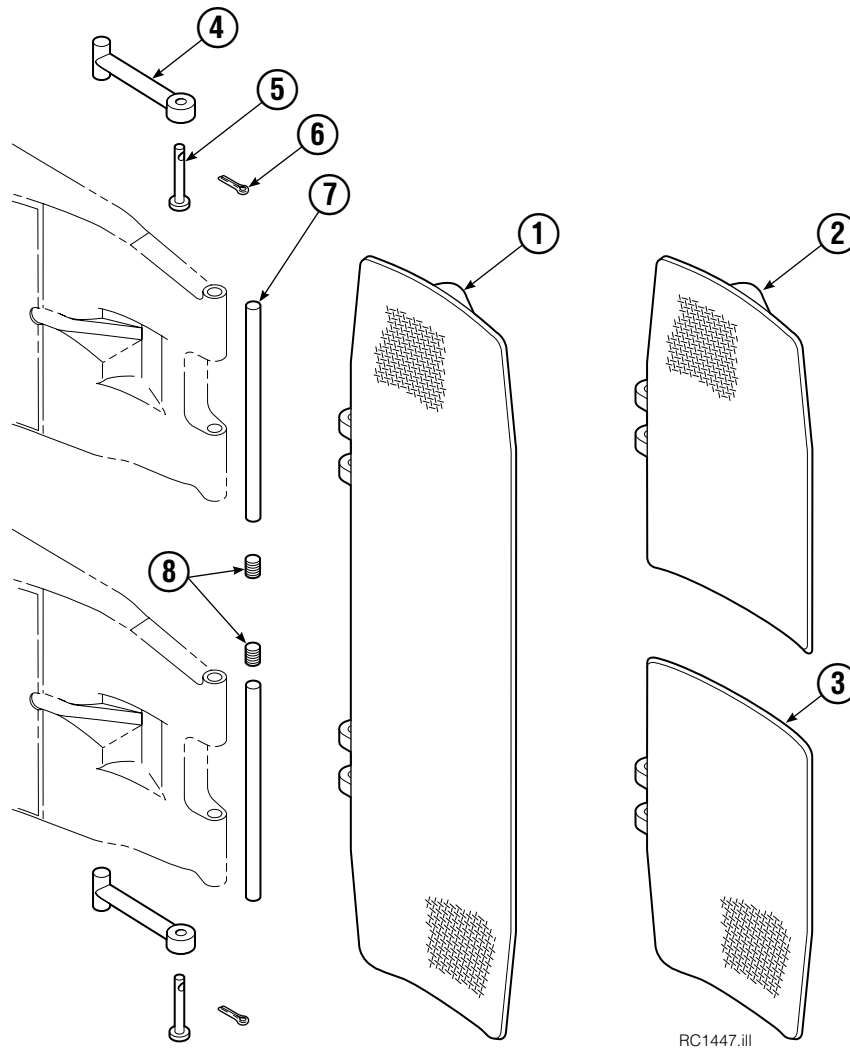
◆ Pad Group includes 1 & 4-8.

● Pad Group includes 2-8.

▲ Driver's view, clamp in horizontal position, Long Arm up.

REF	QTY	PART NO.	DESCRIPTION	REF	QTY	PART NO.	DESCRIPTION
4	2	674700	Link	7	2	674701	Pin
5	2	674265	Clevis Pin	8	2	604510	Plug
6	2	6525	Cotter Pin				

Standard Contact Pad Groups

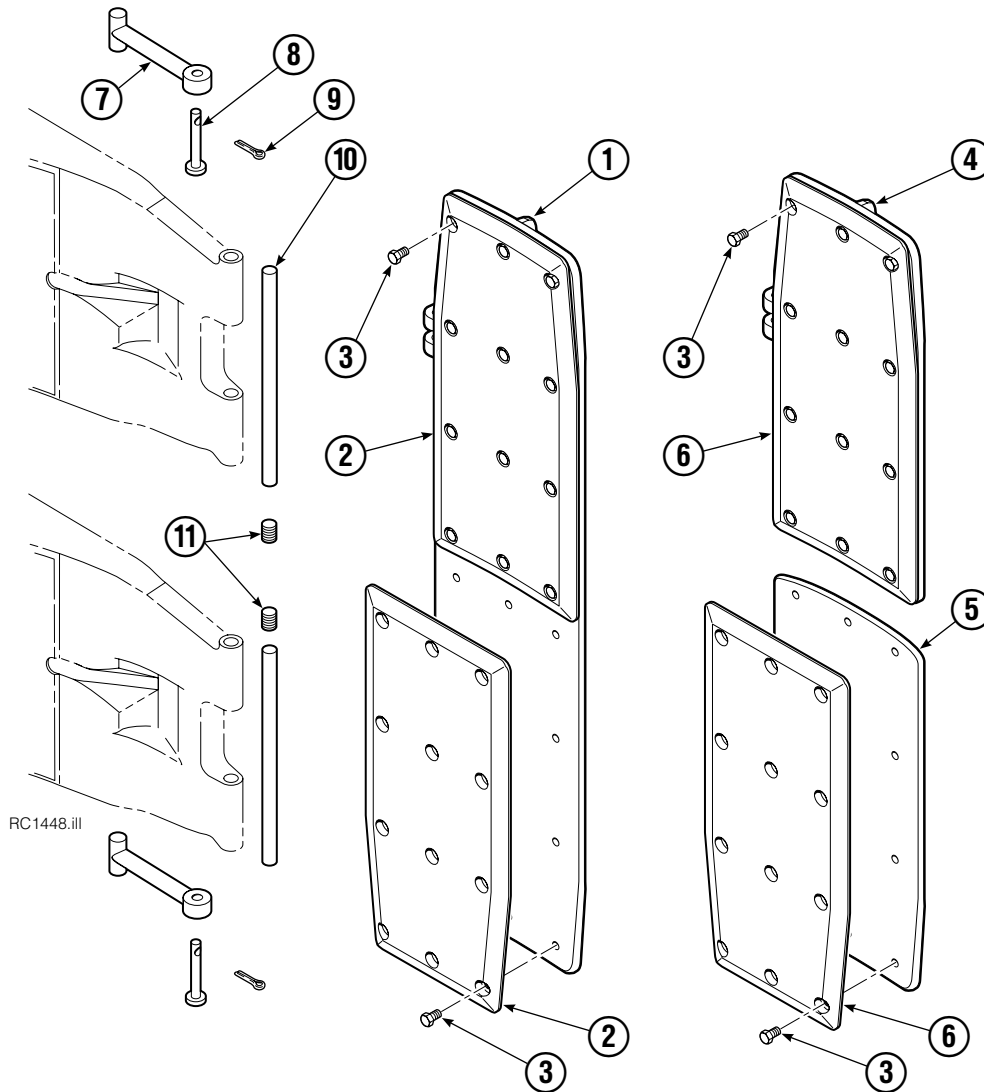


77F/90F/100F/120F				
REF	QTY	Short Arm	Long Arm	DESCRIPTION
		PART NO.	PART NO.	
		674948	206598	Contact Pad Group ◆
1	1	674962	206601	Standard Contact Pad
		—	386612	Contact Pad Group – Split Pad ●
2	1	—	339724	Standard Split Pad – RH ▲
3	1	—	339723	Standard Split Pad – LH ▲

- ◆ Pad Group includes 1 & 4-8.
- Pad Group includes 2-8.
- ▲ Driver's view, clamp in horizontal position, Long Arm up.

REF	QTY	PART NO.	DESCRIPTION	REF	QTY	PART NO.	DESCRIPTION
4	2	674994	Link	7	2	674993	Pin
5	2	682978	Clevis Pin	8	2	689900	Plug
6	2	6525	Cotter Pin				

Bolt-On Contact Pad Groups



45F				
REF	QTY	51 in. ■	60 in. ■	DESCRIPTION
		PART NO.	PART NO.	
		360136	371441	Bolt-On White Rubber Pad Group ◆
		6025009	6025015	Bolt-On Black Rubber Pad Group ◆
		361137	—	Split White Rubber Pad Group ●
		6025028	—	Split Black Rubber Pad Group ●
1	1	360134	371442	Contact Pad
2	2	360135	360135	White Rubber Pad
	2	6024901	6024901	Black Rubber Pad
3	24	201263	201263	Capscrew, .312 x .50
4	1	361139	—	Split Pad – RH ▲
5	1	361138	—	Split Pad – LH ▲
6	2	361140	—	White Rubber Pad
	2	6024914	—	Black Rubber Pad

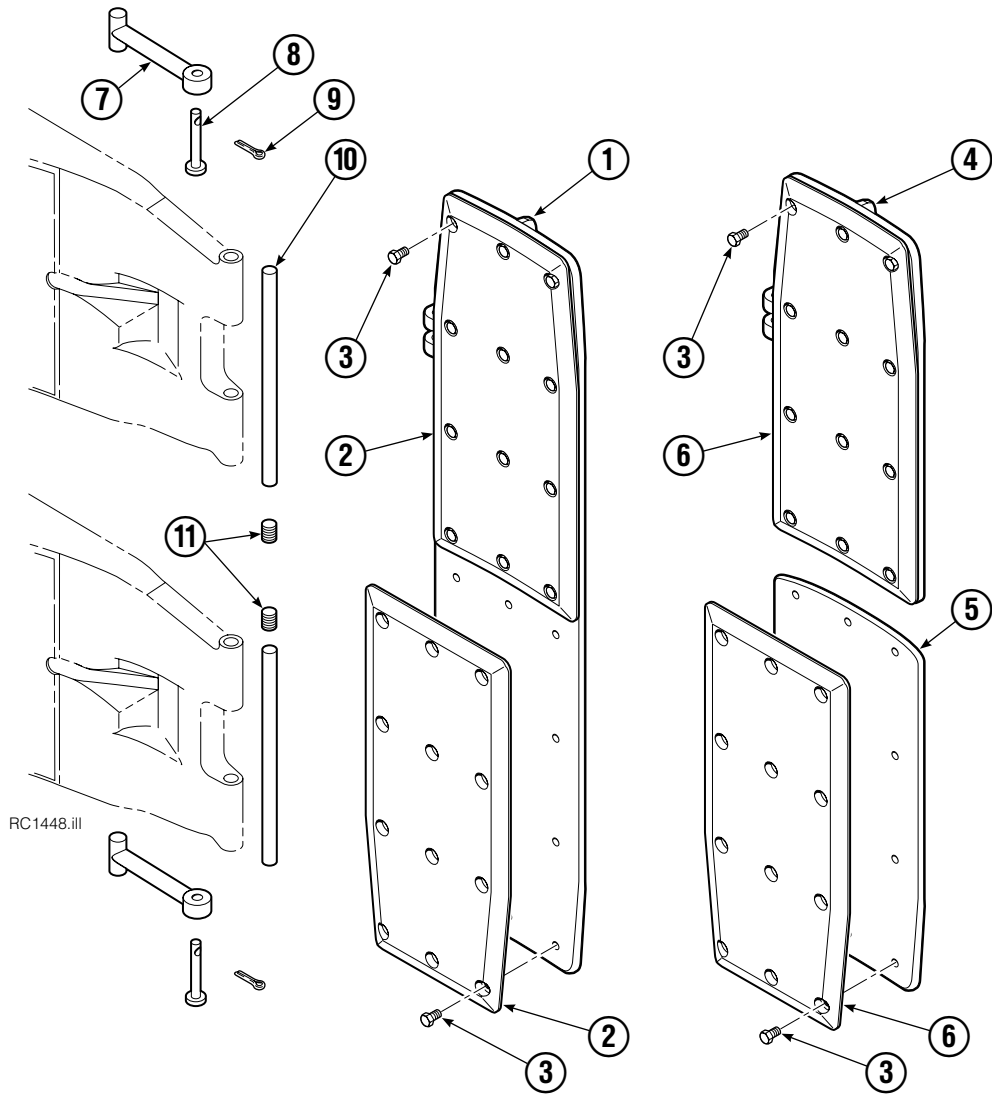
◆ Pad Group includes 1-3, & 7-11.

● Pad Group includes 3-11.

▲ Driver's view, clamp in horizontal position, Long Arm up.

REF	QTY	PART NO.	DESCRIPTION	REF	QTY	PART NO.	DESCRIPTION
7	2	674700	Link	10	2	674701	Pin
8	2	674265	Clevis Pin	11	2	604510	Plug
9	2	6525	Cotter Pin				

Bolt-On Contact Pad Groups



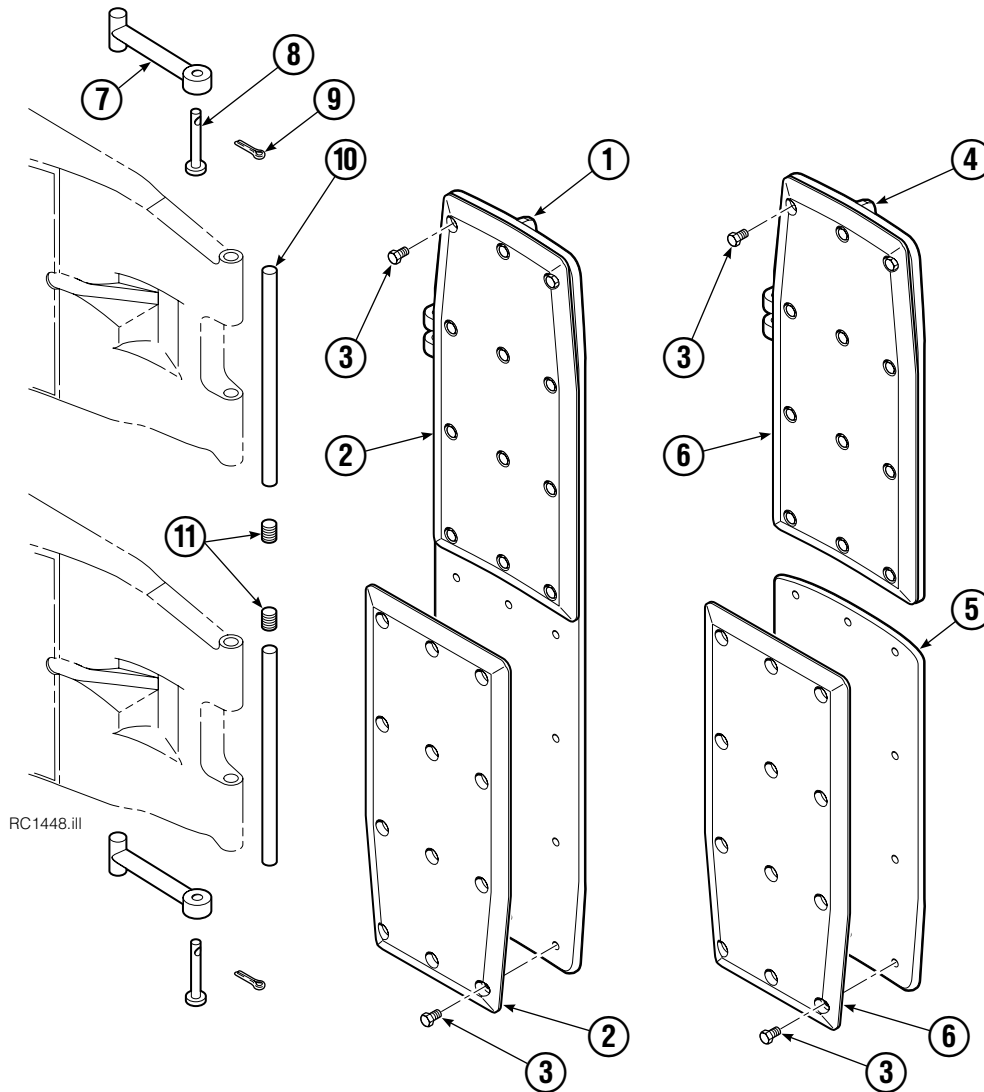
RC1448.ill

60F			
REF	QTY	51 in. ■	DESCRIPTION
		PART NO.	
		354114	Bolt-On White Rubber Pad Group ◆
		6025033	Bolt-On Black Rubber Pad Group ◆
		356626	Split White Rubber Pad Group ●
		6025038	Split Black Rubber Pad Group ●
1	1	349156	Contact Pad
2	2	354115	White Rubber Pad
	2	6024916	Black Rubber Pad
3	24	201263	Capscrew, .312 x .50
4	1	356627	Split Pad
5	1	356628	Split Pad
6	2	356629	White Rubber Pad
	2	6024917	Black Rubber Pad

- ◆ Pad Group includes 1-3, & 7-11.
- Pad Group includes 3-11.

REF	QTY	PART NO.	DESCRIPTION	REF	QTY	PART NO.	DESCRIPTION
7	2	674700	Link	10	2	674701	Pin
8	2	674265	Clevis Pin	11	2	604510	Plug
9	2	6525	Cotter Pin				

Bolt-On Contact Pad Groups



77F/90F/100F/120F				
REF	QTY	51 in. ■	60 in. ■	DESCRIPTION
		PART NO.	PART NO.	
		376948	359563	Bolt-On White Rubber Pad Group ◆
		6025271	6025265	Bolt-On Black Rubber Pad Group ◆
		—	364546	Split White Rubber Pad Group ●
		—	6025268	Split Black Rubber Pad Group ●
1	1	376960	359564	Contact Pad
2	2	359565	359565	White Rubber Pad
	2	6028874	6028874	Black Rubber Pad
3	24	201263	201263	Capscrew, .312 x .50
4	1	—	364564	Split Pad
5	1	—	364565	Split Pad
6	2	—	364566	White Rubber Pad
	2	—	6024911	Black Rubber Pad

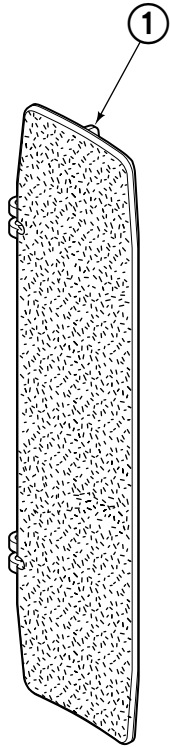
◆ Pad Group includes 1-3, & 7-11.

● Pad Group includes 3-11.

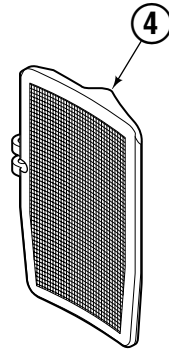
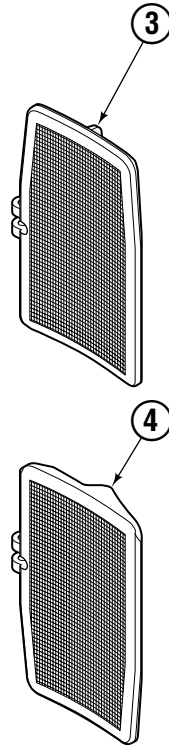
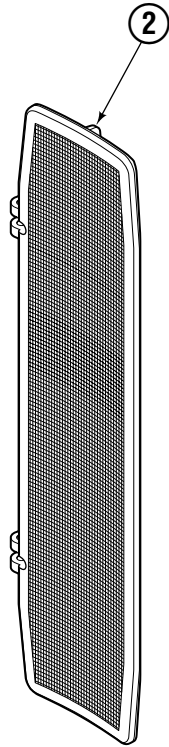
REF	QTY	PART NO.	DESCRIPTION	REF	QTY	PART NO.	DESCRIPTION
7	2	674994	Link	10	2	674993	Pin
8	2	682978	Clevis Pin	11	2	689900	Plug
9	2	6525	Cotter Pin				

Contact Pad Options

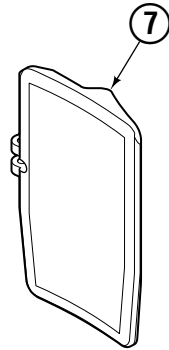
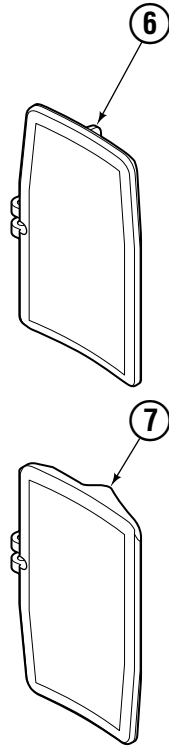
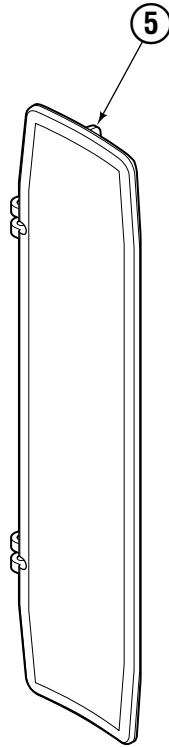
Spray Metal



Bonded RXH



Bonded Urethane



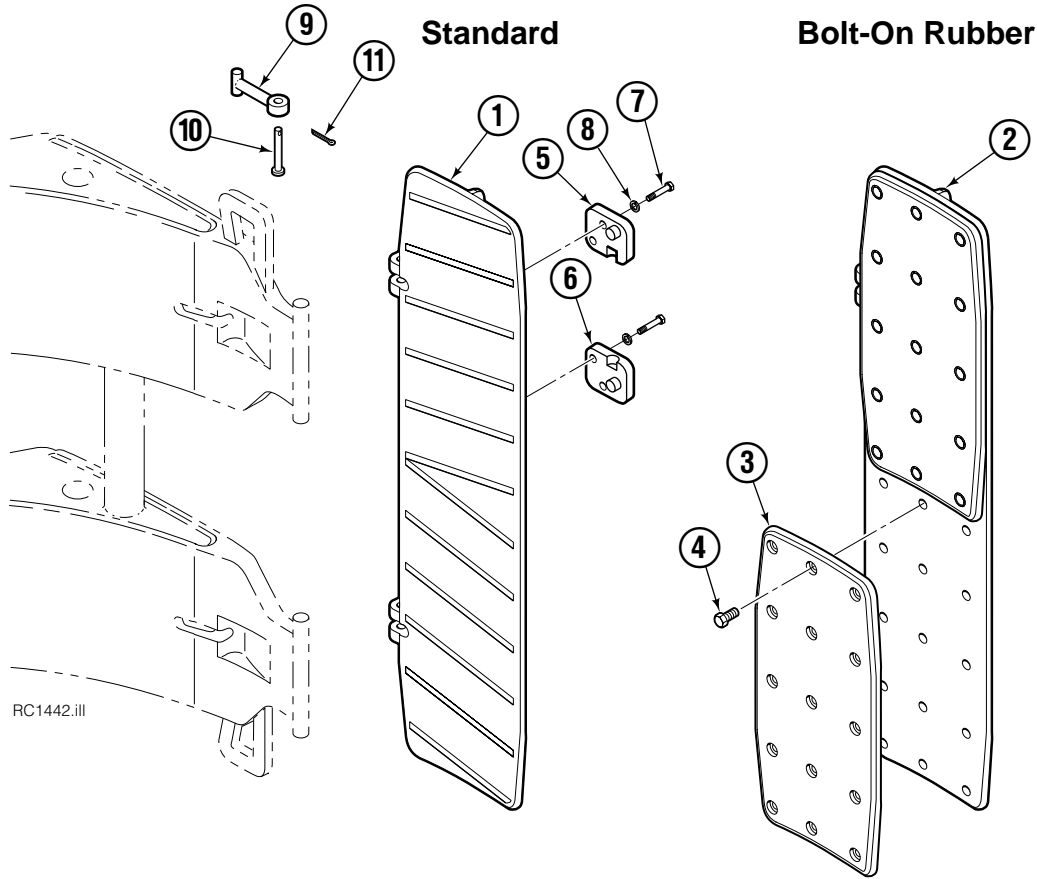
RC1446.ill

REF	QTY	45F	60F	77-120F	90FX	DESCRIPTION
		PART NO.	PART NO.	PART NO.	PART NO.	
1	1	—	6002797	—	—	Spray Metal Contact Pad – 51 in. ■
1	1	—	—	6002806	—	Spray Metal Contact Pad – 60 in. ■
1	1	6009606	6003401	—	—	Spray Metal Contact Pad – 72 in. ■
2	1	6021557	6021564	6021582	—	Bonded RXH Contact Pad
3	1	6021560	6021566	6021583	6021586	Bonded RXH Split Pad – RH ▲
4	1	6021561	6021567	6021584	6021587	Bonded RXH Split Pad – LH ▲
5	1	6020745	—	6023430	—	Bonded UDP Contact Pad
6	1	6023589	—	6023610	—	Bonded UDP Split Pad – RH ▲
7	1	6023590	—	6023611	—	Bonded UDP Split Pad – LH ▲

■ Maximum roll handling capacity.

▲ Driver's view, clamp in horizontal position, Long Arm up.

Contact Pad Groups – Short Arm



RC1442.ill

60G/66G/72G								
REF	QTY	51 in. ■	55 in. ■	60 in. ■	65 in. ■	72 in. ■	84 in. ■	DESCRIPTION
		PART NO.	PART NO.	PART NO.	PART NO.	PART NO.	PART NO.	
		209877 ●	—	209883 ●	—	209888 ●	—	Standard Pad Group
1	1	209893	—	209895	—	209898	—	Standard Pad
		6016130 ◆	—	209886 ◆	3012550 ◆	—	390876 ◆	Bolt-On White Rubber Pad Group
2	1	6016146	—	212292	3012552	—	390491	Bolt-On Pad
3	2	209921	—	209921	209921	—	209921	White Rubber Pad
4	30	213543	—	213543	213543	—	213543	Capscrew, M8 x 10
		6016387 ◆	6027906 ◆	6025277 ◆	—	—	—	Bolt-On Black Rubber Pad Group
2	1	6016146	219637	212292	—	—	—	Bolt-On Pad
3	2	6016388	6024956	6024956	—	—	—	Black Rubber Pad
4	30	213543	213543	213543	—	—	—	Capscrew, M8 x 10

■ Maximum roll handling capacity.

★ Pad Group includes items 2 & 6-12.

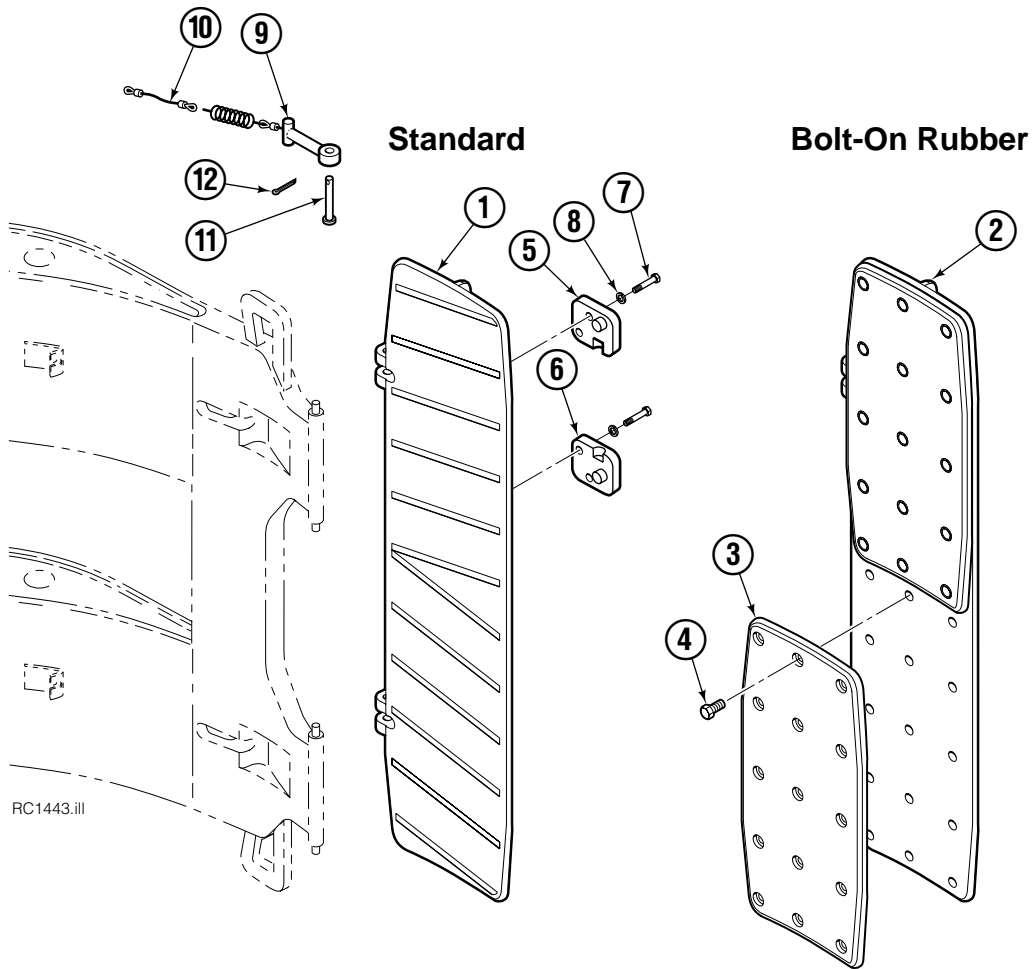
● Pad Group includes items 1 & 6-12.

◆ Pad Group includes items 3-12.

REF	QTY	PART NO.	DESCRIPTION	REF	QTY	PART NO.	DESCRIPTION
		212935	Common Parts Group – Short Arm	9	2	209909	Link
5	2	209904	Retainer – RH ▲	10	2	674265	Clevis Pin
6	2	209905	Retainer – LH ▲	11	2	6525	Cotter Pin
7	8	767810	Capscrew, M12 x 25			212910	Pad Retainer Service Kit (items 5-8)
8	8	681473	Lockwasher, M12				

▲ Driver's view, clamp in horizontal position, Short Arm up.

Contact Pad Groups – Long Arm



60G/66G/72G								
REF	QTY	51 in. ■	55 in. ■	60 in. ■	65 in. ■	72 in. ■	84 in. ■	DESCRIPTION
		PART NO.	PART NO.	PART NO.	PART NO.	PART NO.	PART NO.	
		209876 ●	—	209882 ●	—	209887 ●	—	Standard Pad Group
1	1	209893	—	209895	—	209898	—	Standard Pad
		6016147 ◆	—	209885 ◆	3012551 ◆	—	390875 ◆	Bolt-On White Rubber Pad Group
2	1	6016146	—	212292	3012552	—	390491	Bolt-On Pad
3	2	209921	—	209921	209921	—	209921	White Rubber Pad
4	30	213543	—	213543	213543	—	213543	Capscrew, M8 x 10
		6016386 ◆	6027905 ◆	6025276 ◆	—	—	—	Bolt-On Black Rubber Pad Group
2	1	6016146	219637	212292	—	—	—	Bolt-On Pad
3	2	6016388	6024956	6024956	—	—	—	Black Rubber Pad
4	30	213543	213543	213543	—	—	—	Capscrew, M8 x 10

■ Maximum roll handling capacity.

★ Pad Group includes items 2 & 6-13.

● Pad Group includes items 1 & 6-13.

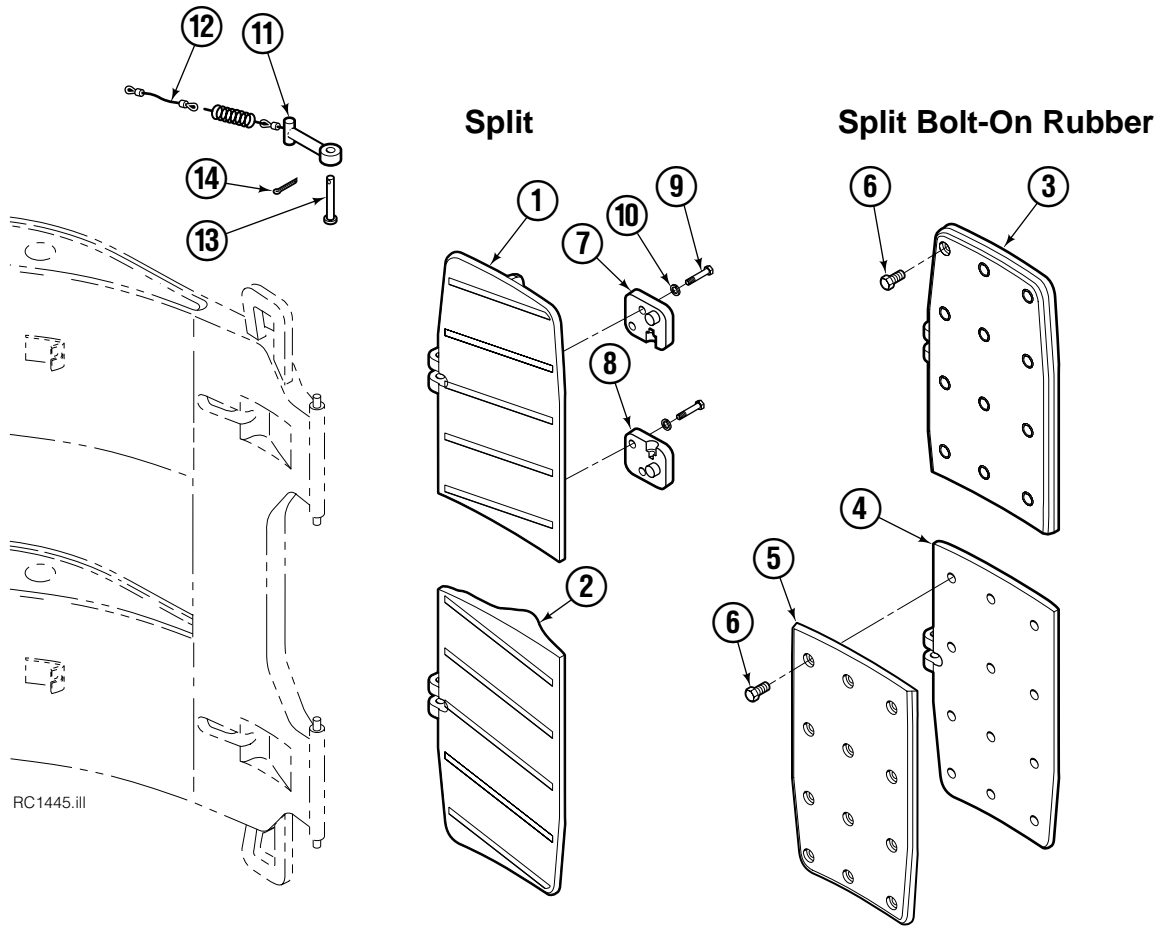
◆ Pad Group includes items 3-13.

REF	QTY	PART NO.	DESCRIPTION	REF	QTY	PART NO.	DESCRIPTION
		212934	Common Parts Group – Long Arm		2	4182-040	Cable – 51 in. ■
5	2	211997	Retainer – RH ▲	10	2	4182-110	Cable – 55 & 60 in. ■
6	2	211998	Retainer – LH ▲		2	4182-245	Cable – 65, 72 & 84 in. ■
7	8	767810	Capscrew, M12 x 25		11	2	674265
8	8	681473	Lockwasher, M12	12	2	6525	Cotter Pin
9	2	209916	Link Assembly			212911	Pad Retainer Service Kit (items 5-8)

▲ Driver's view, clamp in horizontal position, Long Arm up.

■ Maximum roll handling capacity.

Contact Pad Groups – Split



RC1445.ill

60G/66G/72G					
REF	QTY	51 in. ■	60 in. ■	72 in. ■	DESCRIPTION
		PART NO.	PART NO.	PART NO.	
		209878 ●	209884 ●	209889 ●	Split Pad Group
1	1	213644	213652	213658	Split Pad – RH ▲
2	1	213645	213653	213659	Split Pad – LH ▲
		—	391365 ◆	—	Bolt-On White Rubber Pad Group
3	1	—	390482	—	Bolt-On Split Pad – RH ▲
4	1	—	390481	—	Bolt-On Split Pad – LH ▲
5	2	—	390483	—	White Rubber Pad
6	24	—	213543	—	Capscrew, M8 x 10
		—	6025279 ◆	—	Bolt-On Black Rubber Pad Group
3	1	—	390482	—	Bolt-On Split Pad – RH ▲
4	1	—	390481	—	Bolt-On Split Pad – LH ▲
5	2	—	6024955	—	Black Rubber Pad
6	24	—	213543	—	Capscrew, M8 x 10

● Pad Group includes items 1, 2 & 7-14.

◆ Pad Group includes items 3-14.

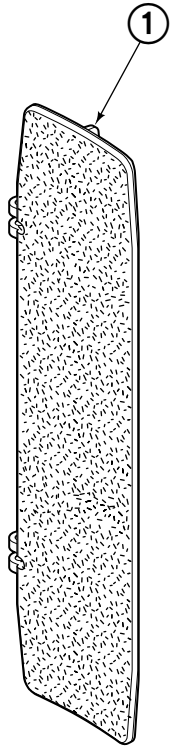
REF	QTY	PART NO.	DESCRIPTION	REF	QTY	PART NO.	DESCRIPTION
		212934	Common Parts Group – Long Arm		2	4182-040	Cable – 51 in. ■
7	2	211997	Retainer – RH ▲	12	2	4182-110	Cable – 60 in. ■
8	2	211998	Retainer – LH ▲		2	4182-245	Cable – 72 in. ■
9	8	767810	Capscrew, M12 x 25		13	2	674265
10	8	681473	Lockwasher, M12	14	2	6525	Cotter Pin
11	2	209916	Link Assembly			212911	Pad Retainer Service Kit (items 7-10)

▲ Driver's view, clamp in horizontal position, Long Arm up.

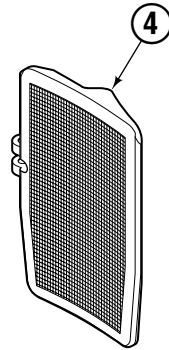
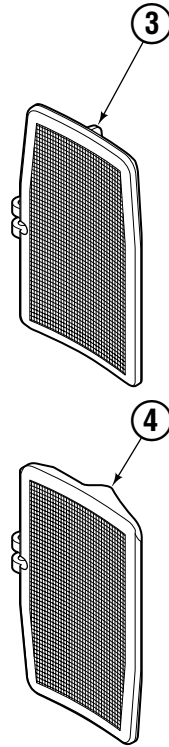
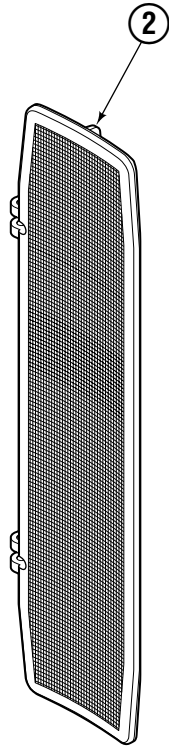
■ Maximum roll handling capacity.

Contact Pad Options

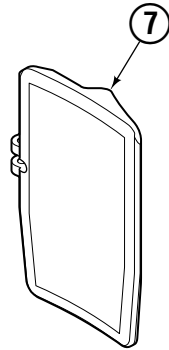
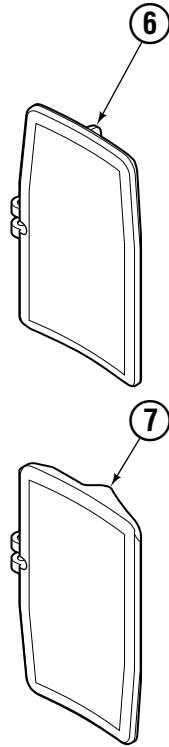
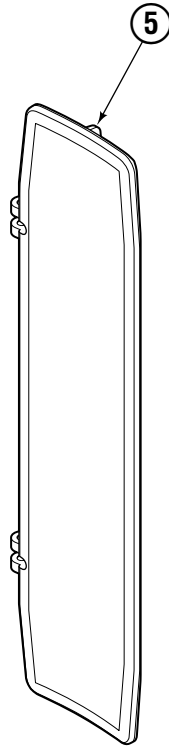
Spray Metal



Bonded RXH



Bonded Urethane



RC1446.ill

60G/66G/72G				
REF	QTY	51 in. ■	60 in. ■	DESCRIPTION
		PART NO.	PART NO.	
1	1	6007376	6006936	Spray Metal Contact Pad
2	1	6021574	6021575	Bonded RXH Contact Pad
3	1	6021576	6021578	Bonded RXH Split Pad – RH ▲
4	1	6021577	6021579	Bonded RXH Split Pad – LH ▲
5	1	—	6026404	Bonded UDP Contact Pad
6	1	—	6026405	Bonded UDP Split Pad – RH ▲
7	1	—	6026406	Bonded UDP Split Pad – LH ▲

■ Maximum roll handling capacity.

▲ Driver's view, clamp in horizontal position, Long Arm up.

Do you have questions you need answered right now? Call your nearest Cascade Parts Department. Visit us online at www.cascorp.com

AMERICAS

**Cascade Corporation
U.S. Headquarters**
2201 NE 201st
Fairview, OR 97024-9718
Tel: 800-CASCADE (227-2233)
Fax: 888-329-8207

Cascade Canada Inc.
5570 Timberlea Blvd.
Mississauga, Ontario
Canada L4W-4M6
Tel: 905-629-7777
Fax: 905-629-7785

Cascade do Brasil
Rua João Guerra, 134
Macuco, Santos - SP
Brasil 11015-130
Tel: 55-13-2105-8800
Fax: 55-13-2105-8899

EUROPE-AFRICA

**Cascade Italia S.R.L.
European Headquarters**
Via Dell'Artigianato 1
37030 Vago di Lavagno (VR)
Italy
Tel: 39-045-8989111
Fax: 39-045-8989160

Cascade (Africa) Pty. Ltd.
PO Box 625, Isando 1600
60A Steel Road
Sparton, Kempton Park
South Africa
Tel: 27-11-975-9240
Fax: 27-11-394-1147

ASIA-PACIFIC

Cascade Japan Ltd.
2-23, 2-Chome,
Kukuchi Nishimachi
Amagasaki, Hyogo
Japan, 661-0978
Tel: 81-6-6420-9771
Fax: 81-6-6420-9777

Cascade Korea
121B 9L Namdong Ind.
Complex, 691-8 Gojan-Dong
Namdong-Ku
Inchon, Korea
Tel: +82-32-821-2051
Fax: +82-32-821-2055

Cascade-Xiamen
No. 668 Yangguang Rd.
Xinyang Industrial Zone
Haicang, Xiamen City
Fujian Province
P.R. China 361026
Tel: 86-592-651-2500
Fax: 86-592-651-2571

**Cascade India Material
Handling Private Limited**
No 34, Global Trade Centre
1/1 Rambaugh Colony
Lal Bahadur Shastri Road,
Navi Peth, Pune 411 030
(Maharashtra) India
Phone: +91 020 2432 5490
Fax: +91 020 2433 0881

Cascade Australia Pty. Ltd.
1445 Ipswich Road
Rocklea, QLD 4107
Australia
Tel: 1-800-227-223
Fax: +61 7 3373-7333

Cascade New Zealand
15 Ra Ora Drive
East Tamaki, Auckland
New Zealand
Tel: +64-9-273-9136
Fax: +64-9-273-9137

**Sunstream Industries
Pte. Ltd.**
18 Tuas South Street 5
Singapore 637796
Tel: +65-6795-7555
Fax: +65-6863-1368

