



# Parts Manual

---

Model F-Series Sideshifter

Serial Number 55F-SS-012

---

**cascade**<sup>®</sup>

**For Technical Assistance call:** 800-227-2233, Fax: 888-329-8207

**To Order Parts call:** 888-227-2233, Fax: 888-329-0234

**OR**

**Write:** Cascade Corporation, P.O. Box 20187, Portland, OR 97220

**Internet:** [www.cascorp.com](http://www.cascorp.com)

# INSPECTION & MAINTENANCE



**WARNING:** After completing any service procedure, always test the sideshifter through five complete cycles. First test with no load, then test with a load to make sure the attachment operates correctly before returning it to the job.

## Daily

Check items shown each day. Report problems to your supervisor. See Service Manual for maintenance and repair procedures.

## 100-Hour

Every time the lift truck is serviced or every 100 hours of truck operation, whichever comes first, complete the following maintenance procedures:

- Check for loose or missing bolts, worn or damaged hoses, hydraulic leaks, and damaged or missing fork stops.
- Inspect clearance between sideshifter lower hooks and truck lower carriage bar (Refer to Step 4, Installation). Tighten lower hook capscrews to 120 ft.-lbs (165 Nm).

## 500-Hour

After each 500 hours of truck operation, in addition to the 100-hour maintenance, perform the following procedures:

- Tighten backrest capscrews (Cascade) to 145 ft.-lbs. (195 Nm).
- Apply general-purpose lithium-based chassis grease to Sideshifter upper and lower bearings.



## 1000-Hour

After each 1000 hours of truck operation, in addition to the 100 and 500-hour maintenance, perform the following procedures:

- Inspect upper and lower bearings for wear. If any bearing is worn to less than 3/32 in. (2.5 mm) thickness, replace the entire bearing set. See Service Manual for replacement procedure.
- Inspect forks for wear (Use Cascade fork bar wear gauge 209560 and fork wear calipers 686093).

# PARTS

**Product Identification** – This Section shows replacement parts for F-Series Sideshifters. The product model number and serial number are stamped on the back surface of the LH vertical bar (driver's view), and must be provided when ordering replacement parts. The cylinder/anchor bracket assembly part number is stamped on the front surface RH end of the anchor bracket (driver's view).



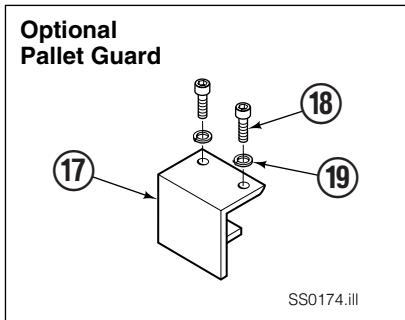
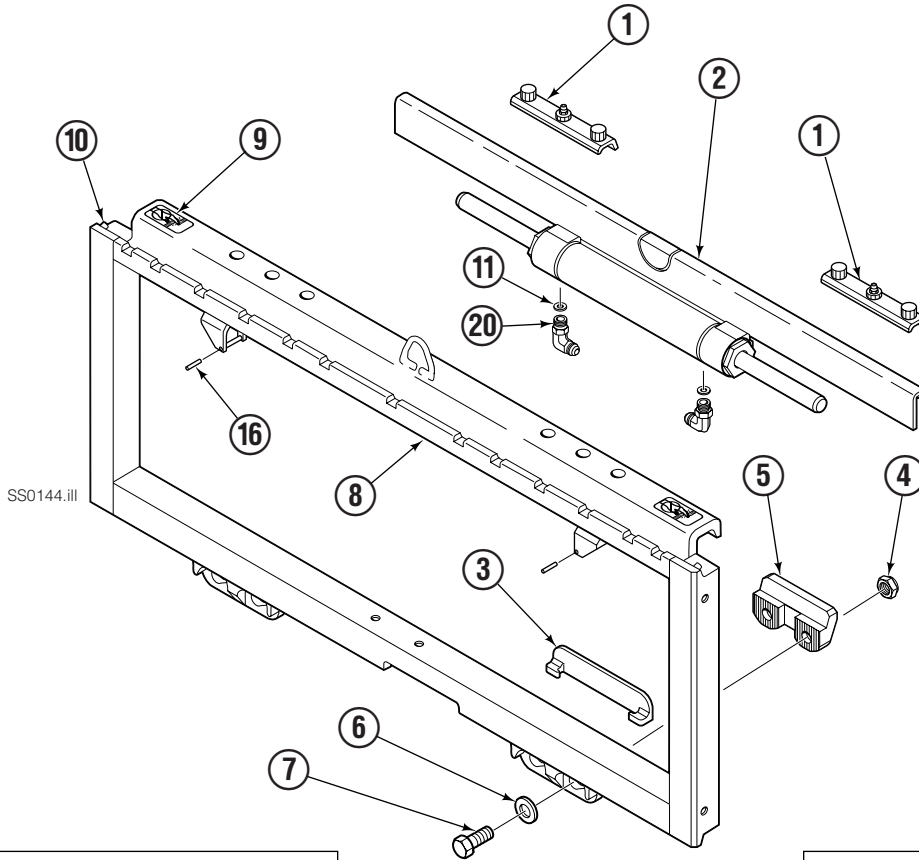
**WARNING:** For the safety of yourself and others, DO NOT install the parts shown in this Manual unless you have thoroughly reviewed the appropriate Service Manual.

Stamped model number, serial number, specifications.

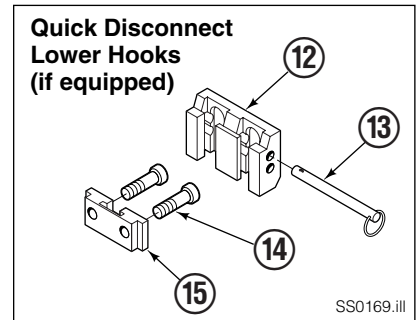
Sticker showing patent numbers, phone numbers for service.



Back (Driver's View)



Front View



55F							
REF	QTY	PART NO.	DESCRIPTION	REF	QTY	PART NO.	DESCRIPTION
1	▼	228782	Upper Bearing	13	2	678832	Pin, Q.D.
1	▼	218363	Upper Bearing, Bronze (optional)	14	4	683182	Capscrew, M16 x 35
2	1	10039-4	Cylinder Assembly ■	15	2	675515	Guide
3	▼	6000719	Lower Bearing	16	2	7891	Roll Pin
★ 4	4	553857	Nut, 5/8 NC, G5	◆17	1	220689	Pallet Guard
★ 4	4	781534	Nut, M16	◆18	2	769573	Capscrew, M16
★ 5	2	204186	Lower Hook	◆19	2	684586	Lockwasher
★ 6	4	667225	Washer, 5/8 HS	20	2	601676	Fitting-90, JIC 6-6
★ 7	4	639121	Capscrew, 5/8 NC x 1.5, G5		2	207304	Fitting-90, JIC 6-6, Long
★ 7	4	766154	Capscrew, M16 x 45, G8.8		2	667222	Fitting-90, JIC 5-6
8	1	10090-420	Frame ●		2	666984	Fitting-90, JIC 4-6
9	2	221906	Safety Decal		2	604511	Fitting-STR, JIC 6-6
10	1	219400	Fork Stop Kit (Includes 2 stops)		2	211807	Fitting-90, Face Seal Adpt 4-6
11	2	221733	Flow Restrictor, 1.5 mm		2	220832	Fitting-STR, Face Seal Adpt 4-6
12	2	675514	Q.D. Lower Hook, Class II		1	204182	Lower Hook Service Kit

● If Frame needs replacing, order complete Sideshift Assembly.

★ Included in Lower Hook Group 204182.

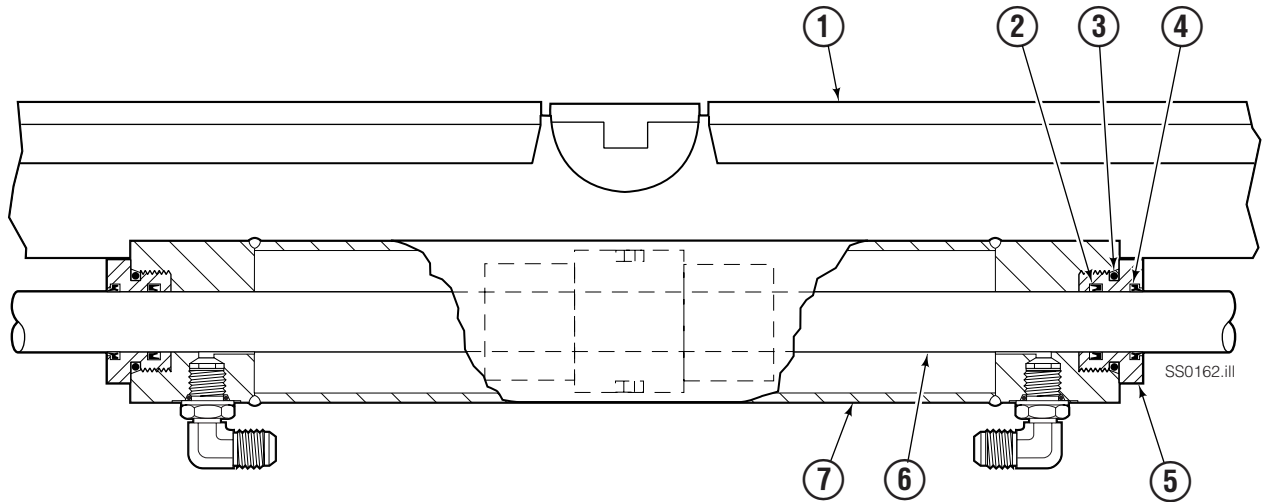
■ See Cylinder page for parts breakdown.

▼ Quantity as required.

Reference: Fitting Group 204179, Common Parts 219614, Restrictor Washer Group 221732.

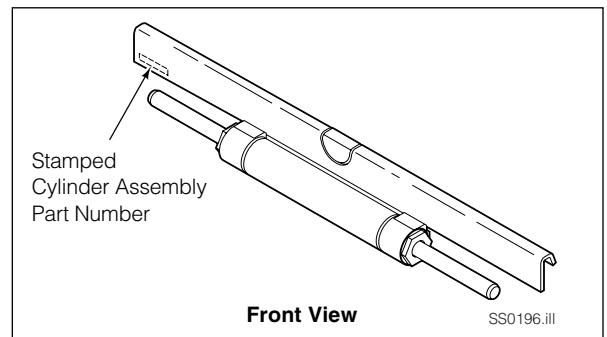
# PARTS

## Cylinder Assembly



55F			
REF	QTY	PART NO.	DESCRIPTION
1	1	10039-4◆	Cylinder Assembly
●2	2	562132	Rod Seal
●3	2	415866	O-Ring, 70 Duro
●4	2	562131	Rod Wiper Seal
5	2	218324	Retainer/Seal Carrier
6	—	■	Rod/Piston Assembly
7	—	■	Cylinder Shell
		219868	Rod Seal Service Kit

- Included in Service Kit 219868.
  - Not serviceable, order new Cylinder Assembly.
  - ◆ Refer to complete part number stamped on anchor bracket, or serial number stamped on frame.
- Reference: S-10039



## Recommended Spare Parts

55F		UNITS SERVICED		
PART NUMBER	DESCRIPTION	1-5	6-19	20-50
<b>BASE UNIT AND MOUNTING</b>				
228782	Upper Bearing	8	16	32
6000719	Lower Bearing	6	12	24
204186	Lower Hook	0	2	4
■	Capscrew	0	4	8
■	Nut	0	4	8
667225	Washer	0	4	8
<b>CYLINDER</b>				
10039-4■	Cylinder Assembly	0	0	1
219868	Cylinder Service Kit	1	2	4

■ See specific parts page for part number.

## Publications



55F	
PART NO.	DESCRIPTION
219941	User Manual (Operation, Installation, Parts)
220526	Service Manual
679929	Tool Catalog
673964	Literature Index Order Form

**Do you have questions you need answered right now?** Call your nearest Cascade Parts Department.

**Cascade Corporation**  
2501 Sheridan Avenue  
Springfield, OH 45505  
Tel: 888-CASCADE (227-2233)  
FAX: 888-329-0234  
www.cascorp.com

**Cascade Canada Inc.**  
5570 Timberlea Blvd.  
Mississauga, Ontario  
Canada L4W-4M6  
Tel: 905-629-7777  
FAX: 905-629-7785

**Cascade GmbH**  
D-41199 Monchengladbach  
Klosterhofweg 52  
Germany  
Tel: 21-66-602091  
FAX: 21-66-680947

**Cascade Finland**  
01370 Vantas  
Finland  
Tel: 358-0-836-1925  
FAX: 358-0-836-1935

**Cascade N.V.  
European Headquarters**  
P.O. Box 3009  
1300 El Almere  
Damsluisweg 56  
1332 ED Almere  
The Netherlands  
Tel: 31-36-5492911  
FAX: 31-36-5492964

**Cascade N.V.  
Benelux Sales and Service**  
P.O. Box 3009  
1300 El Almere  
Damsluisweg 56  
1332 ED Almere  
The Netherlands  
Tel: 31-36-5492950  
FAX: 31-36-5492974

**Cascade (UK) Ltd.**  
15, Orgreave Crescent  
Dore House Industrial Estate  
Handsworth  
Sheffield S13 9NQ  
England  
Tel: 742-697524  
FAX: 742-695121

**Cascade Scandinavia  
Hydraulik A.B.**  
Muskötgatan 19, E8-9  
S25466 Helsingborg  
Sweden  
Tel: 42-151135  
FAX: 42-152997

**Cascade Norway**  
Østerliveien 37A  
1153 Oslo  
Norway  
Tel: 47-22-743160  
FAX: 47-22-743157

**Cascade France S.A.R.L.**  
11, Rue Jean Charcot  
Zone Industrielle Sud or  
B.P. 22  
91421 Morangis Cedex  
France  
Tel: 1- 64547501  
FAX: 1-9790584

**Cascade Hispania S.A.**  
Avenida De La Fabregada, 7  
Hospitalet De Llobregat  
Barcelona  
Spain  
Tel: 3-335-5158  
FAX: 3-335-4756

**Cascade Japan Ltd.**  
5-5-41,  
Torikai Kami  
Settsu, Osaka  
Japan, 566  
Tel: 81-726-53-3490  
FAX: 81-726-53-3497

**Cascade Korea**  
Room 508, Pum Yang Bldg.  
750-14, Bang Bac-Dong  
Se-Cho Ku, Seoul  
Korea  
Tel: 2599-7131 ext. 512  
FAX: 2533-8089

**HYCO-Cascade Pty. Ltd.**  
1445 Ipswich Road  
Rocklea,  
Queensland 4107  
Australia  
Tel: 3-274-2722  
FAX: 3-274-3456

**HYCO-Cascade (NZ) Ltd.**  
15 Ra Ora Drive, East Tamaki  
P.O. Box 38-440  
Howick, Auckland  
New Zealand  
Tel: 9-273-9136  
FAX: 9-273-9137

**Cascade (Africa) Pty. Ltd.**  
P.O. Box 625, Isando 1600  
60A Steel Road  
Sparton, Kempton Park  
South Africa  
Tel: 975-9240  
FAX: 394-1147

**Cascade-Xiamen**  
Wanshan No. 1 Workshop  
Huli Road  
Xiamen 361006  
Fujian, PRC  
Tel: 592-562-4600  
FAX: 592-562-4671

**Cascade (Singapore)  
Trading Co.**  
Four Seasons Park  
Autumn Block - Apt. 1802  
12 Cascaden Walk  
Singapore  
Tel: 65-834-1935  
FAX: 65-834-1936

