



Technical Bulletin

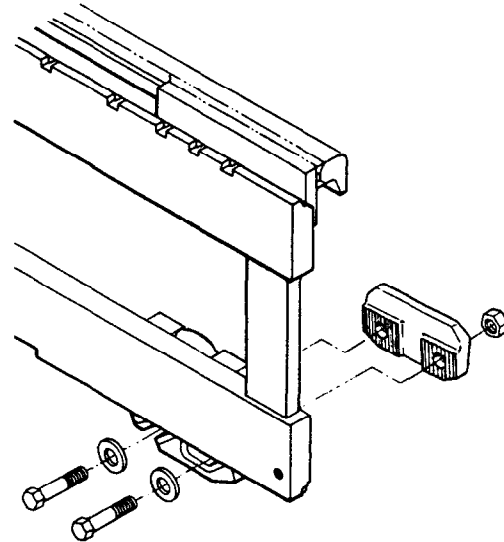
D-Series Sideshifter Lower Hook Service Kit 677280

Models: 30D, 55D and 100D Sideshifters

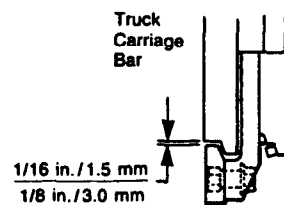
Install the mounting kit as follows.

① Install the lower hooks and hardware as shown.

- Use the 5/8 X 1.62 in. capscrews for 30D and 55D Models.
- Use the 5/8 X 2.00 in. capscrews for 100D Models.



② Adjust the hook tight against the carriage bar then back off one rib position. The clearance between the hook and carriage bar must be 1/16 in. minimum to 1/8 in. maximum. Tighten the capscrews to a torque of 115-125 ft.-lbs.



NOTE: This information should not be interpreted as the basis for warranty claims unless so designated.

Part No. 677488 R-1

cascade®

For Technical Assistance and to Order Parts . . .

Call: 1-800-CASCADE or 503-669-6300

FAX: 503-669-6367

Write: Cascade Corporation, PO Box 20187, Portland, OR 97220

© Cascade Corporation 1987