



Installation Instructions

Low Pressure Tank Line Adapter Kits

This sheet describes the installation of a low pressure hydraulic return line from an attachment accessory valve connecting to the truck tank low pressure return line.

Each kit includes an adapter tee for the truck low pressure tank line hose, a length of low pressure hose, fittings for connection to the attachment accessory valve and hose clamps.

NOTE: This installation requires splicing into the truck control valve low pressure tank line.



WARNING: Do not install the tank line adapter fitting in the power steering or braking system return line. Improper installation can cause erratic brake or steering functions.

- 1 Locate the existing truck control valve low pressure tank line. In a suitable location, cut and remove a 1.5 in. (4 cm) section of hose as shown. For 2.0 in long adapter, just cut the hose.
- 2 Install the adapter tee and hose clamps to the low pressure tank line. Tighten the hose clamps.
- 3 Install the adapter fitting in the attachment accessory valve tank port.
- 4 Install the push on hose fitting (Push-Lok JIC female) to the low pressure hose supplied with the kit. Determine the low pressure hose length required and cut to length. Attach the hose to the attachment accessory valve fitting. Install the other hose end to the adapter tee. Avoid pinch and wear points. Tighten hose fittings and clamps.

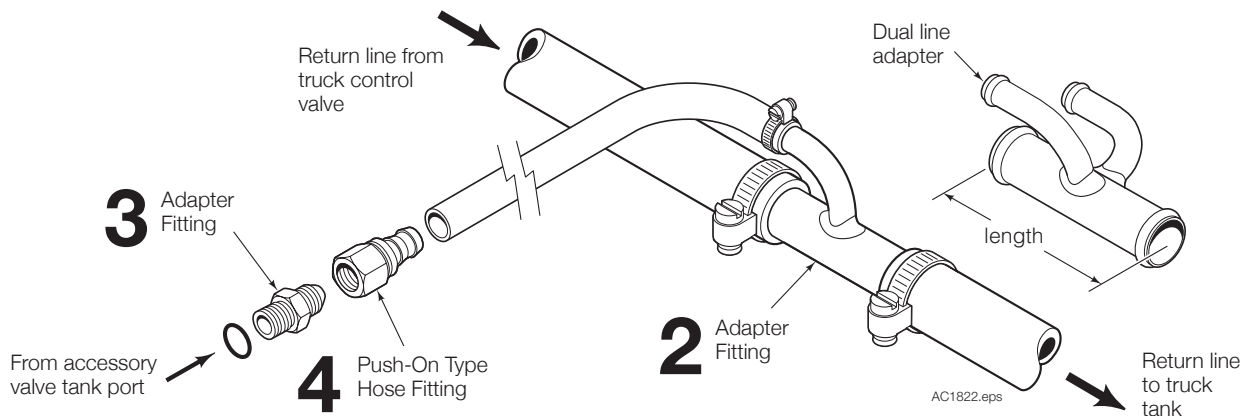
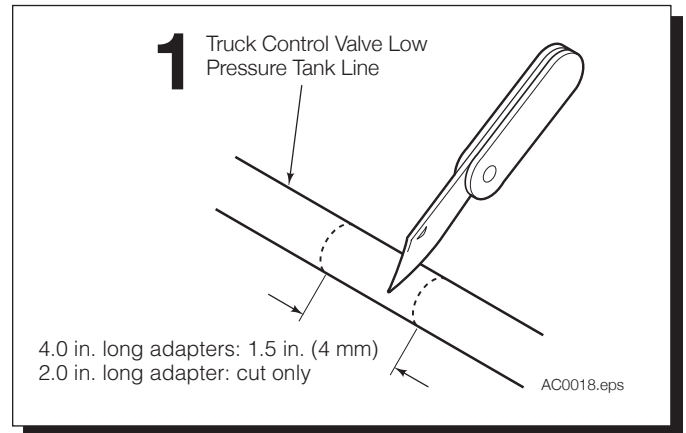
CAUTION: Secure the hose with cable ties as necessary to avoid pinch and wear points.

Single Line Adapter Kit

Tank Hose ID	Adapter Tee Length	Kit Part No.
.75 in. (19 mm)	4.12 in. (105 mm)	214056
.75 in. (19 mm)	2.00 in. (51 mm)	6098206
1.00 in. (25 mm)	4.12 in. (105 mm)	211745
1.25 in. (31 mm)	4.12 in. (105 mm)	214066
1.50 in. (38 mm)	4.12 in. (105 mm)	6037507

Dual Line Adapter Kit

Tank Hose ID	Adapter Tee Length	Kit Part No.
.75 in. (19 mm)	4.72 in. (120 mm)	6049380
1.00 in. (25 mm)	4.12 in. (105 mm)	6049381
1.25 in. (31 mm)	4.12 in. (105 mm)	6049382
1.50 in. (38 mm)	4.12 in. (105 mm)	6049383



cascade[®]
corporation

For Technical Support . . .

Call: 1-800-227-2233 Fax: 1-888-329-8207
Internet: www.cascorp.com
Write: Cascade Corporation, PO Box 20187, Portland, OR 97294

To Order Parts . . .

Call: 1-888-227-2233 Fax: 1-888-329-0234
Internet: www.cascorp.com
Write: Cascade Corporation, 2501 Sheridan Ave., Springfield, OH 45505