



Installation Instructions

Single Position Pressure Relief Valves 661674 (2-20 GPM) 685968 (20-50 GPM)

Install a single position pressure relief valve when it is necessary to limit the clamping force of the attachment arms. The cartridge can be adjusted to relieve pressure between 100 and 3000 psi.

- 1 Determine a convenient location to mount the valve on the truck cowl, mast or in the driver's compartment. The valve should be mounted as close as possible to the truck valve. Install a 1/4 in. capscrew to fasten the valve in position. See Figure 1.
- 2 Install hoses and fittings (minimum No. 8 with 13/32 in. ID) between the Pressure Relief Valve, Truck Auxiliary Valve and Attachment Valve. See Figure 2.



WARNING: Relieve truck pressure prior to installing or removing the pressure gauge.

- 3 Install a Tank Line Adapter Kit between the relief valve tank port and the truck tank. See Figure 2 and kits listed below.

Single Line Tank Hose ID	Adapter Kit
.75 in. (19 mm)	214062
1.00 in. (25 mm)	211745
1.25 in. (31 mm)	214066
1.50 in. (38 mm)	6037507



WARNING: Do not install the tank line adapter fitting in the power steering or braking system return line. Improper installation can cause erratic brake or steering functions.

- 4 To preset the valve relief cartridge, install a 3000 psi pressure gauge (part no. 664158) into the circuit as shown in Figure 2.
- 5 Loosen the jam nut on the relief cartridge. Adjust the relief cartridge (3/16" allen hex wrench) inward to raise pressure or outward to lower the pressure.
- 6 Actuate the truck hydraulic system to fully close the attachment arms. Check the pressure adjustment and readjust as required. Tighten the jam nut.

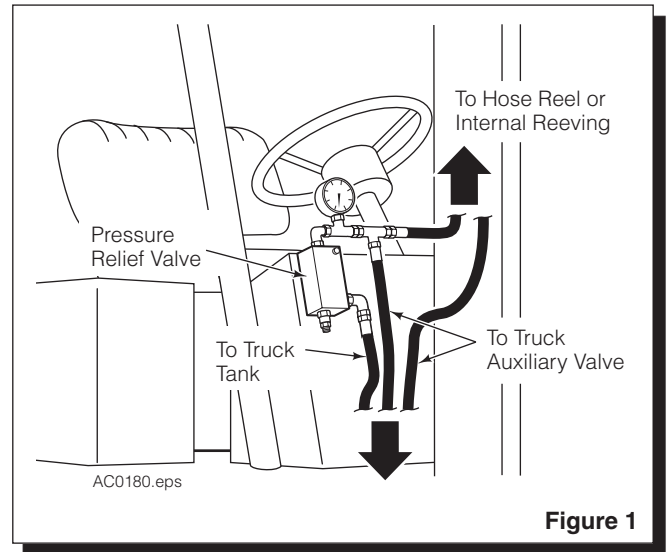


Figure 1

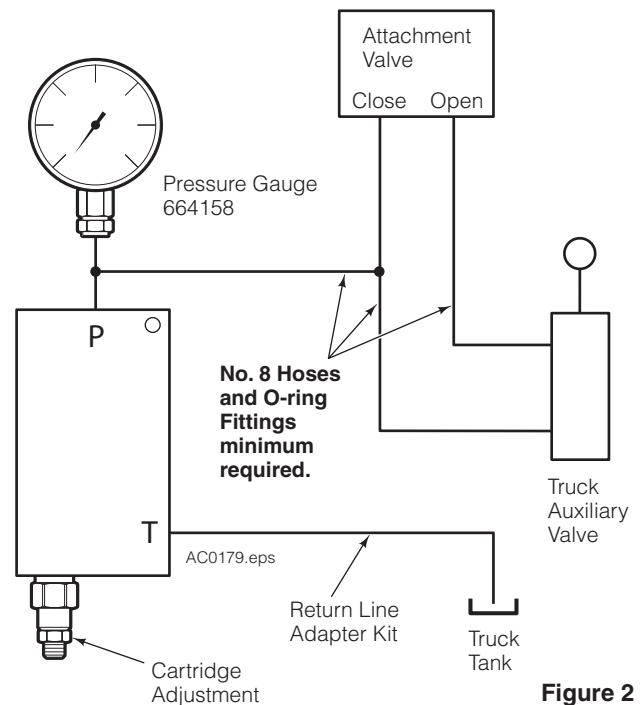


Figure 2

Part No. 664877-R3

cascade[®]
corporation

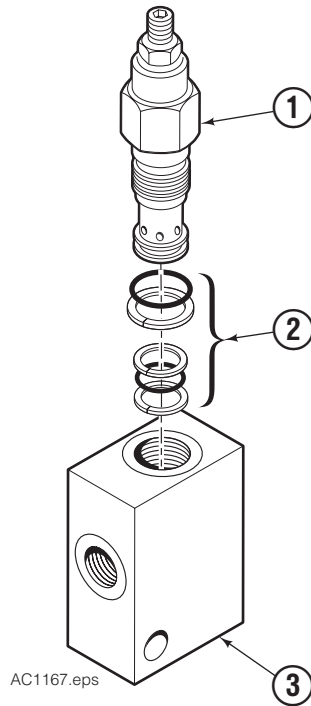
For Technical Support . . .

Call: 1-800-227-2233 Fax: 1-888-329-8207
Internet: www.cascorp.com
Write: Cascade Corporation, PO Box 20187, Portland, OR 97294

To Order Parts . . .

Call: 1-888-227-2233 Fax: 1-888-329-0234
Internet: www.cascorp.com
Write: Cascade Corporation, 2501 Sheridan Ave., Springfield, OH 45505

Replacement Parts



REF	QTY	2-20 GPM	20-50 GPM	DESCRIPTION
		PART NO.	PART NO.	
		661674	685968	Single Position Relief Valve
1	1	661676	685969	Relief Cartridge
2	1	669597	664923	Service Kit
3	1	661677	685970	Valve Body

