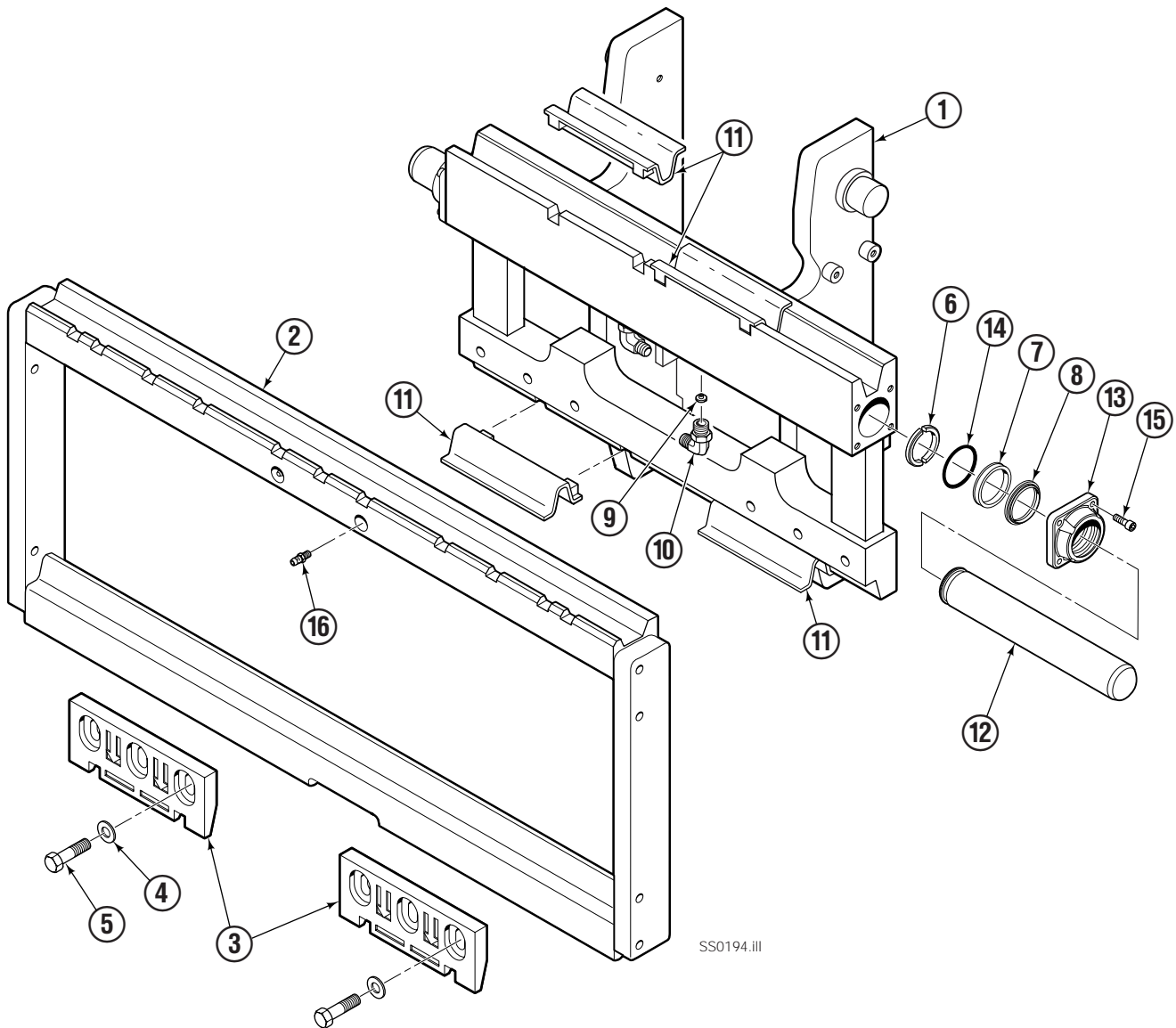


Integral Sideshifter



SS0194.III

50B

REF	QTY	PART NO.	DESCRIPTION
1	1	798717	Carriage
2	1	798715	Frame - 920 mm
3	2	797084	Lower Hook
4	6	200456	Washer
5	6	763021	Capscrew
6	4	797087	Bearing ●
7	2	797091	Seal ●
8	2	797090	Wiper ●
9	2	564226	Restrictor
10	2	601676	Fitting
11	4	797088	Bearing
12	2	219692	Rod
13	2	797083	Retainer
14	2	797089	O-Ring ●
15	8	761170	Capscrew
16	2	7403	Grease Fitting

● Included in Service Kit 222391.

Reference: Assembly Drawing 218982 R-3.