



Parts Manual

Model _____ **Fork Positioner**

Serial Number _____ **100F-FPS-452**

cascade[®]
corporation

For Technical Assistance call: 800-227-2233, Fax: 888-329-8207

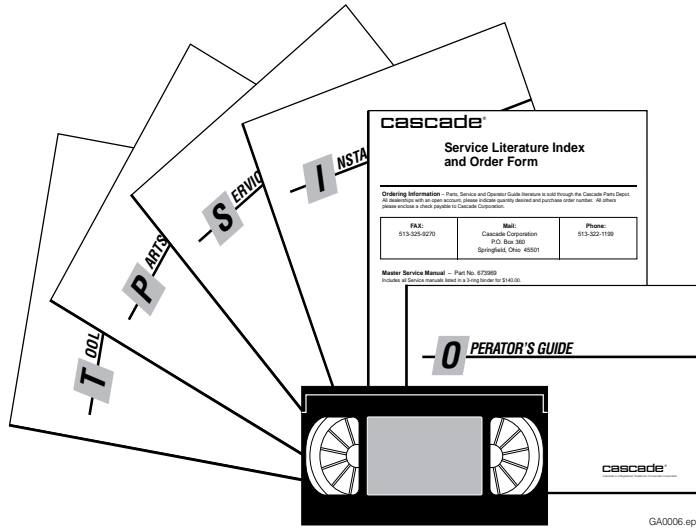
To Order Parts call: 888-227-2233, Fax: 888-329-0234

OR

Write: Cascade Corporation, P.O. Box 20187, Portland, OR 97220

Internet: www.cascorp.com

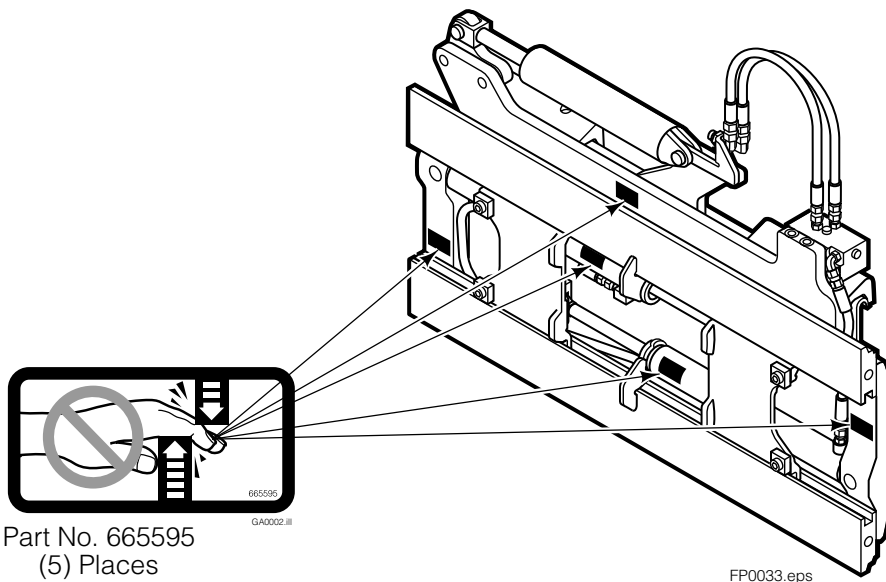
Publications



GA0006.eps

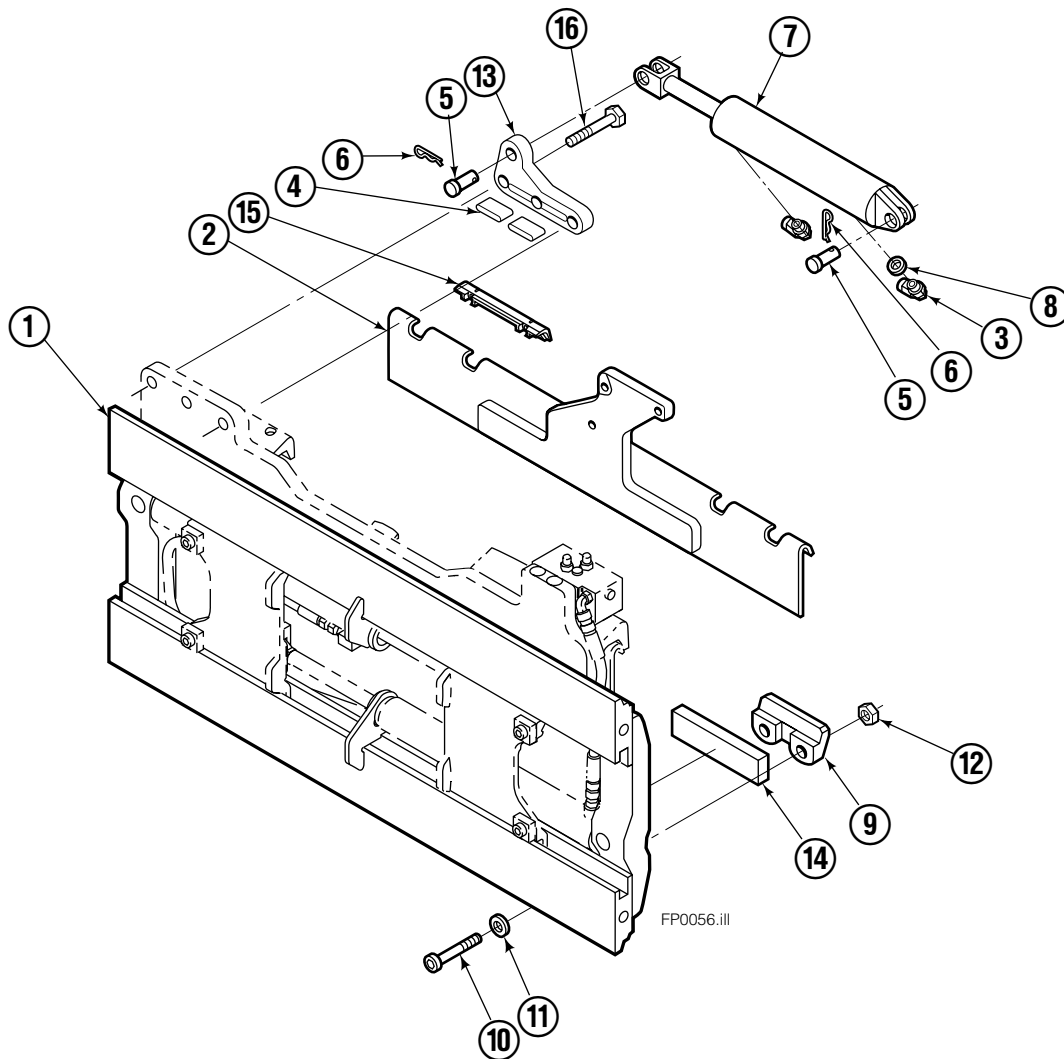
100F	
PART NO.	DESCRIPTION
	Parts Manual
208743	Service Manual
688261	Operators Guide
207363	Installation Instructions
680664	Servicing Cascade Cylinders-VHS
679929	Tool Catalog
673964	Literature Index Order Form

Safety Decals



FP0033.eps

Mounting Group Sideshifting

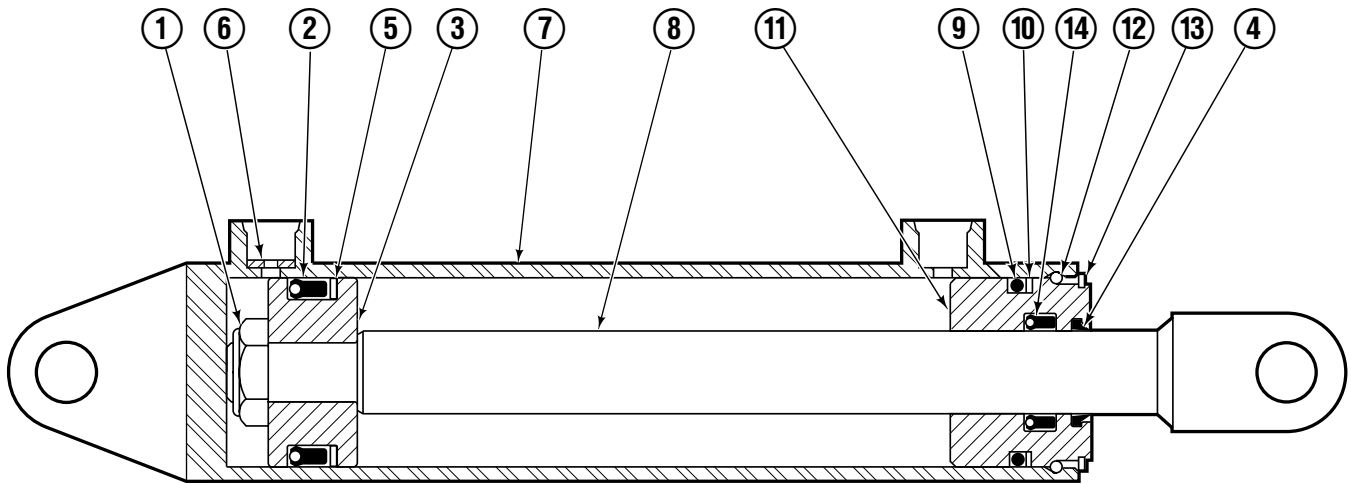


Reference:
BC-106
SK-6042
2S-4096

100F							
REF	QTY	PART NO.	DESCRIPTION	REF	QTY	PART NO.	DESCRIPTION
		8485-11	Sideshifting Mounting-49" ■ ●	9	2	6004779	Lower Hook
1	1	8476-12	Frame-49" ■	10	4	752903	Cap screw, M16x45
2	1	8484-1	Anchor Bracket-49" ■	11	4	667225	Washer
3	2	601676	Fitting, 6-6	12	4	678990	Nut, M16
4	2	209542	Key	13	1	209309	Lug
5	2	678528	Clevis Pin	14	2	208350	Lower Bearing
6	2	672726	Hairpin Cotter	15	2	672018	Upper Bearing
7	1	676649	Cylinder Assembly ◆	16	3	752907	Cap screw, M20x50 Lg-8.8
8	1	675550	Washer (orifice .085)				

- Carriage width.
- Includes items 2 through 17.
- ◆ See Cylinder page for parts breakdown.

Sideshift Cylinder

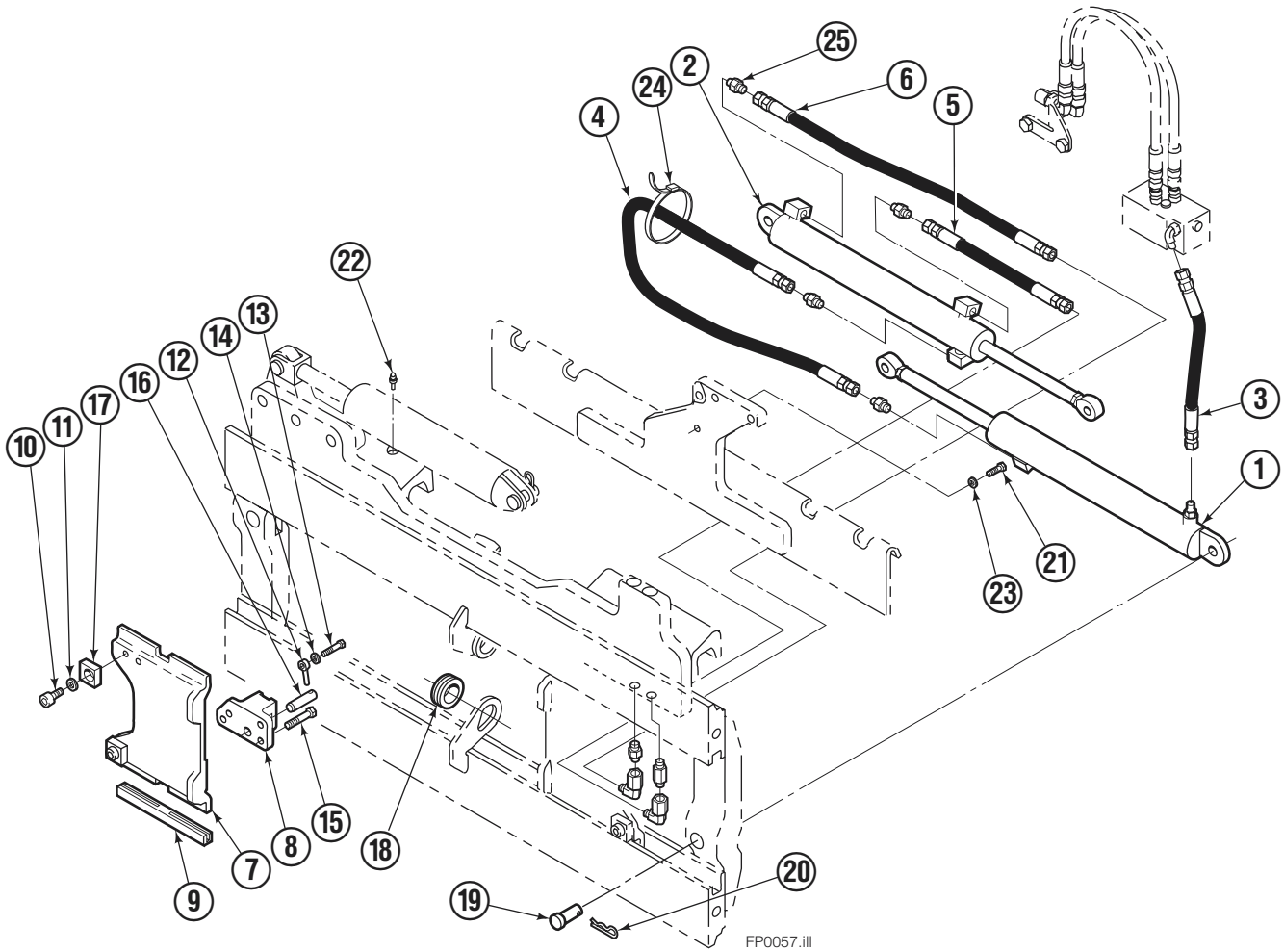


FP0029.ill

REF	QTY	PART NO.	DESCRIPTION
		676649	Cylinder Assembly
1	1	553717	Nut
■ 2	1	662456	Seal
3	1	553527	Piston
■ 4	1	636852	Wiper
■ 5	1	649817	Back-up Ring
6	1	675550	Washer (orifice .085)
7	1	676776	Shell
8	1	553530	Rod
■ 9	1	2789	O-Ring
■ 10	1	615132	Back-up Ring
11	1	553528	Retainer
12	1	553688	Retaining Ring
13	1	7211	Snap Ring
■ 14	1	662447	Seal
		553866	Service Kit

■ Included in Service Kit 553866.

Hydraulic/Fork Group



FP0057.ill

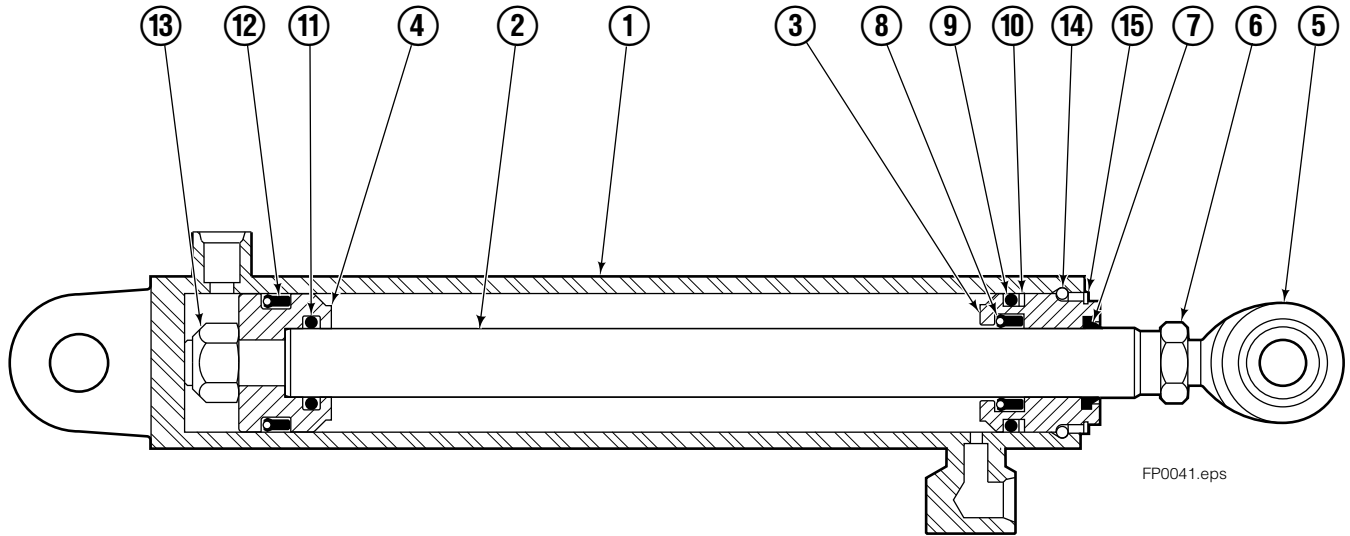
100F

REF	QTY	PART NO.	DESCRIPTION	REF	QTY	PART NO.	DESCRIPTION
		●379209	Hydraulic Group-49" ■	13	2	763169	Capscrew
		□209502	Fork Group	14	2	680217	Lockwasher
◆1	1	209487	Cylinder Assembly L. H. 49" ■	15	8	681370	Capscrew
▼2	1	209494	Cylinder Assembly R. H. 49" ■	16	2	209308	Pin
3	1	204224	Hose-49" ■	17	4	209306	Block
4	1	209522	Hose-49" ■	18	2	209305	Grommet
5	1	209528	Hose-49" ■	19	2	661675	Clevis Pin
6	1	209530	Hose-49" ■	20	2	672726	Hairpin Cotter
7	2	209391	Fork Carrier	21	1	763022	Capscrew
8	2	209280	Lug	22	2	7403	Grease Fitting
9	4	209303	Bearing	23	1	681238	Lockwasher
10	4	768838	Capscrew	24	1	200008	Cable Tie
11	4	678992	Lockwasher	25	5	604511	Fitting, 6-6
12	2	206923	Eyebolt				

- Carriage width.
- ◆ See L.H. Cylinder page for parts breakdown.
- ▼ See R.H. Cylinder for parts breakdown.

- Includes items 1 through 6.
- Includes items 7 through 25.

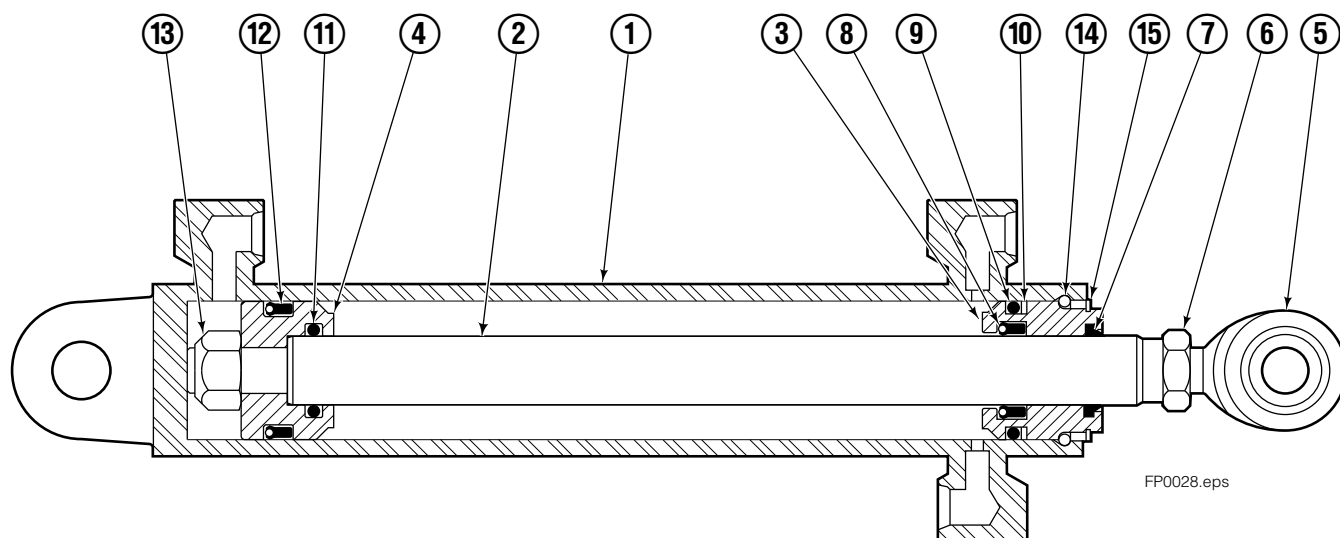
Left Hand Cylinder



100F			
REF	QTY	PART NO.	DESCRIPTION
		209487	Cylinder Assembly - 49" ■
1	1	564487	Shell - 49" ■
2	1	564494	Rod - 49" ■
3	1	564451	Retainer
4	1	562056	Piston
5	1	564452	Rod End
6	1	5721	Nut
● 7	1	564408	Rod Wiper
● 8	1	564406	Rod Seal
● 9	1	562127	O-Ring
● 10	1	563388	Back-up Ring
● 11	1	563278	O-Ring
● 12	1	564141	Piston Seal
13	1	678019	Piston Nut
14	1	562942	Retaining Ring
15	1	562951	Snap Ring
16	1	---	Spacer
		564453	Service Kit

- Carriage width.
- Included in Service Kit 564453.

Right Hand Cylinder



FP0028.eps

100F			
REF	QTY	PART NO.	DESCRIPTION
		209494	Cylinder Assembly-49" ■
1	1	564501	Shell-49" ■
2	1	564494	Rod-49" ■
3	1	564451	Retainer
4	1	562056	Piston
5	1	564452	Rod End
6	1	5721	Nut
● 7	1	564408	Rod Wiper
● 8	1	564406	Rod Seal
● 9	1	562127	O-Ring
● 10	1	563388	Back-up Ring
● 11	1	563278	O-Ring
● 12	1	564141	Piston Seal
13	1	678019	Piston Nut
14	1	562942	Retaining Ring
15	1	562951	Snap Ring
16	1	---	Spacer
		564453	Service Kit

■ Carriage width.

● Included in Service Kit 564453.

Flow Divider Group

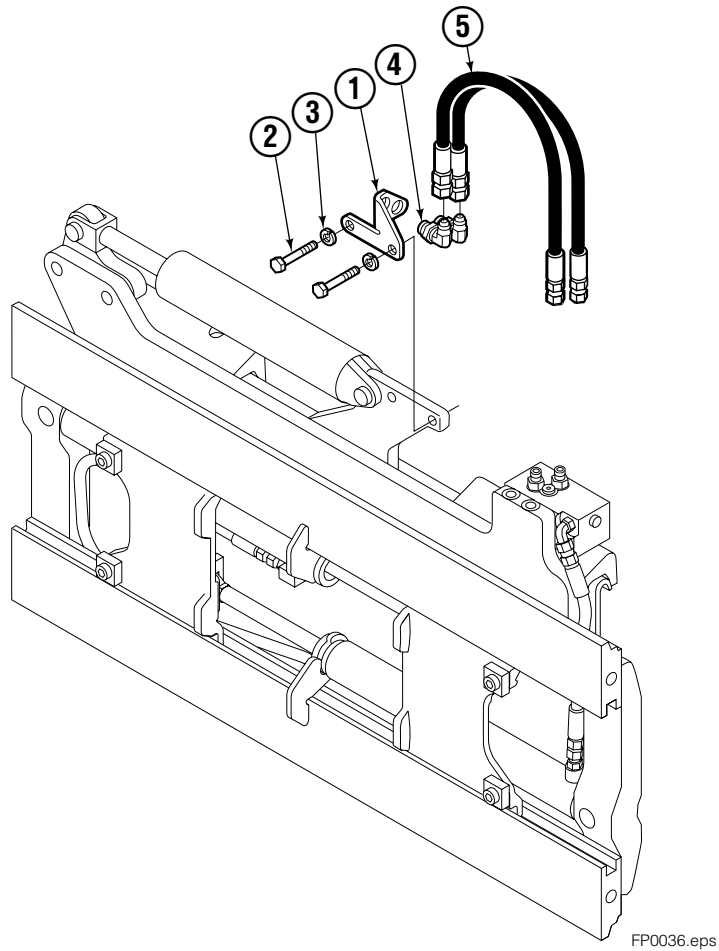


FP0035.iii

100F			
REF	QTY	PART NO.	DESCRIPTION
		209504	Flow Divider Group
1	1	209310	Valve ■
2	1	209311	Valve Body
3	1	201527	Cartridge-Combiner
4	2	663694	Fitting, 3
5	2	604511	Fitting, 6-6
6	1	601676	Fitting, 6-6
7	1	679992	Service Kit
8	3	685105	Capscrew
9	3	678993	Lockwasher
10	2	207300	O-Ring
11	1	604511	Fitting, 6-6
12	2	2680	Fitting, 6-6
13	2	604510	Fitting, 6
14	1	605743	Fitting, 6-6

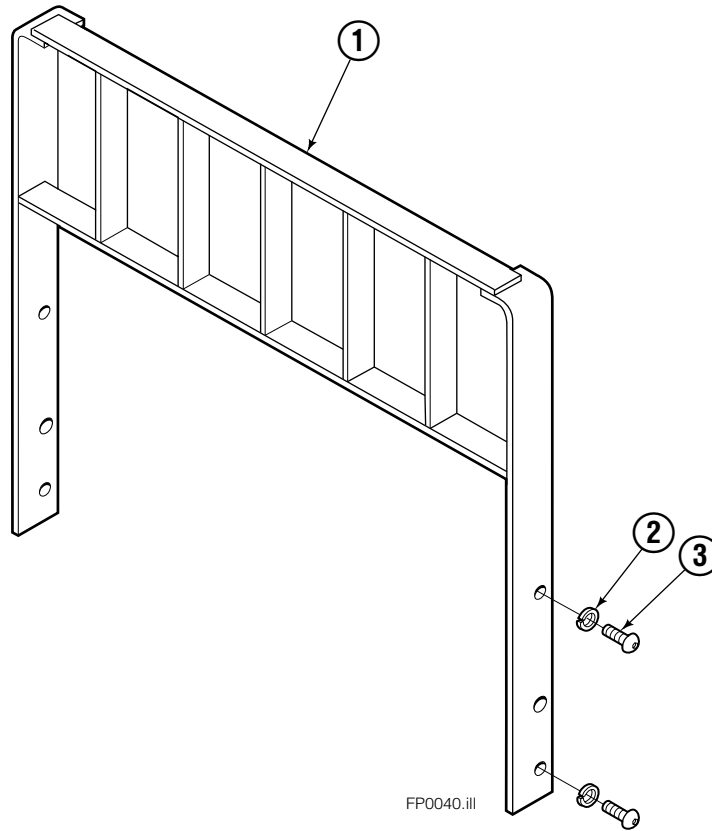
■ Includes items 1 through 7.

Standard Installation Group



100F			
REF	QTY	PART NO.	DESCRIPTION
		209506	Installation Group
1	1	207314	Bracket
2	2	762899	Capscrew, M10X20-8.8
3	2	681238	Lockwasher
4	2	2453	Fitting, 8-8
5	2	207425	Hose

Backrests



100F			
REF	QTY	PART NO.	DESCRIPTION
1	1	209475	Backrest-49"x48" in.(1245x1219 mm)■
2	4	684586	Lockwasher
3	4	200173	Capscrew

■ Width by Height.
Reference: S-4098.

Do you have questions you need answered right now? Call your nearest Cascade Parts Department. Visit us online at www.cascorp.com

Cascade Corporation
2501 Sheridan Avenue
Springfield, OH 45505
Tel: 888-CASCADE (227-2233)
FAX: 888-329-0234

Cascade Canada Inc.
5570 Timberlea Blvd.
Mississauga, Ontario
Canada L4W-4M6
Tel: 905-629-7777
FAX: 905-629-7785

Cascade GmbH
D-41199 Monchengladbach
Klosterhofweg 52
Germany
Tel: 49-216-668230
FAX: 49-216-6682323

Cascade Finland
Albert Petreliuksenkatu 3
01370 Vantaa
Finland
Tel: 358-9-836-1925
FAX: 358-9-836-1935

**Cascade N.V.
European Headquarters**
P.O. Box 3009
1300 El Almere
Damluisweg 56
1332 ED Almere
The Netherlands
Tel: 31-36-5492911
FAX: 31-36-5492964

**Cascade N.V.
Benelux Sales and Service**
P.O. Box 3009
1300 El Almere
Damluisweg 56
1332 ED Almere
The Netherlands
Tel: 31-36-5492950
FAX: 31-36-5492974

Cascade (UK) Ltd.
15, Orgreave Crescent
Dore House Industrial Estate
Handsworth
Sheffield S13 9NQ
England
Tel: 742-697524
FAX: 742-695121

Cascade Scandinavia AB
Box 124
Hammarvägen 10
567 23 Vaggeryd
Sweden
Tel: 42-0-393-36950
FAX: 46-0-393-36959

Cascade Norway
Østerliveien 37A
1153 Oslo
Norway
Tel: 47-22-743160
FAX: 47-22-743157

Cascade France S.A.R.L.
1D Rue De Charaintru
BP 18, 91360 Epinay-Sur-Orge
Morangis Cedex, France
Tel: 33-1- 64547500
FAX: 33-1-64547501

Cascade Hispania S.A.
Carrer 5 Sector C
Zona Franca Duanera
Poligono de la Zon Franca
08040 Barcelona, Spain
Office No. 256
Tel: 93-264-07-30
FAX: 93-264-07-31

Cascade Japan Ltd.
5-5-41,
Torikai Kami
Settsu, Osaka
Japan, 566
Tel: 81-726-53-3490
FAX: 81-726-53-3497

Cascade Korea
108B, Namdong Ind Complex
658-3 Gojan-Dong
Namdong-Gu
Inchon, 405-310 Korea
Tel: 82-32-821-2051
FAX: 82-32-821-2055

Cascade Australia
1445 Ipswich Road
Rocklea, QLD 4106
Australia
Tel: 1-800227-223
FAX: (07) 3373-7333

Cascade New Zealand
15 Ra Ora Drive
East Tamaki, Auckland
New Zealand
Tel: 9-273-9136
FAX: 9-273-9137

Cascade (Africa) Pty. Ltd.
P.O. Box 625, Isando 1600
60A Steel Road
Sparton, Kempton Park
South Africa
Tel: 27-11-975-9240
FAX: 27-11-394-1147

Cascade-Xiamen
No. 668 Yangguang Rd.
Xinyang Industrial Zone
Haicang, Xiamen City
Fujian Province
P.R. China 361026
Tel: 86-592-651-2500
FAX: 86-592-651-2571

**Cascade (Singapore)
Trading Co.**
Four Seasons Park
Autumn Block - Apt. 1802
12 Cuscaden Walk
Singapore
Tel: 65-834-1935
FAX: 65-834-1936

