



# Parts Manual

---

Model 150H Sideshifter

Serial Number 150D-FPS-106

---

**cascade**<sup>®</sup>  
corporation

**For Technical Assistance call:** 800-227-2233, Fax: 888-329-8207

**To Order Parts call:** 888-227-2233, Fax: 888-329-0234

**OR**

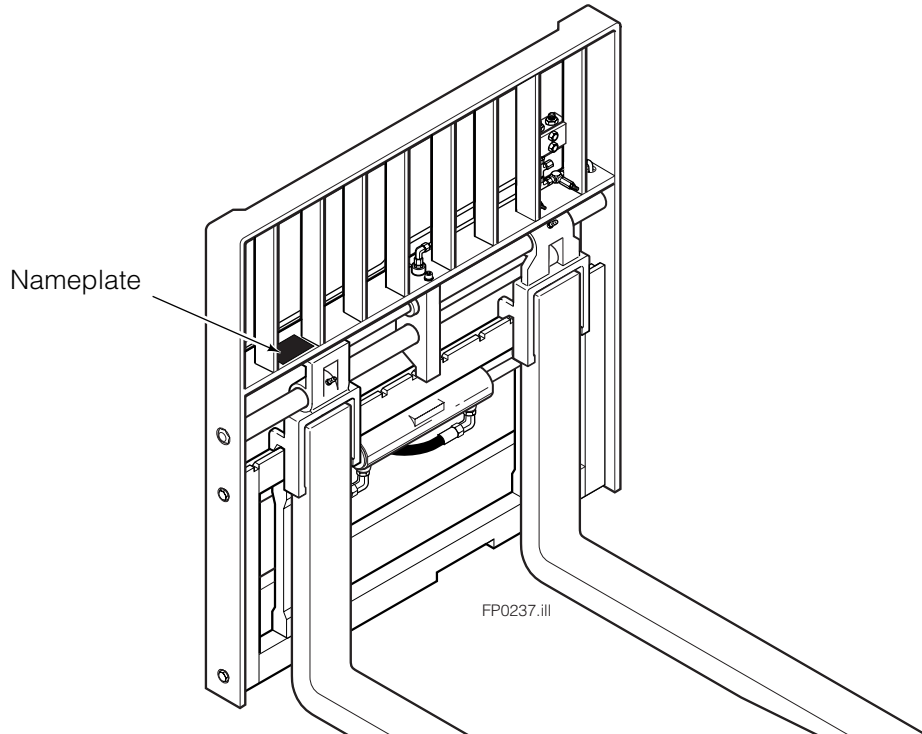
**Write:** Cascade Corporation, P.O. Box 20187, Portland, OR 97220

**Internet:** [www.cascorp.com](http://www.cascorp.com)

# About This Manual

## Introduction

This manual shows the parts breakdown for the 150H Fork Positioner. The nameplate is located on the right side of the backrest. If the nameplate is missing all necessary information is stamped into the backrest at the same location. The serial number on the nameplate must be supplied when ordering replacement parts for this product.



## Ordering Parts

**Customers** – Cascade parts and service literature is available through authorized lift truck dealers. To place an order, contact the lift truck dealer of your choice.

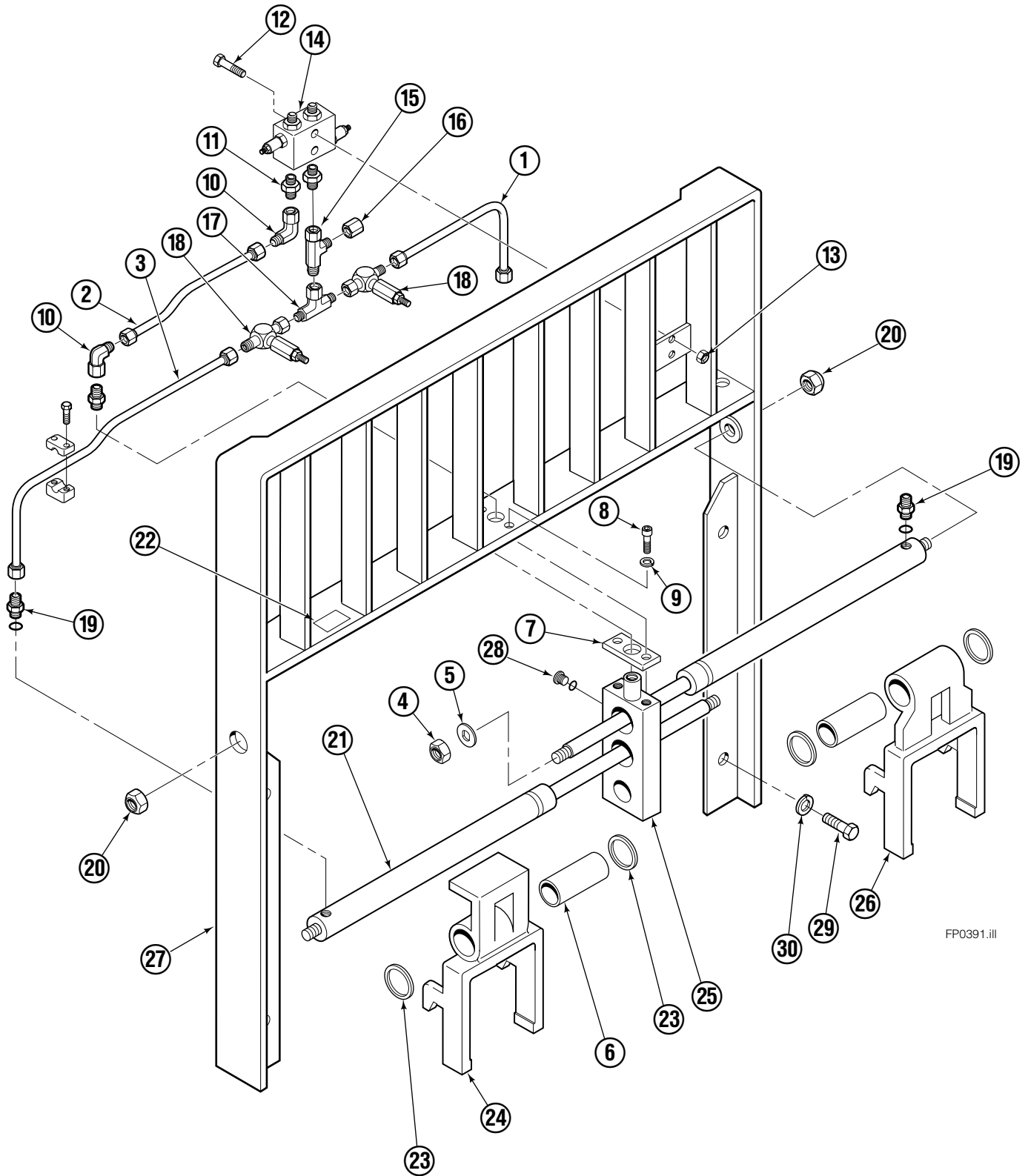
**Lift Truck Dealers** – To order parts and service literature contact:

**Cascade Parts Sales**  
2501 Sheridan Avenue  
Springfield, OH 45505  
Tel: 888-CAS-CADE (227-2233)  
FAX: 888-329-0234



**WARNING:** For the safety of yourself and others, DO NOT install the parts shown in this Manual unless you have thoroughly reviewed the appropriate Service Manual.

# Hydraulic/Fork Group



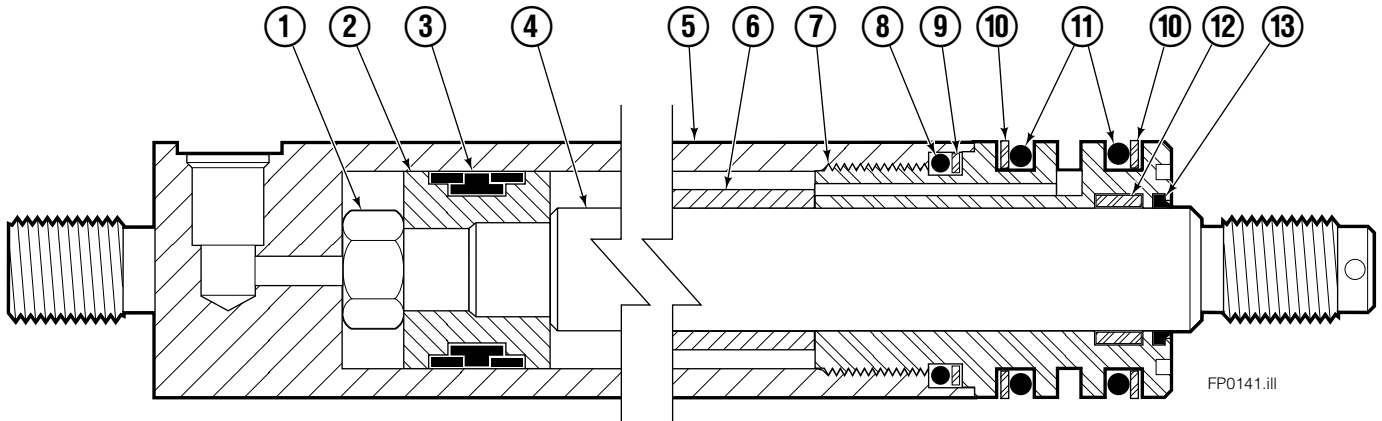
FP0391.iii

# Hydraulic/Fork Group

150H			
REF	QTY	PART NO.	DESCRIPTION
1	1	117443	Tube
2	1	117446	Tube
3	1	117447	Tube
4	2	022126	Nut
5	2	116766	Washer
6	2	150043	Bushing
7	1	111757	Shim
8	2	084138	Capscrew
9	2	024514	Washer
10	2	026297	Fitting
11	4	028515	Fitting
12	2	080636	Capscrew
13	2	022054	Nut
14	1	105627	Relief Valve (Sun YFV 9LF5)
15	1	026255	Fitting
16	3	025920	Cap
17	1	026269	Fitting
18	2	109799	Flow Restrictor
19	2	026006	Fitting
20	2	020525	Nut
21	2	119960	Cylinder
22	1	107050	Nameplate
23	4	031197	Retainer
24	1	116922	Fork Pocket-RH
25	1	111154	Support Block
26	2	116923	Fork Pocket-LH
27	1	117501	Load Guard
28	1	026131	Plug
29	1	080684	Capscrew
30	4	024515	Lockwasher

Reference: 11.99.59

# Cylinder

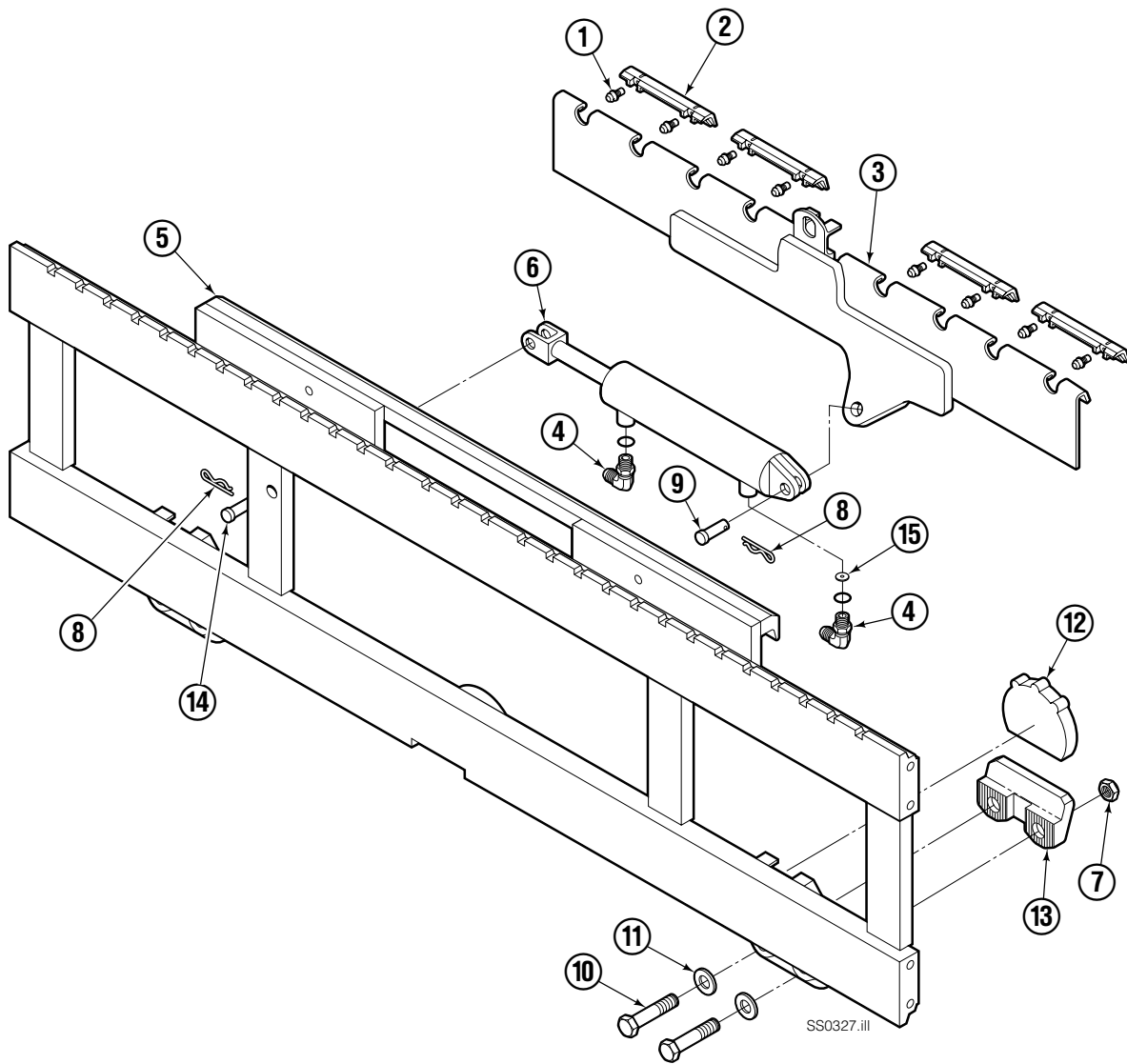


FP0141.iil

150H			
REF	QTY	PART NO.	DESCRIPTION
		119960	Cylinder Assembly
1	2	020507	Nut
2	1	111157	Piston
3	1	111167	Piston Seal ●
4	1	116931	Rod
5	1	111823	Shell
6	1	116932	Spacer
7	1	116928	Gland
8	1	050221	O-Ring ●
9	1	051221	Back-up Ring ●
10	2	051223	Back-up Ring ●
11	1	050223	O-Ring ●
12	1	111168	Rod Seal ●
13	1	102846	Wiper Ring ●

● Included in Service Kit 111173.

# Sideshifter Group

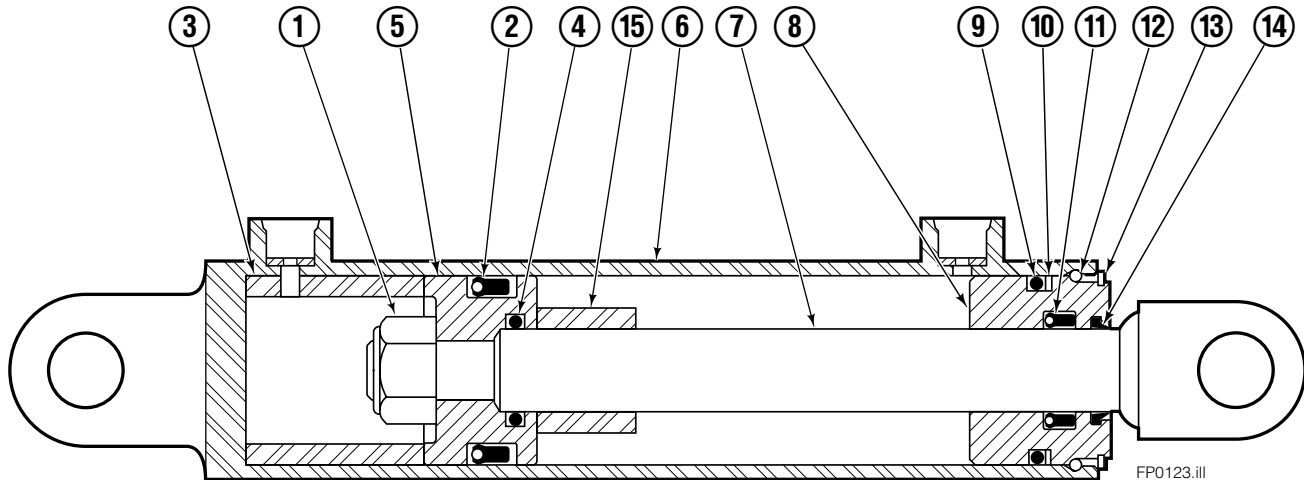


150D			
REF	QTY	PART NO.	DESCRIPTION
1	4	7403	Grease Fitting
2	4	672018	Bearing Segment
3	1	686240	Anchor Bracket
4	2	601676	Fitting, 6-6
5	1	6010607	Faceplate ■
6	1	686243	Cylinder Assembly ▲
7	4	553857	Nut
8	2	686217	Cotter Pin
9	1	686215	Clevis Pin
10	4	638601	Capscrew, 5/8 NC x 2.00 GR5
11	4	667225	Washer
12	3	676650	Lower Bearing
13	2	678034	Lower Hook
14	1	686214	Clevis Pin
15	2	564226	Washer - Restrictor
		672022	Service Kit - Items 1&2
		675856	Service Kit - Item 12

■ If the Faceplate needs replacing, your best value is to order the complete Sideshifter Assembly.

▲ See Cylinder page for parts breakdown.

# Sideshift Cylinder



REF	QTY	PART NO.	DESCRIPTION
		686243	Cylinder Assembly
1	1	561012	Nut
■ 2	1	662457	Seal
3	1	564562	Spacer – Head
■ 4	1	2718	O-Ring
5	1	561427	Piston
6	1	561419	Shell
7	1	561422	Rod
8	1	561428	Retainer
■ 9	1	2791	O-Ring
■ 10	1	615134	Back-up Ring
■ 11	1	662449	Seal
12	1	561429	Retaining Ring
13	1	7215	Snap Ring
■ 14	1	626468	Wiper
15	1	---	Spacer – Rod
		561430	Service Kit

■ Included in Service Kit 561430.

Ref: S-6053, S-6054

**Do you have questions you need answered right now?** Call your nearest Cascade Parts Department.

**Cascade Corporation**

2501 Sheridan Avenue  
Springfield, OH 45505  
Tel: 888-CASCADE (227-2233)  
FAX: 888-329-0234  
www.cascorp.com

**Cascade Canada Inc.**

5570 Timberlea Blvd.  
Mississauga, Ontario  
Canada L4W-4M6  
Tel: 905-629-7777  
FAX: 905-629-7785

**Cascade GmbH**

D-41199 Monchengladbach  
Klosterhofweg 52  
Germany  
Tel: 49-216-668230  
FAX: 49-216-6682323

**Cascade Finland**

Albert Petreliuksenkatu 3  
01370 Vantaa  
Finland  
Tel: 358-9-836-1925  
FAX: 358-9-836-1935

**Cascade N.V.  
European Headquarters**

P.O. Box 3009  
1300 El Almere  
Damluisweg 56  
1332 ED Almere  
The Netherlands  
Tel: 31-36-5492911  
FAX: 31-36-5492964

**Cascade N.V.  
Benelux Sales and Service**

P.O. Box 3009  
1300 El Almere  
Damluisweg 56  
1332 ED Almere  
The Netherlands  
Tel: 31-36-5492950  
FAX: 31-36-5492974

**Cascade (UK) Ltd.**

15, Orgreave Crescent  
Dore House Industrial Estate  
Handsworth  
Sheffield S13 9NQ  
England  
Tel: 742-697524  
FAX: 742-695121

**Cascade Scandinavia AB**

Box 124  
Hammarvägen 10  
567 23 Vaggeryd  
Sweden  
Tel: 42-0-393-36950  
FAX: 46-0-393-36959

**Cascade Norway**

Østerliveien 37A  
1153 Oslo  
Norway  
Tel: 47-22-743160  
FAX: 47-22-743157

**Cascade France S.A.R.L.**

1D Rue De Charaintru  
BP 18, 91360 Epinay-Sur-Orge  
Morangis Cedex, France  
Tel: 33-1- 64547500  
FAX: 33-1-64547501

**Cascade Hispania S.A.**

Carrer 5 Sector C  
Zona Franca Duanera  
Poligono de la Zon Franca  
08040 Barcelona, Spain  
Office No. 256  
Tel: 93-264-07-30  
FAX: 93-264-07-31

**Cascade Japan Ltd.**

5-5-41,  
Torikai Kami  
Settsu, Osaka  
Japan, 566  
Tel: 81-726-53-3490  
FAX: 81-726-53-3497

**Cascade Korea**

108B, Namdong Ind Complex  
658-3 Gojan-Dong  
Namdong-Gu  
Inchon, 405-310 Korea  
Tel: 82-32-821-2051  
FAX: 82-32-821-2055

**Cascade Australia**

1445 Ipswich Road  
Rocklea, QLD 4106  
Australia  
Tel: 1-800227-223  
FAX: (07) 3373-7333

**Cascade New Zealand**

15 Ra Ora Drive  
East Tamaki, Auckland  
New Zealand  
Tel: 9-273-9136  
FAX: 9-273-9137

**Cascade (Africa) Pty. Ltd.**

P.O. Box 625, Isando 1600  
60A Steel Road  
Sparton, Kempton Park  
South Africa  
Tel: 27-11-975-9240  
FAX: 27-11-394-1147

**Cascade-Xiamen**

No. 668 Yangguant Rd.  
Xinyang Industry Zone  
Haicant, Xiamen City  
Fujian Province  
P.R. China 361026  
Tel: 86-592-651-2500  
FAX: 86-592-651-2571

**Cascade (Singapore)  
Trading Co.**

Four Seasons Park  
Autumn Block - Apt. 1802  
12 Cuscaden Walk  
Singapore  
Tel: 65-834-1935  
FAX: 65-834-1936

