



Parts Manual

Model _____ **Carton Clamp**

Serial Number _____ **30E-CCS-184**

cascade®
corporation

For Technical Assistance call: 800-227-2233, Fax: 888-329-8207

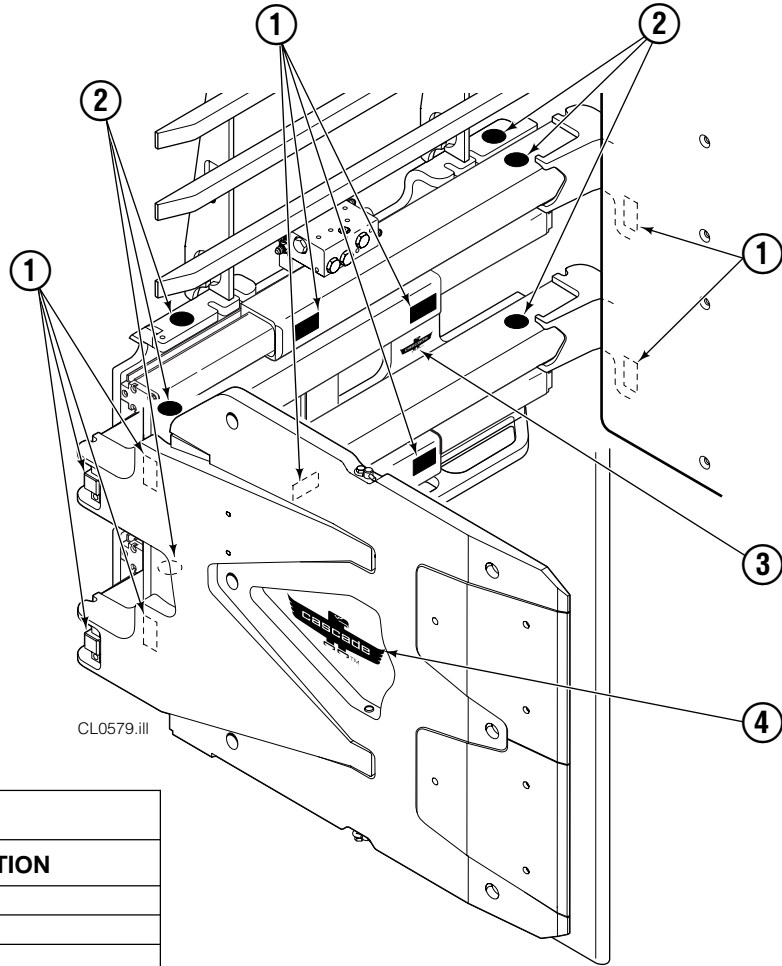
To Order Parts call: 888-227-2233, Fax: 888-329-0234

OR

Write: Cascade Corporation, P.O. Box 20187, Portland, OR 97220

Internet: www.cascorp.com

Decals



CL0579.ill

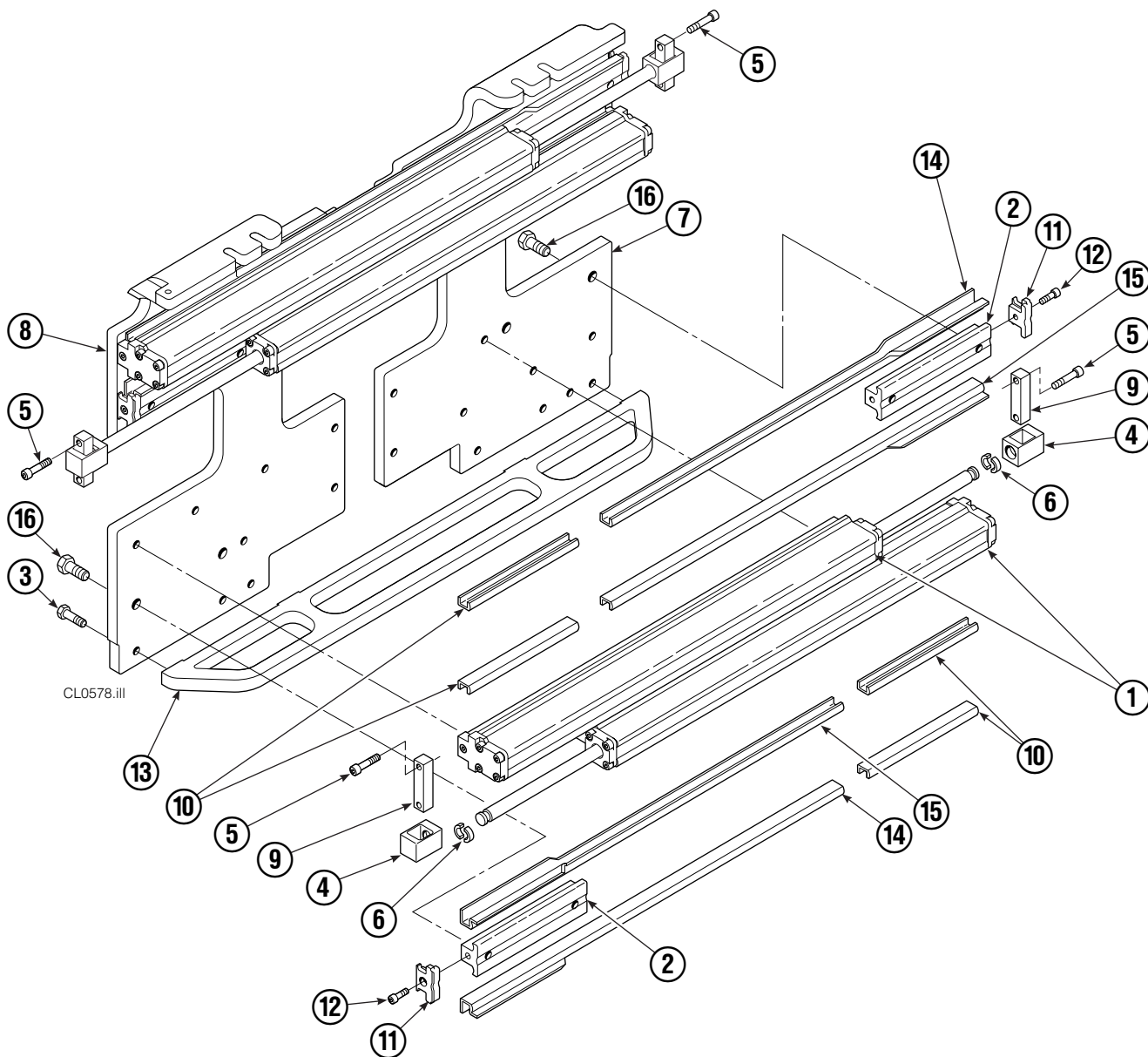
30E			
REF	QTY	PART NO.	DESCRIPTION
1	12	665595	No Hand Hold Decal
2	6	679150	No Step Decal
3	1	211274	Eagle - 80 mm
4	2	211276	Eagle - 240 mm

Publications



30E	
PART NO.	DESCRIPTION
	Parts Manual
215204	Service Manual
210273	Operator's Guide
212116	Installation Instructions
679929	Tool Catalog
673964	Literature Index Order Form

Base Unit Group



30E							
REF	QTY	PART NO.	DESCRIPTION	REF	QTY	PART NO.	DESCRIPTION
		217495	Base Unit Group	9	4	210489	Rod End Anchor ●
1	4	210117	Cylinder ▲	10	8	213735	Bearing Spacer
2	4	217001	T-Bar	11	4	210140	Bearing Retainer
3	28	211689	Capscrew, M12 x 30 GR 10.9	12	4	787375	Capscrew, M8 x 20
4	4	209741	Rod End ●	13	1	212500	Bumper
5	8	768303	Capscrew, M10 x 35 ●	14	4	209120	Bearing
6	8	210490	Retainer Half Ring ●	15	4	209119	Bearing
7	1	216997	Baseplate – LH	16	8	211128	Capscrew, M16 x 30 GR 10.9
8	1	216998	Baseplate – RH			213856	Service Kit

▲ See Cylinder page for parts breakdown.

● Included in Cylinder Rod Anchor Kit 213856.

Reference: SK-6089.

Cylinder



30E							
REF	QTY	PART NO.	DESCRIPTION	REF	QTY	PART NO.	DESCRIPTION
		210117	Cylinder Assembly	8	2	210053	O-Ring ▲
1	1	210118	Cylinder/Shell	9	2	210050	Back-Up Ring ▲
2	1	4157-820	Rod	10	1	212477	Seal ▲
3	1	213783	Cap	11	1	209808	Seal ▲
4	8	768208	Capscrew, M8 x 25	12	2	214053	O-Ring ▲
5	1	209809	Bearing ▲	13	1	562131	Wiper ▲
6	1	787375	Capscrew, M8 x 20			210090	Service Kit
7	1	212452	Retainer				

▲ Included in Service Kit 210090.

Reference: S-4644, S-4643.

Hydraulic Group



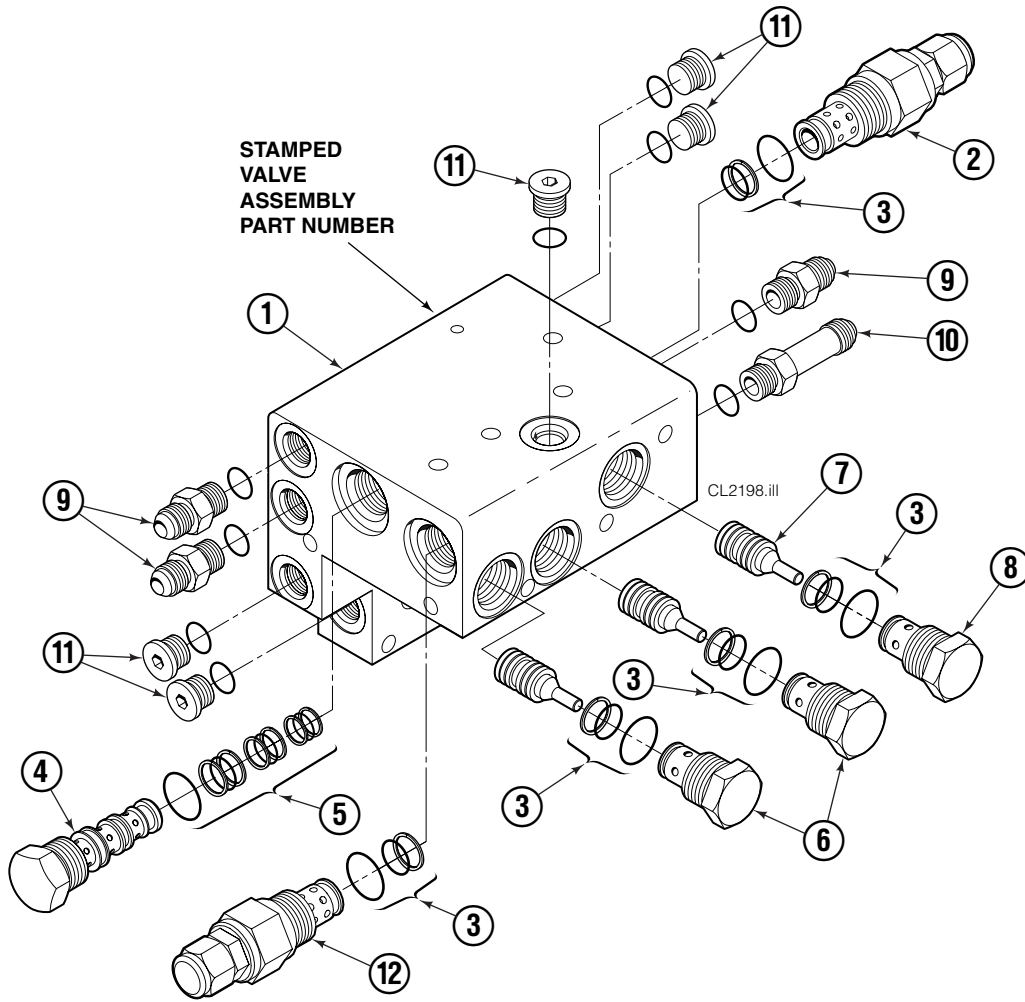
30E			
REF	QTY	PART NO.	DESCRIPTION
		215872	Hydraulic Group
		212983	Manifold Group
1	1	215873	Valve Assembly ▲
2	6	768208	Capscrew, M8 x 25
3	2	768797	Capscrew, M8 x 40
4	2	768800	Capscrew, M8 x 60
5	11	214053	O-Ring, 90 Durometer
6	1	212974	Manifold

▲ See Valve page for parts breakdown,
part number stamped on valve.

Reference: SK-6090.

Valve

Sideshifting Without Regeneration

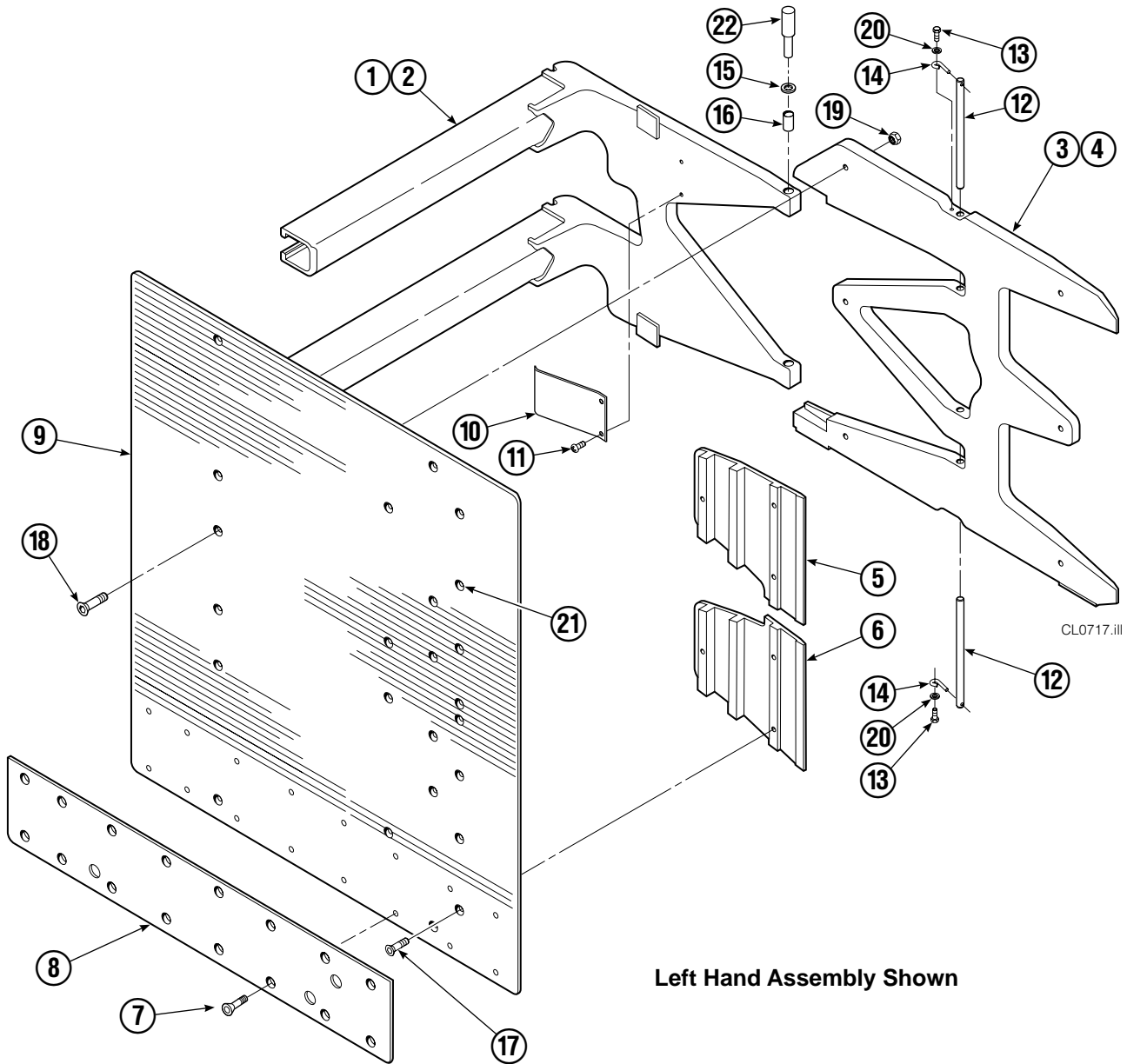


REF	QTY	PART NO.	DESCRIPTION
		215873	Valve Assembly
1	1	215874	Valve Body
2	1	214405	Crossover Relief Valve
3	5	682170	Seal Kit ▲
4	1	210266	Flow Divider/Combiner
5	1	679992	Seal Kit ▲
6	2	209847	Check Valve
7	3	215756	Piston
8	1	6025134	Check Valve
9	3	604511	Fitting, 6-6 ●
10	1	605743	Fitting, 6-6 ●
11	5	604510	Fitting, 6
12	1	215876	Crossover Relief Valve
		210452	Valve Service Kit

▲ Included in Valve Service Kit 210452.

● Included in Fitting Group 212978.

Arms and Pads



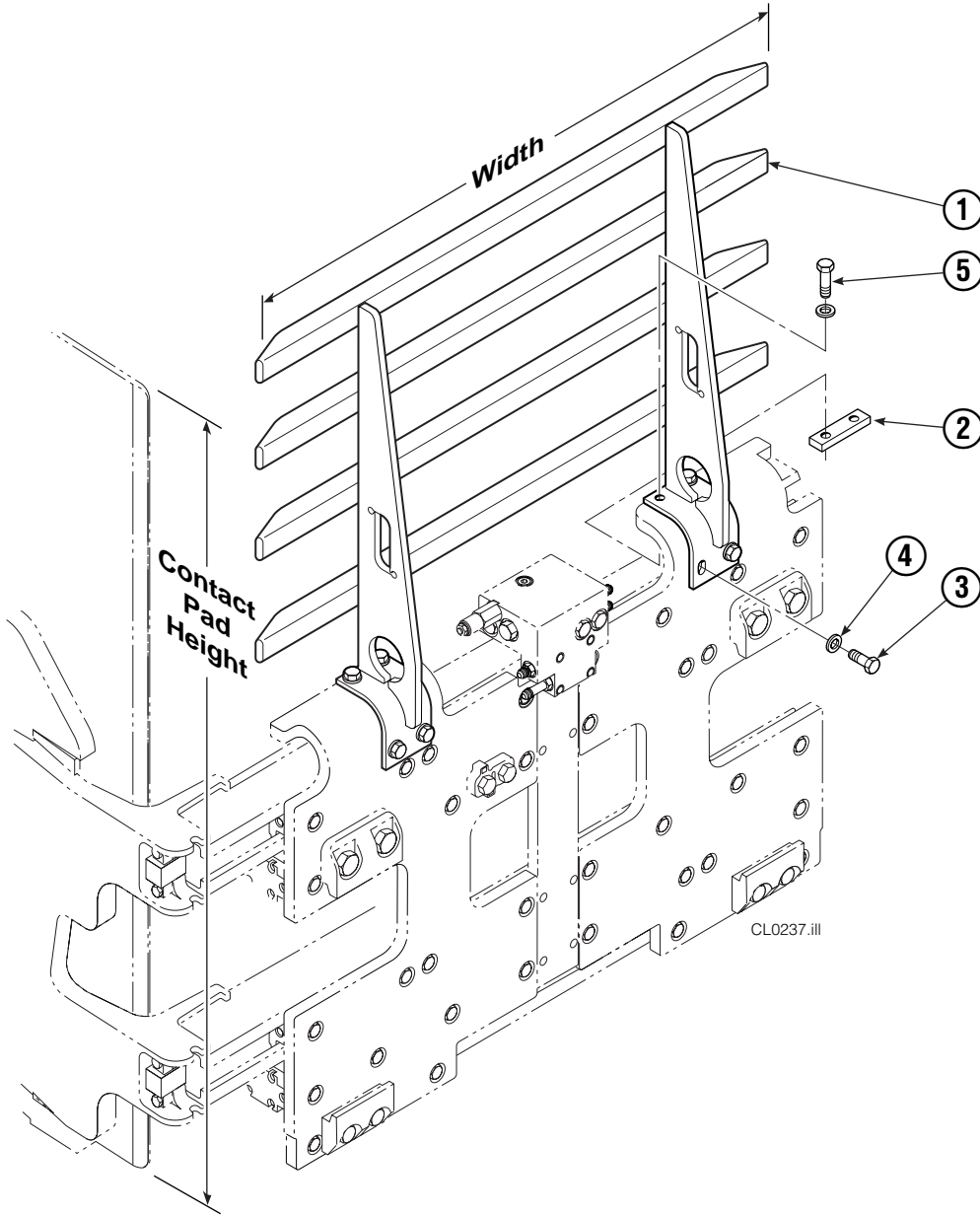
Left Hand Assembly Shown

30E							
REF	QTY	PART NO.	DESCRIPTION	REF	QTY	PART NO.	DESCRIPTION
		3000470	Contact Pad Group (Items 7-9)	11	4	203405	Cap screw, M10 x 16
1	1	212053	Arm – LH	12	4	210161	Pin
2	1	212054	Arm – RH	13	4	787372	Cap screw, M8 x 20
3	1	210402	Stabilizer – LH	14	4	682999	Eye Pin
4	1	210405	Stabilizer – RH	15	10	675620	Washer, M10
5	2	210183	Filler Block – LH Upper/RH Lower	16	8	200590	Bushing
6	2	210182	Filler Block – RH Lower/RH Upper	17	12	766646	Cap screw, M10 x 20
7	32	200504	Cap screw, M8 x 12	18	12	768706	Cap screw, M12 x 35
8	1	3000678	Wear Strip – LH	19	12	773842	Nut, M12
	1	3000675	Wear Strip – RH	20	4	787398	Washer, M8
9	1	3000677	Contact Pad – LH	21	▲	673841	Contact Pad Repair Kit
	1	3000674	Contact Pad – RH	22	1	675626	Tool – Bushing Drive
10	2	210154	Spring				

Reference: Stabilizer Group 210408,
Common Parts Group 210494.

▲ Repairs one hole.

Backrest Group

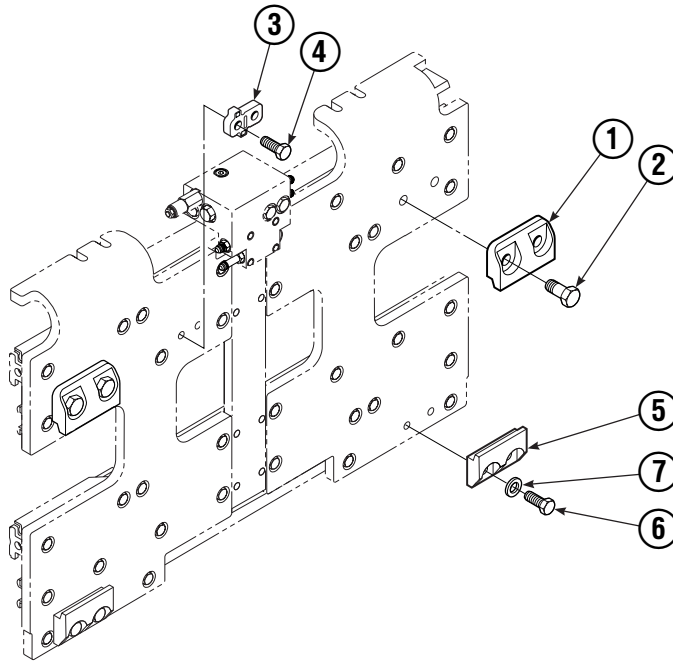


30E			
REF	QTY	PART NO.	DESCRIPTION
1	1	210534	Backrest ●
2	2	210155	Plate
3	4	211689	Capscrew, M12 x 30
4	8	667910	Washer, M12
5	4	206174	Capscrew, M12 x 45

● Backrest with Solenoid Adaption mounting.

Reference: Hardware Group 211448 (Items 2 thru 5), S-4265.

Bolt-On Mounting Group



CL0236.iii

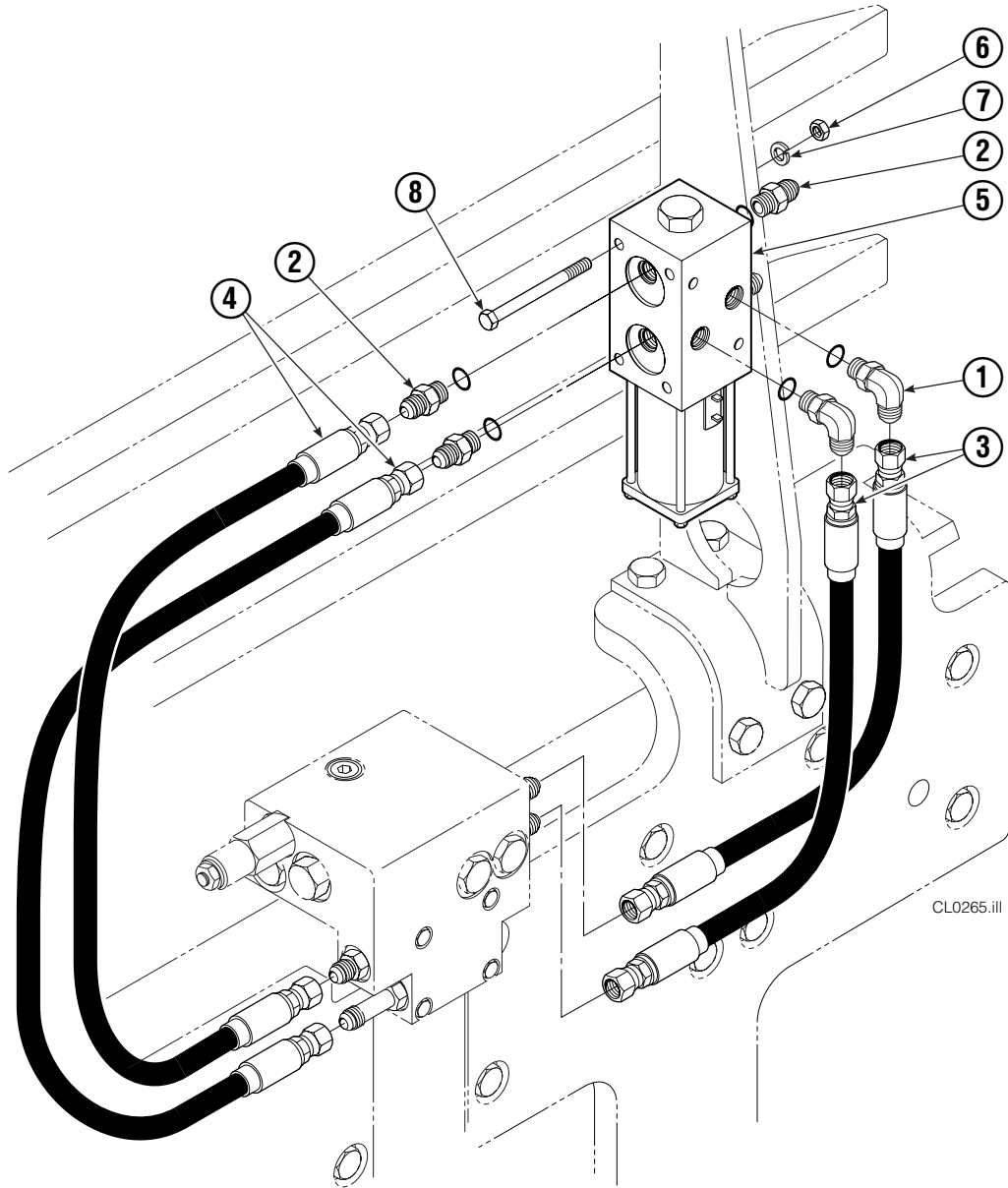
33E			
REF	QTY	ITA II	DESCRIPTION
		PART NO.	
		211162	Upper Mounting Group ▲
		6101101	Lower Mounting Group ●
1	2	210491	Upper Hook
2	4	768577	Capscrew, M20 x 35
3	1	212999	Center Key
4	2	211129	Capscrew, M16 x 35
5	2	675968	Lower Hook
6	4	211128	Capscrew, M16 x 30
7	4	667225	Washer, 5/8 in.

▲ Includes items 1–4.

● Includes items 4–6.

Reference: SK-6089.

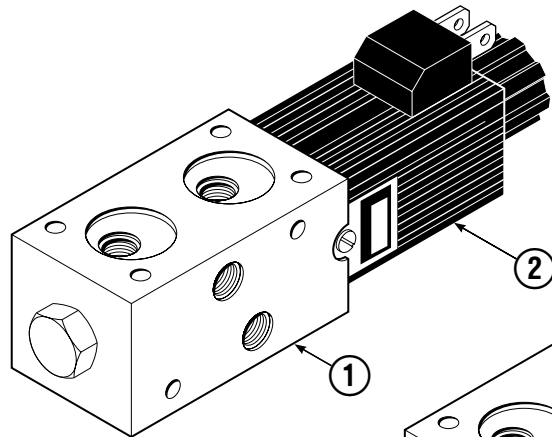
Solenoid Adaption Group



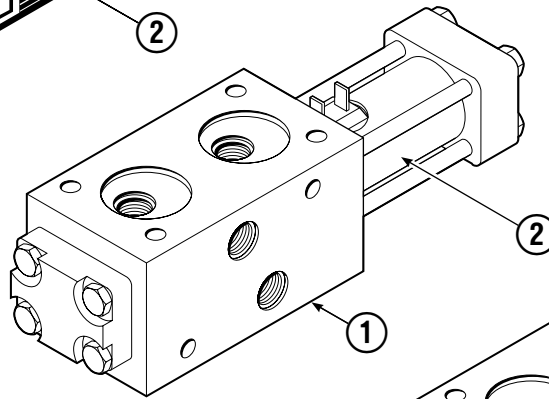
33E			
REF	QTY	PART NO.	DESCRIPTION
		211502	Solenoid Adaption Group
1	2	601676	Fitting, 6-6
2	4	604511	Fitting, 6-6
3	2	676084	Hose, 16 in.
4	2	675067	Hose, 34 in.
5	1	●	Solenoid Valve
6	2	767414	Nut, M8
7	2	787389	Lockwasher, M8
8	2	768535	Capscrew, M8 x 90

● See Solenoid Valve page for parts breakdown.
Reference: SK-6170.

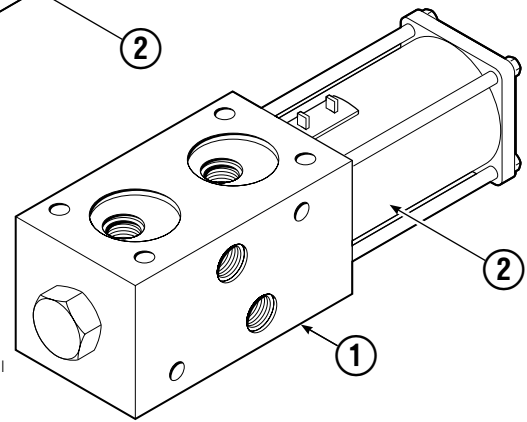
Solenoid Valves



**New Style
Waterman**



**Old Style
Waterman**



Racine

GA0074.iii

NOTE: The Waterman new style solenoid with black coil, Waterman old style solenoid and Racine solenoid valve assemblies are interchangeable as a unit. Replacement coils **must** match the valves. If one brand is preferred over another you must specify both the part number and brand name.

REF	QTY	New Style Waterman		Old Style		DESCRIPTION
		No. 6 SAE PART NO.	No. 8 SAE PART NO.	Waterman PART NO.	Racine PART NO.	
1	1	200585	200548	614089	614089	Solenoid Valve-12V
1	1	200586	200549	614091	614091	Solenoid Valve-24V
1	1	200587	200550	614092	614092	Solenoid Valve-36V
1	1	200588	200254	614093	614093	Solenoid Valve-48V
1	1	200540	—	614094	—	Solenoid Valve-72V
2	1	200255	200255	611458	665044	Coil-12V
2	1	200256	200256	611460	665045	Coil-24V
2	1	200257	200257	611461	665046	Coil-36V
2	1	200258	200258	614097	665047	Coil-48V
2	1	200542	—	614098	—	Coil-72V
		—	—	685072	685012	Service Kit

Do you have questions you need answered right now? Call your nearest Cascade Parts Department. Visit us online at www.cascorp.com

Cascade Corporation
2501 Sheridan Avenue
Springfield, OH 45505
Tel: 888-CASCADE (227-2233)
FAX: 888-329-0234

Cascade Canada Inc.
5570 Timberlea Blvd.
Mississauga, Ontario
Canada L4W-4M6
Tel: 905-629-7777
FAX: 905-629-7785

Cascade GmbH
D-41199 Monchengladbach
Klosterhofweg 52
Germany
Tel: 49-216-668230
FAX: 49-216-6682323

Cascade Finland
Albert Petreliuksenkatu 3
01370 Vantaa
Finland
Tel: 358-9-836-1925
FAX: 358-9-836-1935

**Cascade N.V.
European Headquarters**
P.O. Box 3009
1300 El Almere
Damsluisweg 56
1332 ED Almere
The Netherlands
Tel: 31-36-5492911
FAX: 31-36-5492964

**Cascade N.V.
Benelux Sales and Service**
P.O. Box 3009
1300 El Almere
Damsluisweg 56
1332 ED Almere
The Netherlands
Tel: 31-36-5492950
FAX: 31-36-5492974

Cascade (UK) Ltd.
15, Orgreave Crescent
Dore House Industrial Estate
Handsworth
Sheffield S13 9NQ
England
Tel: 742-697524
FAX: 742-695121

Cascade Scandinavia AB
Box 124
Hammarvägen 10
567 23 Vaggeryd
Sweden
Tel: 42-0-393-36950
FAX: 46-0-393-36959

Cascade Norway
Østerliveien 37A
1153 Oslo
Norway
Tel: 47-22-743160
FAX: 47-22-743157

Cascade France S.A.R.L.
1D Rue De Charaintru
BP 18, 91360 Epinay-Sur-Orge
Morangis Cedex, France
Tel: 33-1- 64547500
FAX: 33-1-64547501

Cascade Hispania S.A.
Carrer 5 Sector C
Zona Franca Duanera
Poligono de la Zon Franca
08040 Barcelona, Spain
Office No. 256
Tel: 93-264-07-30
FAX: 93-264-07-31

Cascade Japan Ltd.
5-5-41,
Torikai Kami
Settsu, Osaka
Japan, 566
Tel: 81-726-53-3490
FAX: 81-726-53-3497

Cascade Korea
108B, Namdong Ind Complex
658-3 Gojan-Dong
Namdong-Gu
Inchon, 405-310 Korea
Tel: 82-32-821-2051
FAX: 82-32-821-2055

Cascade Australia
1445 Ipswich Road
Rocklea, QLD 4106
Australia
Tel: 1-800227-223
FAX: (07) 3373-7333

Cascade New Zealand
15 Ra Ora Drive
East Tamaki, Auckland
New Zealand
Tel: 9-273-9136
FAX: 9-273-9137

Cascade (Africa) Pty. Ltd.
P.O. Box 625, Isando 1600
60A Steel Road
Sparton, Kempton Park
South Africa
Tel: 27-11-975-9240
FAX: 27-11-394-1147

Cascade-Xiamen
No. 668 Yangguang Rd.
Xinyang Industrial Zone
Haicang, Xiamen City
Fujian Province
P.R. China 361026
Tel: 86-592-651-2500
FAX: 86-592-651-2571

**Cascade (Singapore)
Trading Co.**
Four Seasons Park
Autumn Block - Apt. 1802
12 Cuscaden Walk
Singapore
Tel: 65-834-1935
FAX: 65-834-1936

