



Parts Manual

Model _____ Fork Positioner

Serial Number _____ 60E-HS-016

cascade[®]
corporation

For Technical Assistance call: 800-227-2233, Fax: 888-329-8207

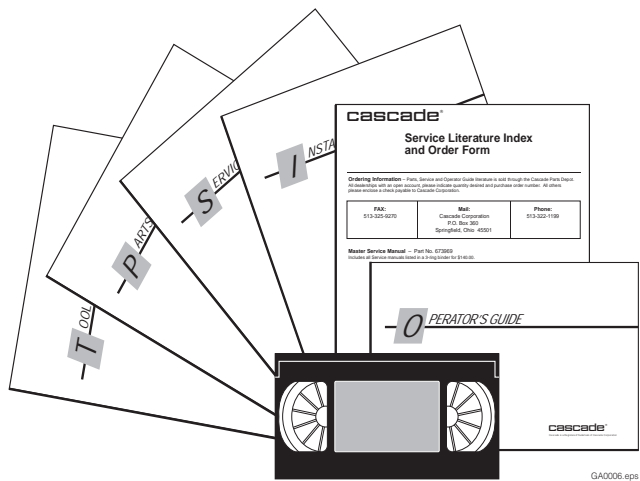
To Order Parts call: 888-227-2233, Fax: 888-329-0234

OR

Write: Cascade Corporation, P.O. Box 20187, Portland, OR 97220

Internet: www.cascorp.com

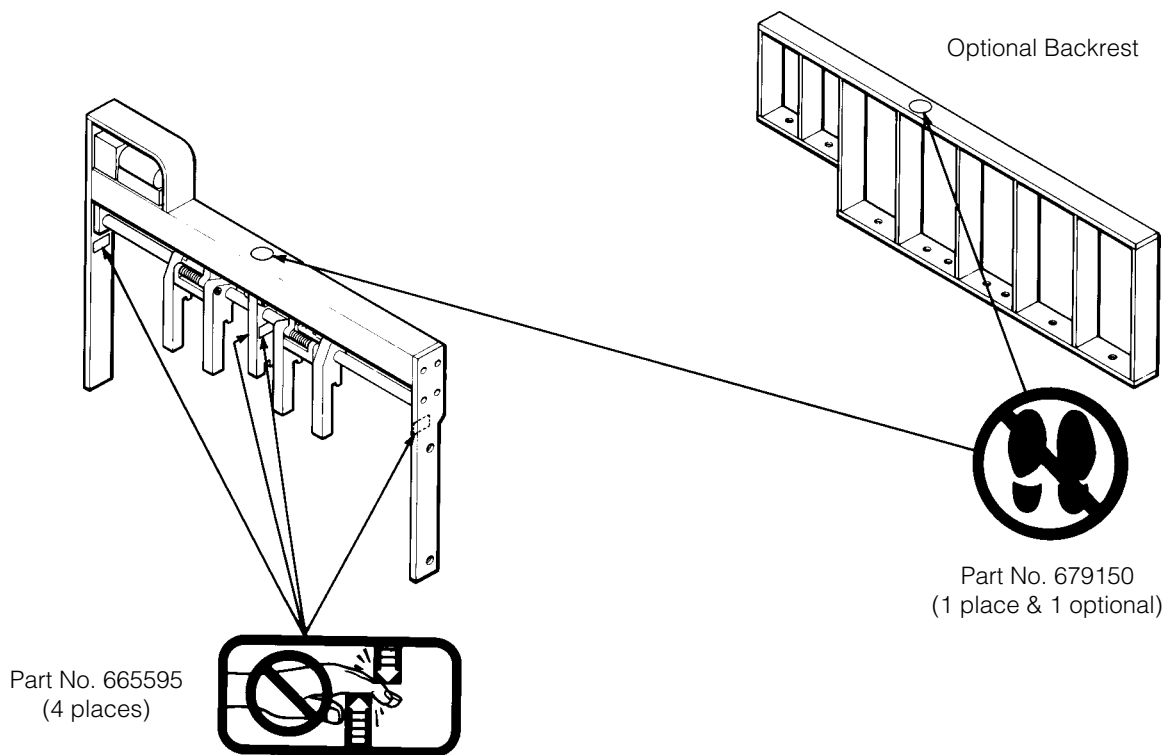
Publications



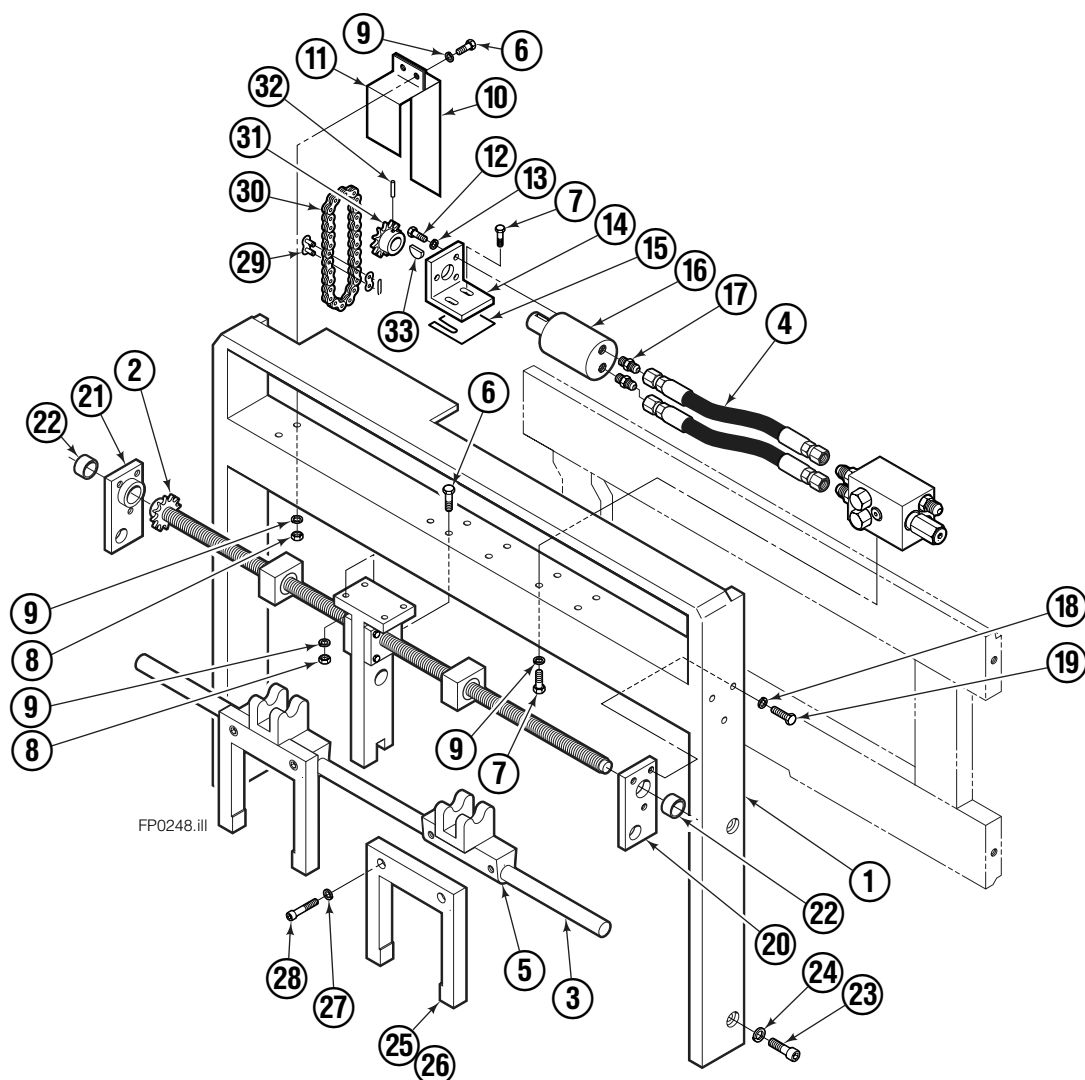
GAC006.eps

PART NO.	DESCRIPTION
206007	Parts Manual
200396	Service Manual
688261	Operators Guide
688262	Installation Instructions
680664	Servicing Cascade Cylinders-VHS
679929	Tool Catalog
673964	Literature Index Order Form

Decals



Base Unit



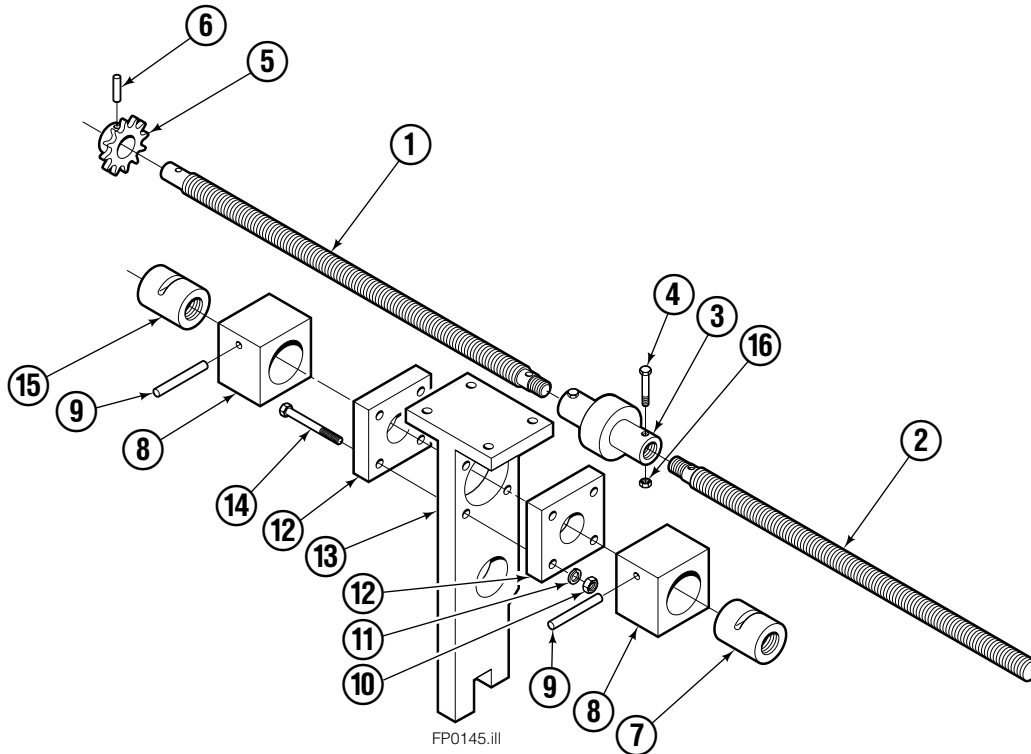
60E							
REF	QTY	PART NO.	DESCRIPTION	REF	QTY	PART NO.	DESCRIPTION
		200468	Fork Positioner, 41 in. ■	17	2	604511	Fitting, 6-6
1	1	686474	Frame, 41 in. ■	18	6	680253	Lockwasher
2	1	686077	Threaded Assembly, 41 in. ■●	19	6	768794	Capscrew, M8 x 1.25 x 20-8.8
3	1	686024	Bar	20	1	686049	Retainer - LH
4	2	688695	Hose, 18.75 in.	21	1	686501	Retainer - RH
5	2	686013	Fork Carrier	22	2	686008	Bushing
6	6	763166	Capscrew, M8 x 1.25 x 25 LG	23	4	683182	Capscrew
7	4	763329	Capscrew, M8 x 1.25 x 20 LG	24	4	678992	Lockwasher, M16
8	6	767414	Nut	25	2	689972	Fork Plate - 5 in.
9	10	686119	Lockwasher	26	2	689974	Fork Plate - 6 in.
10	1	686063	Guard - Back	27	8	678991	Lockwasher
11	1	686062	Guard - Front	28	8	765310	Capscrew, M12 x 35
12	3	3202	Capscrew, 1/4NF x5/8 Gr5	29	1	686007	Master Link
13	3	6286	Lockwasher	30	1	686006	Chain
14	1	686002	Bracket	31	1	606003	Sprocket
15	2	686011	Shim	32	1	4956	Setscrew
16	1	686000	Motor	33	1	673039	Key

■ Carriage width.

● See Threaded Assembly group for parts breakdown.

Reference: Common Parts 686066, BC-0017.

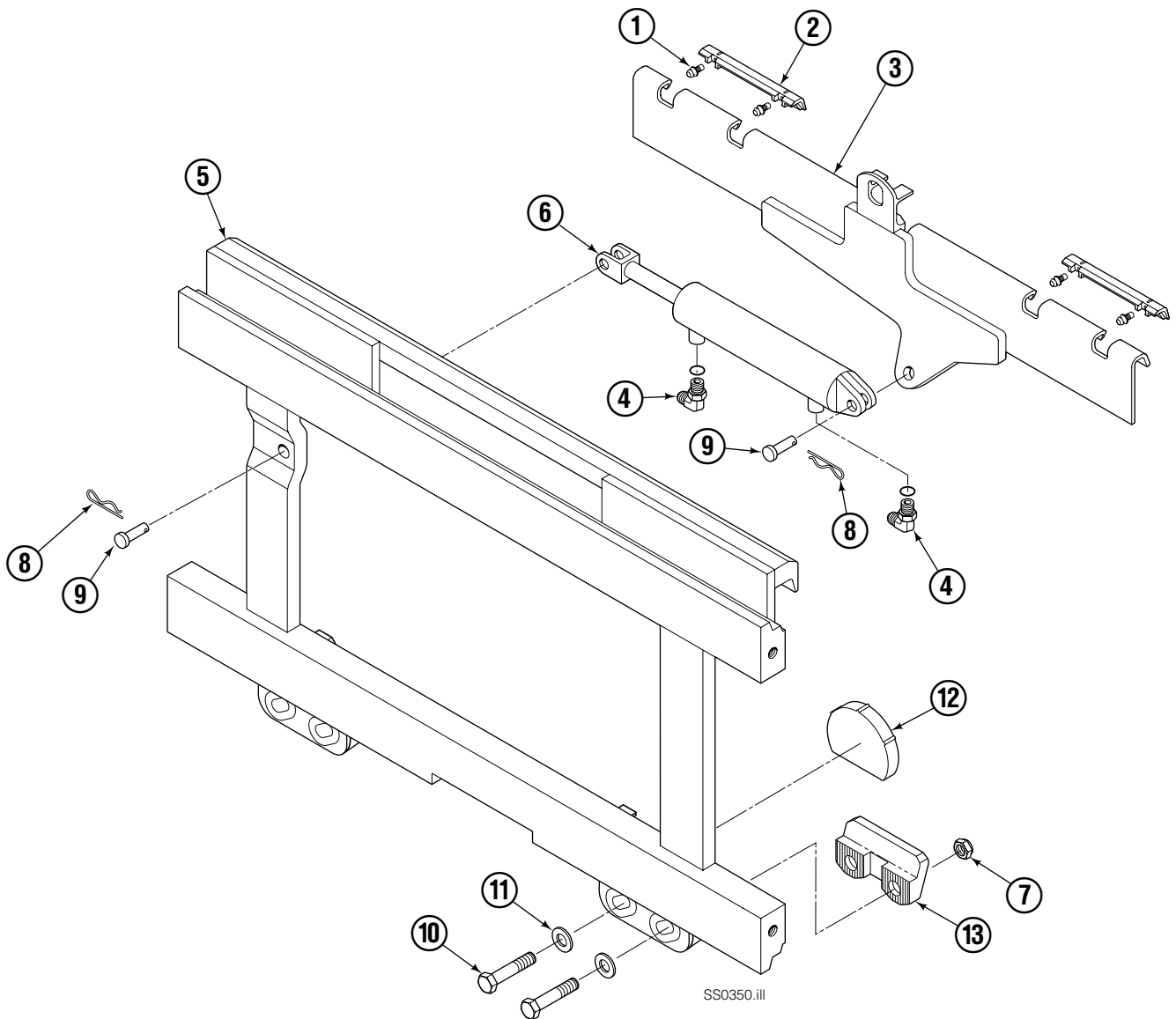
Threaded Assembly



60E			
REF	QTY	PART NO.	DESCRIPTION
		686077	Threaded Assembly
1	1	686069	Acme Thread - R.H.
2	1	686073	Acme Thread - L.H.
3	1	686050	Coupling
4	2	205580	Capscrew
5	1	686004	Sprocket
6	3	768956	Roll Pin
7	1	686080	Acme Nut - L.H.
8	2	686081	Block Nut
9	2	769020	Roll Pin
10	4	765718	Nut
11	4	680217	Lockwasher
12	2	686053	Bearing Plate
13	1	686051	Bracket
14	4	768517	Capscrew
15	1	686079	Acme nut - R.H.
16	2	5985	Lock Nut

Reference: S-3442

Sideshift Carriage



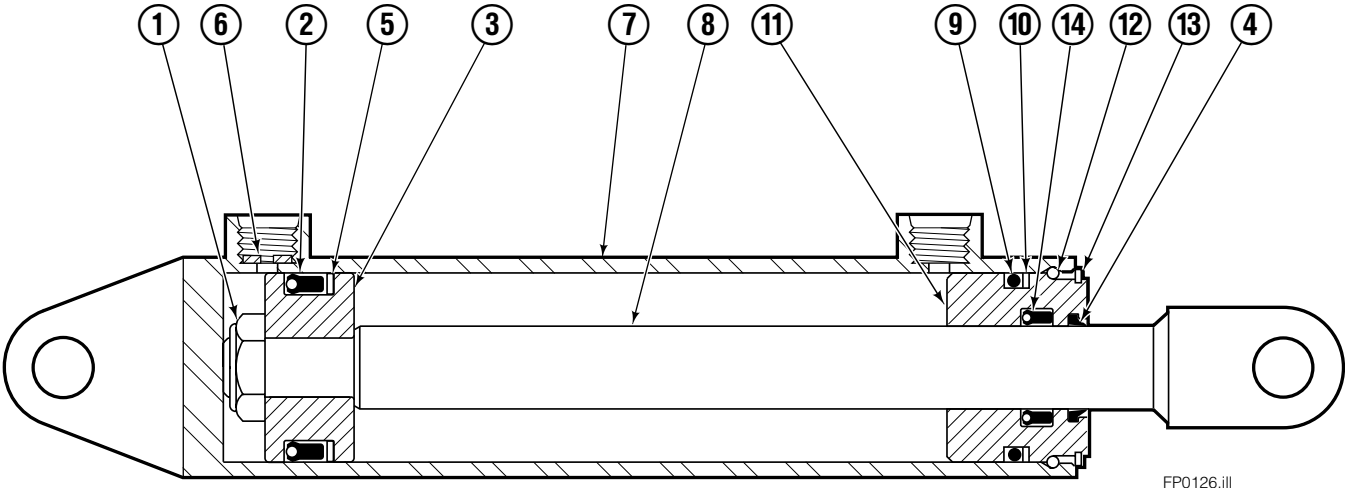
60E			
REF	QTY	PART NO.	DESCRIPTION
		201607	Sideshift Assembly- 41"▲ ITA III
1	4	7403	Grease Fitting ■
2	2	672018	Bearing Segment ■
3	1	678219	Anchor Bracket
4	2	601676	Fitting, 6-6
5	1	201697	Faceplate - 41" ▲ ITA III
6	1	675548	Cylinder Assembly ●
7	4	553857	Nut
8	2	672726	Hairpin Cotter
9	2	206926	Clevis Pin
10	4	623597	Capscrew, 5/8 NC x 1.75 Gr5
11	4	667225	Washer
12	1	675662	Lower Bearing Kit
13	2	678034	Lower Hook

▲ Carriage width.

■ Included in Service Kit 672022.

● See Cylinder page for parts breakdown.

Sideshift Cylinder ITA Class III

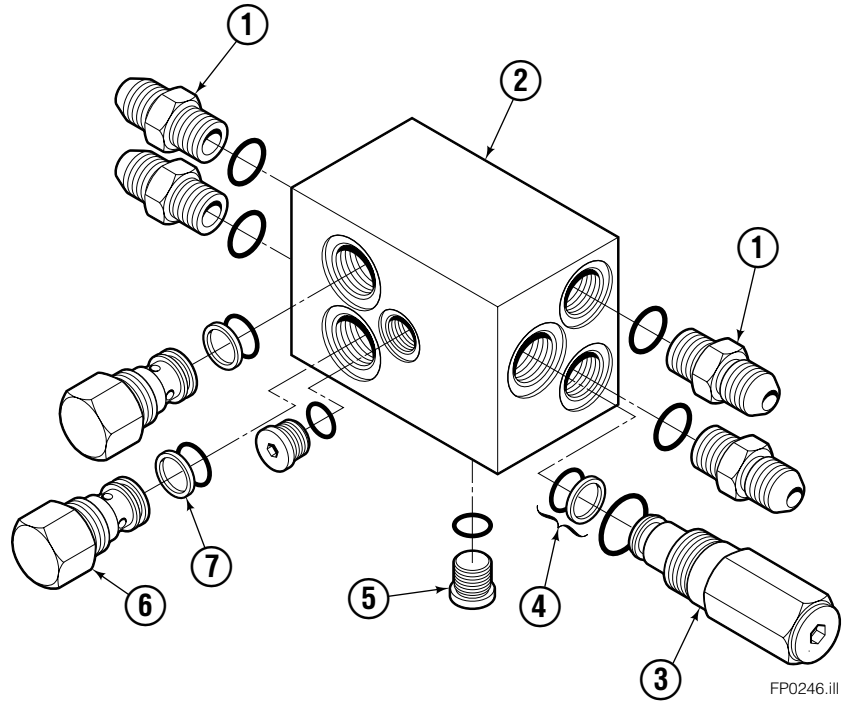


FP0126.ill

55E			
REF	QTY	PART NO.	DESCRIPTION
		675548	Cylinder Assembly
1	1	553857	Nut
2	1	662452	■ Seal
3	1	553501	Piston
4	1	636851	■ Wiper
5	1	638247	■ Back-up Ring
6	1	675550	Washer (orifice .085 in.)
7	1	675549	Shell
8	1	553449	Rod
9	1	2785	■ O-Ring
10	1	615128	■ Back-up Ring
11	1	553500	Retainer
12	1	553856	Retaining Ring
13	1	7202	Snap Ring
14	1	641835	■ Seal
		553861	Service Kit

■ Included in Service Kit 553861.

Valve



FP0246.ill

REF	QTY	PART NO.	DESCRIPTION
		686017	Valve Assembly
1	4	604511	Fitting, 6-6
2	1	686016	Valve Body
3	1	686506	Relief Cartridge
4	1	679991	Seal Kit
5	4	604510	■ Fitting, 6
6	2	682168	Flow Regulator
7	2	682170	■ Seal Kit

■ Included in Service Kit 689219.

Do you have questions you need answered right now? Call your nearest Cascade Parts Department. Visit us online at www.cascorp.com

Cascade Corporation
2501 Sheridan Avenue
Springfield, OH 45505
Tel: 888-CASCADE (227-2233)
FAX: 888-329-0234

Cascade Canada Inc.
5570 Timberlea Blvd.
Mississauga, Ontario
Canada L4W-4M6
Tel: 905-629-7777
FAX: 905-629-7785

Cascade GmbH
Dahlener Strasse 570
41239 Mönchengladbach
Germany
Tel: 02166-68230
FAX: 02166-682323

Cascade Finland
A. Petreliuksenkatu 3
01370 Vantaa
Finland
Tel: 09-8361925
FAX: 09-8361935

**Cascade N.V.
Benelux Sales and Service**
Damsluisweg 56
PO Box 3009
1300 El Almere
The Netherlands
Tel: 036-5492950
FAX: 036-5492974

Cascade (UK) Ltd.
Unit 5, Eden Close
Hellaby Lane Ind. Estate
Heellaby,
Rotherham S66 8RW
England
Tel: 01709-704500
FAX: 01709-704501

**Sales Scotland
Macade Systems Ltd.**
18 Melford Road
Righead Ind. Estate
Bellshill ML4 3LR
Scotland
Tel: 01698-845777
FAX: 01698-845888

Cascade (Africa) Pty. Ltd.
PO Box 625, Isando 1600
60A Steel Road
Sparton, Kempton Park
South Africa
Tel: 975-9240
FAX: 394-1147

Cascade Scandinavia AB
Hammarvägen 10
PO Box 124
S-56723 Vaggeryd
Sweden
Tel: 039-336950
FAX: 039-336959

**Cascade France
S.A.R.L. MHP**
1D Rue De Charaintru
BP 18,
91360 Epinay-Sur-Orge
France
Tel: 01-6454-7500
FAX: 01-6454-7501

Cascade Hispania S.A.
Carrer 5, Sector C
Zona Franca Duanera
Poligono de la Zona Franca
08040 Barcelona
Spain
Tel: 93-264-07-30
FAX: 93-264-07-31

Sales Italy
Via Ponzano 11
50047 Prato
Italy
Tel: 0574-571726
FAX: 0574-571726
Mobile Phone: 0337-673029

**Sales Portugal FAG
Santos Lda**
Rua do Mercado
Lte 6, Loja 2-Tires
2785-630
S. Domingos De Rana
Portugal
Tel: 214-448-083
FAX: 214-458-098

**Sales Switzerland
Fahrzeugbedarf**
8810, Horgen
Switzerland
Tel: 01-7279797
FAX: 01-7279798

Sales Poland
Targowa 35/61
03-728 Warszawa
Tel: 022-619 00 49
FAX: 022-619 00 49
Mobile Phone: 0501-27 29 55

Sales Russia
EMCG Material Handling
Equipment
Moscow
Tel: 095-795-2400
FAX: 095-795-2475
Email: emcg@dol.ru

Cascade Japan Ltd.
5-5-41,
Torikai Kami
Settsu, Osaka
Japan, 566
Tel: 81-726-53-3490
FAX: 81-726-53-3497

Cascade Korea
108B Namdong Ind. Complex
658-3 Gojan-Dong
Namdong-Gu
Inchon, 405-310 Korea
Tel: 82-32-821-2051
FAX: 82-32-821-2055

Cascade Australia
1445 Ipswich Road
Rocklea, QLD 4106
Australia
Tel: 1-800227-223
FAX: (07) 3373-7333

Cascade New Zealand
15 Ra Ora Drive
East Tamaki, Auckland
New Zealand
Tel: 9-273-9136
FAX: 9-273-9137

Cascade-Xiamen
No. 668 Yangguang Rd.
Xinyang Industrial Zone
Haicang, Xiamen City
Fujian Province
P.R. China 361026
Tel: 86-592-651-2500
FAX: 86-592-651-2571

**Cascade (Singapore)
Trading Co.**
Four Seasons Park
Autumn Block - Apt. 1802
12 Cuscaden Walk
Singapore
Tel: 65-834-1935
FAX: 65-834-1936

