



# Parts Manual

---

Model Carton Clamp

Serial Number 30E-CCS-A042R0

---

**cascade**<sup>®</sup>  
corporation

**For Technical Assistance call:** 800-227-2233, Fax: 888-329-8207

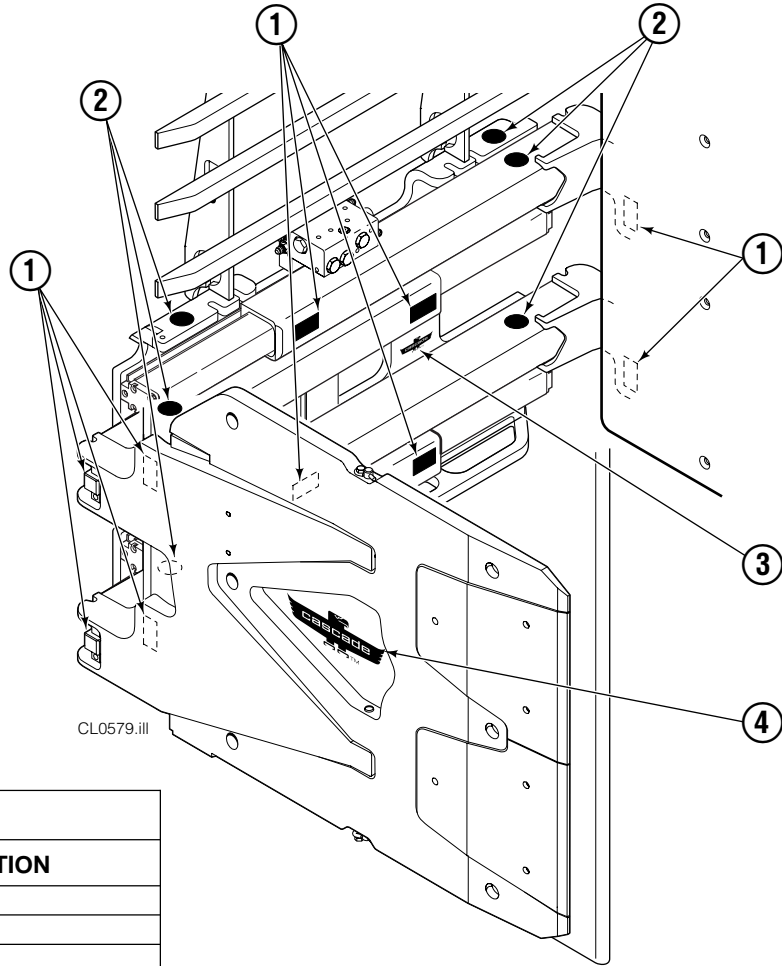
**To Order Parts call:** 888-227-2233, Fax: 888-329-0234

**OR**

**Write:** Cascade Corporation, P.O. Box 20187, Portland, OR 97220

**Internet:** [www.cascorp.com](http://www.cascorp.com)

# Decals



CL0579.ill

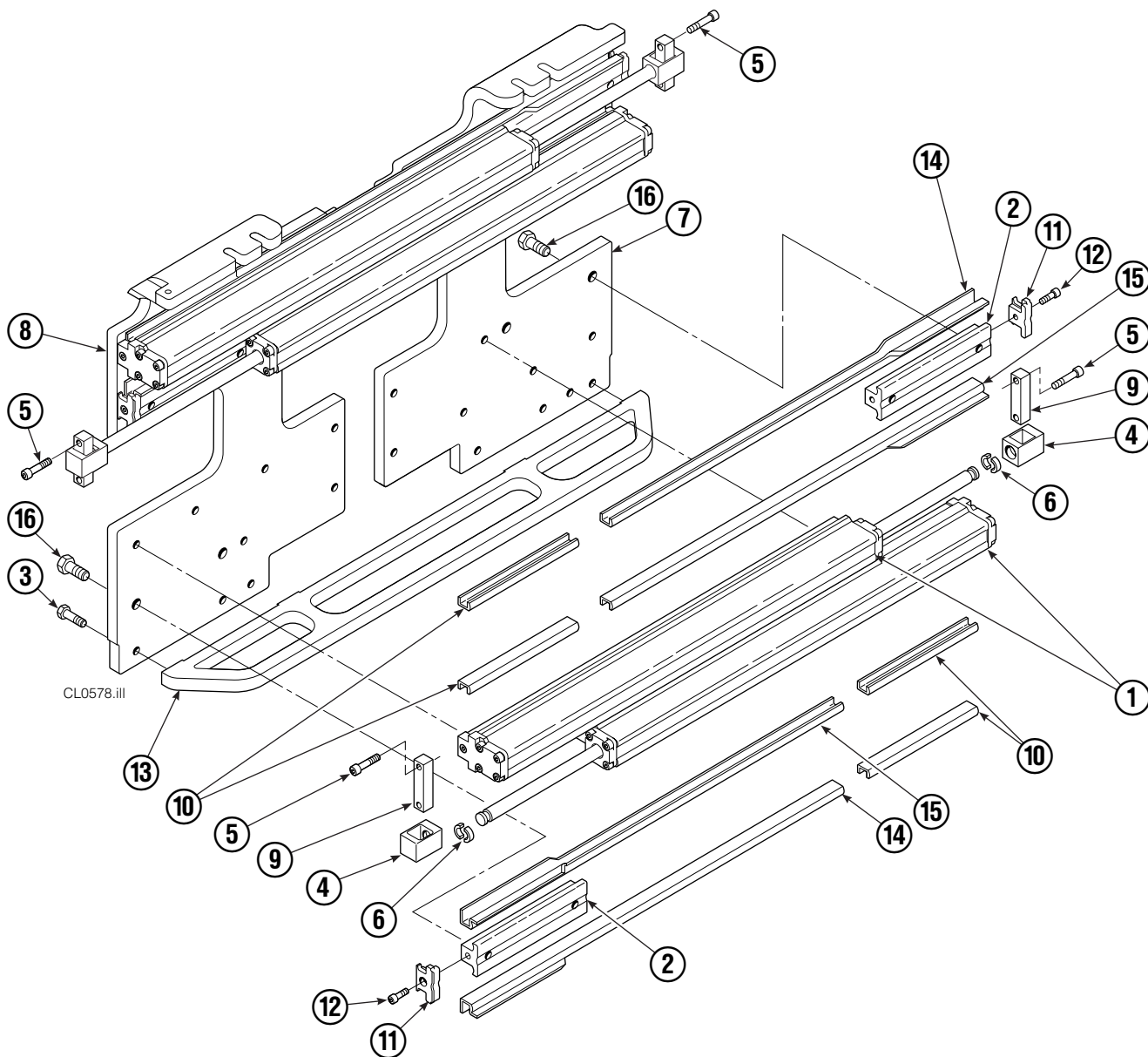
30E			
REF	QTY	PART NO.	DESCRIPTION
1	12	665595	No Hand Hold Decal
2	6	679150	No Step Decal
3	1	211274	Eagle - 80 mm
4	2	211276	Eagle - 240 mm

# Publications



30E	
PART NO.	DESCRIPTION
	Parts Manual
215204	Service Manual
210273	Operator's Guide
212116	Installation Instructions
679929	Tool Catalog
673964	Literature Index Order Form

# Base Unit Group



CL0578.iii

30E							
REF	QTY	PART NO.	DESCRIPTION	REF	QTY	PART NO.	DESCRIPTION
		217495	Base Unit Group	9	4	210489	Rod End Anchor ●
1	4	210117	Cylinder ▲	10	8	213735	Bearing Spacer
2	4	217001	T-Bar	11	4	210140	Bearing Retainer
3	28	211689	Capscrew, M12 x 30 GR 10.9	12	4	787375	Capscrew, M8 x 20
4	4	209741	Rod End ●	13	1	212500	Bumper
5	8	768303	Capscrew, M10 x 35 ●	14	4	209120	Bearing
6	8	210490	Retainer Half Ring ●	15	4	209119	Bearing
7	1	216997	Baseplate – LH	16	8	211128	Capscrew, M16 x 30 GR 10.9
8	1	216998	Baseplate – RH			213856	Service Kit

▲ See Cylinder page for parts breakdown.

● Included in Cylinder Rod Anchor Kit 213856.

Reference: SK-6089.

# Cylinder



30E							
REF	QTY	PART NO.	DESCRIPTION	REF	QTY	PART NO.	DESCRIPTION
		210117	Cylinder Assembly	8	2	210053	O-Ring ▲
1	1	210118	Cylinder/Shell	9	2	210050	Back-Up Ring ▲
2	1	4157-820	Rod	10	1	212477	Seal ▲
3	1	213783	Cap	11	1	209808	Seal ▲
4	8	768208	Capscrew, M8 x 25	12	2	214053	O-Ring ▲
5	1	209809	Bearing ▲	13	1	562131	Wiper ▲
6	1	787375	Capscrew, M8 x 20			210090	Service Kit
7	1	212452	Retainer				

▲ Included in Service Kit 210090.

Reference: S-4644, S-4643.

# Hydraulic Group



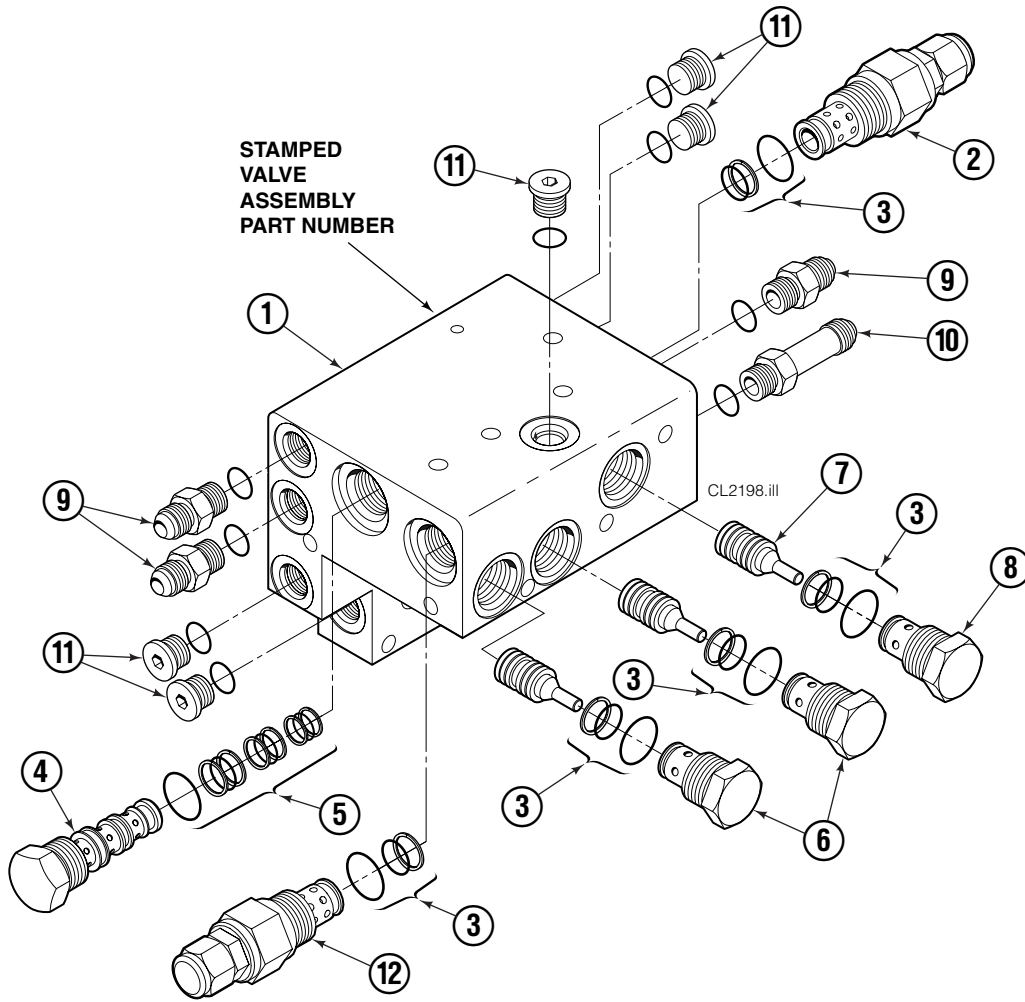
30E			
REF	QTY	PART NO.	DESCRIPTION
		215872	Hydraulic Group
		212983	Manifold Group
1	1	215873	Valve Assembly ▲
2	6	768208	Capscrew, M8 x 25
3	2	768797	Capscrew, M8 x 40
4	2	768800	Capscrew, M8 x 60
5	11	214053	O-Ring, 90 Durometer
6	1	212974	Manifold

▲ See Valve page for parts breakdown,  
part number stamped on valve.

Reference: SK-6090.

# Valve

## Sideshifting Without Regeneration

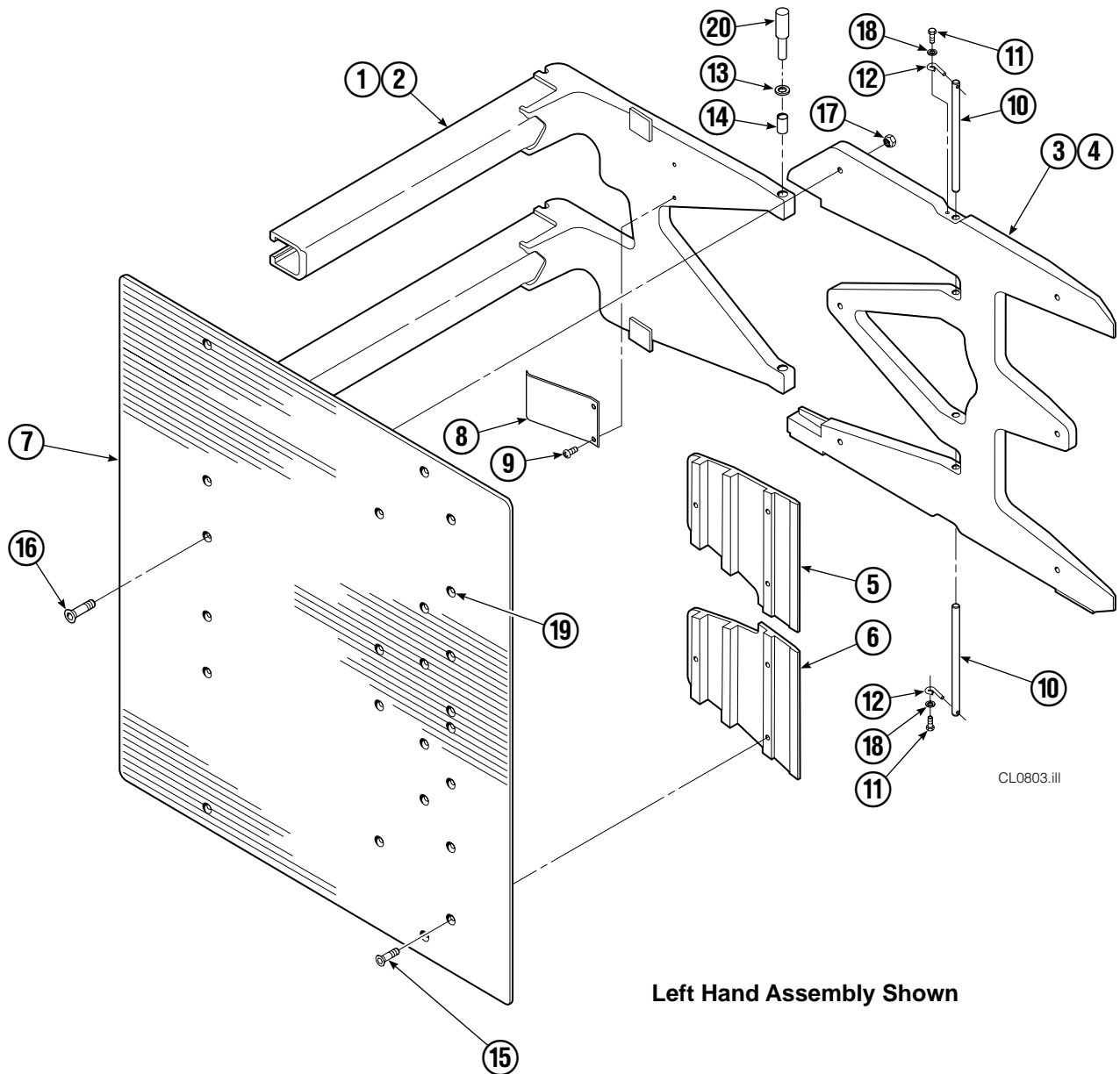


REF	QTY	PART NO.	DESCRIPTION
		215873	Valve Assembly
1	1	215874	Valve Body
2	1	214405	Crossover Relief Valve
3	5	682170	Seal Kit ▲
4	1	210266	Flow Divider/Combiner
5	1	679992	Seal Kit ▲
6	2	209847	Check Valve
7	3	215756	Piston
8	1	6025134	Check Valve
9	3	604511	Fitting, 6-6 ●
10	1	605743	Fitting, 6-6 ●
11	5	604510	Fitting, 6
12	1	215876	Crossover Relief Valve
		210452	Valve Service Kit

▲ Included in Valve Service Kit 210452.

● Included in Fitting Group 212978.

# Arms and Pads



CL0803.iii

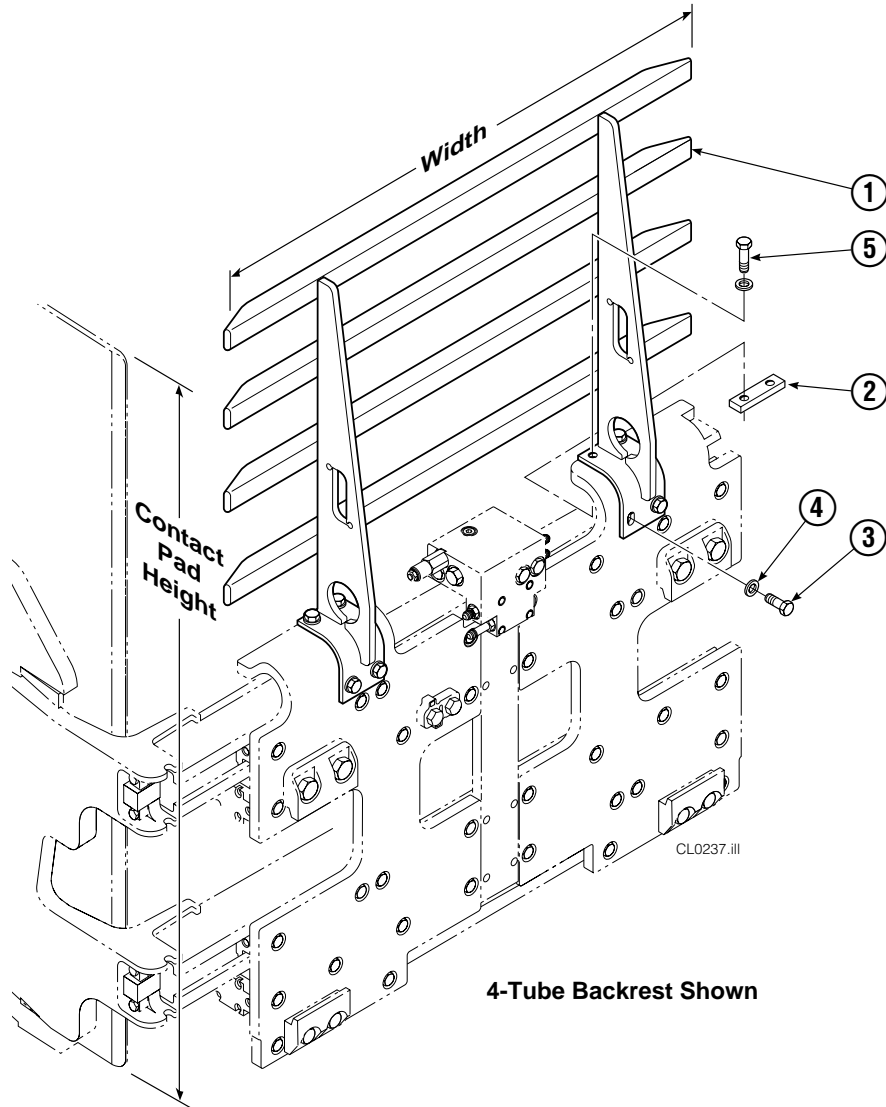
Left Hand Assembly Shown

33E							
REF	QTY	PART NO.	DESCRIPTION	REF	QTY	PART NO.	DESCRIPTION
1	1	212053	Arm – LH	11	4	787372	Cap screw, M8 x 20
2	1	212054	Arm – RH	12	4	682999	Eye Pin
3	1	210402	Stabilizer – LH	13	10	675620	Washer, M10
4	1	210405	Stabilizer – RH	14	8	200590	Bushing
5	2	210183	Filler Block – LH Upper/RH Lower	15	12	766646	Cap screw, M10 x 20
6	2	210182	Filler Block – LH Lower/RH Upper	16	12	768706	Cap screw, M12 x 35
7	2	210462	Contact Pad	17	12	773842	Nut, M12
8	2	210154	Spring	18	4	787398	Washer, M8
9	4	203405	Cap screw, M10 x 16	19	▲	673841	Contact Pad Repair Kit
10	4	210161	Pin	20	1	675626	Tool – Bushing Drive

Reference: S-4246, S-4217, Stabilizer Group 210408,  
Common Parts Group 210494.

▲ Repairs one hole.

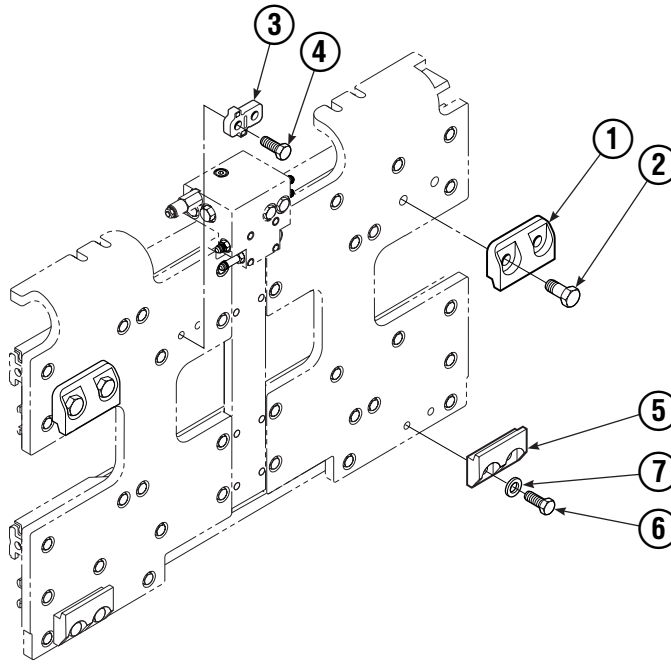
# Backrest Group



<b>30E</b>				
REF	QTY	CONTACT PAD HEIGHT		DESCRIPTION
		54 in. (1370 mm) – 4-Tube		
1	1	210526		Backrest ▲ – 40 in. (1016 mm) Width
2	2	210155		Plate
3	4	211689		Capscrew, M12 x 30
4	8	667910		Washer, M12
5	4	206174		Capscrew, M12 x 45

▲ Backrest without Solenoid Adaption mounting.  
Reference: 211448 (Items 2 thru 5), S-4198, S-4265.

# Bolt-On Mounting Group



CL0236.iii

33E			
REF	QTY	ITA II	DESCRIPTION
		PART NO.	
		211162	Upper Mounting Group ▲
		211173	Lower Mounting Group ●
1	2	210491	Upper Hook
2	4	768577	Capscrew, M20 x 35
3	1	212999	Center Key
4	2	211129	Capscrew, M16 x 35
5	2	675968	Lower Hook
6	4	211128	Capscrew, M16 x 30
7	4	211179	Washer, M16

▲ Includes items 1-4.

● Includes items 4-6.

Reference: SK-6089.

**Do you have questions you need answered right now?** Call your nearest Cascade Parts Department. Visit us online at [www.cascorp.com](http://www.cascorp.com)

**Cascade Corporation**  
2501 Sheridan Avenue  
Springfield, OH 45505  
Tel: 888-CASCADE (227-2233)  
FAX: 888-329-0234

**Cascade Canada Inc.**  
5570 Timberlea Blvd.  
Mississauga, Ontario  
Canada L4W-4M6  
Tel: 905-629-7777  
FAX: 905-629-7785

**Cascade GmbH**  
D-41199 Monchengladbach  
Klosterhofweg 52  
Germany  
Tel: 49-216-668230  
FAX: 49-216-6682323

**Cascade Finland**  
Albert Petreliuksenkatu 3  
01370 Vantaa  
Finland  
Tel: 358-9-836-1925  
FAX: 358-9-836-1935

**Cascade N.V.  
European Headquarters**  
P.O. Box 3009  
1300 El Almere  
Damsluisweg 56  
1332 ED Almere  
The Netherlands  
Tel: 31-36-5492911  
FAX: 31-36-5492964

**Cascade N.V.  
Benelux Sales and Service**  
P.O. Box 3009  
1300 El Almere  
Damsluisweg 56  
1332 ED Almere  
The Netherlands  
Tel: 31-36-5492950  
FAX: 31-36-5492974

**Cascade (UK) Ltd.**  
15, Orgreave Crescent  
Dore House Industrial Estate  
Handsworth  
Sheffield S13 9NQ  
England  
Tel: 742-697524  
FAX: 742-695121

**Cascade Scandinavia AB**  
Box 124  
Hammarvägen 10  
567 23 Vaggeryd  
Sweden  
Tel: 42-0-393-36950  
FAX: 46-0-393-36959

**Cascade Norway**  
Østerliveien 37A  
1153 Oslo  
Norway  
Tel: 47-22-743160  
FAX: 47-22-743157

**Cascade France S.A.R.L.**  
1D Rue De Charaintru  
BP 18, 91360 Epinay-Sur-Orge  
Morangis Cedex, France  
Tel: 33-1- 64547500  
FAX: 33-1-64547501

**Cascade Hispania S.A.**  
Carrer 5 Sector C  
Zona Franca Duanera  
Poligono de la Zon Franca  
08040 Barcelona, Spain  
Office No. 256  
Tel: 93-264-07-30  
FAX: 93-264-07-31

**Cascade Japan Ltd.**  
5-5-41,  
Torikai Kami  
Settsu, Osaka  
Japan, 566  
Tel: 81-726-53-3490  
FAX: 81-726-53-3497

**Cascade Korea**  
108B, Namdong Ind Complex  
658-3 Gojan-Dong  
Namdong-Gu  
Inchon, 405-310 Korea  
Tel: 82-32-821-2051  
FAX: 82-32-821-2055

**Cascade Australia**  
1445 Ipswich Road  
Rocklea, QLD 4106  
Australia  
Tel: 1-800227-223  
FAX: (07) 3373-7333

**Cascade New Zealand**  
15 Ra Ora Drive  
East Tamaki, Auckland  
New Zealand  
Tel: 9-273-9136  
FAX: 9-273-9137

**Cascade (Africa) Pty. Ltd.**  
P.O. Box 625, Isando 1600  
60A Steel Road  
Sparton, Kempton Park  
South Africa  
Tel: 27-11-975-9240  
FAX: 27-11-394-1147

**Cascade-Xiamen**  
No. 668 Yangguang Rd.  
Xinyang Industrial Zone  
Haicang, Xiamen City  
Fujian Province  
P.R. China 361026  
Tel: 86-592-651-2500  
FAX: 86-592-651-2571

**Cascade (Singapore)  
Trading Co.**  
Four Seasons Park  
Autumn Block - Apt. 1802  
12 Cuscaden Walk  
Singapore  
Tel: 65-834-1935  
FAX: 65-834-1936

