



Installation Instructions

Low Pressure Tank Line Adapter Kit 6807816

This sheet describes the installation of a low pressure hydraulic return line from an attachment accessory valve connecting to the truck tank low pressure return line.

The kit includes 3 adapter tees for the truck low pressure tank line hose, 4.12 in. (40 mm) of low pressure hose, fittings for connection to the attachment accessory valve and hose clamps.

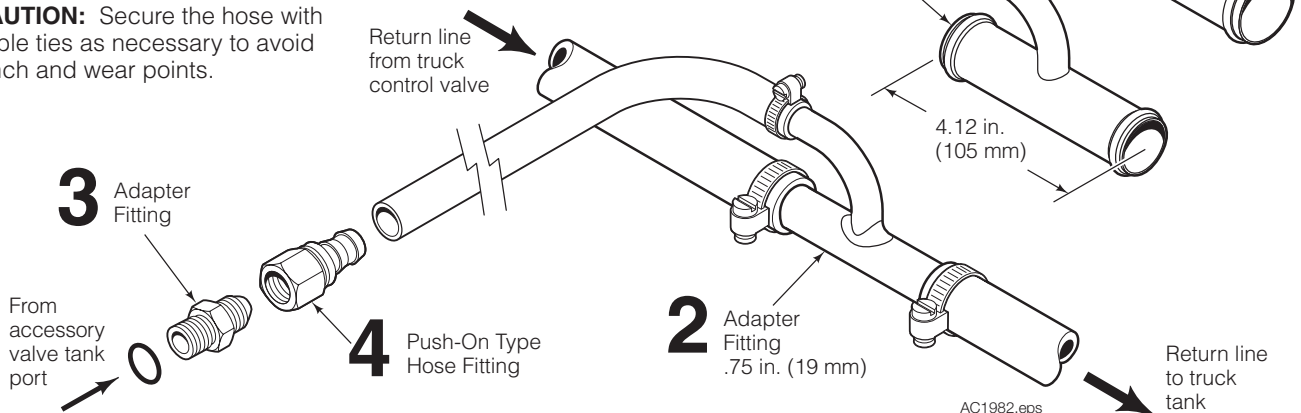
NOTE: This installation requires splicing into the truck control valve low pressure tank line.



WARNING: Do not install the tank line adapter fitting in the power steering or braking system return line. Improper installation can cause erratic brake or steering functions.

- 1 Locate the existing truck control valve low pressure tank line. In a suitable location, cut and remove a 1.5 in. (40 cm) section of hose as shown.
- 2 Determine the adapter tee that fits the low pressure tank line hose. Install the adapter tee and hose clamps. Tighten the hose clamps.
- 3 Install the adapter fitting in the attachment accessory valve tank port.
- 4 Install the push on hose fitting (Push-Lok JIC female) to the low pressure hose supplied with the kit. Determine the low pressure hose length required and cut to length. Attach the hose to the attachment accessory valve fitting. Install the other hose end to the adapter tee. Avoid pinch and wear points. Tighten hose fittings and clamps.

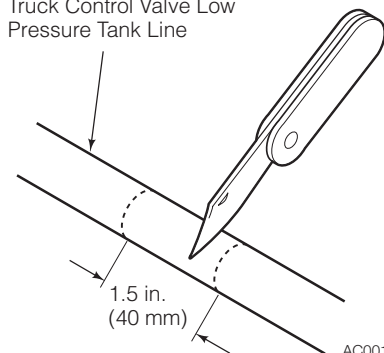
CAUTION: Secure the hose with cable ties as necessary to avoid pinch and wear points.



Tank Hose ID

.75 in. (19 mm)
1.00 in. (25 mm)
1.25 in. (31 mm)

1 Truck Control Valve Low Pressure Tank Line



cascade[®]
corporation

For Technical Support . . .

Call: 1-800-227-2233 Fax: 1-888-329-8207

Internet: www.cascorp.com

Write: Cascade Corporation, PO Box 20187, Portland, OR 97294

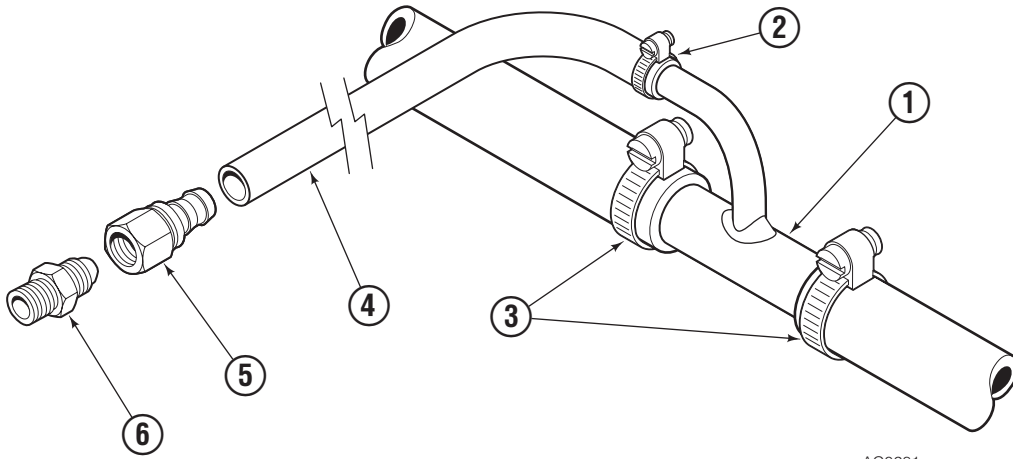
To Order Parts . . .

Call: 1-888-227-2233 Fax: 1-888-329-0234

Internet: www.cascorp.com

Write: Cascade Corporation, 2501 Sheridan Ave., Springfield, OH 45505

Connector Kit



AC0281.eps

REF	QTY	PART NO.	DESCRIPTION
		6807816	Connector Kit
1	1	214056	Adapter Tee - .75 in. (19 mm) Hose ID
	1	211739	Adapter Tee - 1.00 in. (25 mm) Hose ID
	1	212891	Adapter Tee - 1.25 in. (31 mm) Hose ID
2	1	211742	Hose Clamp, .38 → .87 in.
3	2	211743	Hose Clamp - .50 → 1.25 in.
	2	213140	Hose Clamp - .75 → 1.75 in.
4	1	211740	Hose, 72 in.
5	1	211741	Fitting, 8
6	1	601377	Fitting, 8-8