



Parts Manual

Model _____ Paper Roll Clamp

Serial Number _____ 90F-RCS-21C R1

cascade®
corporation

For Technical Assistance call: 800-227-2233, Fax: 888-329-8207

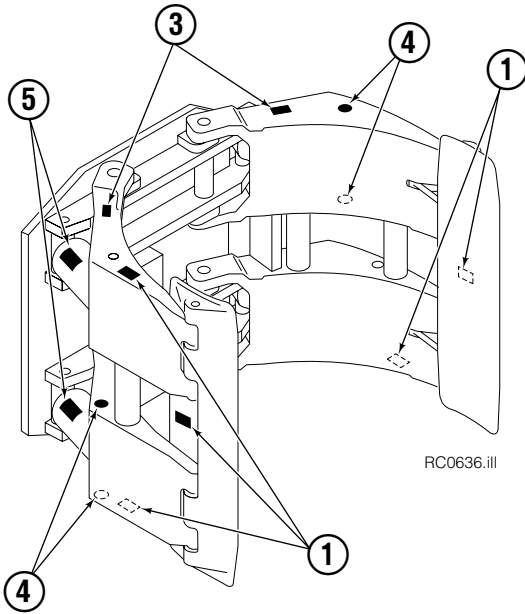
To Order Parts call: 888-227-2233, Fax: 888-329-0234

OR

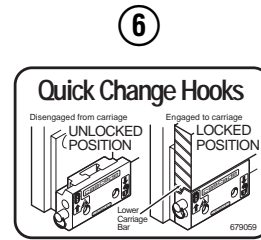
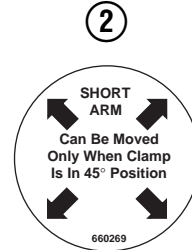
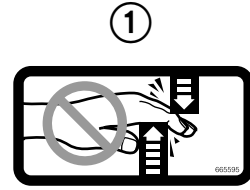
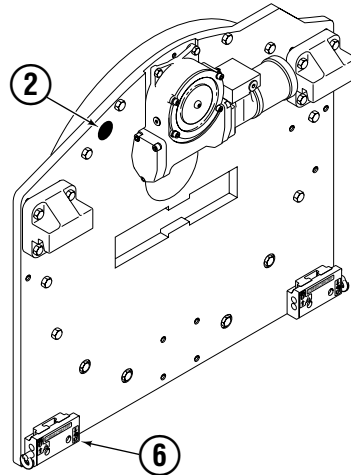
Write: Cascade Corporation, P.O. Box 20187, Portland, OR 97220

Internet: www.cascorp.com

Safety Decals

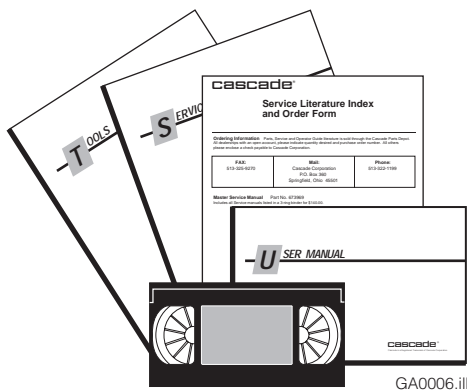


RC0636.ill



Roll Clamp Safety Decals			
REF	QTY	PART NO.	DESCRIPTION
1	6	665595	No Hand Hold Decal
2	3	660269	Short Arm Rotation Position Decal
3	4	656038	Caution Decal
4	4	679150	No Step Decal
5	4	665677	Trapped Pressure Decal
6	1	679059	Quick-Change Hook Decal

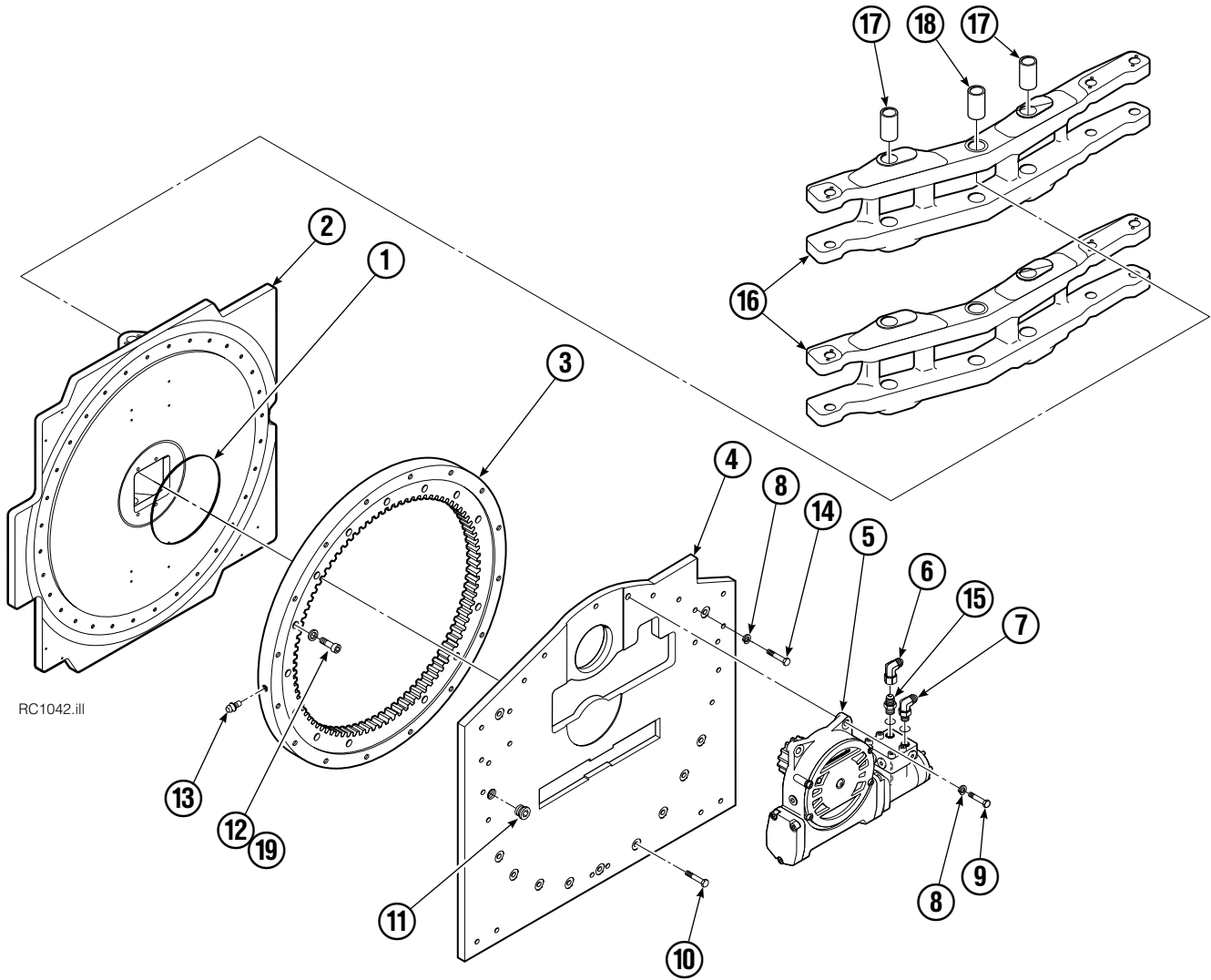
Publications



GA0006.ill

Roll Clamp Publications	
674512	Service Manual
210135	Operator's Guide – Fixed Frame
676268	Operator's Guide – Swing Frame
674510	Installation Instructions – Fixed Frame
674511	Installation Instructions – Swing Frame
677555	Driver Training Video – VHS
678363	Troubleshooting Video – VHS
680664	Servicing Cascade Cylinders – VHS
679929	Tool Catalog
673964	Literature Index Order Form

Frame Group



90F

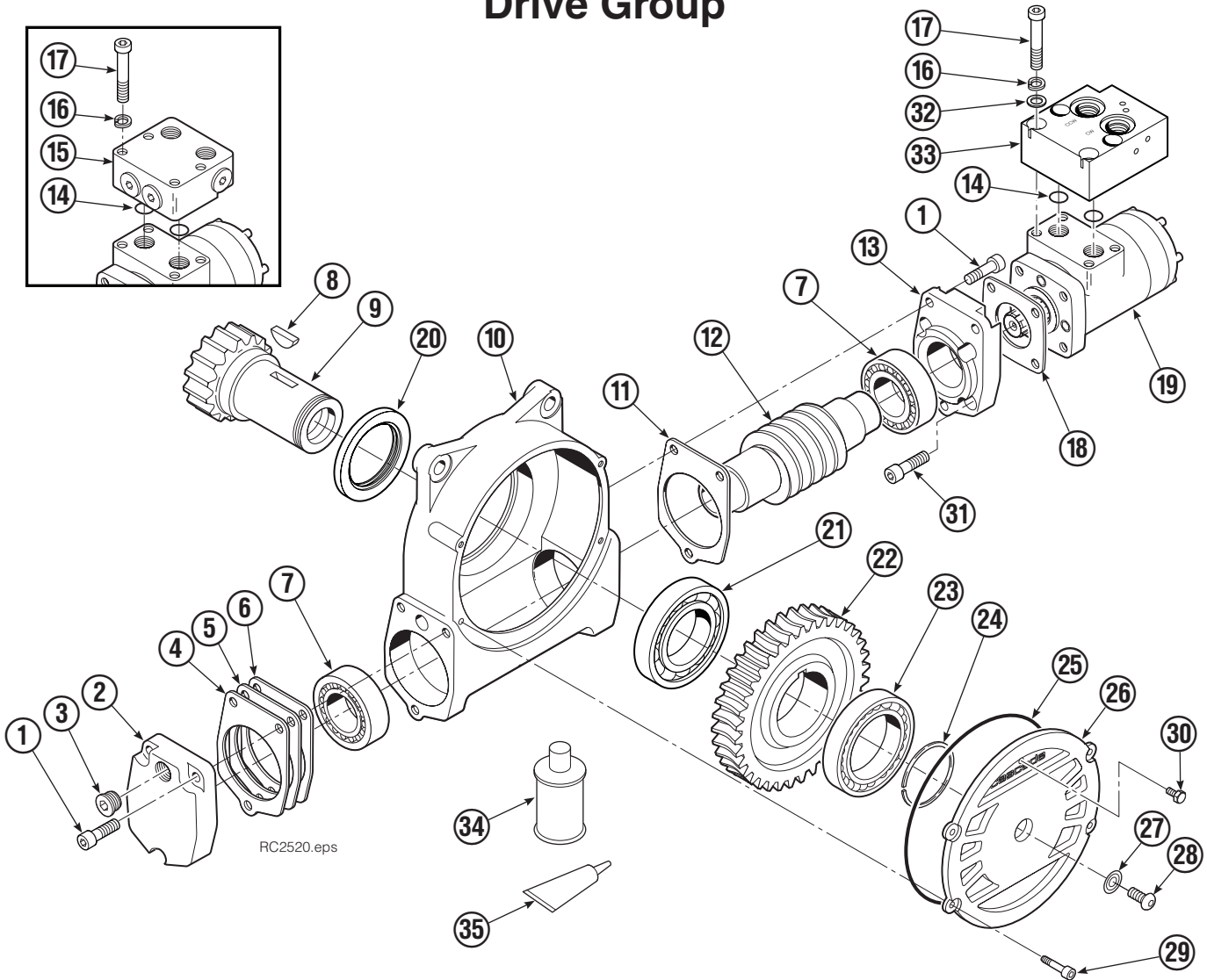
REF	QTY	PART NO.	DESCRIPTION	REF	QTY	PART NO.	DESCRIPTION
		394131	Frame Group	10	13	206174	Capscrew, M12 x 45
1	1	670931	Seal	11	1	664071	Plug
2	1	6011193	Faceplate	12	32	753221	Capscrew, M12 x 50
3	1	214481	Bearing Assembly	13	1	7401	Grease Fitting
4	1	214484	Baseplate	14	19	213633	Capscrew, M12 x 55
5	1	795492	Drive Group ●	15	1	601377	Fitting, 8-8
6	1	605761	Fitting, 8-8	16	2	381130	▲ Swing Frame
7	1	601250	Fitting, 8-8	17	8	675008	▲ Bushing
8	4	6290	Lockwasher, 1/2 ID	18	4	675006	▲ Bushing
9	4	763021	Capscrew, M12 x 30	19	32	681473	Lockwasher, M12

● See Drive Group page for parts breakdown.

▲ Included in Swing Frame Group 381129.

Reference: Common Parts 393464, Fastener Kit 223703, SK-6189.

Drive Group



REF	QTY	PART NO.	DESCRIPTION	REF	QTY	PART NO.	DESCRIPTION
		795492	Drive Group with 2.8 c.i. Motor	19	1	206392	Drive Motor – 2.8 c.i. ■
1	6	769570	Capscrew, M12 x 25	20	1	3014870	Seal
2	1	676855	Cover	21	1	6033892	Bearing ★
3	1	604510	Fitting, 6	22	1	675609	Worm Gear
4	●	670574	Shim – .010" (brown)	23	1	670581	Bearing
5	●	671757	Shim – .015" (pink)	24	1	7214	Snap Ring
6	●	671758	Shim – .020" (yellow)	25	1	643423	O-Ring
7	2	670579	Bearing	26	1	775552	Cover
8	1	670582	Key	27	1	783609	Seal
9	1	670556	Pinion	28	1	783608	Capscrew, M10 x 16
10	1	775551	Housing	29	4	200882	Capscrew, M8 x 20
11	1	686465	Gasket	30	1	644010	Relief Fitting
12	1	675608	Worm	31	4	4468	Capscrew, 3/8 x .75
13	1	775553	Adapter	32	4	221494	Washer, M8
14	2	2705	O-Ring	33	1	6063316	Check Valve ◆
15	1	670549	Check Valve ◆	34	1	656300	Gear Box Lube – 48 oz.
16	4	6444	Lockwasher	35	1	668184	Sealant
17	4	607059	Capscrew, 5/16 x 1.75			670578	Shim Service Kit (items 4-6,11,25,35)
18	1	670575	Gasket			206394	Motor Kit–2.8 (items 11,14,18,19,35)

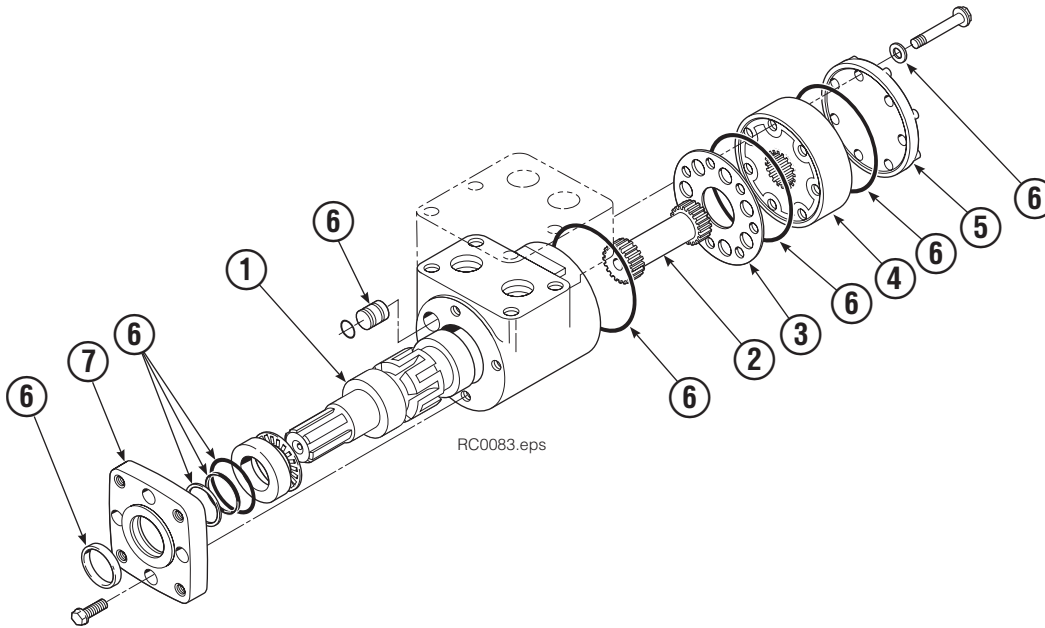
● Quantity as required.

◆ See Valve page for parts breakdown.

■ See Drive Motor page for parts breakdown.

★ For service replacement use Bearing 670580.

Drive Motor

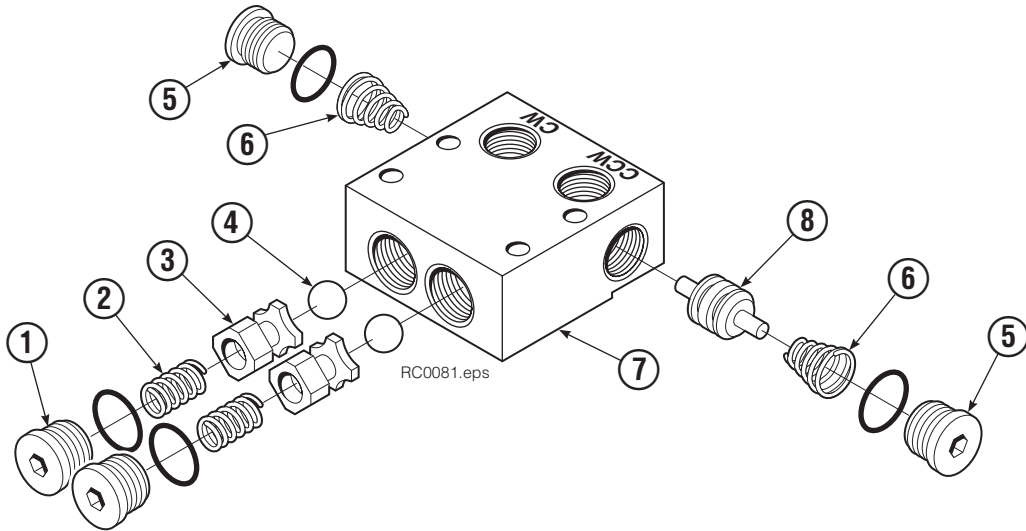


REF	QTY	PART NO.	DESCRIPTION
		206392	Drive Motor – 2.8 c.i.
1	1	675478	Shaft
2	1	675477	Drive
3	1	675479	Spacer Plate
4	1	675480	Gerotor Set (101-1768-007) ■
	1	685075	Gerotor Set (101-1768-009) ■
5	1	675482	End Cap
6	1	206405	Service Kit ●
7	1	685089	Flange (101-1768-007) ■
	1	685090	Flange (101-1768-009) ■

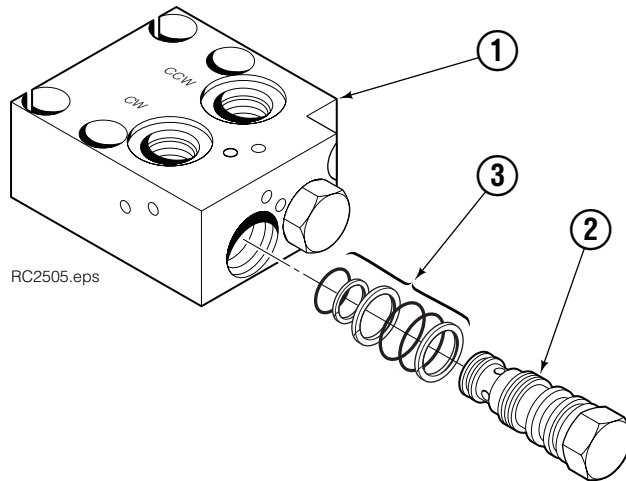
Cascade provides service replacement parts for the listed parts only. Due to cost, if other parts need replacement, the complete drive motor should be replaced.

- See Nameplate under valve for correct part number of Gerotor Set and Flange.
- Compatible with water glycol based hydraulic fluids.

Check Valve

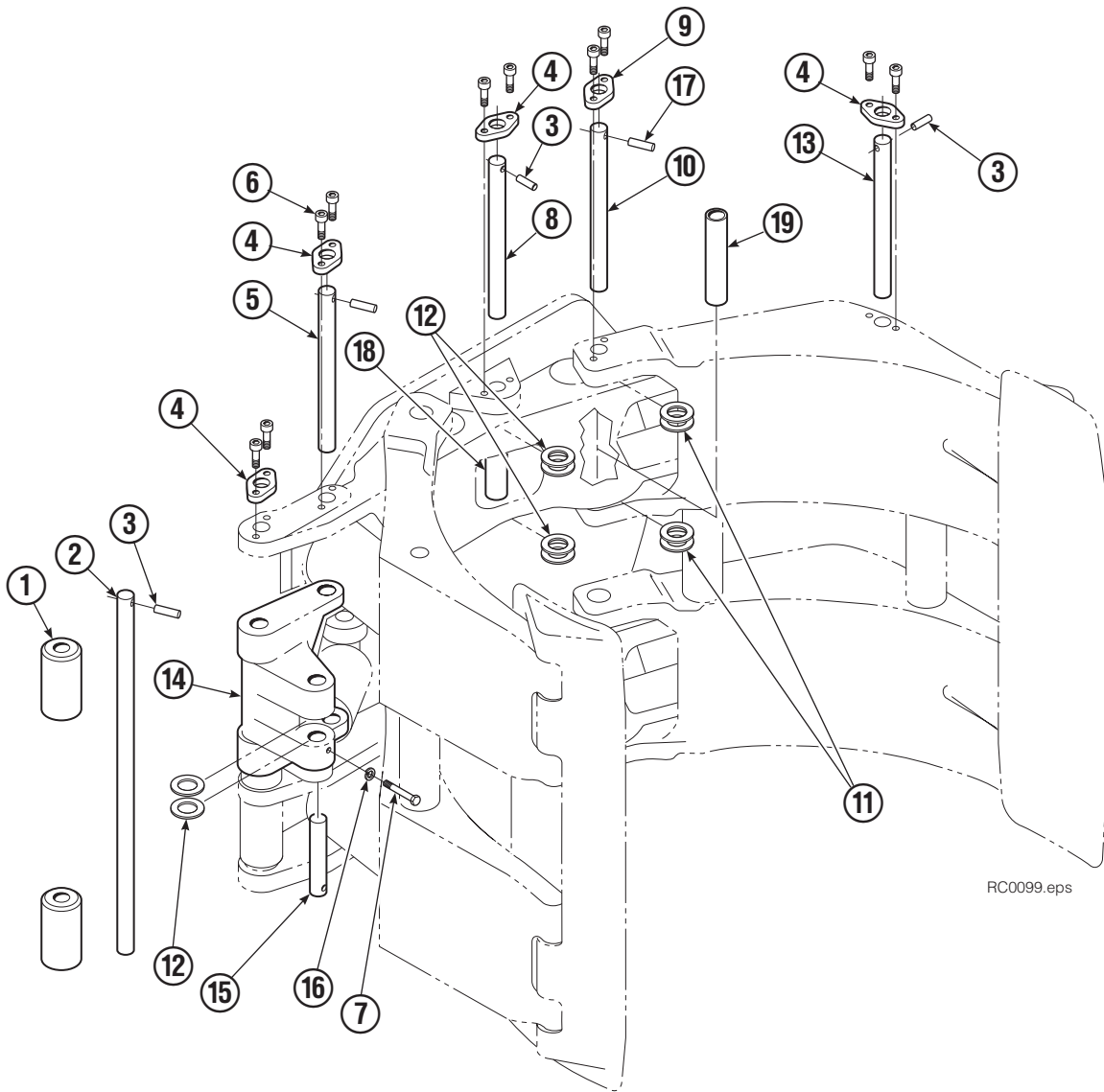


REF	QTY	PART NO.	DESCRIPTION
		670549	Check Valve Assembly
1	2	609453	Fitting, 10
2	2	670552	Spring
3	2	670551	Guide
4	2	7020	Ball
5	2	602580	Fitting, 8
6	2	673989	Spring
7	1	670550	Body
8	1	670553	Spool



REF	QTY	PART NO.	DESCRIPTION
		6063316	Check Valve Assembly
1	1	6063282	Valve Body
2	2	6038929	Check Valve – PO
3	2	667516	Service Kit

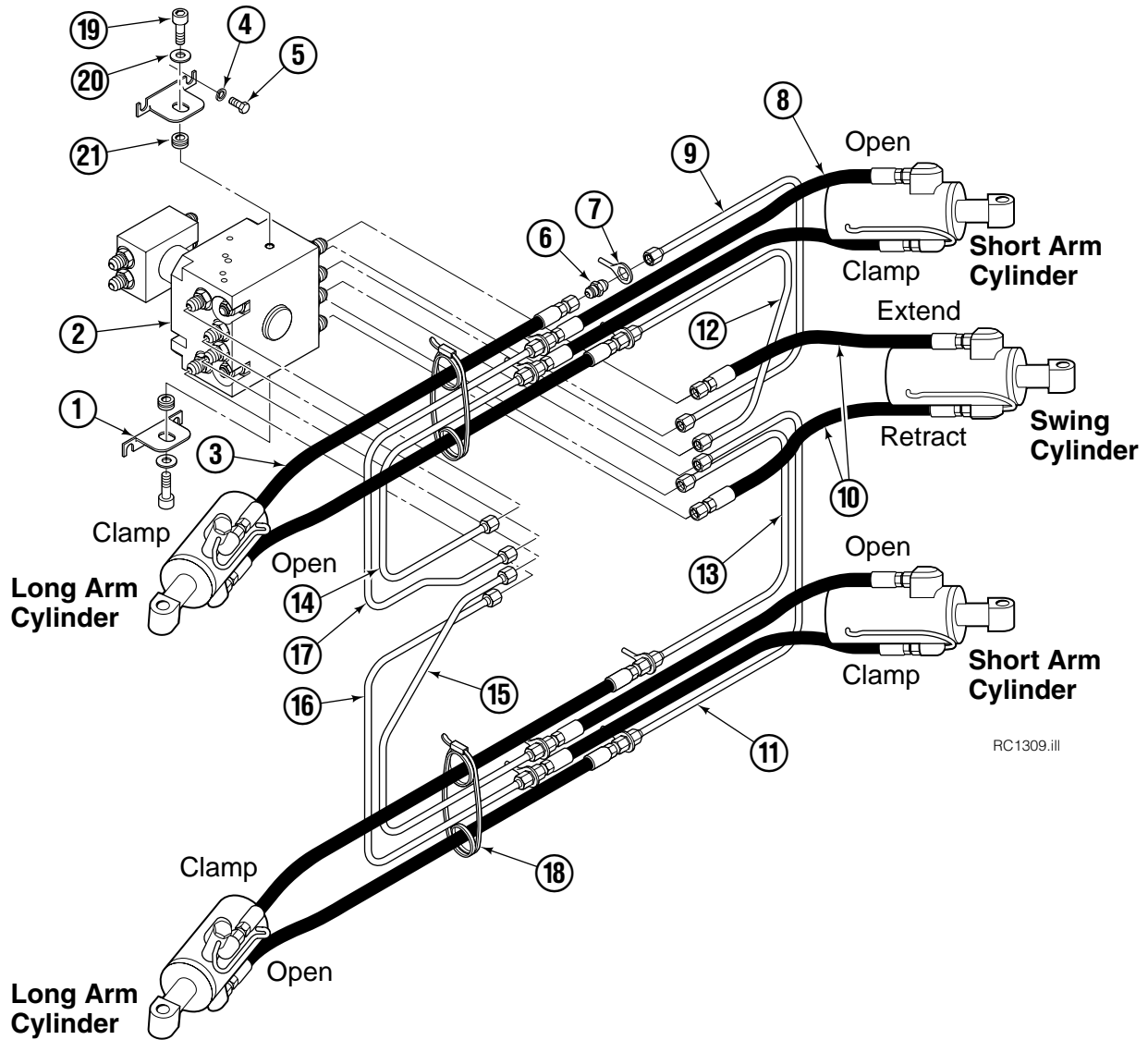
Common Components Group



90F							
REF	QTY	PART NO.	DESCRIPTION	REF	QTY	PART NO.	DESCRIPTION
		356184	Components Group	10	4	675022	Pin, 1.75 x 15.75
1	2	675024	Roller	11	16	673379	Shim
2	1	675021	Pin, 1.25 x 31.0	12	16	660200	Shim
3	11	673385	Drive Pin, .312 x 1.50	13	4	676088	Pin, 1.25 x 10.7
4	11	206589	Retainer	14	1	356185	Swing Casting
5	4	675018	Pin, 1.25 x 11.2	15	2	675023	Pin, 1.25 x 6.8
6	30	4466	Capscrew, 3/8 x .50	16	2	6287	Lockwasher, 5/16 ID
7	2	643518	Capscrew, 5/16 x 2.25	17	4	675086	Drive Pin, .312 x 2.25
8	2	675019	Pin, 1.25 x 14.7	18	2	681668	Spacer
9	4	209591	Retainer	19	4	681672	Spacer

Reference: SK-5189.

Hose Group - Swing Frame



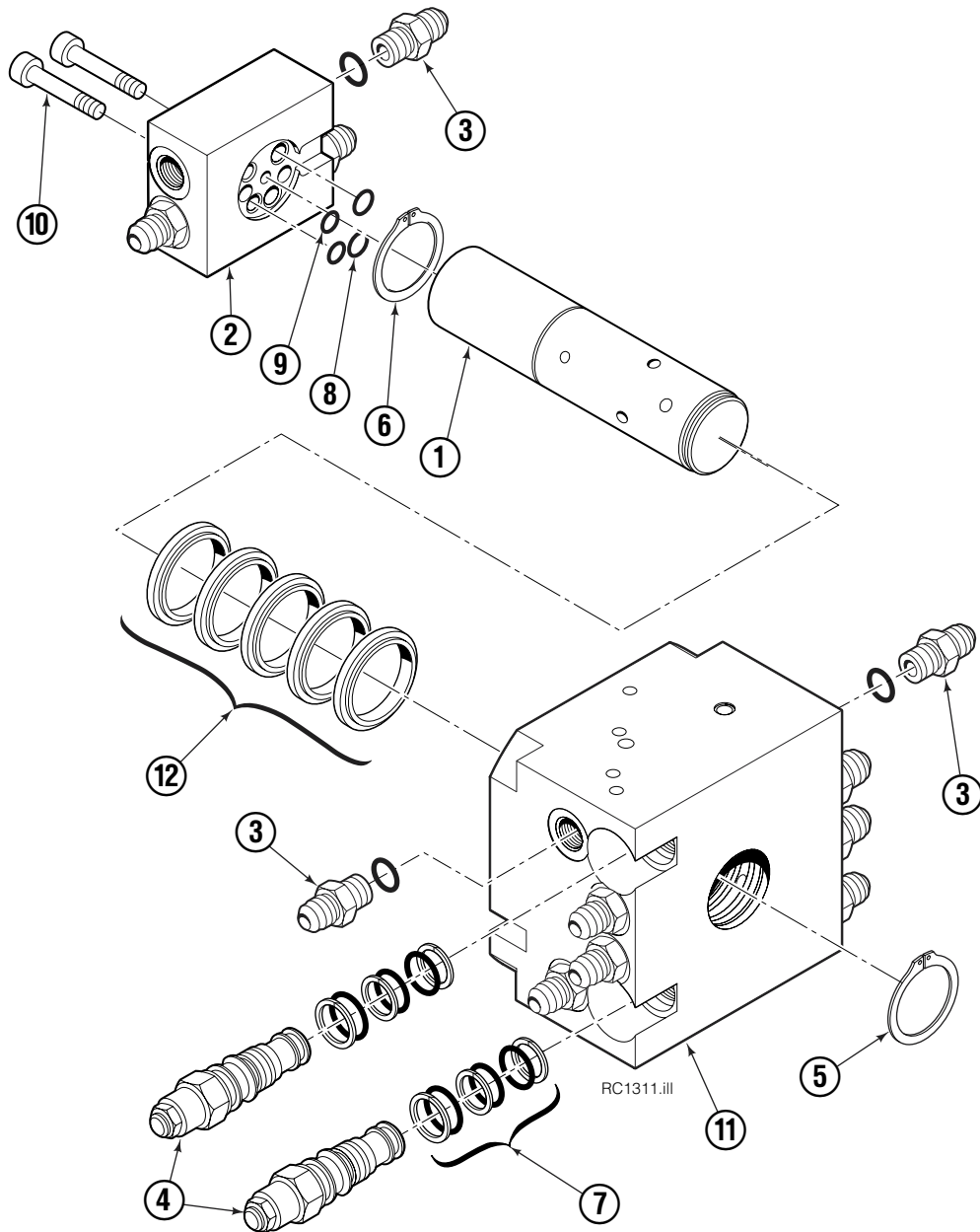
RC1309.iii

90F							
REF	QTY	PART NO.	DESCRIPTION	REF	QTY	PART NO.	DESCRIPTION
		6025898	Hose Group	11	1	675049	Tube
1	2	206606	Angle	12	1	675050	Tube
2	1	6025133	Revolving Connection ▲	13	1	675048	Tube
3	4	675067	Hose, 34.00 in.	14	1	675047	Tube
4	4	6288	Lockwasher, 3/8	15	1	675045	Tube
5	4	3600	Capscrew, 3/8 NC x .625	16	1	675044	Tube
6	8	2347	Fitting, 6-6	17	1	675046	Tube
7	8	674743	Eye Bolt	18	2	649086	Cable Tie
8	4	381146	Hose, 26.30 in.	19	2	208780	Shoulder Bolt
9	1	675051	Tube	20	2	209021	Washer
10	2	675058	Hose, 18.25 in.	21	2	208765	Grommet

▲ See Revolving Connection page for parts breakdown.

Reference: SK-5831.

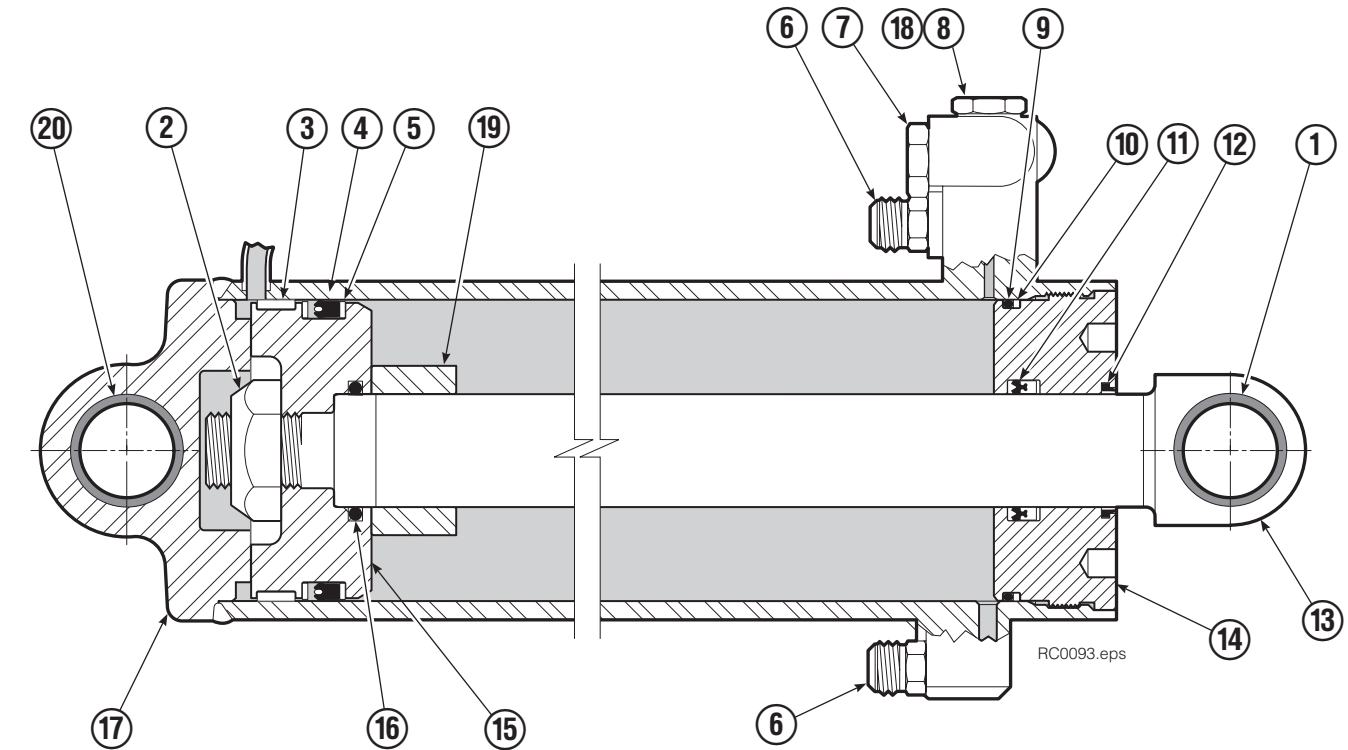
Revolving Connection



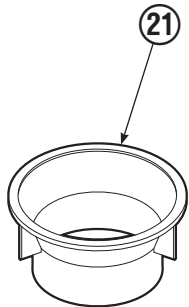
REF	QTY	PART NO.	DESCRIPTION
		6025133	Revolving Connection
1	1	6017883	Shaft
2	1	6017882	End Block
3	14	604511	Fitting, 6
4	2	674732	Counterbalance Valve
5	1	3138	● Retaining Ring
6	1	7341	● Retaining Ring
7	2	667516	Service Kit
8	2	684587	● O-Ring
9	2	613376	● O-Ring
10	2	768797	● Capscrew, M8 x 40
11	1	6018024	Body
12	5	214649	● Shaft Seal
		6018085	Service Kit

● Included in Service Kit 6018085.

Cylinder Assembly



RC0093.eps

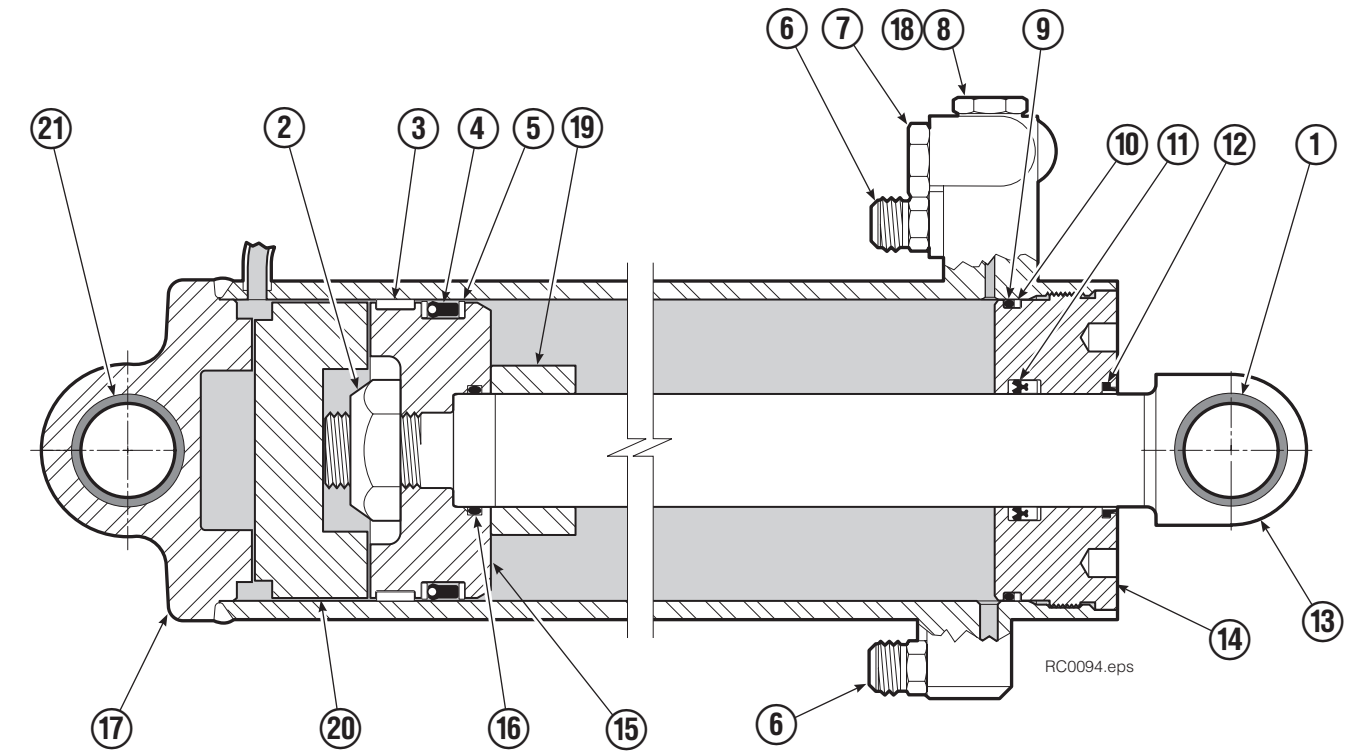


REF	QTY	PART NO.	DESCRIPTION
		385089	Cylinder Assembly
1	1	674843	Bearing
2	1	560997	Nut
3	1	660769	▲ Bearing
4	1	662462	▲ Seal
5	2	638295	▲ Back-Up Ring
6	2	604511	Fitting, 6-6
7	1	556852	Fitting, 4
8	1	557212	Check Valve
9	1	6025373	▲ O-Ring
10	1	615144	▲ Back-Up Ring
11	1	554598	▲ Seal
12	1	564930	▲ Wiper
13	1	584302	Rod
14	1	555724	Retainer
15	1	557389	Piston
16	1	2722	▲ O-Ring
17	1	584300	Shell
18	1	667516	Check Valve Service Kit
19	1	—	Spacer
20	2	675006	Bearing
21	1	669243	Seal Loader
		555725	Service Kit

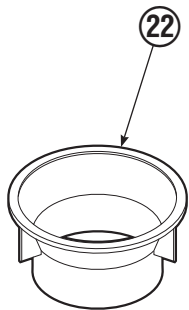
▲ Included in Service Kit 555725.

Reference: S-5313, S-5314.

Cylinder Assembly – Long Arm



RC0094.eps

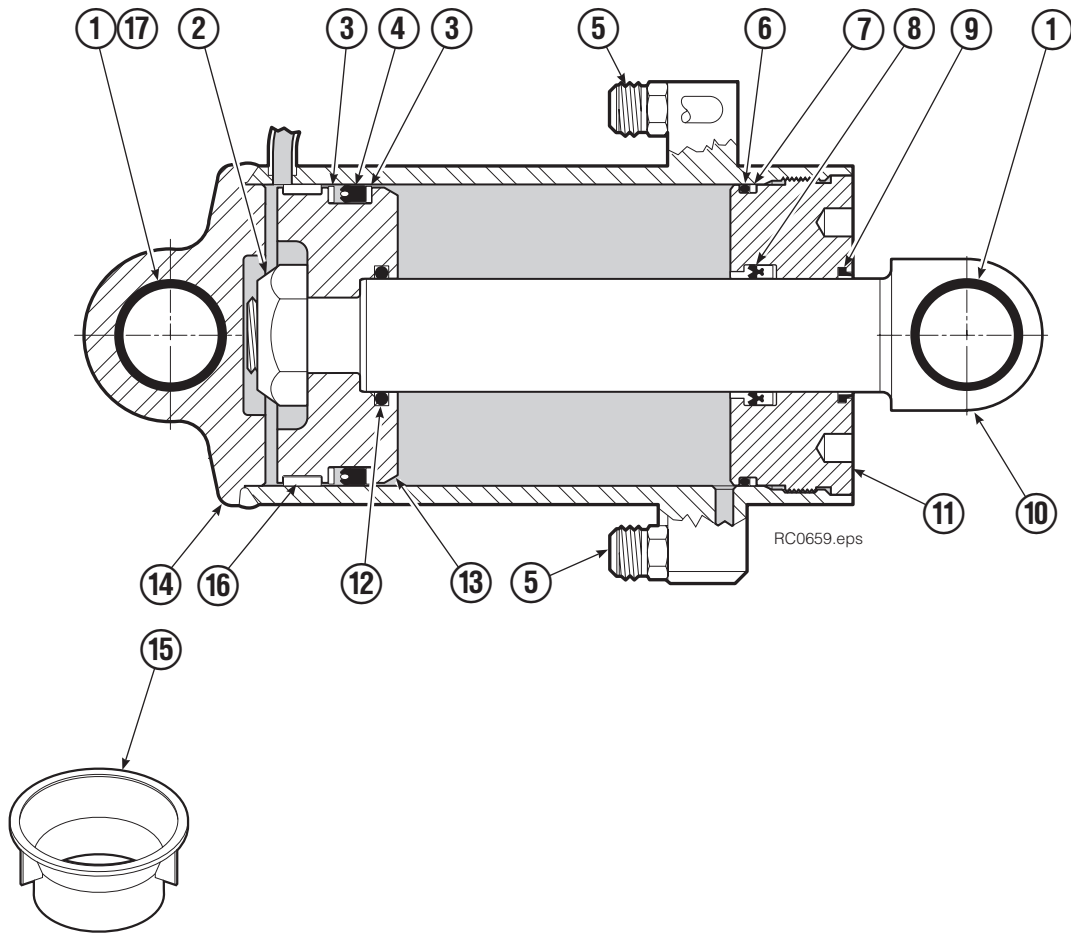


REF	QTY	PART NO.	DESCRIPTION
		381131	Cylinder Assembly
1	1	674843	Bearing
2	1	560997	Nut
3	1	660769	◆ Bearing, Nylon
4	1	662462	◆ Seal
5	2	638295	◆ Nylon Ring
6	2	604511	Fitting, 6-6
7	1	556852	Fitting, 4
8	1	557212	Check Valve
9	1	6025373	◆ O-Ring
10	1	615144	◆ Back-Up Ring
11	1	554598	◆ Seal
12	1	564930	◆ Wiper
13	1	584299	Rod
14	1	555724	Retainer
15	1	557389	Piston
16	1	2722	◆ O-Ring
17	1	584297	Shell
18	1	667516	Check Valve Service Kit
19	1	—	Spacer – Rod (S-5165)
20	1	—	Spacer – Head (S-4353)
21	2	675006	Bearing
22	1	669243	Seal Loader
		555725	Service Kit

◆ Included in Service Kit 555725.

Reference: S-5320, S-5321.

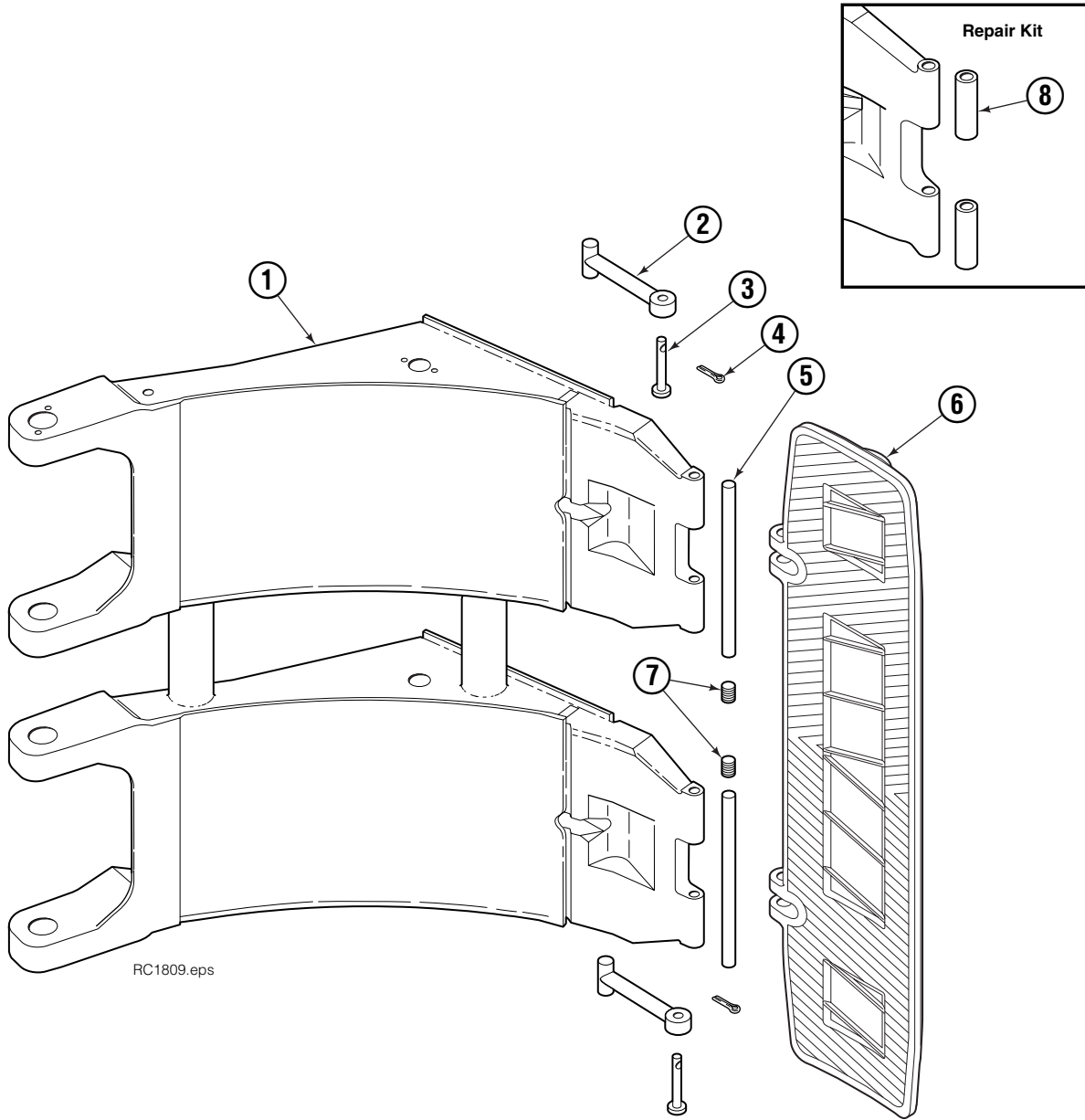
Swing Cylinder Assembly



REF	QTY	PART NO.	DESCRIPTION
		580034	Cylinder Assembly
1	3	674843	Bearing
2	1	561997	Nut
3	2	638295	◆ Nylon Ring
4	1	662462	◆ Seal
5	2	604511	Fitting, 6-6
6	1	2801	◆ O-Ring
7	1	563977	◆ Back-Up Ring
8	1	554598	◆ Seal
9	1	564930	◆ Wiper
10	1	557713	Rod
11	1	555724	Retainer
12	1	2722	◆ O-Ring
13	1	557389	Piston
14	1	555776	Shell
15	1	672910	◆ Seal Loader
16	1	660769	◆ Wear Ring
17	1	558837	Sleeve
		555725	Service Kit

◆ Included in Service Kit 555725.

Contact Pad Group - Short Arm

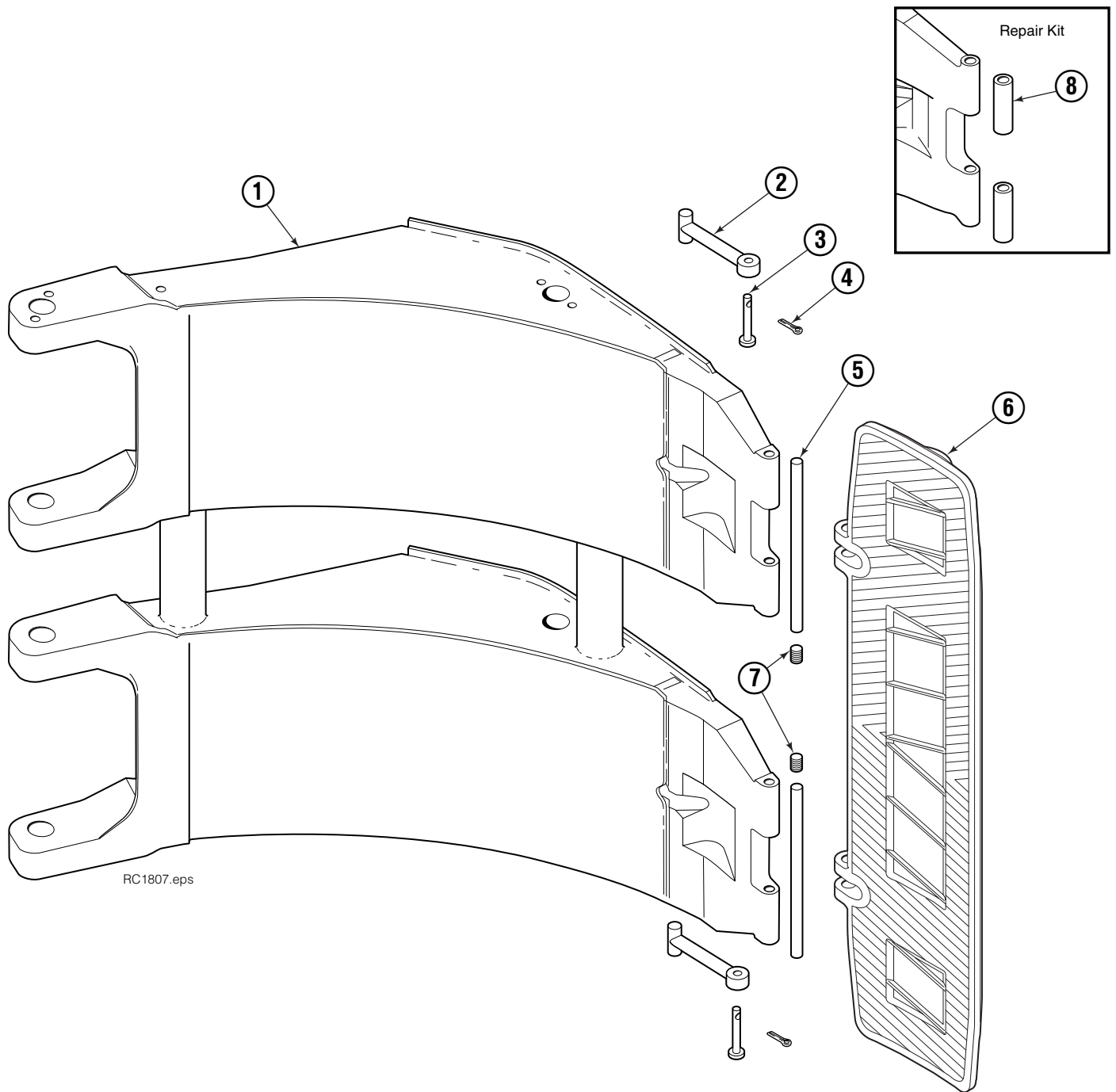


RC1809.eps

REF	QTY	PART NO.	DESCRIPTION
		398938	Contact Pad Group ♦
1	1	385093	Short Arm
2	2	674994	Link
3	2	682978	Clevis Pin
4	2	6525	Cotter Pin
5	2	674993	Pin
6	1	338707	Contact Pad
7	2	689900	Plug
8	1	676810	Arm Tip Repair Kit

♦ Includes items 2-7 only.

Contact Pad Group – Long Arm

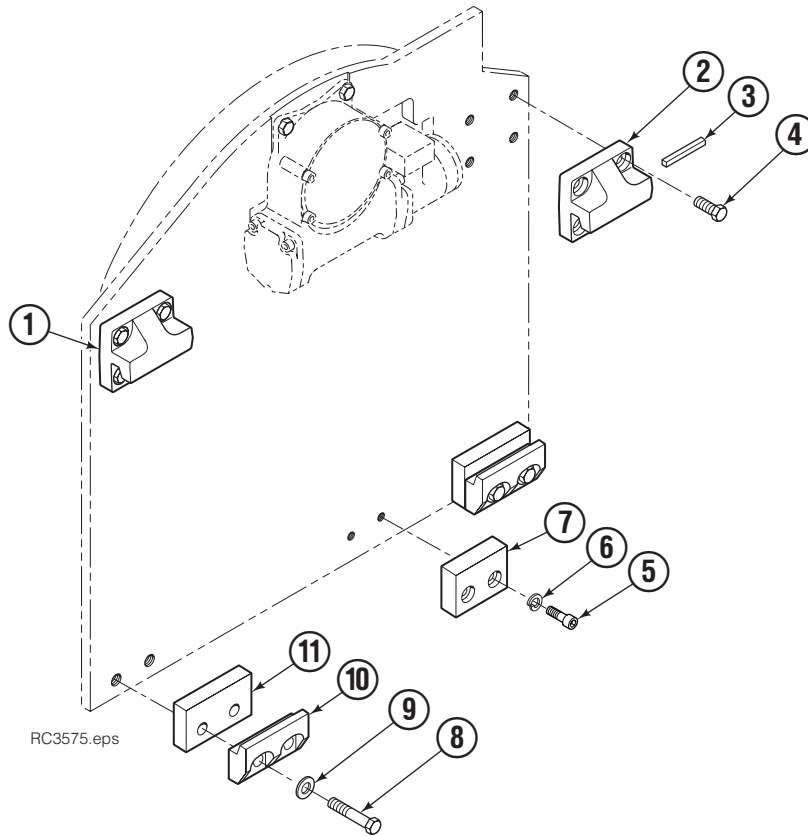


RC1807.eps

REF	QTY	PART NO.	DESCRIPTION
		6086764	Contact Pad Group ▲
1	1	381133	Long Arm
2	2	674994	Link
3	2	682978	Clevis Pin
4	2	6525	Cotter Pin
5	2	674993	Pin
6	1	6086763	Contact Pad
7	2	689900	Plug
8	1	676810	Arm Tip Repair Kit

▲ Includes items 2 - 7 only.

Bolt-On Mounting Group



Class IV, 1.8°			
REF	QTY	PART NO.	DESCRIPTION
		684880	Mounting Group
1	1	684877	Upper Hook - LH
2	1	675061	Upper Hook - RH
3	1	670704	Stop Kit
4	8	679082	Capscrew, M20 x 35
5	2	768810	Capscrew, M10 x 30
6	2	680030	Lockwasher, M10
7	1	681057	Center Spacer
8	4	676854	Capscrew, M20 x 60
9	4	670692	Washer, 3/4
10	2	679832	Lower Hook
11	2	681056	Spacer

Reference: SK-5286.

Do you have questions you need answered right now? Call your nearest Cascade Parts Department. Visit us online at www.cascorp.com

**Cascade Corporation
U.S. Headquarters**
2201 NE 201st
Fairview, OR 97024-9718
Tel: 800-CASCADE (227-2233)
FAX: 888-329-8207

Cascade Canada Inc.
5570 Timberlea Blvd.
Mississauga, Ontario
Canada L4W-4M6
Tel: 905-629-7777
FAX: 905-629-7785

Cascade GmbH
Niederwippekühl 1
58579 Schalksmühle
Germany
Tel: 02355-50900
FAX: 02355-509020

Cascade Finland
A. Petreliuksenkatu 3
01370 Vantaa
Finland
Tel: 09-8361925
FAX: 09-8361935

**Cascade N.V.
Benelux Sales and Service**
Damsluisweg 56
PO Box 3009
1300 El Almere
The Netherlands
Tel: 036-5492950
FAX: 036-5492974

Cascade Kenhar Ltd.
3 Kelbrook Road
Parkhouse Ind. Estate
Openshaw,
Manchester M11 2DD
England
Tel: 0800-243015
FAX: 0161-4384055

**Sales Scotland
Macade Systems Ltd.**
18 Melford Road
Righead Ind. Estate
Bellshill ML4 3LR
Scotland
Tel: 01698-845777
FAX: 01698-845888

Cascade (Africa) Pty. Ltd.
PO Box 625, Isando 1600
60A Steel Road
Sparton, Kempton Park
South Africa
Tel: 27-11-975-9240
FAX: 27-11-394-1147

Cascade Scandinavia AB
Hammarvägen 10
PO Box 124
S-56723 Vaggeryd
Sweden
Tel: 039-336950
FAX: 039-336959

**Cascade France
S.A.R.L. MHP**
1D Rue De Charaintru BP 18,
91360 Epinay-Sur-Orge
France
Tel: 01-6454-7500
FAX: 01-6454-7501

Cascade Hispania S.A.
Carrer 5, Sector C
Zona Franca Duanera
Poligono de la Zona Franca
08040 Barcelona, Spain
Tel: 93-264-07-30
FAX: 93-264-07-31

Cascade Italia S.R.L.
Via Dell'Artigianato 1
37050 Vago di Lavagno (VR)
Italy
Tel: 39-045-8989111
FAX: 39-045-8989160

Movimenta Lda.
Parque Industrial
Vale do Alecrim, Lote 108
2950-403 Palmela
Portugal
Tel: 351-212387340
FAX: 351-212387349

**Sales Switzerland
Fahrzeugbedarf**
8810, Horgen
Switzerland
Tel: 01-7279797
FAX: 01-7279798

Sales Poland
Targowa 35/61
03-728 Warszawa
Tel: 022-619 00 49
FAX: 022-619 00 49
Mobile Tel: 0501-27 29 55

Sales Russia
EMCG Material Handling
Equipment
Moscow
Tel: 095-795-2400
FAX: 095-795-2475
Email: emcg@emcg.ru

Cascade Japan Ltd.
5-5-41,
Torikai Kami
Settsu, Osaka
Japan, 566
Tel: 81-726-53-3490
FAX: 81-726-53-3497

Cascade Korea
121B 9L Namdong Ind.
Complex, 691-8 Gojan-Dong
Namdong-Ku
Inchon, 405-310 Korea
Tel: 82-32-821-2051
FAX: 82-32-821-2055

Cascade Australia
1445 Ipswich Road
Rocklea, QLD 4107
Australia
Tel: 1-800-227-223
FAX: 617-3373-7333

Cascade New Zealand
15 Ra Ora Drive
East Tamaki, Auckland
New Zealand
Tel: 64-9-273-9136
FAX: 64-9-273-9137

Cascade-Xiamen
No. 668 Yangguang Rd.
Xinyang Industrial Zone
Haicang, Xiamen City
Fujian Province
P.R. China 361026
Tel: 86-592-651-2500
FAX: 86-592-651-2571

**Sunstream Industries
Pte Ltd.**
No. 3 Tuas Link 1
2263
Singapore
Tel: 65-6863-3488
FAX: 65-6863-1368

**Cascade do Brasil
Distribuidora de Garras
e Garfos LTDA**
Rua João Guerra, 134
Macuco, Santos - SP
Brasil 11015-130
Tel: 55-13-2105-8800
Fax: 55-13-2105-8899

