



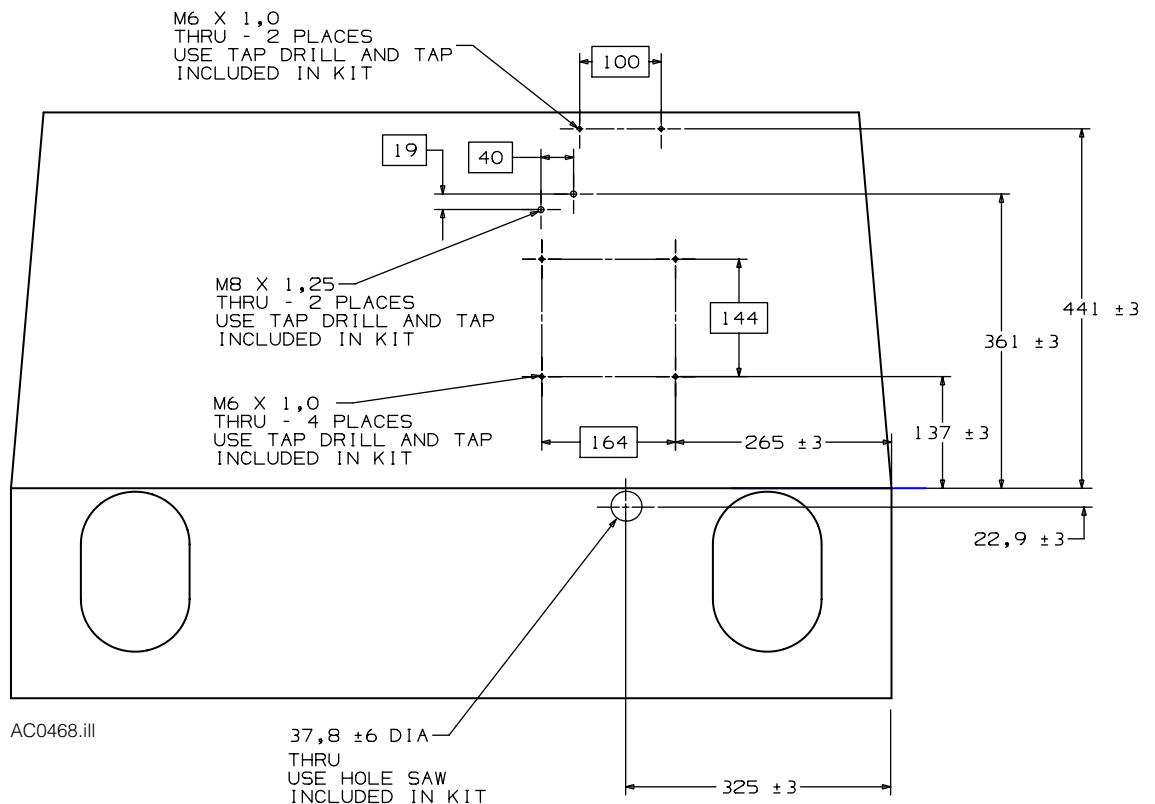
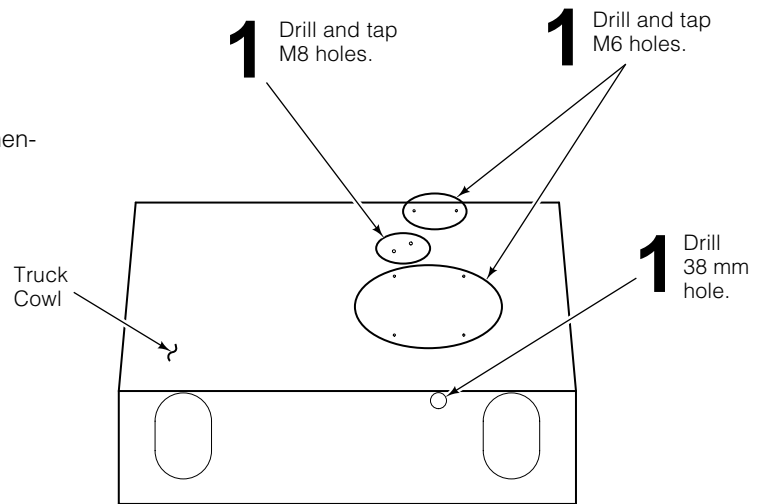
Installation Instructions

Hyster S120XL Adaptive Force Control Installation Kit 6017286

This sheet provides installation instructions for the Cascade AFC Installation Kit. The kit includes brackets, hoses and hardware to install Adaptive Force Control on a Hyster S120XL truck.

Cowl Preparation

- 1 Locate, drill and tap holes in the cowl using the dimensions shown below.



Part No. 6017392

cascade®

For Technical Support . . .

Call: 1-800-227-2233

OR

Write: Cascade Corporation, P.O. Box 20187, Portland, OR 97294

To Order Parts . . .

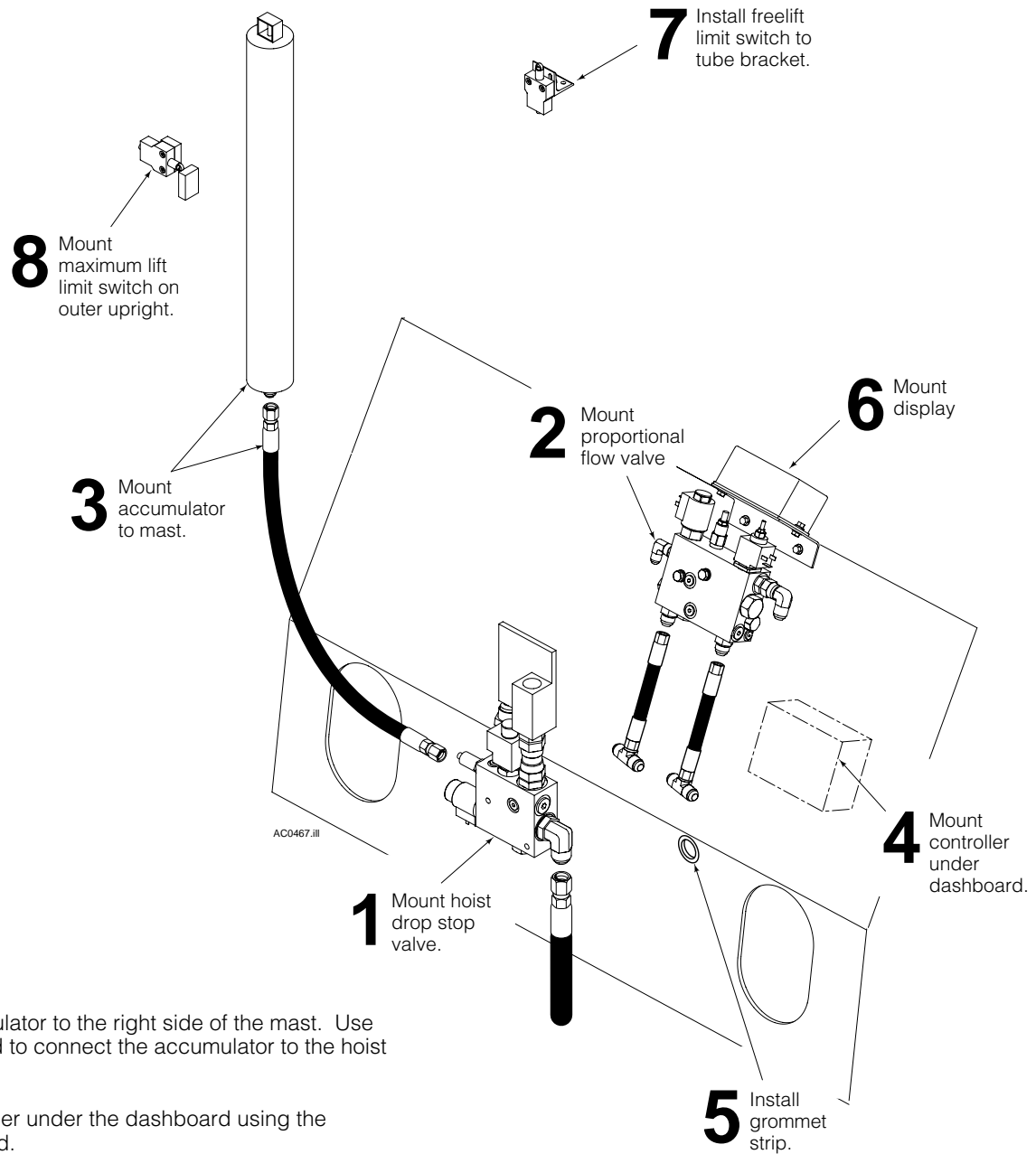
Call: 1-888-227-2233

OR

Write: Cascade Corporation, 2501 Sheridan Ave., Springfield, OH 45505

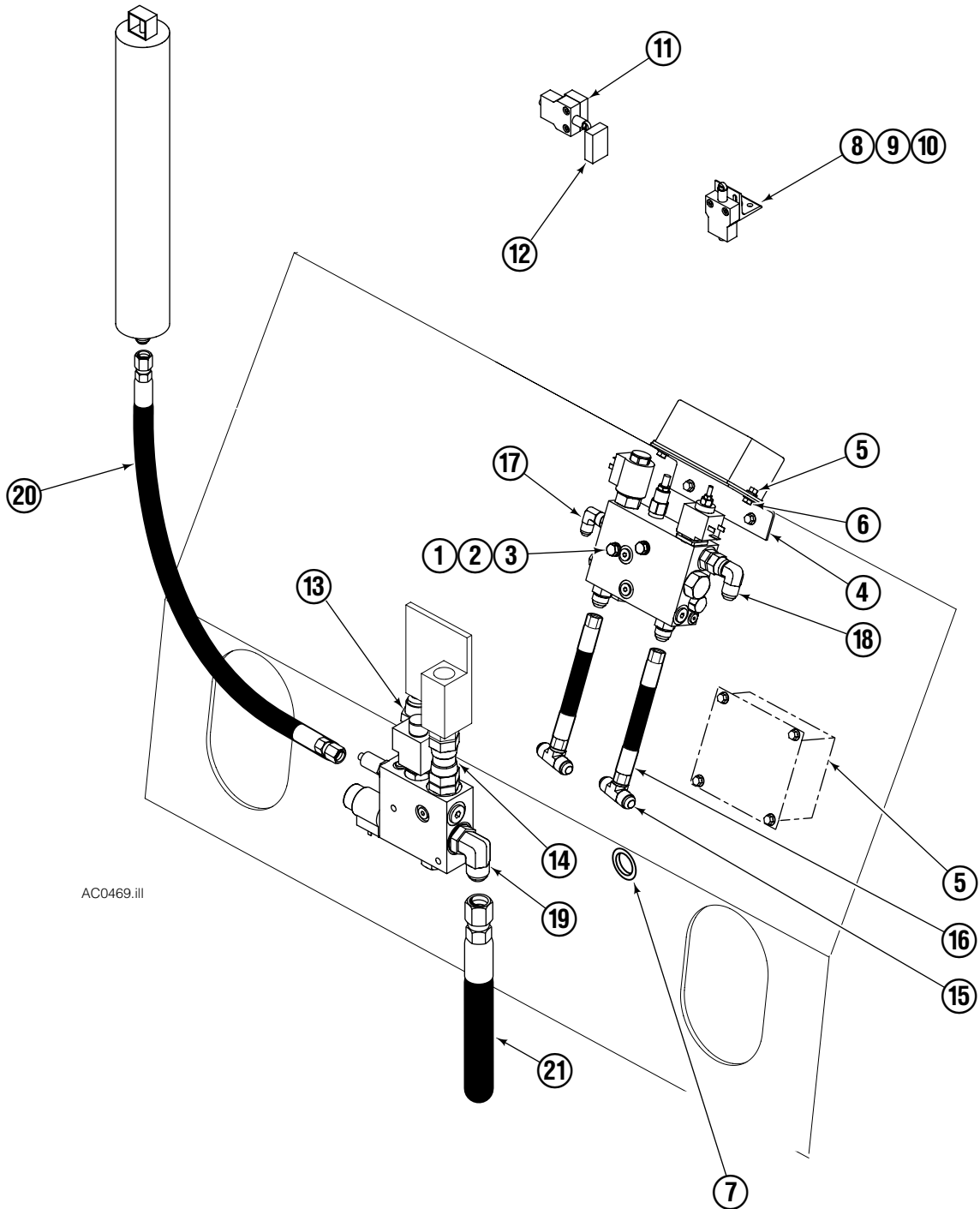
Kit Installation

- 1 When installing the Hoist Drop Stop Valve use the adapter fitting to attach the valve directly to the fitting on the bottom of the mast lowering control valve. Install No. 12 elbow fitting and hose to the valve Hoist Mast port.
- 2 Use the hardware provided to install the Proportional Flow Valve on the truck cowl. Install the hoses and tee fittings to the Proportional Flow Valve. Connect the hoses to the clamp and open ports. Connect the tee fittings to the hose ends. Install the elbow fittings to the side ports on the valve.



- 3 Install the accumulator to the right side of the mast. Use the hose provided to connect the accumulator to the hoist drop stop valve.
- 4 Mount the controller under the dashboard using the hardware supplied.
- 5 Install the grommet strip to the larger hole drilled in the cowl. The strip protects the main cable harness.
- 6 Use the bracket and hardware to install the display to the truck cowl.
- 7 Install the freelif limit switch to the tube bracket using the bracket and hardware supplied.
- 8 Mount the maximum lift limit switch to the outer upright. Weld the mounting block provided to the outer upright. Weld the trigger block to the intermediate upright.

Adaptive Force Control Installation Kit



REF	QTY	PART NO.	DESCRIPTION	REF	QTY	PART NO.	DESCRIPTION
		6017286	AFC Installation Kit	14	1	6013436	Fitting, 12-12
1	2	787398	Washer, M8	15	2	2577	Fitting, 8-8
2	2	206315	Lockwasher, M8	16	2	6017387	Hose
3	2	768528	Capscrew,	17	2	2680	Fitting, 6-6
4	1	6017295	Display Bracket	18	2	605761	Fitting, 8-8
5	8	6017321	Capscrew, M6 x 12	19	4	611300	Fitting, 12-12
6	2	6017322	Nut, M6	20	2	220234	Hose
7	3	6017291	Grommet Strip	21	1	6017288	Hose
8	1	6017294	Bracket	22	1	6009182	Tap, M8 x 1,25
9	4	768220	Capscrew, M5 x 20	23	1	6009185	Drill, 5,30 mm
10	2	6017324	Nut, M5	24	1	6009186	Drill, 7,30 mm
11	1	6017293	Block	25	1	6017287	Hole Saw, 38 mm
12	1	6017292	Block	26	1	6009181	Tap, M6 x 1,0
13	1	2350	Fitting, 12-12				

Do you have questions you need answered right now? Call your nearest Cascade Service Department.

**Cascade Corporation
U.S. Headquarters**
2201 NE 201st
Fairview, OR 97024-9718
Tel: 800-CASCADE (227-2233)
FAX: 888-329-8207

Cascade Canada Inc.
5570 Timberlea Blvd.
Mississauga, Ontario
Canada L4W-4M6
Tel: 905-629-7777
FAX: 905-629-7785

Cascade GmbH
D-41199 Monchengladbach
Klosterhofweg 52
Germany
Tel: 21-66-602091
FAX: 21-66-680947

Cascade Finland
01370 Vantas
Finland
Tel: 358-0-836-1925
FAX: 358-0-836-1935

**Cascade N.V.
European Headquarters**
P.O. Box 3009
1300 El Almere
Damsluisweg 56
1332 ED Almere
The Netherlands
Tel: 31-36-5492911
FAX: 31-36-5492964

**Cascade N.V.
Benelux Sales and Service**
P.O. Box 3009
1300 El Almere
Damsluisweg 56
1332 ED Almere
The Netherlands
Tel: 31-36-5492950
FAX: 31-36-5492974

Cascade (UK) Ltd.
15, Orgreave Crescent
Dore House Industrial Estate
Handsworth
Sheffield S13 9NQ
England
Tel: 742-697524
FAX: 742-695121

**Cascade Scandinavia
Hydraulik A.B.**
Muskötgatan 19, E8-9
S25466 Helsingborg
Sweden
Tel: 42-151135
FAX: 42-152997

Cascade Norway
Østerliveien 37A
1153 Oslo
Norway
Tel: 47-22-743160
FAX: 47-22-743157

Cascade France S.A.R.L.
11, Rue Jean Charcot
Zone Industrielle Sud or
B.P. 22
91421 Morangis Cedex
France
Tel: 1- 64547501
FAX: 1-9790584

Cascade Hispania S.A.
Avenida De La Fabregada, 7
Hospitalet De Llobregat
Barcelona
Spain
Tel: 3-335-5158
FAX: 3-335-4756

Cascade Japan Ltd.
5-5-41,
Torikai Kami
Settsu, Osaka
Japan, 566
Tel: 81-726-53-3490
FAX: 81-726-53-3497

Cascade Korea
Room 508, Pum Yang Bldg.
750-14, Bang Bac-Dong
Se-Cho Ku, Seoul
Korea
Tel: 2599-7131 ext. 512
FAX: 2533-8089

HYCO-Cascade Pty. Ltd.
87 Antimony Street
Carole Park,
Brisbane 4300
Australia
Tel: 7-271-1966
FAX: 7-271-3830

HYCO-Cascade (NZ) Ltd.
15 Ra Ora Drive, East Tamaki
P.O. Box 38-440
Howick, Auckland
New Zealand
Tel: 9-273-9136
FAX: 9-273-9137

Cascade (Africa) Pty. Ltd.
P.O. Box 625, Isando 1600
60A Steel Road
Sparton, Kempton Park
South Africa
Tel: 975-9240
FAX: 394-1147

Cascade-Xiamen
Wanshan No. 1 Workshop
Huli Road
Xiamen 361006
Fujian, PRC
Tel: 592-562-4600
FAX: 592-562-4671

**Cascade (Singapore)
Trading Co.**
Four Seasons Park
Autumn Block - Apt. 1802
12 Cascaden Walk
Singapore
Tel: 65-834-1935
FAX: 65-834-1936