



# Parts Manual

---

Model F-Series Sideshifter

Serial Number 55F-SSS-A066R0

---

**cascade**<sup>®</sup>  
corporation

**For Technical Assistance call:** 800-227-2233, Fax: 888-329-8207

**To Order Parts call:** 888-227-2233, Fax: 888-329-0234

**OR**

**Write:** Cascade Corporation, P.O. Box 20187, Portland, OR 97220

**Internet:** [www.cascorp.com](http://www.cascorp.com)

# INSPECTION & MAINTENANCE



**WARNING:** After completing any service procedure, always test the sideshifter through five complete cycles. First test with no load, then test with a load to make sure the attachment operates correctly before returning it to the job.

## Daily

Check items shown each day. Report problems to your supervisor. See Service Manual for maintenance and repair procedures.

## 100-Hour

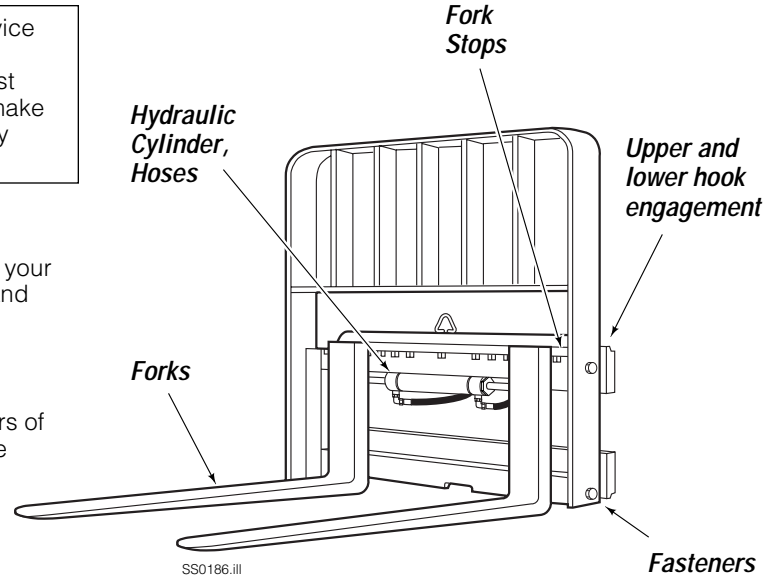
Every time the lift truck is serviced or every 100 hours of truck operation, whichever comes first, complete the following maintenance procedures:

- Check for loose or missing bolts, worn or damaged hoses, hydraulic leaks, and damaged or missing fork stops.
- Inspect clearance between sideshifter lower hooks and truck lower carriage bar (Refer to Step 4, Installation). Tighten lower hook capscrews to 120 ft.-lbs (165 Nm).

## 500-Hour

After each 500 hours of truck operation, in addition to the 100-hour maintenance, perform the following procedures:

- Tighten backrest capscrews (Cascade) to 145 ft.-lbs. (195 Nm).
- Apply general-purpose lithium-based chassis grease to Sideshifter upper and lower bearings.



## 1000-Hour

After each 1000 hours of truck operation, in addition to the 100 and 500-hour maintenance, perform the following procedures:

- Inspect upper and lower bearings for wear. If any bearing is worn to less than 3/32 in. (2.5 mm) thickness, replace the entire bearing set. See Service Manual for replacement procedure.
- Inspect forks for wear (Use Cascade fork bar wear gauge 209560 and fork wear calipers 686093).

# PARTS

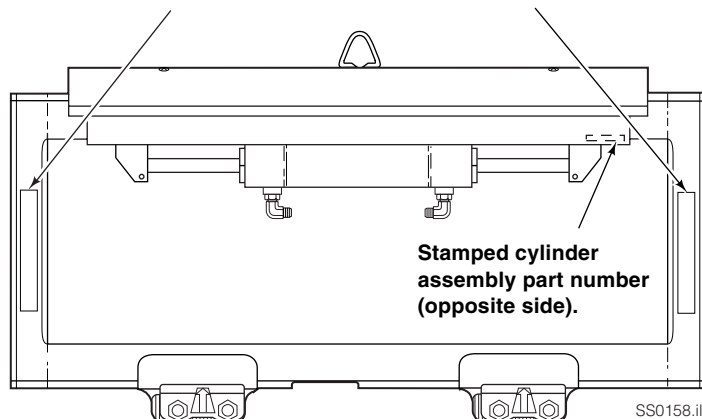
**Product Identification** – This Section shows replacement parts for F-Series Sideshifters. The product model number and serial number are stamped on the back surface of the LH vertical bar (driver's view), and must be provided when ordering replacement parts. The cylinder/anchor bracket assembly part number is stamped on the front surface RH end of the anchor bracket (driver's view).



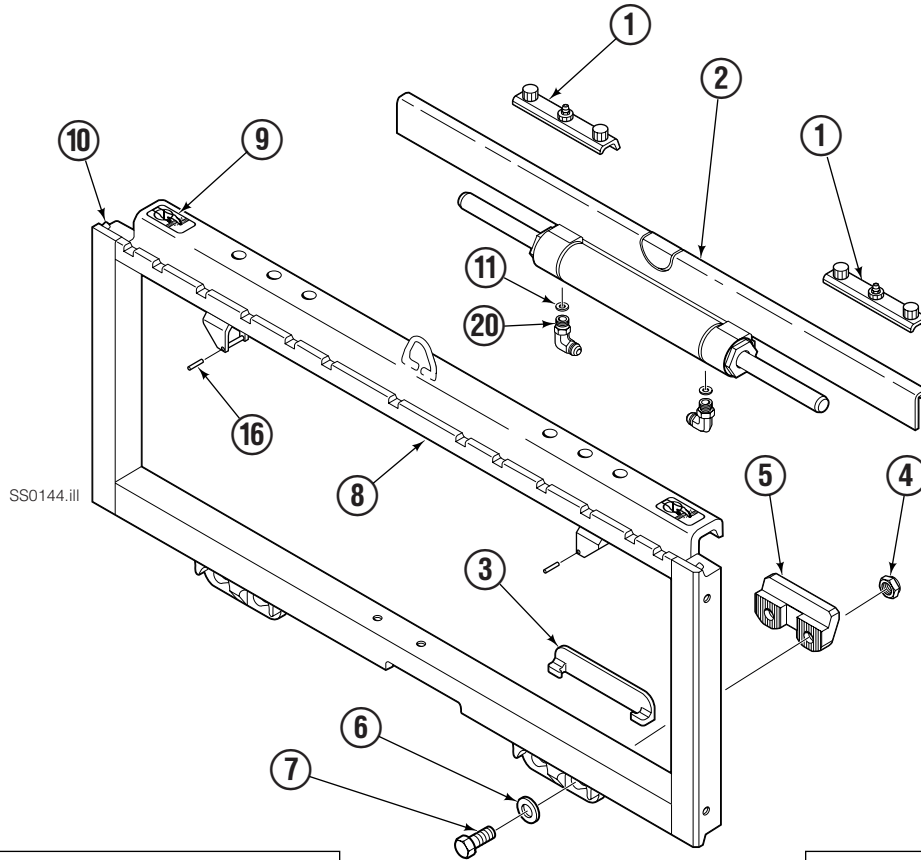
**WARNING:** For the safety of yourself and others, DO NOT install the parts shown in this Manual unless you have thoroughly reviewed the appropriate Service Manual.

Stamped model number, serial number, specifications.

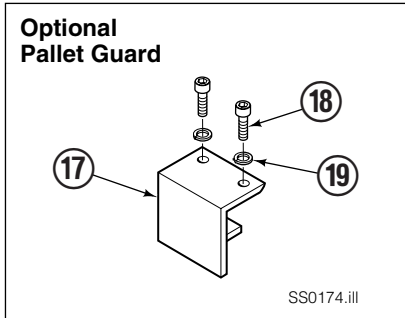
Sticker showing patent numbers, phone numbers for service.



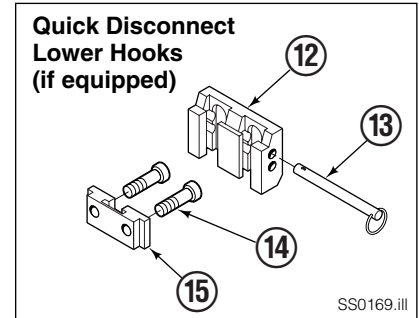
Back (Driver's View)



SS0144.iii



Front View



| 55F |     |          |                                  |     |     |          |                                 |
|-----|-----|----------|----------------------------------|-----|-----|----------|---------------------------------|
| REF | QTY | PART NO. | DESCRIPTION                      | REF | QTY | PART NO. | DESCRIPTION                     |
| 1   | ▼   | 228782   | Upper Bearing                    | 13  | 2   | 678832   | Pin, Q.D.                       |
| 1   | ▼   | 218363   | Upper Bearing, Bronze (optional) | 14  | 4   | 683182   | Capscrew, M16 x 35              |
| 2   | 1   | 21006-15 | Cylinder Assembly ■              | 15  | 2   | 675515   | Guide                           |
| 3   | ▼   | 6000719  | Lower Bearing                    | 16  | 2   | 7891     | Roll Pin                        |
| ★ 4 | 4   | 553857   | Nut, 5/8 NC, G5                  | ◆17 | 1   | 220689   | Pallet Guard                    |
| ★ 4 | 4   | 781534   | Nut, M16                         | ◆18 | 2   | 769573   | Capscrew, M16                   |
| ★ 5 | 2   | 204186   | Lower Hook                       | ◆19 | 2   | 684586   | Lockwasher                      |
| ★ 6 | 4   | 667225   | Washer, 5/8 HS                   |     | 2   | 601676   | Fitting-90, JIC 6-6             |
| ★ 7 | 4   | 639121   | Capscrew, 5/8 NC x 1.5, G5       |     | 2   | 207304   | Fitting-90, JIC 6-6, Long       |
| ★ 7 | 4   | 766154   | Capscrew, M16 x 45, G8.8         |     | 2   | 667222   | Fitting-90, JIC 5-6             |
| 8   | 1   | 10090-90 | Frame ●                          | 20  | 2   | 666984   | Fitting-90, JIC 4-6             |
| 9   | 2   | 221906   | Safety Decal                     |     | 2   | 604511   | Fitting-STR, JIC 6-6            |
| 10  | 1   | 219400   | Fork Stop Kit (Includes 2 stops) |     | 2   | 211807   | Fitting-90, Face Seal Adpt 4-6  |
| 11  | 2   | 209648   | Flow Restrictor, 1.27 mm         |     | 2   | 220832   | Fitting-STR, Face Seal Adpt 4-6 |
| 12  | 2   | 675514   | Q.D. Lower Hook, Class II        |     | 1   | 204182   | Lower Hook Service Kit          |

● If Frame needs replacing, order complete Sideshift Assembly.

★ Included in Lower Hook Group 204182.

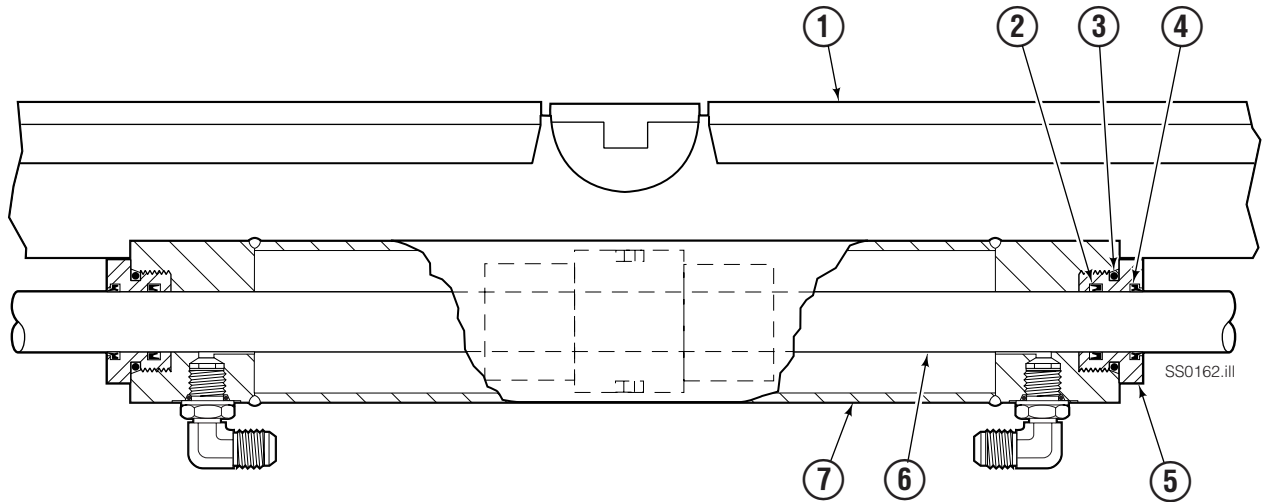
■ See Cylinder page for parts breakdown.

▼ Quantity as required.

Reference: Fitting Group 204179, Common Parts 219614, Restrictor Washer Group 209647.

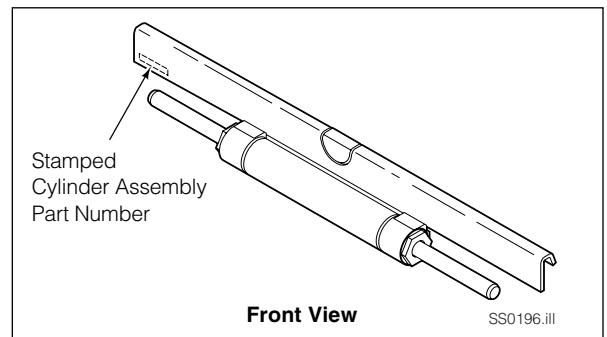
# PARTS

## Cylinder Assembly



| 55F |     |           |                       |
|-----|-----|-----------|-----------------------|
| REF | QTY | PART NO.  | DESCRIPTION           |
| 1   | 1   | 21006-15◆ | Cylinder Assembly     |
| ●2  | 2   | 562132    | Rod Seal              |
| ●3  | 2   | 415866    | O-Ring, 70 Duro       |
| ●4  | 2   | 562131    | Rod Wiper Seal        |
| 5   | 2   | 218324    | Retainer/Seal Carrier |
| 6   | —   | ■         | Rod/Piston Assembly   |
| 7   | —   | ■         | Cylinder Shell        |
|     |     | 219868    | Rod Seal Service Kit  |

- Included in Service Kit 219868.
  - Not serviceable, order new Cylinder Assembly.
  - ◆ Refer to complete part number stamped on anchor bracket, or serial number stamped on frame.
- Reference: S-21006.



## Recommended Spare Parts

| 55F                           |                      | UNITS SERVICED |      |       |
|-------------------------------|----------------------|----------------|------|-------|
| PART NUMBER                   | DESCRIPTION          | 1-5            | 6-19 | 20-50 |
| <b>BASE UNIT AND MOUNTING</b> |                      |                |      |       |
| 228782                        | Upper Bearing        | 8              | 16   | 32    |
| 6000719                       | Lower Bearing        | 6              | 12   | 24    |
| 204186                        | Lower Hook           | 0              | 2    | 4     |
| ■                             | Capscrew             | 0              | 4    | 8     |
| ■                             | Nut                  | 0              | 4    | 8     |
| 667225                        | Washer               | 0              | 4    | 8     |
| <b>CYLINDER</b>               |                      |                |      |       |
| 10039-4■                      | Cylinder Assembly    | 0              | 0    | 1     |
| 219868                        | Cylinder Service Kit | 1              | 2    | 4     |

■ See specific parts page for part number.

## Publications



| 55F      |  |
|----------|--|
| PART NO. | DESCRIPTION                                  |
| 219941   | User Manual (Operation, Installation, Parts) |
| 220526   | Service Manual                               |
| 679929   | Tool Catalog                                 |
| 673964   | Literature Index Order Form                  |

**Do you have questions you need answered right now?** Call your nearest Cascade Parts Department. Visit us online at [www.cascorp.com](http://www.cascorp.com)

**Cascade Corporation**  
2501 Sheridan Avenue  
Springfield, OH 45505  
Tel: 888-CASCADE (227-2233)  
FAX: 888-329-0234

**Cascade Canada Inc.**  
5570 Timberlea Blvd.  
Mississauga, Ontario  
Canada L4W-4M6  
Tel: 905-629-7777  
FAX: 905-629-7785

**Cascade GmbH**  
D-41199 Monchengladbach  
Klosterhofweg 52  
Germany  
Tel: 49-216-668230  
FAX: 49-216-6682323

**Cascade Finland**  
Albert Petreliuksenkatu 3  
01370 Vantaa  
Finland  
Tel: 358-9-836-1925  
FAX: 358-9-836-1935

**Cascade N.V.  
European Headquarters**  
P.O. Box 3009  
1300 El Almere  
Damsluisweg 56  
1332 ED Almere  
The Netherlands  
Tel: 31-36-5492911  
FAX: 31-36-5492964

**Cascade N.V.  
Benelux Sales and Service**  
P.O. Box 3009  
1300 El Almere  
Damsluisweg 56  
1332 ED Almere  
The Netherlands  
Tel: 31-36-5492950  
FAX: 31-36-5492974

**Cascade (UK) Ltd.**  
15, Orgreave Crescent  
Dore House Industrial Estate  
Handsworth  
Sheffield S13 9NQ  
England  
Tel: 742-697524  
FAX: 742-695121

**Cascade Scandinavia AB**  
Box 124  
Hammarvägen 10  
567 23 Vaggeryd  
Sweden  
Tel: 42-0-393-36950  
FAX: 46-0-393-36959

**Cascade Norway**  
Østerliveien 37A  
1153 Oslo  
Norway  
Tel: 47-22-743160  
FAX: 47-22-743157

**Cascade France S.A.R.L.**  
1D Rue De Charaintru  
BP 18, 91360 Epinay-Sur-Orge  
Morangis Cedex, France  
Tel: 33-1- 64547500  
FAX: 33-1-64547501

**Cascade Hispania S.A.**  
Carrer 5 Sector C  
Zona Franca Duanera  
Poligono de la Zon Franca  
08040 Barcelona, Spain  
Office No. 256  
Tel: 93-264-07-30  
FAX: 93-264-07-31

**Cascade Japan Ltd.**  
5-5-41,  
Torikai Kami  
Settsu, Osaka  
Japan, 566  
Tel: 81-726-53-3490  
FAX: 81-726-53-3497

**Cascade Korea**  
108B, Namdong Ind Complex  
658-3 Gojan-Dong  
Namdong-Gu  
Inchon, 405-310 Korea  
Tel: 82-32-821-2051  
FAX: 82-32-821-2055

**Cascade Australia**  
1445 Ipswich Road  
Rocklea, QLD 4106  
Australia  
Tel: 1-800227-223  
FAX: (07) 3373-7333

**Cascade New Zealand**  
15 Ra Ora Drive  
East Tamaki, Auckland  
New Zealand  
Tel: 9-273-9136  
FAX: 9-273-9137

**Cascade (Africa) Pty. Ltd.**  
P.O. Box 625, Isando 1600  
60A Steel Road  
Sparton, Kempton Park  
South Africa  
Tel: 27-11-975-9240  
FAX: 27-11-394-1147

**Cascade-Xiamen**  
No. 668 Yangguang Rd.  
Xinyang Industrial Zone  
Haicang, Xiamen City  
Fujian Province  
P.R. China 361026  
Tel: 86-592-651-2500  
FAX: 86-592-651-2571

**Cascade (Singapore)  
Trading Co.**  
Four Seasons Park  
Autumn Block - Apt. 1802  
12 Cuscaden Walk  
Singapore  
Tel: 65-834-1935  
FAX: 65-834-1936

