




Technical Bulletin

Layer Picker Mast Lubrication

This sheet describes mandatory lubrication for Cascade Layer Picker Uprights every 100 hours. Regular application will prevent the mast uprights flaking. Refer to Service Manual 230444 for other required maintenance.

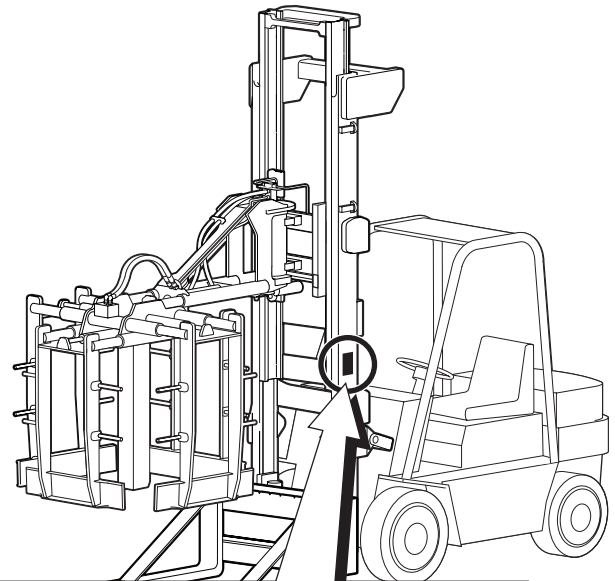
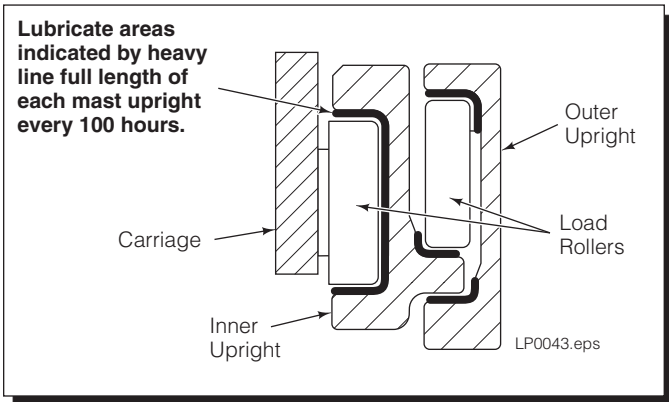
 **WARNING:** Failure to lubricate uprights properly may result in flaking material that can get into the operator's eyes and cause personal injury.

Use one of the following Cascade approved lubricants:

- Cascade Lube Part No. 599474 - Aerosol
- Chevron Open Gear Grease - Aerosol
- Castrol Molub Alloy 936 - Cartridge

IMPORTANT: Regular application of Cascade approved lube will prevent premature mast rail, roller and thrust block wear.

Determine areas to lubricate:



Attach the decals (Part No. 6080170) to both sides of the mast.

CAUTION
Lubricate uprights every 100 hours
See Service Manual for other required periodic maintenance.

Lubricate areas indicated by heavy line the full length of each upright.

Approved Lubricants:
Cascade Lube Part No. 599474 - Aerosol
Chevron Open Gear Grease - Aerosol
Castrol Molub Alloy 936 - Cartridge

LP0291.eps

NOTE: This information should not be interpreted as the basis for warranty claims unless so designated.



For Technical Support . . .

Call: 1-800-CASCADE (227-2233)

OR

Write: Cascade Corporation, PO Box 20187, Portland, OR 97294-0187

To Order Parts . . .

Call: 1-888-CASCADE (227-2233)

OR

Write: Cascade Corporation, 2501 Sheridan Ave., Springfield, OH 45505