



Parts Manual

Model _____ Fork Positioner

Serial Number _____ 55F-FPS-253

cascade[®]
corporation

For Technical Assistance call: 800-227-2233, Fax: 888-329-8207

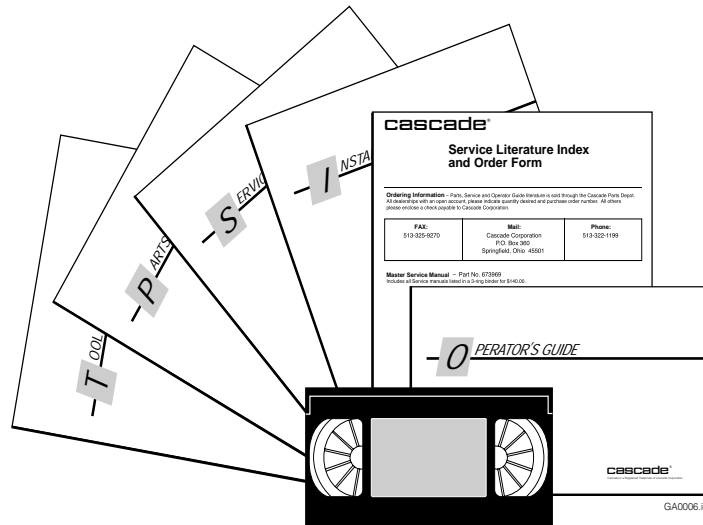
To Order Parts call: 888-227-2233, Fax: 888-329-0234

OR

Write: Cascade Corporation, P.O. Box 20187, Portland, OR 97220

Internet: www.cascorp.com

Publications

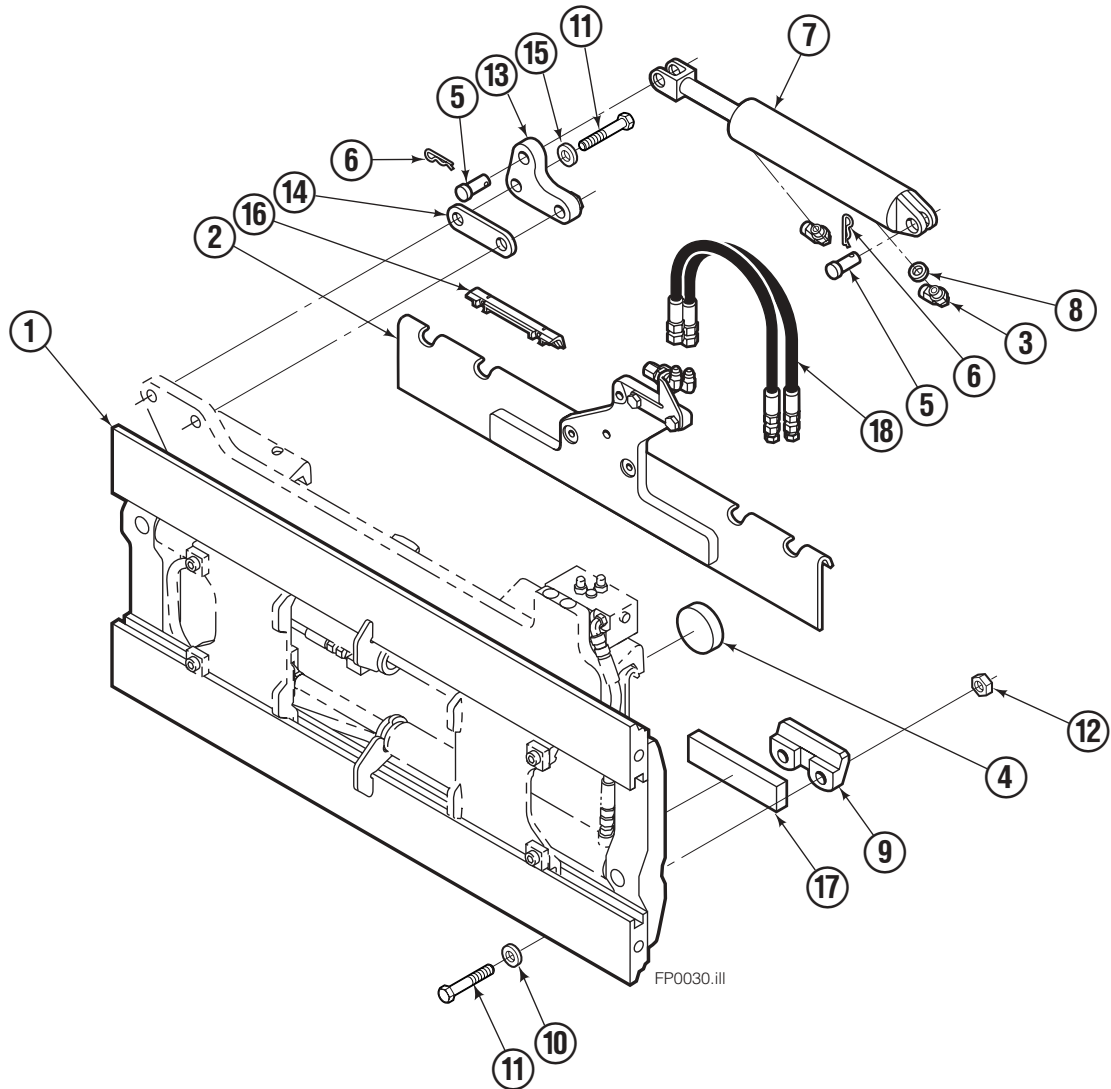


| 55F | |
|----------|---------------------------------|
| PART NO. | DESCRIPTION |
| | Parts Manual |
| 208743 | Service Manual |
| 688261 | Operators Guide |
| 207363 | Installation Instructions |
| 680664 | Servicing Cascade Cylinders-VHS |
| 679929 | Tool Catalog |
| 673964 | Literature Index Order Form |

Safety Decals



Mounting Group Sideshifting



Reference:
BC-101
SK-5981
2S-3988

55F

| REF | QTY | PART NO. | DESCRIPTION | REF | QTY | PART NO. | DESCRIPTION |
|-----|-----|----------|------------------------------|-----|-----|----------|--------------------------|
| | | 207326 | Sideshifting Mounting-37" ■● | 10 | 4 | 667225 | Washer |
| 1 | 1 | 395315 | Frame-37" ■ | 11 | 6 | 766154 | Capscrew, M16x2,0x40-8.8 |
| 2 | 1 | 207184 | Anchor Bracket-37" ■ | 12 | 4 | 678990 | Nut |
| 3 | 2 | 601676 | Fitting, 6-6 | 13 | 1 | 206909 | Lug |
| 4 | 1 | 206917 | Center Bearing-49" only | 14 | 1 | 206910 | Spacer |
| 5 | 2 | 678525 | Clevis Pin | 15 | 2 | 684355 | Lockwasher |
| 6 | 2 | 672726 | Hairpin Cotter | 16 | 2 | 204187 | Upper Bearing |
| 7 | 1 | 675548 | Cylinder Assembly ◆ | 17 | 2 | 207209 | Lower Bearing |
| 8 | 1 | 675550 | Washer (orifice .085) | 18 | 2 | 207578 | Hose |
| 9 | 2 | 204186 | Lower Hook | | | | |

- Carriage width.
- Includes items 2 through 17.
- ◆ See Cylinder page for parts breakdown.

Sideshift Cylinder ITA Class III

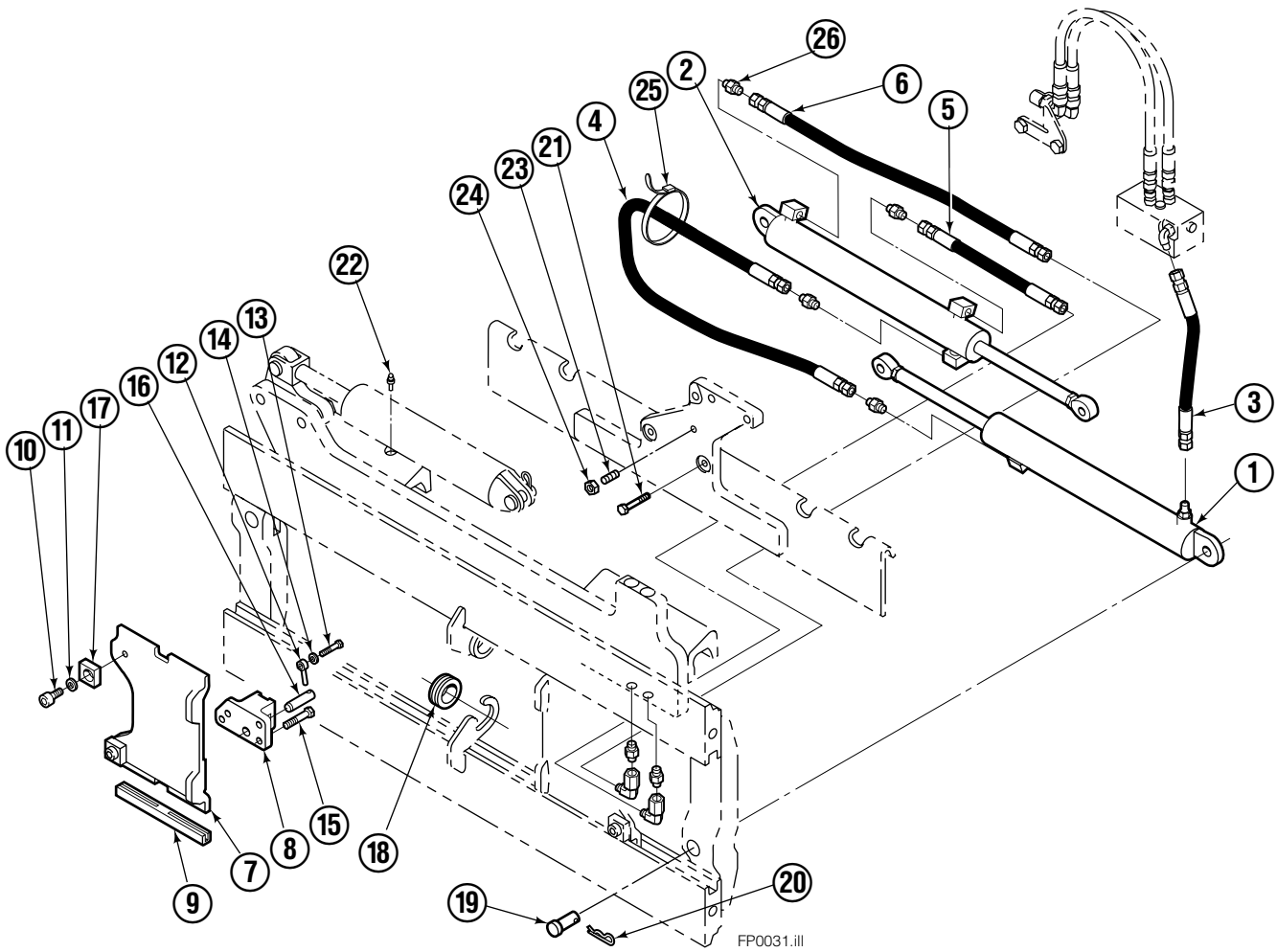


FP0126.ill

| 55F | | | |
|-----|-----|----------|---------------------------|
| REF | QTY | PART NO. | DESCRIPTION |
| | | 675548 | Cylinder Assembly |
| 1 | 1 | 553857 | Nut |
| 2 | 1 | 662452 | ■ Seal |
| 3 | 1 | 553501 | Piston |
| 4 | 1 | 636851 | ■ Wiper |
| 5 | 1 | 638247 | ■ Back-up Ring |
| 6 | 1 | 675550 | Washer (orifice .085 in.) |
| 7 | 1 | 675549 | Shell |
| 8 | 1 | 553449 | Rod |
| 9 | 1 | 2785 | ■ O-Ring |
| 10 | 1 | 615128 | ■ Back-up Ring |
| 11 | 1 | 553500 | Retainer |
| 12 | 1 | 553856 | Retaining Ring |
| 13 | 1 | 7202 | Snap Ring |
| 14 | 1 | 641835 | ■ Seal |
| | | 553861 | Service Kit |

■ Included in Service Kit 553861.

Hydraulic/Fork Group



| 55F | | | | | | | |
|-----|-----|----------|------------------------------|-----|-----|----------|----------------|
| REF | QTY | PART NO. | DESCRIPTION | REF | QTY | PART NO. | DESCRIPTION |
| | | 207220 | Hydraulic Group – 37 in. ■ ● | 13 | 2 | 763169 | Capscrew |
| | | 206912 | Fork Group □ | 14 | 2 | 680217 | Lockwasher |
| 1 | 1 | 583943 | Cylinder Assembly, LH ◆ | 15 | 8 | 206924 | Capscrew |
| 2 | 1 | 583951 | Cylinder Assembly, RH ◆ | 16 | 2 | 206925 | Pin |
| 3 | 1 | 207563 | Hose | 17 | 4 | 207552 | Block |
| 4 | 1 | 207564 | Hose | 18 | 2 | 206916 | Grommet |
| 5 | 1 | 207565 | Hose | 19 | 2 | 206926 | Clevis Pin |
| 6 | 1 | 207566 | Hose | 20 | 2 | 207210 | Hairpin Cotter |
| 7 | 2 | 207208 | Fork Carrier | 21 | 2 | 768551 | Capscrew |
| 8 | 2 | 206914 | Lug | 22 | 2 | 7403 | Grease Fitting |
| 9 | 4 | 206915 | Bearing | 23 | 1 | 768753 | Setscrew |
| 10 | 4 | 206922 | Capscrew | 24 | 1 | 207211 | Jam Nut |
| 11 | 4 | 678991 | Lockwasher | 25 | 1 | 200008 | Cable Tie |
| 12 | 2 | 206923 | Eyebolt | 26 | 6 | 617915 | Fitting, 4-4 |

■ Carriage width.

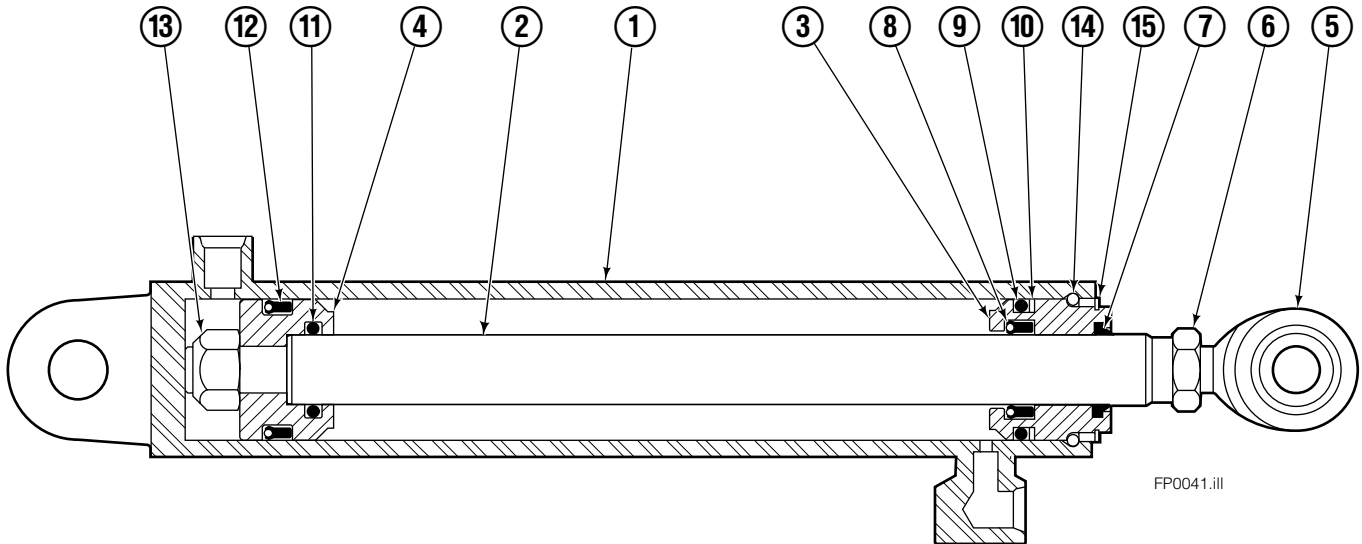
◆ See Cylinder page for parts breakdown.

Reference: BC-101, S-5981, S-3990.

● Includes items 1 through 6.

□ Includes items 7 through 26.

Left Hand Cylinder



FP0041.iii

55F

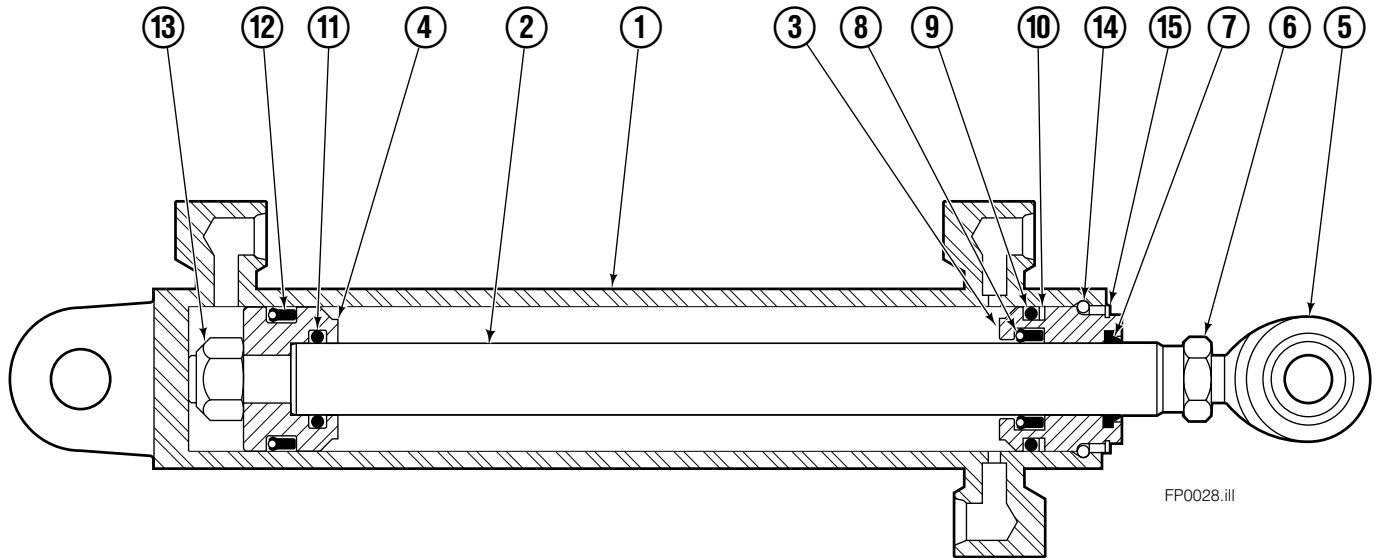
| REF | QTY | PART NO. | DESCRIPTION |
|-----|-----|----------|---------------------------|
| | | 583943 | Cylinder Assembly - 37" ■ |
| 1 | 1 | 564168 | Shell - 37" ■ |
| 2 | 1 | 564184 | Rod - 37" ■ |
| 3 | 1 | 685664 | Retainer |
| 4 | 1 | 685665 | Piston |
| 5 | 1 | 564193 | ● Rod End |
| 6 | 1 | 5718 | ● Nut |
| 7 | 1 | 636850 | ● Rod Wiper |
| 8 | 1 | 646540 | ● Rod Seal |
| 9 | 1 | 2718 | ● O-Ring |
| 10 | 1 | 615122 | ● Back-up Ring |
| 11 | 1 | 2710 | ● O-Ring |
| 12 | 1 | 663728 | ● Piston Seal |
| 13 | 1 | 563462 | Piston Nut |
| 14 | 1 | 563916 | Retaining Ring |
| 15 | 1 | 3137 | Snap Ring |
| | | 684827 | Service Kit |

■ Carriage width.

● Included in Service Kit 684827.

Reference: S-6140, S-6141.

Right Hand Cylinder



| 55F | | | |
|-----|-----|----------|---------------------------|
| REF | QTY | PART NO. | DESCRIPTION |
| | | 583951 | Cylinder Assembly - 37" ■ |
| 1 | 1 | 564176 | Shell - 37" ■ |
| 2 | 1 | 564184 | Rod - 37" ■ |
| 3 | 1 | 685664 | Retainer |
| 4 | 1 | 685665 | Piston |
| 5 | 1 | 564193 | ● Rod End |
| 6 | 1 | 5718 | ● Nut |
| 7 | 1 | 636850 | ● Rod Wiper |
| 8 | 1 | 646540 | ● Rod Seal |
| 9 | 1 | 2718 | ● O-Ring |
| 10 | 1 | 615122 | ● Back-up Ring |
| 11 | 1 | 2710 | ● O-Ring |
| 12 | 1 | 663728 | ● Piston Seal |
| 13 | 1 | 563462 | Piston Nut |
| 14 | 1 | 563916 | Retaining Ring |
| 15 | 1 | 3137 | Snap Ring |
| | | 684827 | Service Kit |

■ Carriage width.

● Included in Service Kit 684827.

Reference: S-6138, S-6139.

Flow Divider Group

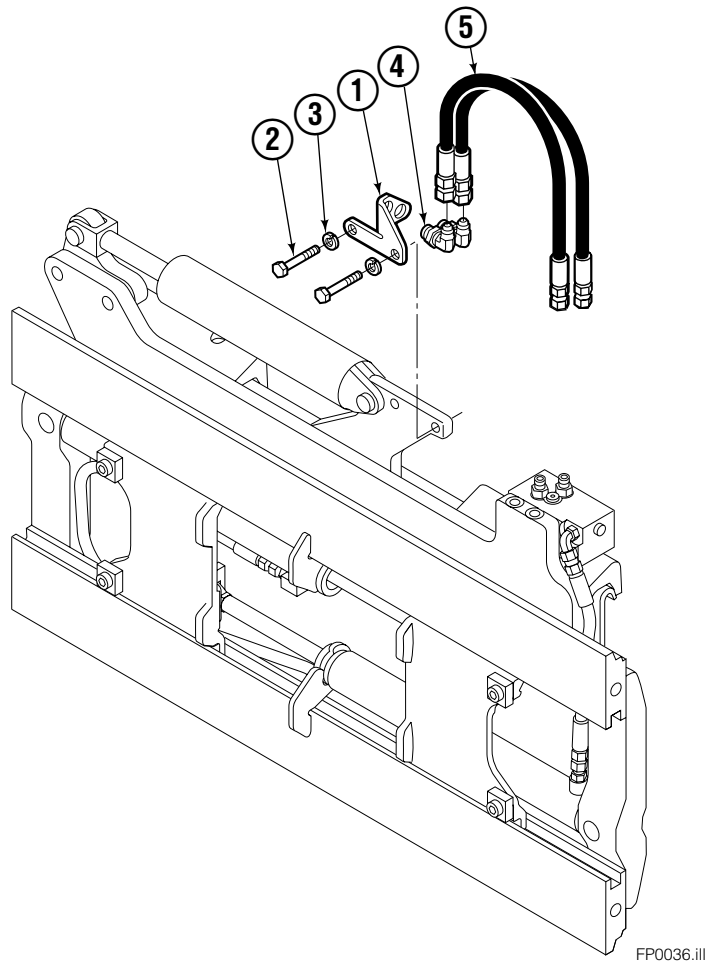


FP0035.iii

| 55F | | | |
|------------|-----|----------|--------------------|
| REF | QTY | PART NO. | DESCRIPTION |
| | | 206921 | Flow Divider Group |
| 1 | 1 | 206919 | Valve ■ |
| 2 | 1 | 206918 | Valve Body |
| 3 | 1 | 207301 | Cartridge-Combiner |
| 4 | 2 | 663694 | Fitting, 3 |
| 5 | 2 | 617915 | Fitting, 4-4 |
| 6 | 1 | 617917 | Fitting, 4-4 |
| 7 | 1 | 679992 | Service Kit |
| 8 | 3 | 685105 | Capscrew |
| 9 | 3 | 678993 | Lockwasher |
| 10 | 2 | 207300 | O-Ring |
| 11 | 6 | 617915 | Fitting, 4-4 |
| 12 | 2 | 617641 | Fitting, 4-4 |
| 13 | 2 | 609234 | Fitting, 4-4 |
| 14 | 1 | 617916 | Fitting, 4-4 |

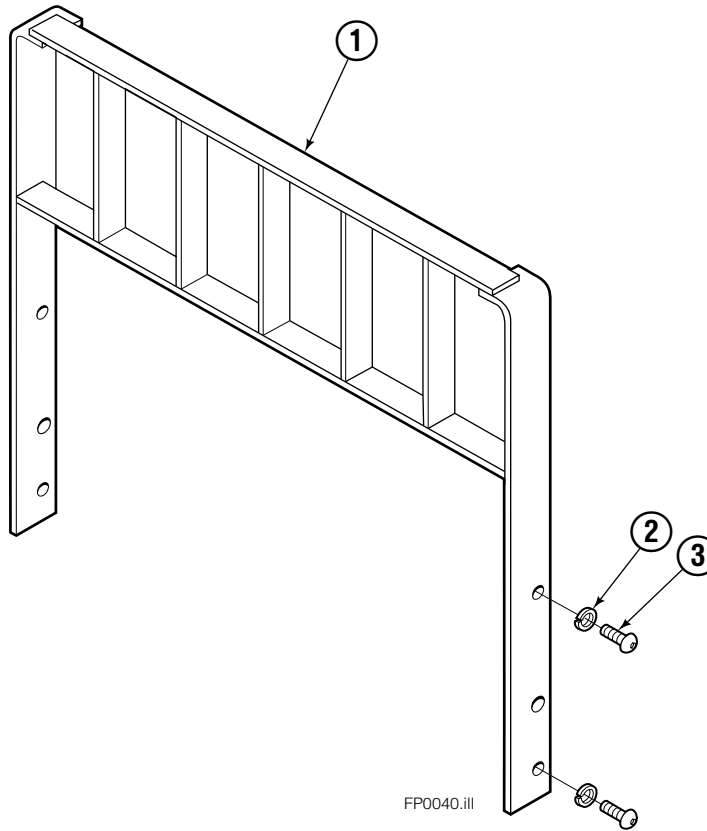
■ Includes items 1 through 7.

Standard Installation Group



| REF | QTY | PART NO. | DESCRIPTION |
|-----|-----|----------|----------------------|
| | | 207342 | Installation Group |
| 1 | 1 | 207314 | Bracket |
| 2 | 2 | 762899 | Capscrew, M10X20-8.8 |
| 3 | 2 | 681238 | Lockwasher |
| 4 | 2 | 2453 | Fitting, 8-8 |
| 5 | 2 | 207578 | Hose |

Backrest



| 55F | | | |
|-----|-----|----------|------------------------|
| REF | QTY | PART NO. | DESCRIPTION |
| 1 | 1 | 207128 | Backrest - 37" x 30" ■ |
| 2 | 4 | 684586 | Lockwasher |
| 3 | 4 | 200173 | Capscrew |

■ Width by Height.
Reference: 3S-3979.

Do you have questions you need answered right now? Call your nearest Cascade Parts Department. Visit us online at www.cascorp.com

Cascade Corporation
2501 Sheridan Avenue
Springfield, OH 45505
Tel: 888-CASCADE (227-2233)
FAX: 888-329-0234

Cascade Canada Inc.
5570 Timberlea Blvd.
Mississauga, Ontario
Canada L4W-4M6
Tel: 905-629-7777
FAX: 905-629-7785

Cascade GmbH
D-41199 Monchengladbach
Klosterhofweg 52
Germany
Tel: 49-216-668230
FAX: 49-216-6682323

Cascade Finland
Albert Petreliuksenkatu 3
01370 Vantaa
Finland
Tel: 358-9-836-1925
FAX: 358-9-836-1935

**Cascade N.V.
European Headquarters**
P.O. Box 3009
1300 El Almere
Damsluisweg 56
1332 ED Almere
The Netherlands
Tel: 31-36-5492911
FAX: 31-36-5492964

**Cascade N.V.
Benelux Sales and Service**
P.O. Box 3009
1300 El Almere
Damsluisweg 56
1332 ED Almere
The Netherlands
Tel: 31-36-5492950
FAX: 31-36-5492974

Cascade (UK) Ltd.
15, Orgreave Crescent
Dore House Industrial Estate
Handsworth
Sheffield S13 9NQ
England
Tel: 742-697524
FAX: 742-695121

Cascade Scandinavia AB
Box 124
Hammarvägen 10
567 23 Vaggeryd
Sweden
Tel: 42-0-393-36950
FAX: 46-0-393-36959

Cascade Norway
Østerliveien 37A
1153 Oslo
Norway
Tel: 47-22-743160
FAX: 47-22-743157

Cascade France S.A.R.L.
1D Rue De Charaintru
BP 18, 91360 Epinay-Sur-Orge
Morangis Cedex, France
Tel: 33-1- 64547500
FAX: 33-1-64547501

Cascade Hispania S.A.
Carrer 5 Sector C
Zona Franca Duanera
Poligono de la Zon Franca
08040 Barcelona, Spain
Office No. 256
Tel: 93-264-07-30
FAX: 93-264-07-31

Cascade Japan Ltd.
5-5-41,
Torikai Kami
Settsu, Osaka
Japan, 566
Tel: 81-726-53-3490
FAX: 81-726-53-3497

Cascade Korea
108B, Namdong Ind Complex
658-3 Gojan-Dong
Namdong-Gu
Inchon, 405-310 Korea
Tel: 82-32-821-2051
FAX: 82-32-821-2055

Cascade Australia
1445 Ipswich Road
Rocklea, QLD 4106
Australia
Tel: 1-800227-223
FAX: (07) 3373-7333

Cascade New Zealand
15 Ra Ora Drive
East Tamaki, Auckland
New Zealand
Tel: 9-273-9136
FAX: 9-273-9137

Cascade (Africa) Pty. Ltd.
P.O. Box 625, Isando 1600
60A Steel Road
Sparton, Kempton Park
South Africa
Tel: 27-11-975-9240
FAX: 27-11-394-1147

Cascade-Xiamen
No. 668 Yangguang Rd.
Xinyang Industrial Zone
Haicang, Xiamen City
Fujian Province
P.R. China 361026
Tel: 86-592-651-2500
FAX: 86-592-651-2571

**Cascade (Singapore)
Trading Co.**
Four Seasons Park
Autumn Block - Apt. 1802
12 Cuscaden Walk
Singapore
Tel: 65-834-1935
FAX: 65-834-1936

