



Parts Manual

Model 25D Carton Clamp

Serial Number 25D-CCS-298

cascade[®]
corporation

For Technical Assistance call: 800-227-2233, Fax: 888-329-8207

To Order Parts call: 888-227-2233, Fax: 888-329-0234

OR

Write: Cascade Corporation, P.O. Box 20187, Portland, OR 97220

Internet: www.cascorp.com

Safety Decals



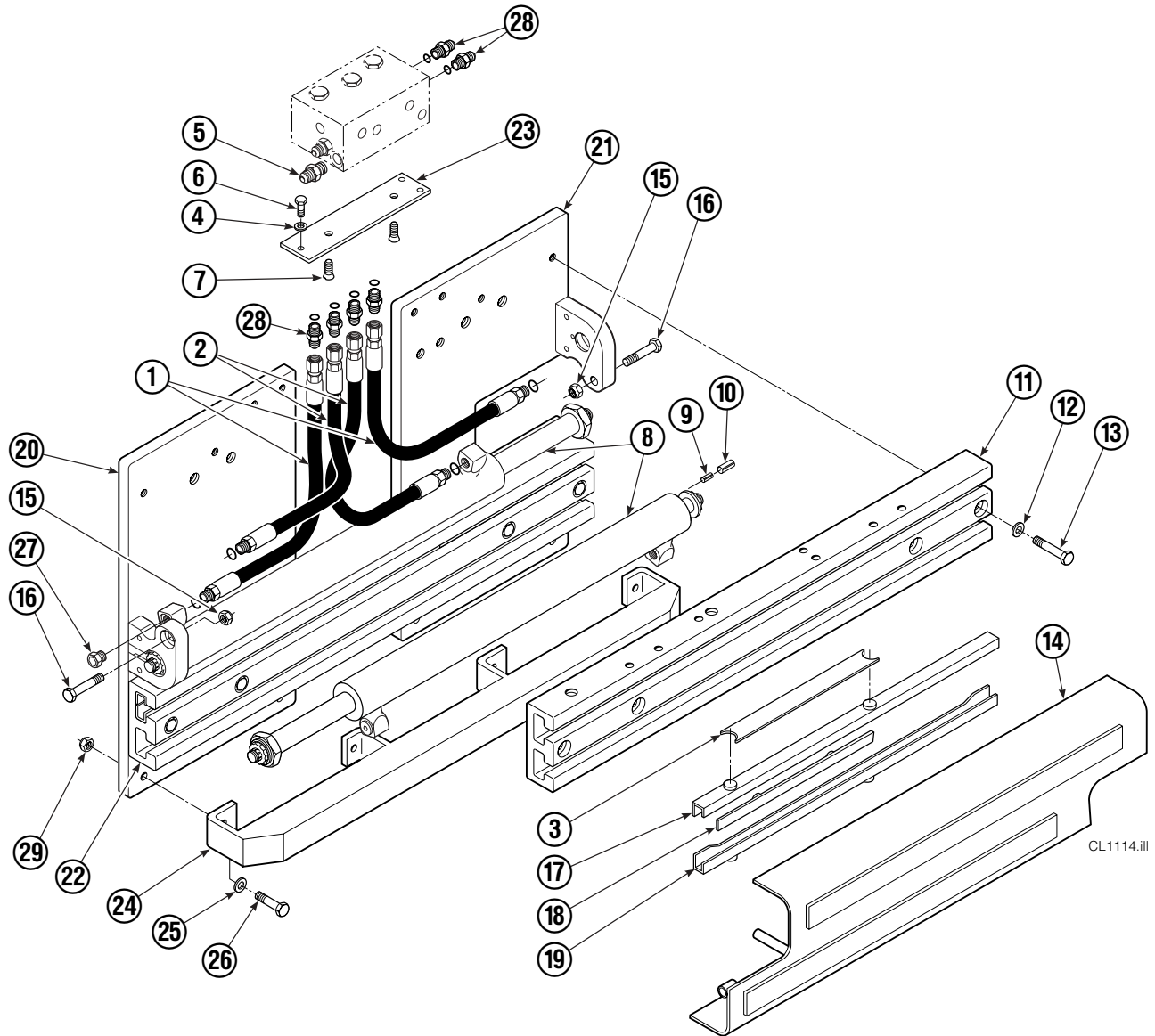
REF	QTY	PART NO.	DESCRIPTION
1	1	679150	No Step Decal
2	2	665595	No Hand Hold Decal
3	1	679059	Quick Change Hook Decal

Publications



PART NO.	DESCRIPTION
670487	Service Manual
670834	Operators Guide
670488	Installation Instructions
680664	Servicing Cascade Cylinders-VHS
679929	Tool Catalog
673964	Literature Index Order Form

Base Unit Group



25D

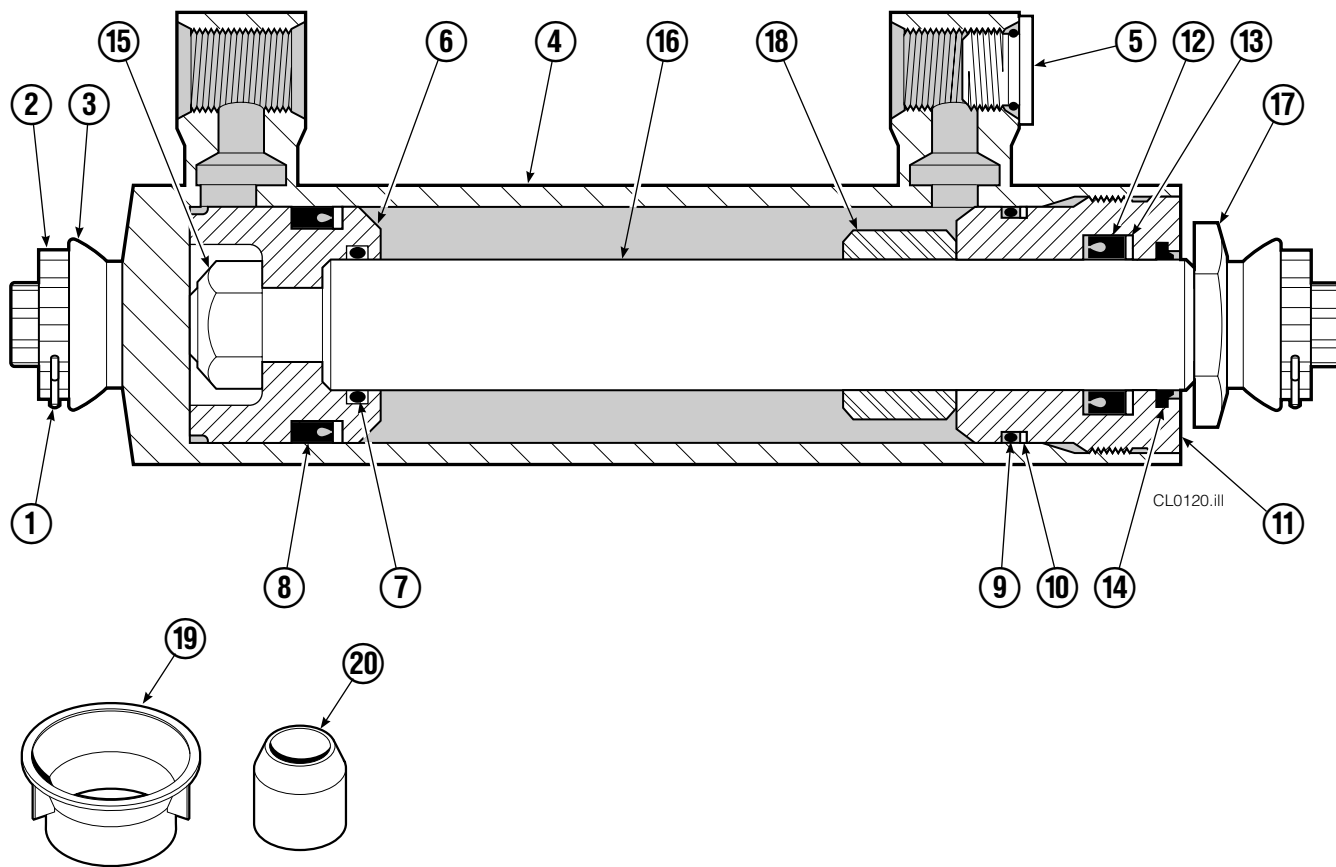
REF	QTY	PART NO.	DESCRIPTION	REF	QTY	PART NO.	DESCRIPTION
1	2	--	Hose	16	2	768414	Capscrew, M12x65
2	2	--	Hose	17	4	208858	Bearing
3	1	675326	Shim Kit ■	18	4	667663	Bearing
4	2	209021	Washer, M10	19	4	208857	Bearing
5	1	601377	Fitting, 8-8	20	1	220996	Mounting Plate - RH
6	2	684594	Capscrew, M10x20	21	1	220997	Mounting Plate - LH
7	2	766646	Capscrew, M10x20	22	1	221417	Frame - Lower
8	2	671570	Cylinder ▲	23	1	669957	Plate
9	2	768953	Roll Pin - Inner	24	1	671545	Bumper - Lower
10	2	769009	Roll Pin - Outer	25	4	683001	Washer
11	1	221280	Frame - Upper	26	4	768556	Capscrew, M12x45
12	8	667910	Washer	27	2	602580	Fitting, 8
13	8	684659	Capscrew, M12x75	28	6	611288	Fitting, 6-8
14	1	672331	Bumper	29	4	688387	Nut
15	2	763025	Nut, M12				

■ Includes two .015 Shims, and eight .020 Shims.

▲ See Cylinder page for parts breakdown.

Reference: Base Unit 6019457, SK-6390.

Cylinder



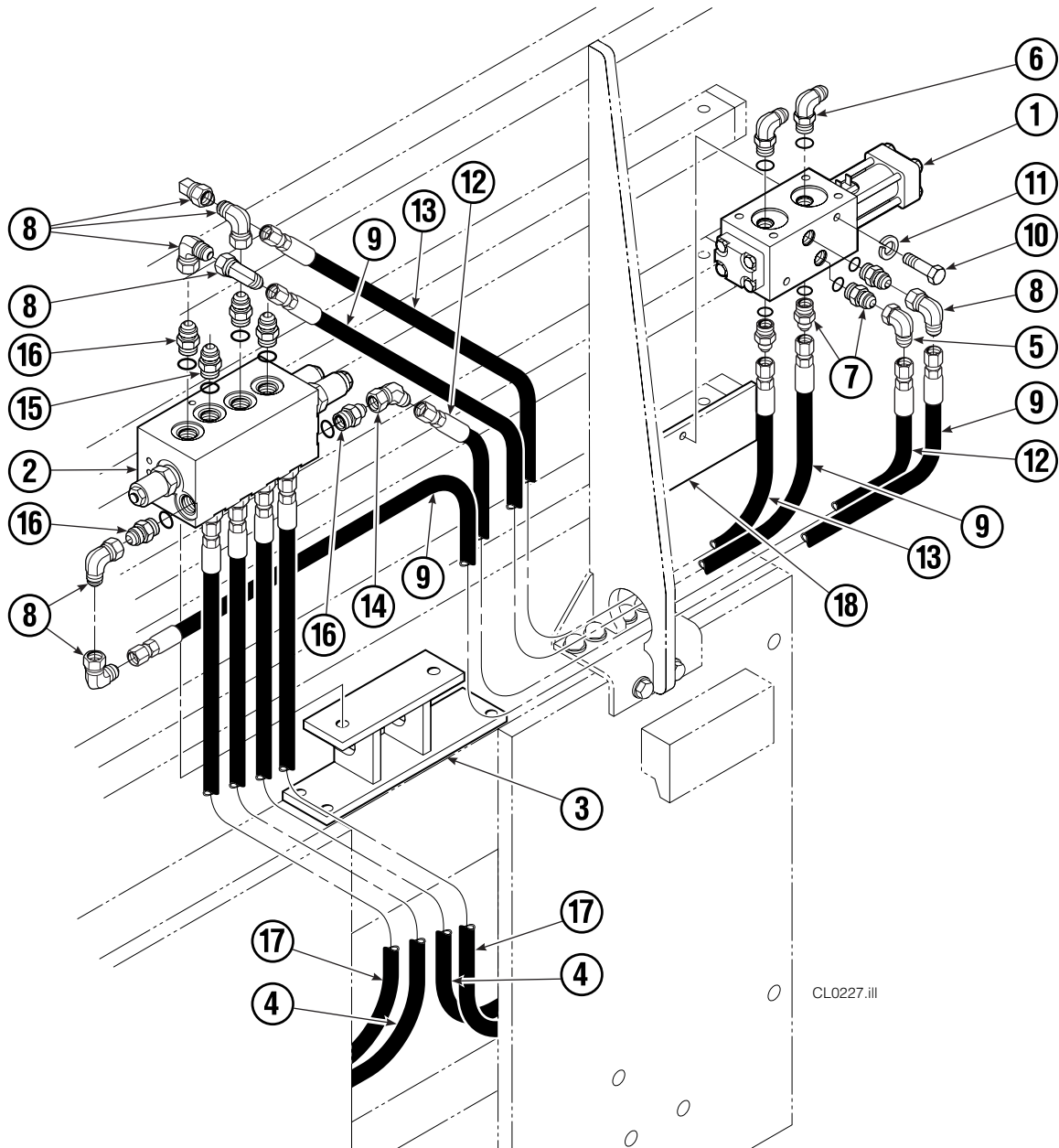
25D			
REF	QTY	PART NO.	DESCRIPTION
		671570	Cylinder Assembly
1	2	6510	■ Cotter Pin
2	2	667624	■ Nut Retainer
3	2	667625	■ Nut
4	1	671572	Shell
5	1	602580	Fitting
6	1	558200	Piston
7	1	2716	▲ O-Ring
8	1	662452	▲ Seal
9	1	2785	▲ O-Ring
10	1	615128	▲ Back-Up Ring
11	1	563906	Retainer
12	1	662448	▲ Seal
13	1	638243	▲ Nylon Ring
14	1	636853	▲ Wiper
15	1	667623	Nut
16	1	661571	Rod
17	1	667626	Washer
18	1	—	Spacer
19	1	671047	▲ Seal Loader, Piston
20	1	671051	▲ Seal Loader, Retainer
		668021	Service Kit

▲ Included in Service Kit 668021.

■ Included in Nut Service Kit 668926.

Reference: S-7605, S-7658

Solenoid Adaption

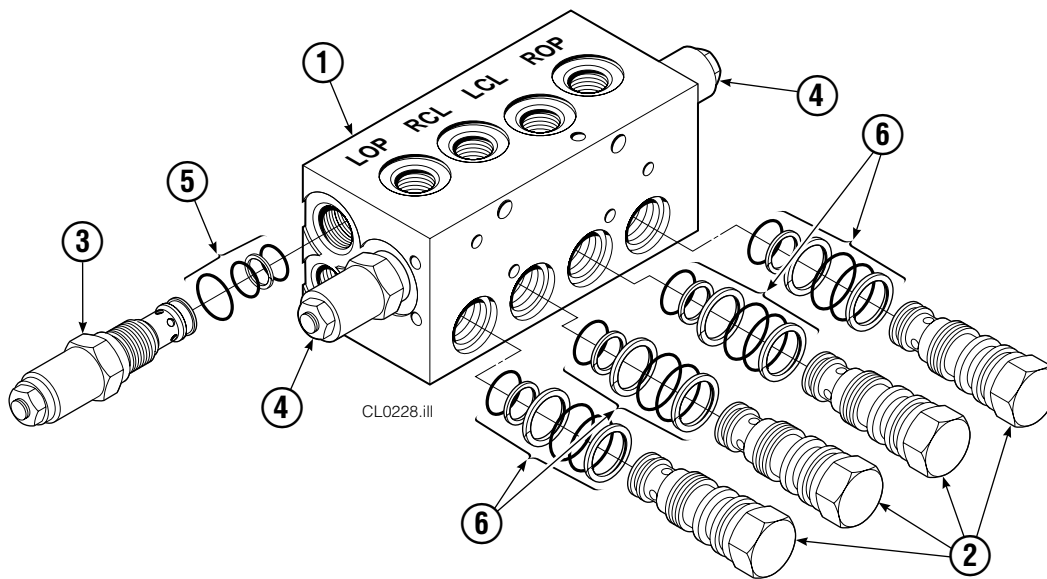


35D

REF	QTY	PART NO.	DESCRIPTION	REF	QTY	PART NO.	DESCRIPTION
		342700	Solenoid Adaption Group	10	2	3562	Capscrew
1	1	■	Solenoid Valve	11	2	6286	Lockwasher
2	1	342184	Valve ●	12	1	683220	Hose, 15.0"
3	1	342188	Valve Bracket	13	8	675058	Hose, 18.25"
4	2	680027	Hose, 20.5"	14	1	605230	Fitting, 6-6
5	1	601676	Fitting, 6-6	15	2	601377	Fitting, 6-6
6	2	651303	Fitting, 8-6	16	14	611288	Fitting, 6-8
7	3	604511	Fitting, 6-6	17	2	675053	Hose, 26"
8	7	2680	Fitting, 6-6	18	1	342192	Plate
9	2	675953	Hose, 24.5"				

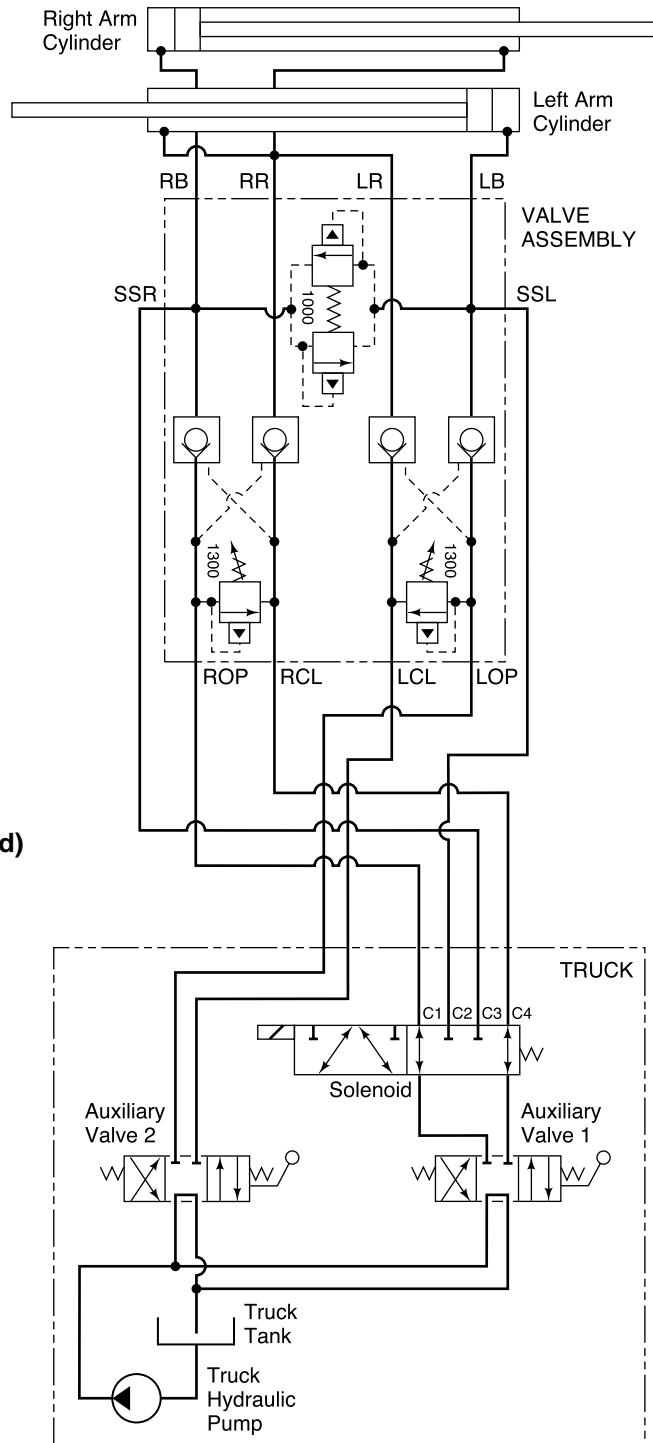
- See Solenoid Valve page for part number.
- See Valve page for parts breakdown.

Valve Group



REF	QTY	PART NO.	DESCRIPTION
		342184	Valve Assembly
1	1	342185	Valve Body
2	4	659058	Check Valve – P.O.
3	1	334615	Relief Valve
4	2	342187	Relief Valve
5	1	684625	Service Kit
6	4	667516	Service Kit

Hydraulic Schematic



CL0230.iii

Sequence of Operation Independent Arm Control

Auxiliary Valve #2

1. Handle pulled back, Left Arm clamps.
2. Handle pushed forward, Left Arm opens.

Auxiliary Valve #1 and Solenoid (not energized)

1. Handle pulled back, Right Arm clamps.
2. Handle pushed forward, Right Arm opens.

Auxiliary Valve #1 and Solenoid (energized)

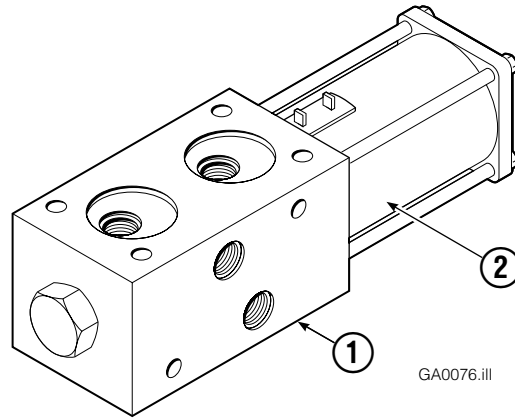
1. Handle pulled back, Sideshift right.
2. Handle pushed forward, Sideshift left.

Auxiliary Valve #2, #1 and Solenoid (not energized)

1. Handles pulled back, clamps.
2. Handles pushed forward, opens.

Reference: 2SSP-451.

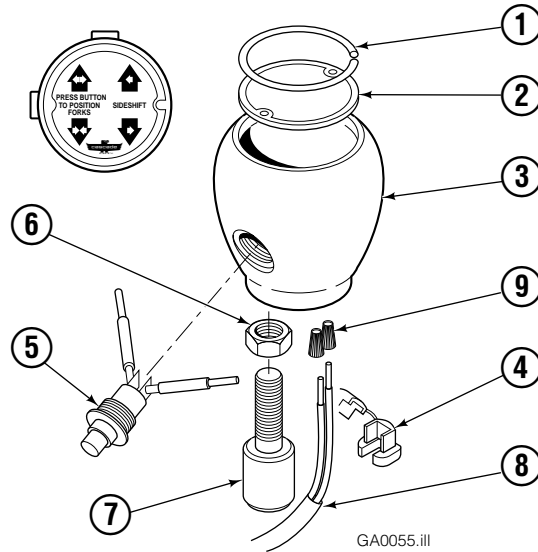
Solenoid Valves



Racine

REF	QTY	PART NO.	DESCRIPTION
1	1	614093	Solenoid Valve - 48V
2	1	665047	Coil - 48V
		685012	Service Kit

Control Knob

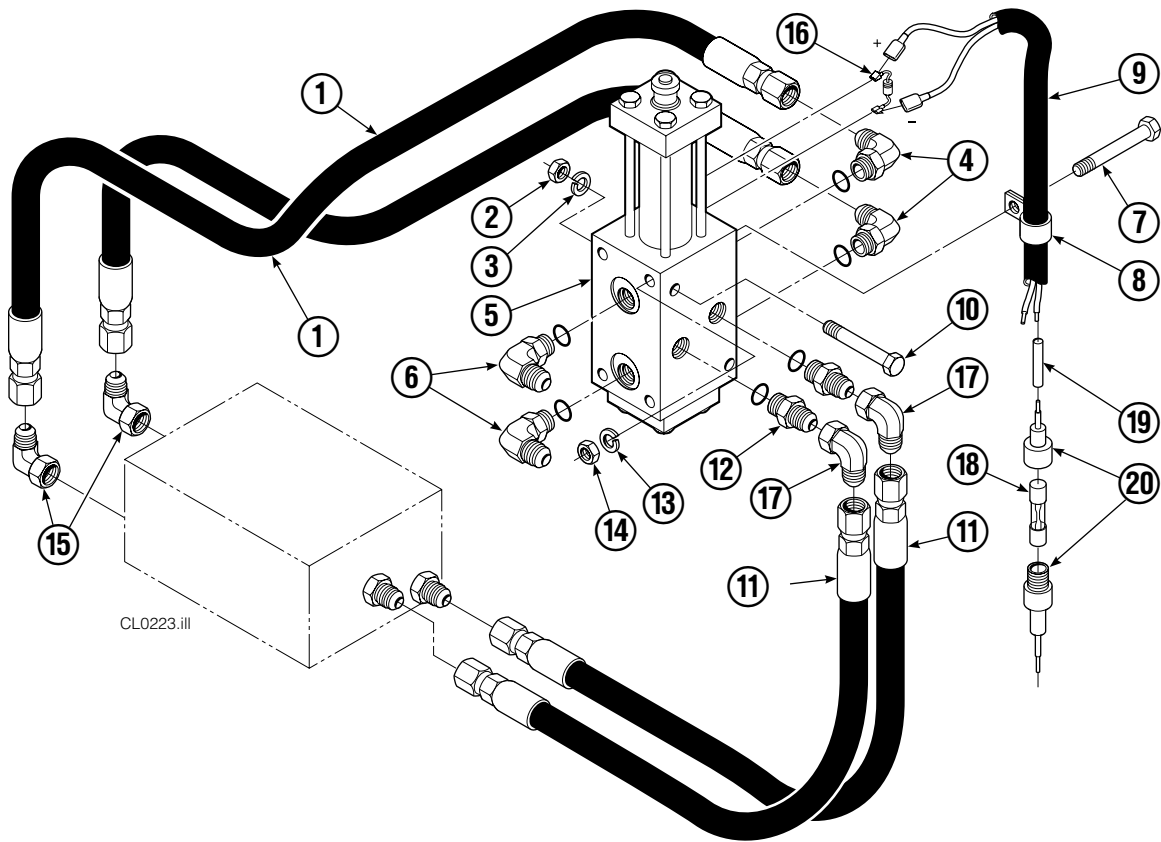


GA0055.ill

REF	QTY	PART NO.	DESCRIPTION
		686479	Knob Group
1	1	665250	Snap Ring
2	1	686018	Cover
3	1	665012	Knob
4	1	665076	Strain Relief
5	1	677112	■ Switch
6	1	5902	Nut, 3/8 NC
7	1	665081	Adapter, 3/8"
8	1	665077	Cable Assembly
9	2	667752	Connector-Gray
10	1	672087	Adapter, 1/2"

- This switch may be purchased without wires.
Order part number 665004. Soldering is required.

Solenoid Adaption Group



CL0223.ill

REF	QTY	PART NO.	DESCRIPTION
		671475	Solenoid Adaption Group
1	2	2114	Hose, 21.00
2	2	5900	Nut, 1/4 NC
3	2	6257	Lockwasher, 1/4 ID
4	2	601676	Fitting, 6-6
5	1	▲	Solenoid Valve Assembly
6	2	651303	Fitting, 8-6
7	1	●	Capscrew, 5/16 NC x 3.0
8	1	●	Clamp
9	1	●	Pigtail
10	2	3565	Capscrew, 1/4 NC x 3.5
11	2	2204	Hose, 14.50
12	2	662187	Fitting, 8-6
13	1	●	Lockwasher
14	1	●	Nut, 5/16 NC
15	2	2680	Fitting, 6-6
16	1	669432	Diode
17	2	605761	Fitting, 8-8
18	1	677490	Fuse, 7.5 Amps ★
19	1	666970	Butt Connector ★
20	1	677489	Fuse Holder ★

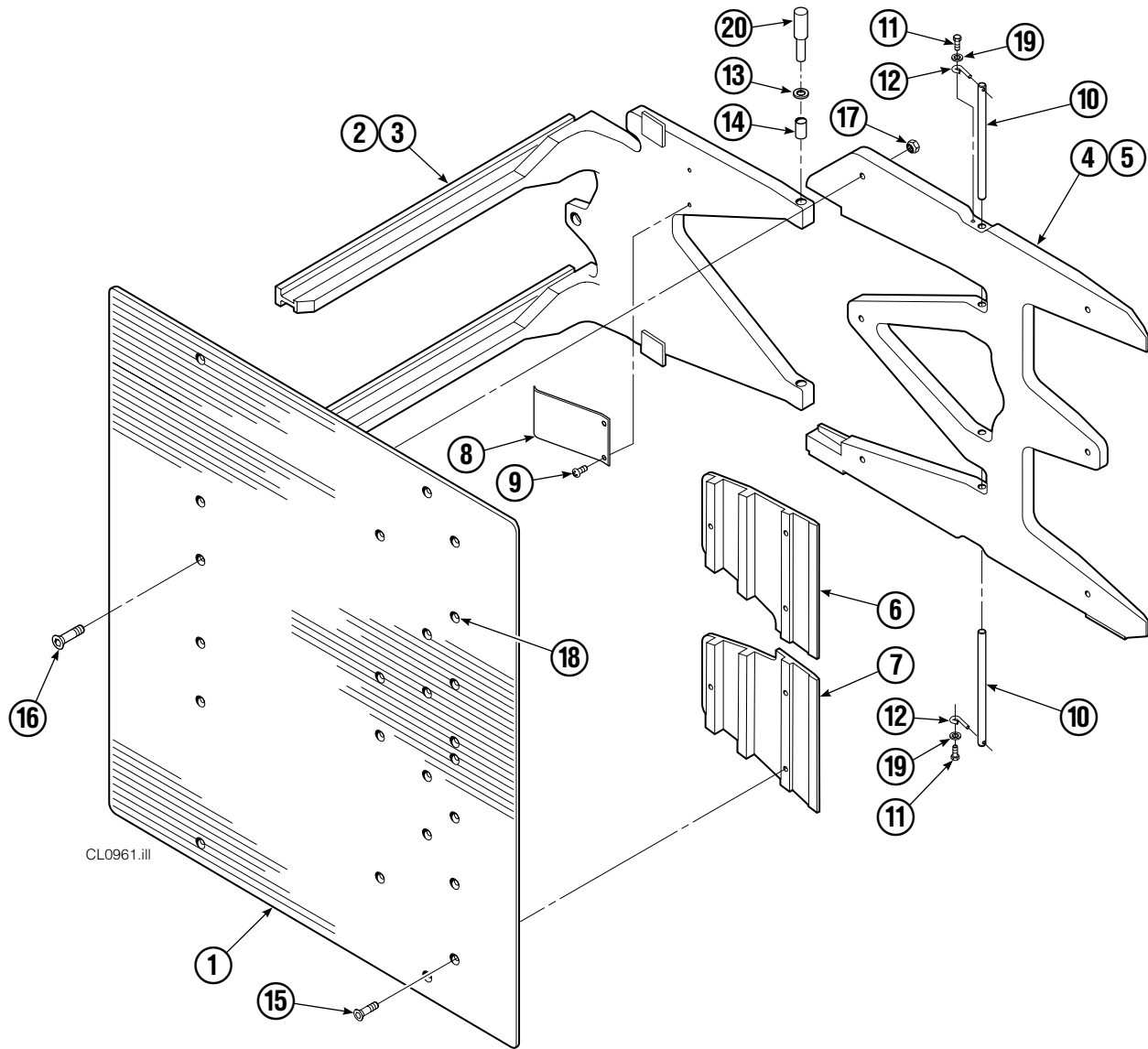
● Customer Supplied.

▲ See Solenoid Valve page for parts breakdown.

★ Included in Fuse Assembly 677573.

Reference: SK-4747.

Arms and Pads

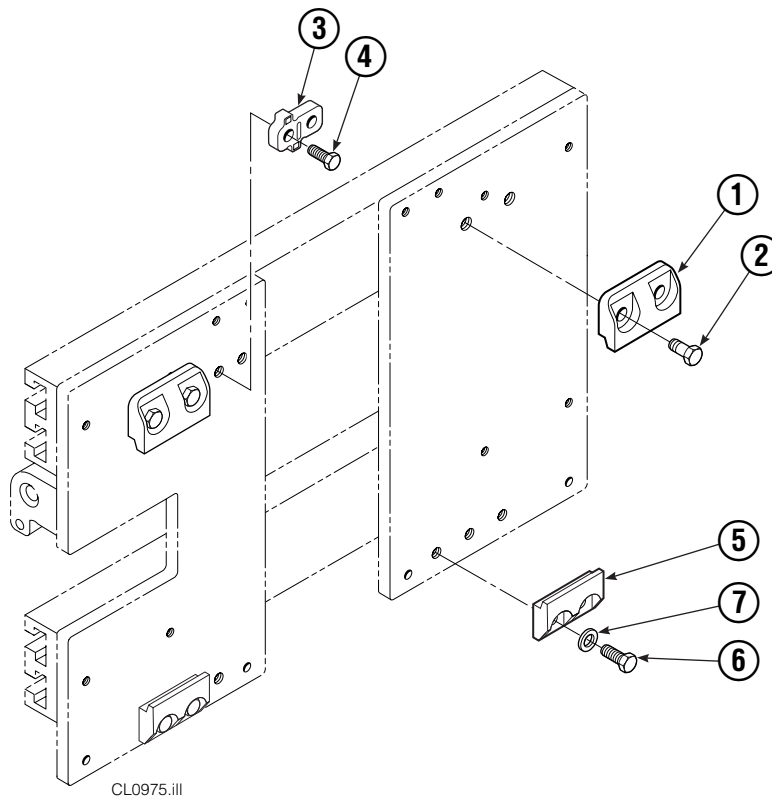


25D							
REF	QTY	PART NO.	DESCRIPTION	REF	QTY	PART NO.	DESCRIPTION
1	2	222711	Contact Pad – 48 x 54 in.	10	4	210161	Pin
2	1	220959	Arm – LH	11	4	787372	Capscrew, M8 x 20
3	1	221088	Arm – RH	12	4	682999	Eye Pin
4	1	210403	Stabilizer – LH	13	8	675620	Washer, M10
5	1	210406	Stabilizer – RH	14	8	200590	Bushing
6	2	210180	Filler Block – LH Upper/RH Lower	15	12	766646	Capscrew, M10 x 20
7	2	210179	Filler Block – RH Lower/RH Upper	16	12	768706	Capscrew, M12 x 35
8	2	210154	Spring	17	12	773842	Nut, M12
9	4	203405	Capscrew, M10 x 16	18	▲	676841	Contact Pad Repair Kit
10	4	210161	Pin	19	4	787398	Washer, M8
11	4	787372	Capscrew, M8 x 20	20	1	675626	Tool – Bushing Driver

Reference: SK-6390, Common Parts 210495,
Stabilizer Group 210409.

▲ Repairs one hole.

Bolt-On Mounting Group



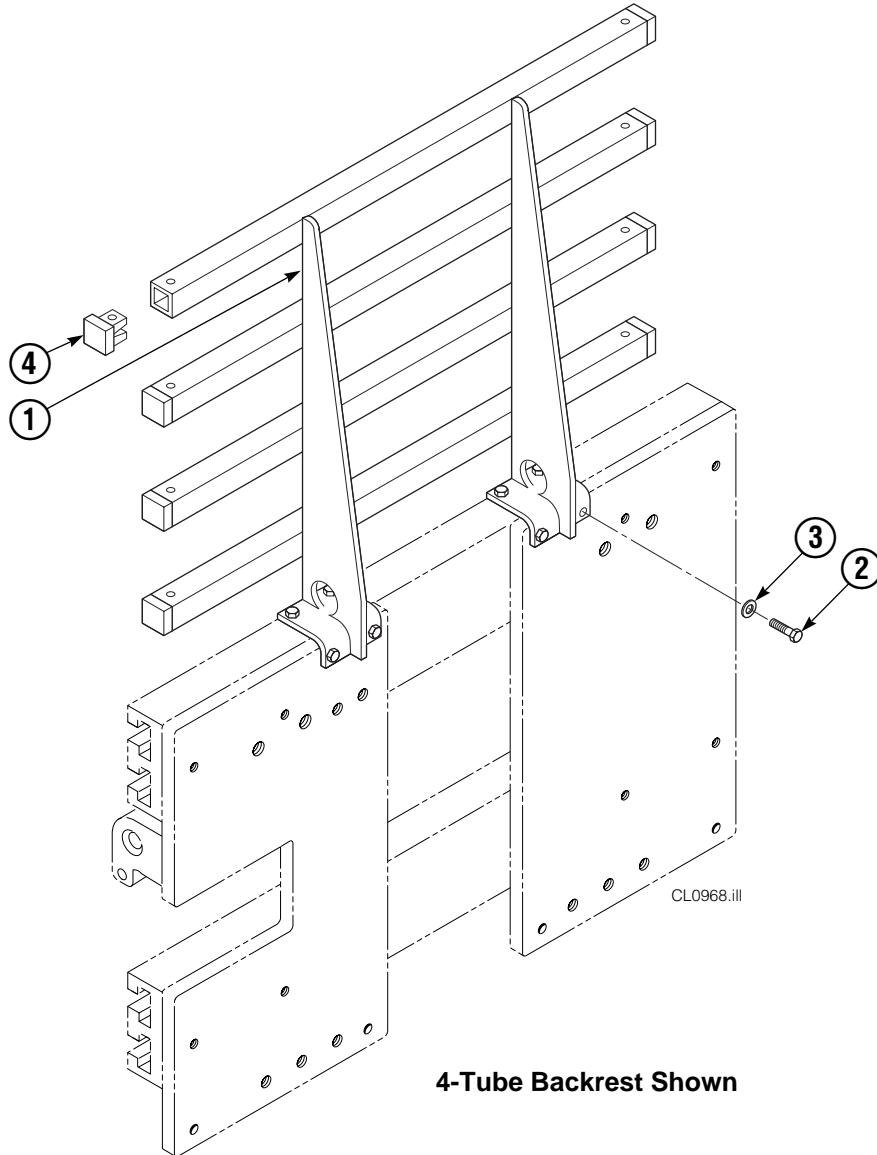
REF	QTY	ITA II	DESCRIPTION
		PART NO.	
		211162	Upper Mounting Group ▲
		211173	Lower Mounting Group ●
1	2	210491	Upper Hook
2	4	768577	Capscrew, M20 x 35
3	1	212999	Center Key
4	2	211129	Capscrew, M16 x 35
5	2	675968	Lower Hook
6	4	211128	Capscrew, M16 x 30
7	4	211179	Washer, M16

▲ Includes items 1–4.

● Includes items 5–7.

Reference: SK-6390.

Backrest Group



25D			
REF	QTY	PART NO.	DESCRIPTION
		221578	Backrest Group
1	1	669898	Backrest
2	8	768810	Capscrew, M10x30
3	8	667910	Washer, M10
4	10	674356	Tube End

Reference: SK-6390.

Do you have questions you need answered right now? Call your nearest Cascade Parts Department. Visit us online at www.cascorp.com

Cascade Corporation
2501 Sheridan Avenue
Springfield, OH 45505
Tel: 888-CASCADE (227-2233)
FAX: 888-329-0234

Cascade Canada Inc.
5570 Timberlea Blvd.
Mississauga, Ontario
Canada L4W-4M6
Tel: 905-629-7777
FAX: 905-629-7785

Cascade GmbH
D-41199 Monchengladbach
Klosterhofweg 52
Germany
Tel: 49-216-668230
FAX: 49-216-6682323

Cascade Finland
Albert Petreliuksenkatu 3
01370 Vantaa
Finland
Tel: 358-9-836-1925
FAX: 358-9-836-1935

**Cascade N.V.
European Headquarters**
P.O. Box 3009
1300 El Almere
Damsluisweg 56
1332 ED Almere
The Netherlands
Tel: 31-36-5492911
FAX: 31-36-5492964

**Cascade N.V.
Benelux Sales and Service**
P.O. Box 3009
1300 El Almere
Damsluisweg 56
1332 ED Almere
The Netherlands
Tel: 31-36-5492950
FAX: 31-36-5492974

Cascade (UK) Ltd.
15, Orgreave Crescent
Dore House Industrial Estate
Handsworth
Sheffield S13 9NQ
England
Tel: 742-697524
FAX: 742-695121

Cascade Scandinavia AB
Box 124
Hammarvägen 10
567 23 Vaggeryd
Sweden
Tel: 42-0-393-36950
FAX: 46-0-393-36959

Cascade Norway
Østerliveien 37A
1153 Oslo
Norway
Tel: 47-22-743160
FAX: 47-22-743157

Cascade France S.A.R.L.
1D Rue De Charaintru
BP 18, 91360 Epinay-Sur-Orge
Morangis Cedex, France
Tel: 33-1- 64547500
FAX: 33-1-64547501

Cascade Hispania S.A.
Carrer 5 Sector C
Zona Franca Duanera
Poligono de la Zon Franca
08040 Barcelona, Spain
Office No. 256
Tel: 93-264-07-30
FAX: 93-264-07-31

Cascade Japan Ltd.
5-5-41,
Torikai Kami
Settsu, Osaka
Japan, 566
Tel: 81-726-53-3490
FAX: 81-726-53-3497

Cascade Korea
108B, Namdong Ind Complex
658-3 Gojan-Dong
Namdong-Gu
Inchon, 405-310 Korea
Tel: 82-32-821-2051
FAX: 82-32-821-2055

Cascade Australia
1445 Ipswich Road
Rocklea, QLD 4106
Australia
Tel: 1-800227-223
FAX: (07) 3373-7333

Cascade New Zealand
15 Ra Ora Drive
East Tamaki, Auckland
New Zealand
Tel: 9-273-9136
FAX: 9-273-9137

Cascade (Africa) Pty. Ltd.
P.O. Box 625, Isando 1600
60A Steel Road
Sparton, Kempton Park
South Africa
Tel: 27-11-975-9240
FAX: 27-11-394-1147

Cascade-Xiamen
No. 668 Yangguang Rd.
Xinyang Industrial Zone
Haicang, Xiamen City
Fujian Province
P.R. China 361026
Tel: 86-592-651-2500
FAX: 86-592-651-2571

**Cascade (Singapore)
Trading Co.**
Four Seasons Park
Autumn Block - Apt. 1802
12 Cuscaden Walk
Singapore
Tel: 65-834-1935
FAX: 65-834-1936

