



Parts Manual

Model _____ **Paper Roll Clamp**

Serial Number _____ **60G-RDP-152**

cascade®
corporation

For Technical Assistance call: 800-227-2233, Fax: 888-329-8207

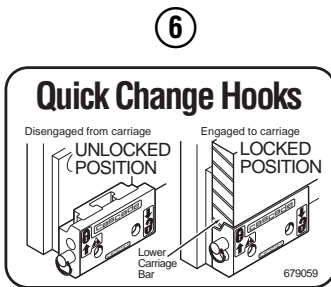
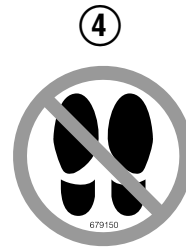
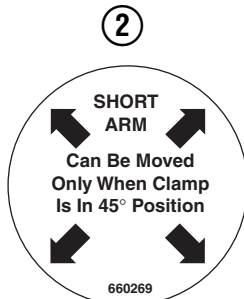
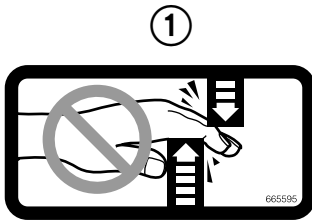
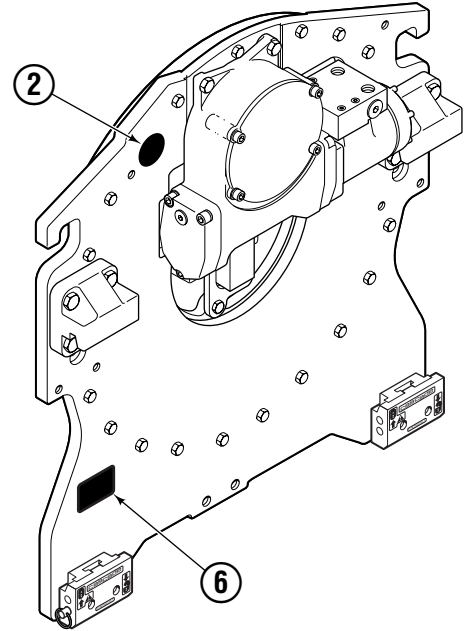
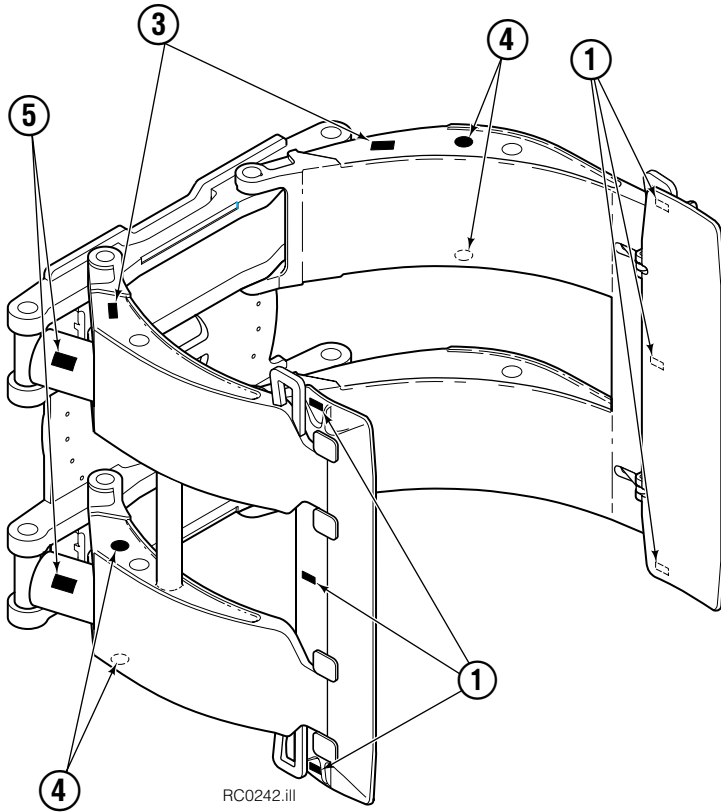
To Order Parts call: 888-227-2233, Fax: 888-329-0234

OR

Write: Cascade Corporation, P.O. Box 20187, Portland, OR 97220

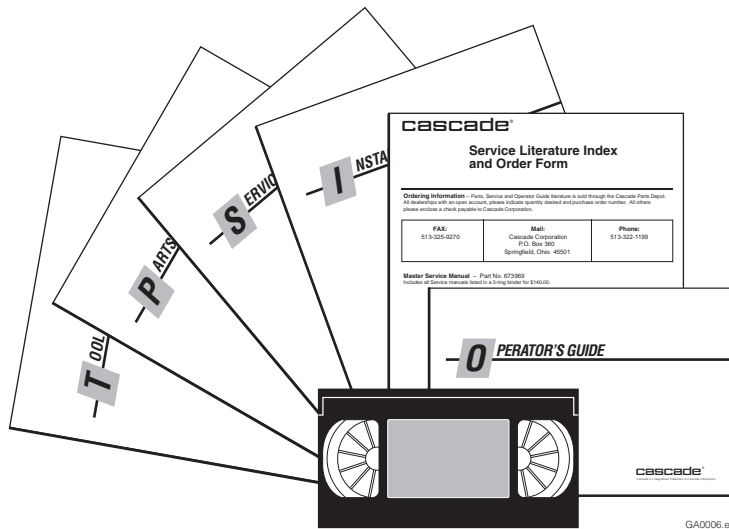
Internet: www.cascorp.com

Decals



60G			
REF	QTY	PART NO.	DESCRIPTION
1	4	665595	No Hand Hold Decal
2	2	660269	Short Arm Rotation Position Decal
3	6	656038	Caution Decal
4	4	679150	No Step Decal
5	4	665677	Trapped Pressure Decal
6	1	679059	Quick-Change Hook Decal
7	1	671167	Oil Fill Tag (not shown)
		212926	Decal Kit, (items 1-7)

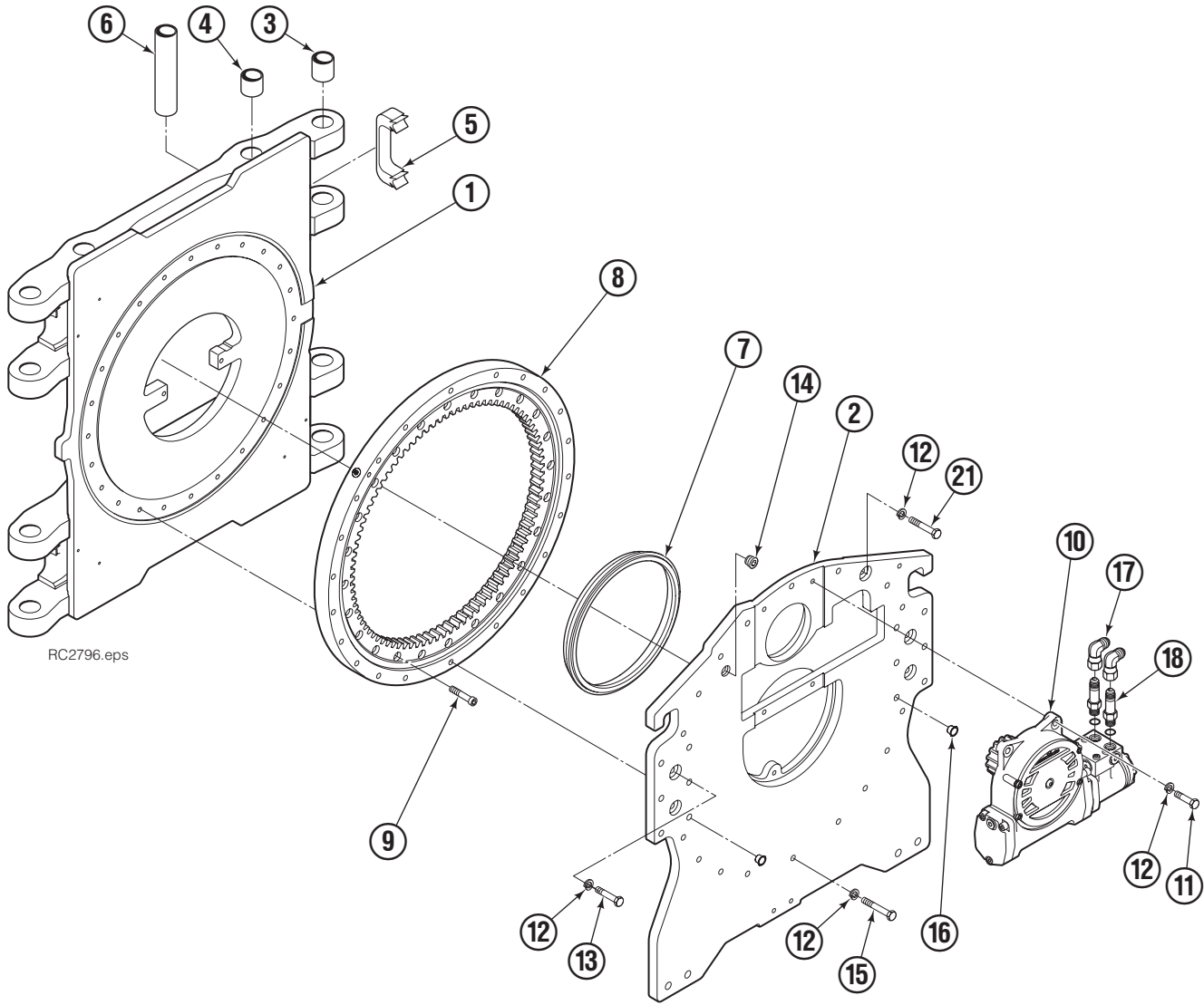
Publications



GA0006.eps

60G	
PART NO.	DESCRIPTION
216498	Parts Manual
213744	Service Manual
210135	Operator's Guide
212420	Installation Instructions - Fixed Frame
677555	Driver Training Video - VHS
679929	Tool Catalog
673964	Literature Index Order Form

Frame Group

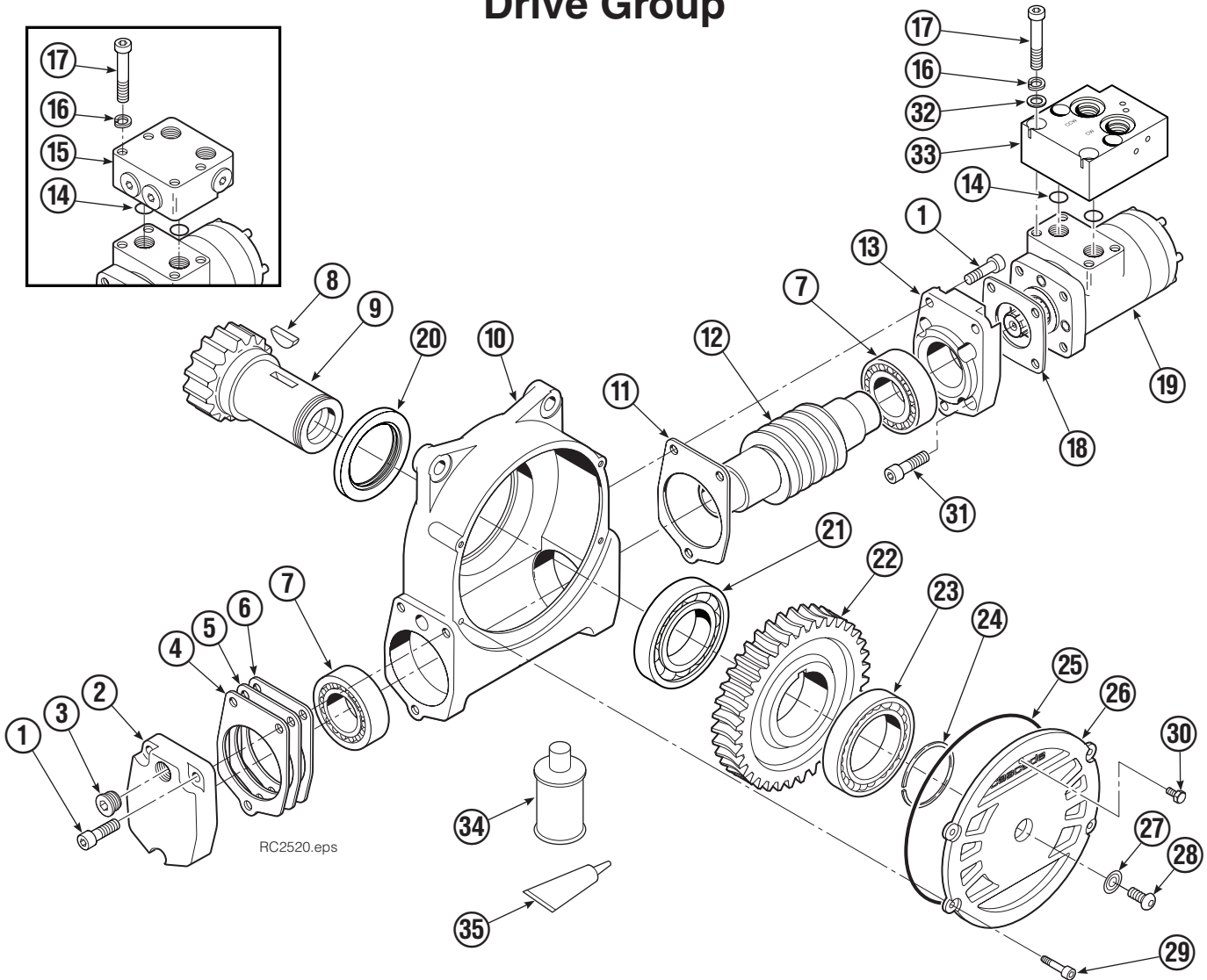


60G							
REF	QTY	PART NO.	DESCRIPTION	REF	QTY	PART NO.	DESCRIPTION
		6021859	Frame Group	10	1	212308	Drive Group - 2.2 c.i. Motor ●
1	1	6020223	Frame - 51" ■	11	4	211689	Capscrew, M12 x 30
2	1	209940	Baseplate	12	26	683822	Lockwasher, M12
3	8	211718	Bearing	13	4	206174	Capscrew, M12 x 45
4	8	211717	Bearing	14	1	6605	Plug
5	4	211712	Hose Guard	15	18	213633	Capscrew, M12 x 55
6	4	209987	Spacer	16	2	631428	Plug
7	1	209944	Seal	17	2	605761	◆ Fitting, 8-8
8	1	213761	Bearing Assembly	18	2	611295	◆ Fitting, 8-8
9	24	767596	Capscrew, M12 x 40				

■ Maximum roll handling capacity.
 Reference: Baseplate Group 213763,
 Common Parts Group 213762.

● See Drive Group page for parts breakdown.
 ◆ Included in Fitting Group 399250.

Drive Group



REF	QTY	PART NO.	DESCRIPTION	REF	QTY	PART NO.	DESCRIPTION
		212308	Drive Group with 2.2 c.i. Motor	19	1	210139	Drive Motor – 2.2 c.i. ■
1	6	769570	Capscrew, M12 x 25	20	1	3014870	Seal
2	1	676855	Cover	21	1	6033892	Bearing ★
3	1	604510	Fitting, 6	22	1	675609	Worm Gear
4	●	670574	Shim – .010" (brown)	23	1	670581	Bearing
5	●	671757	Shim – .015" (pink)	24	1	7214	Snap Ring
6	●	671758	Shim – .020" (yellow)	25	1	643423	O-Ring
7	2	670579	Bearing	26	1	775552	Cover
8	1	670582	Key	27	1	783609	Seal
9	1	670506	Pinion	28	1	783608	Capscrew, M12 x 16
10	1	775551	Housing	29	4	200882	Capscrew, M8 x 20
11	1	686465	Gasket	30	1	644010	Relief Fitting
12	1	675608	Worm	31	4	4468	Capscrew, 3/8 x .75
13	1	775553	Adapter	32	4	221494	Washer, M8
14	2	2705	O-Ring	33	1	6063316	Check Valve ◆
15	1	670549	Check Valve ◆	34	1	656300	Gear Box Lube – 48 oz.
16	4	6444	Lockwasher	35	1	668184	Sealant
17	4	607059	Capscrew, 5/16 x 1.75			670578	Shim Service Kit (items 4-6,11,25,35)
18	1	670575	Gasket			212919	Motor Kit–2.2 (items 11,14,18,19,35)

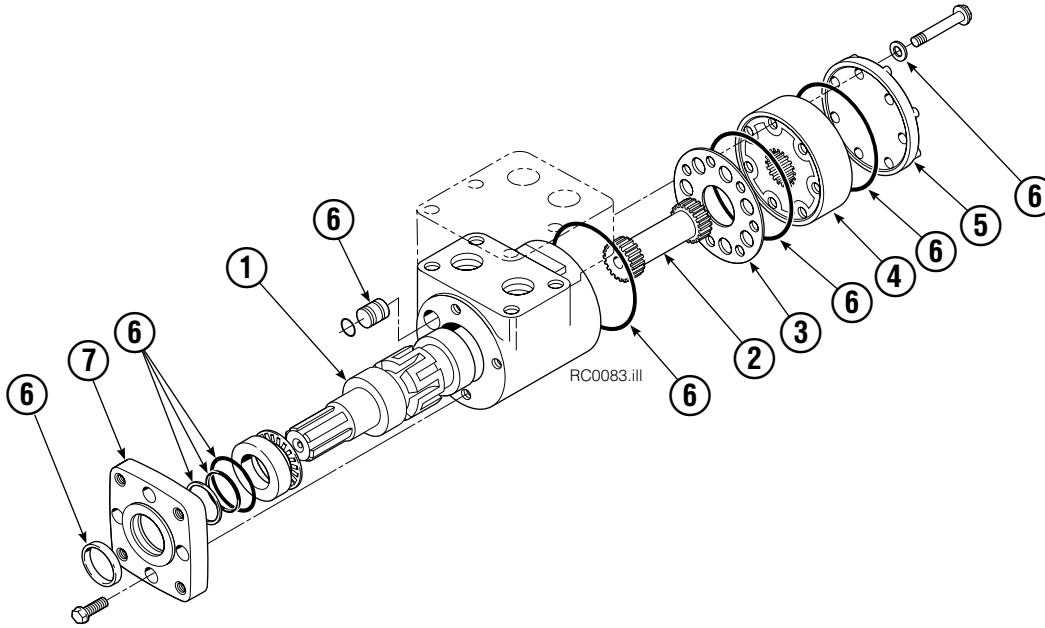
● Quantity as required.

◆ See Valve page for parts breakdown.

■ See Drive Motor page for parts breakdown.

★ For service replacement use Bearing 670580.

Drive Motor

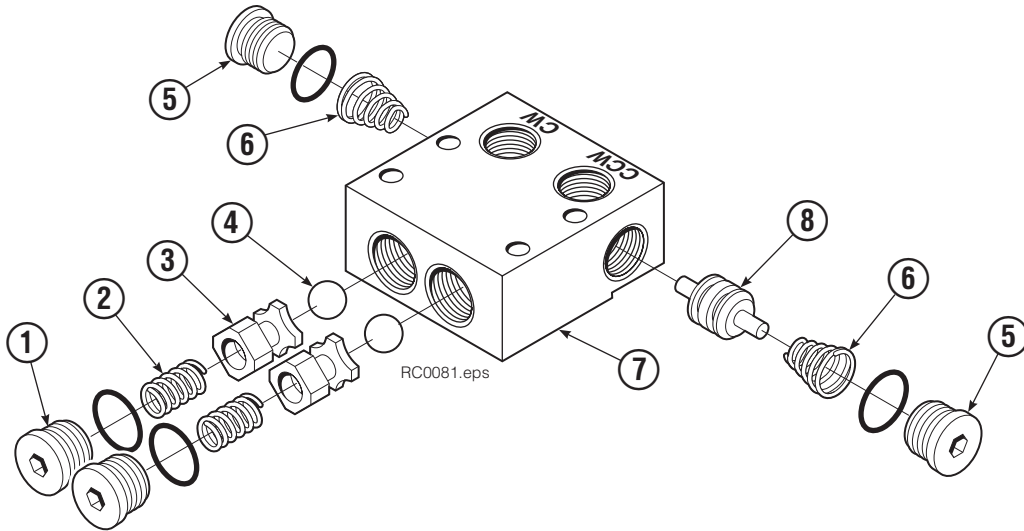


REF	QTY	PART NO.	DESCRIPTION
		210139	Drive Motor
1	1	675478	Shaft
2	1	675477	Drive
3	1	211528	Spacer Plate
4	1	210137	Gerotor Set
5	1	211527	End Cap
6	1	206405	Service Kit ●
7	1	685090	Flange

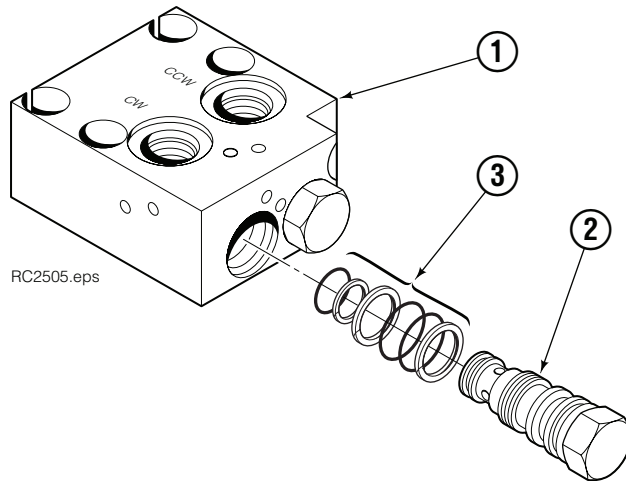
Cascade provides service replacement parts for the listed parts only. Due to cost, if others parts need replacement, the complete Drive Motor should be replaced.

- Compatible with water glycol based hydraulic fluids.

Check Valve

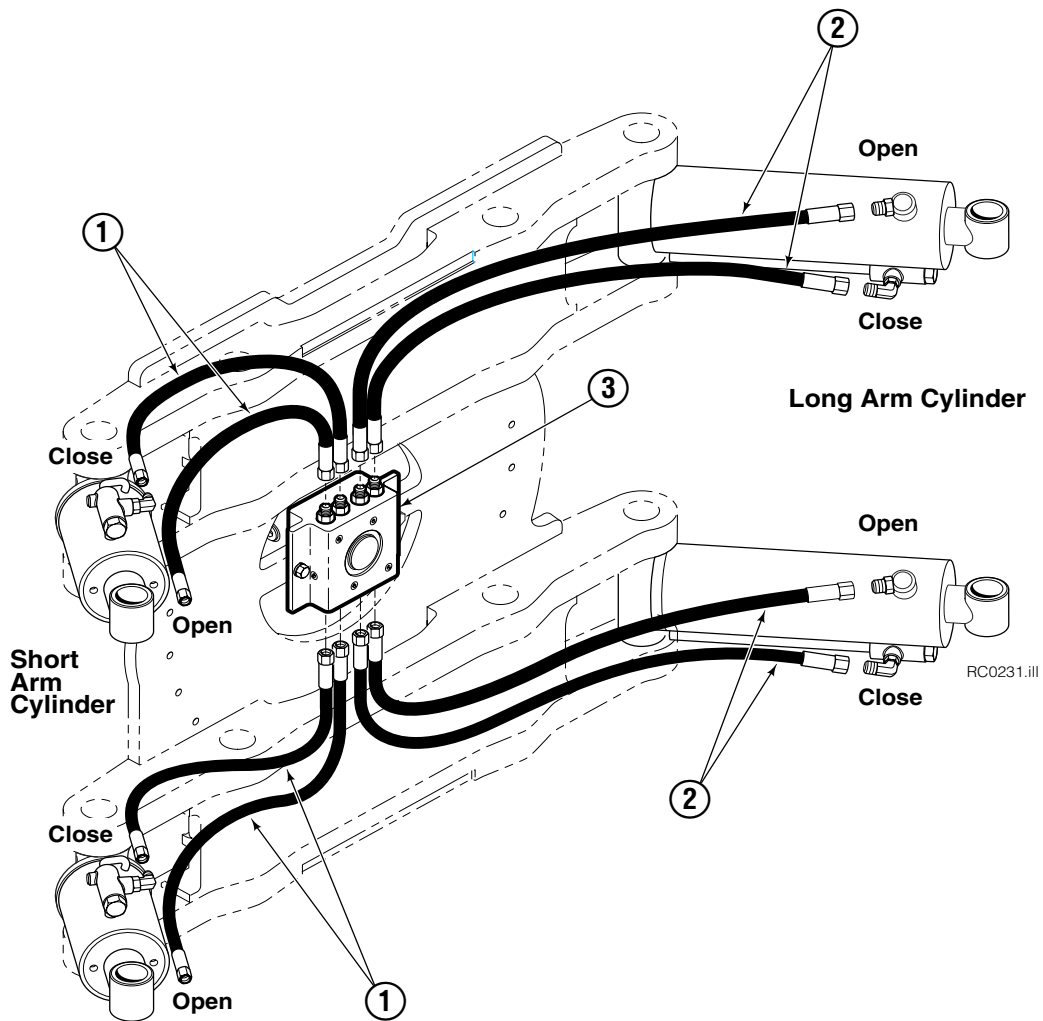


REF	QTY	PART NO.	DESCRIPTION
		670549	Check Valve Assembly
1	2	609453	Fitting, 10
2	2	670552	Spring
3	2	670551	Guide
4	2	7020	Ball
5	2	602580	Fitting, 8
6	2	673989	Spring
7	1	670550	Body
8	1	670553	Spool



REF	QTY	PART NO.	DESCRIPTION
		6063316	Check Valve Assembly
1	1	6063282	Valve Body
2	2	6038929	Check Valve - PO
3	2	667516	Service Kit

Hosing Group Positioned Short Arm



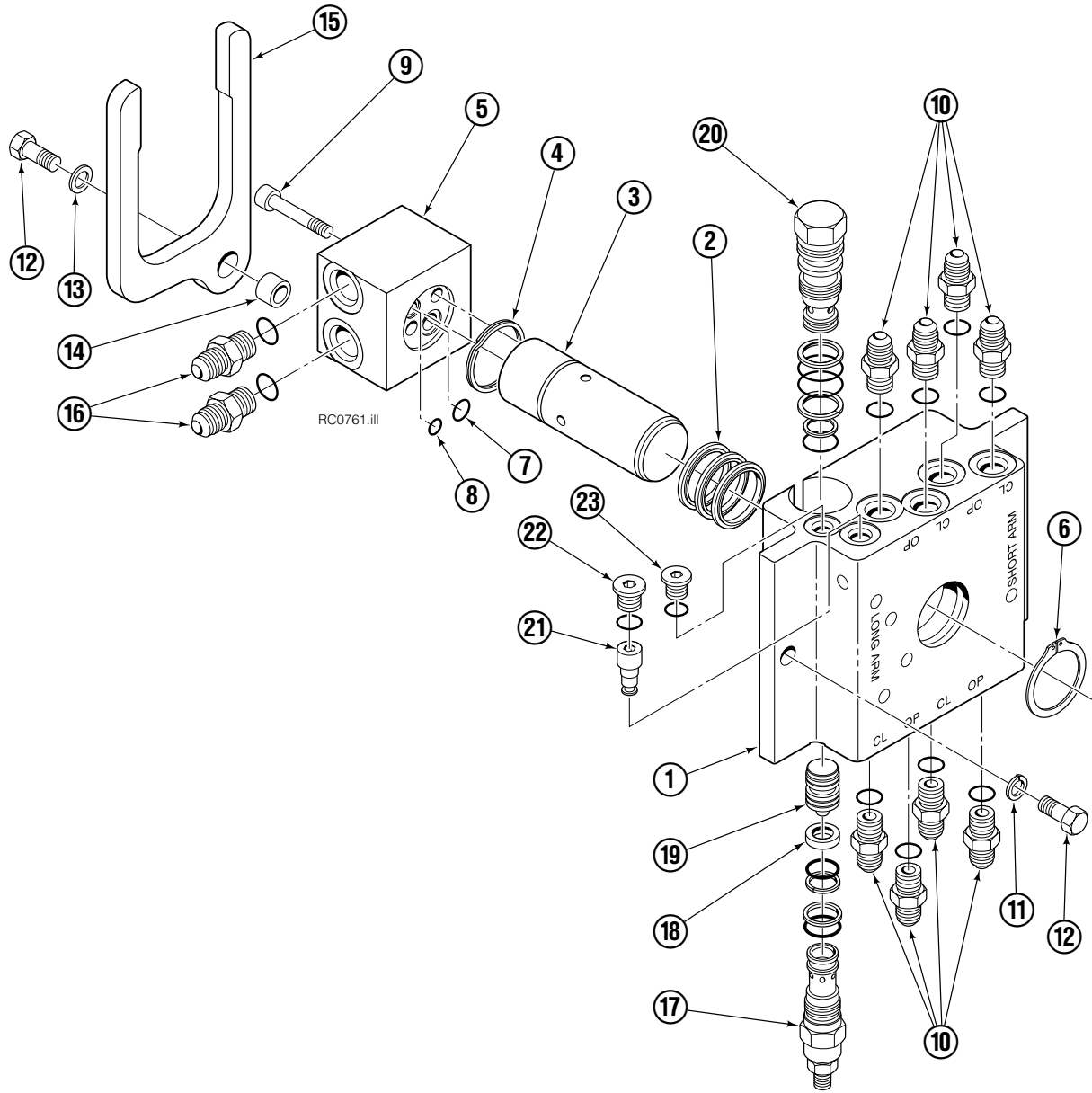
60G			
REF	QTY	51 in. ■	DESCRIPTION
		PART NO.	
		6022007	Hose Group
1	4	210019	Hose, 24.0"
2	4	676086	Hose, 29.20"
3	1	▲	Revolving Connection

■ Maximum roll handling capacity.

▲ See Revolving Connection page for part number.

Reference: S-4193, S-4194.

Revolving Connection Split Long Arm / Fixed Frame

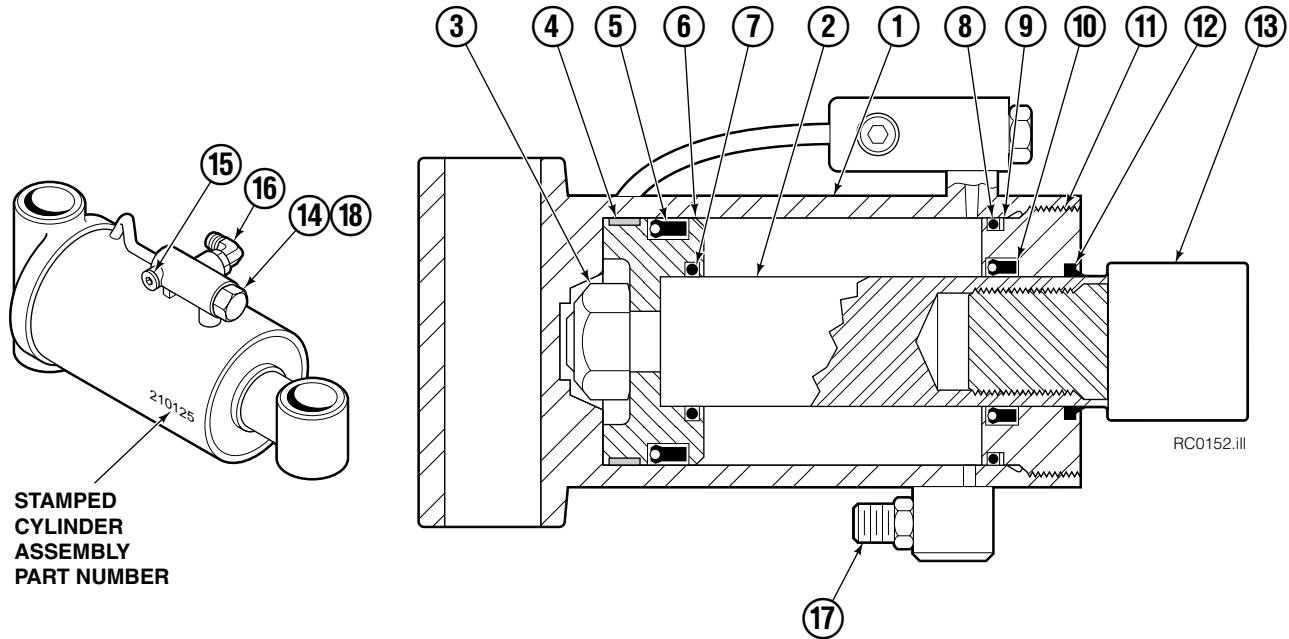


60G							
REF	QTY	PART NO.	DESCRIPTION	REF	QTY	PART NO.	DESCRIPTION
		6023699	Rev. Connection – Pos. Short Arm	12	3	215480	Capscrew, M10 x 25
1	1	6025059	Body	13	1	206322	Washer, M10
2	3	214649	◆ Seal	14	1	212725	Spacer
3	1	6025061	Shaft	15	1	211909	End Block Retainer
4	1	7341	◆ Retaining Ring	16	2	601377	Fitting, 8-8
5	1	227316	End Block	17	1	227331	Sequence Valve
6	1	3138	◆ Retaining Ring	18	1	227318	◆ Quad Ring
7	1	564448	◆ O-ring	19	1	227320	Spool
8	1	684587	◆ O-ring	20	1	6024293	Flow Divider Cartridge
9	2	766123	◆ Capscrew, M8 x 50	21	1	220865	Shuttle Check
10	8	604511	Fitting, 6-6	22	1	609234	Fitting
11	2	681238	Lockwasher, M10	23	1	663694	Fitting

Reference: Revolving Connection Assembly 6025058.

◆ Included in Seal Kit 227665.

Cylinders



60G				
REF	QTY	Short Arm	Long Arm	DESCRIPTION
		51 in. ■	51 in. ■	
		PART NO.	PART NO.	
		210125	6022000	Cylinder Assembly
1	1	4195-175	4195-331	Shell
2	1	4130-159	4130-320	Rod

■ Maximum roll handling capacity.

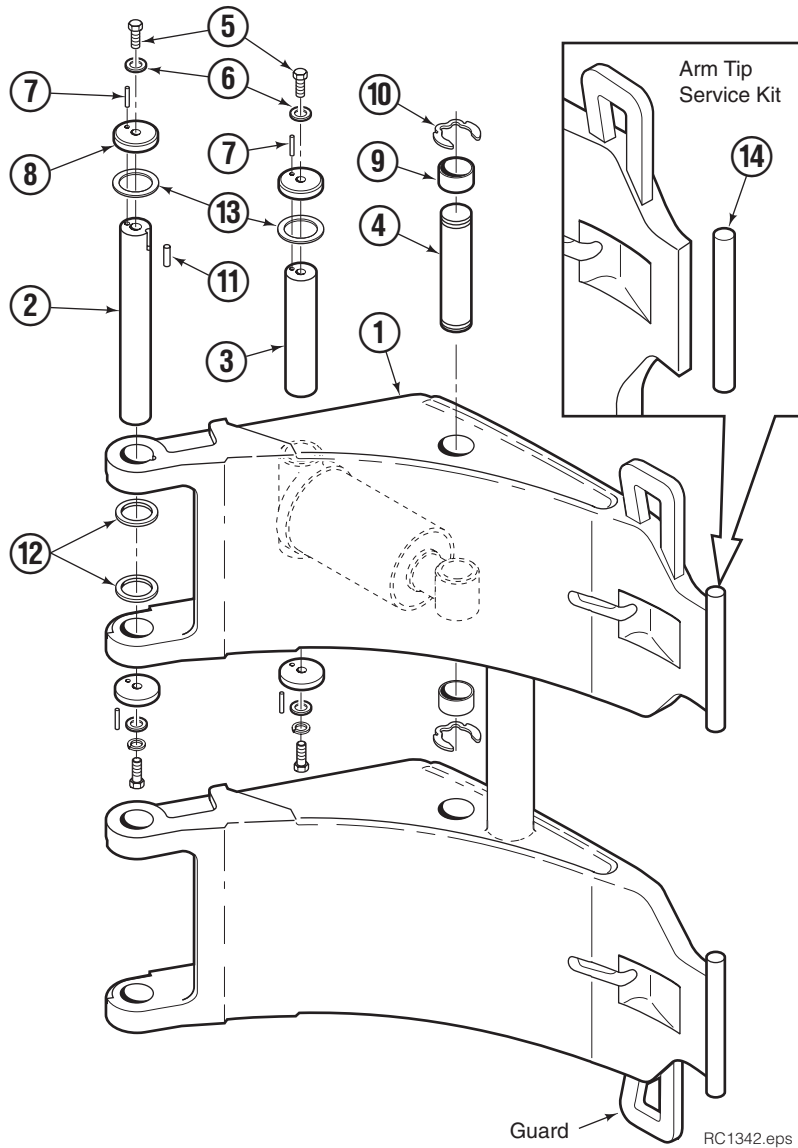
Common Parts

REF	QTY	PART NO.	DESCRIPTION	REF	QTY	PART NO.	DESCRIPTION
3	1	560997	Nut	12	1	564443	▲ Wiper
4	1	211295	▲ Wear Ring	13	1	209764	Rod End
5	1	564902	▲ Seal	14	1	659058	Check Valve
6	1	211292	Piston	15	1	609234	Fitting, 4
7	1	210087	▲ O-Ring	16	1	601676	Fitting, 6-6
8	1	564445	▲ O-Ring	17	1	604511	Fitting, 6-6
9	1	564446	▲ Back-Up Ring	18	1	667516	Check Valve Service Kit
10	1	564442	▲ Seal			210133	Cylinder Service Kit
11	1	209763	Retainer				

▲ Included In Service Kit 210133.

Reference: S-4454, S-4460.

Short Arm

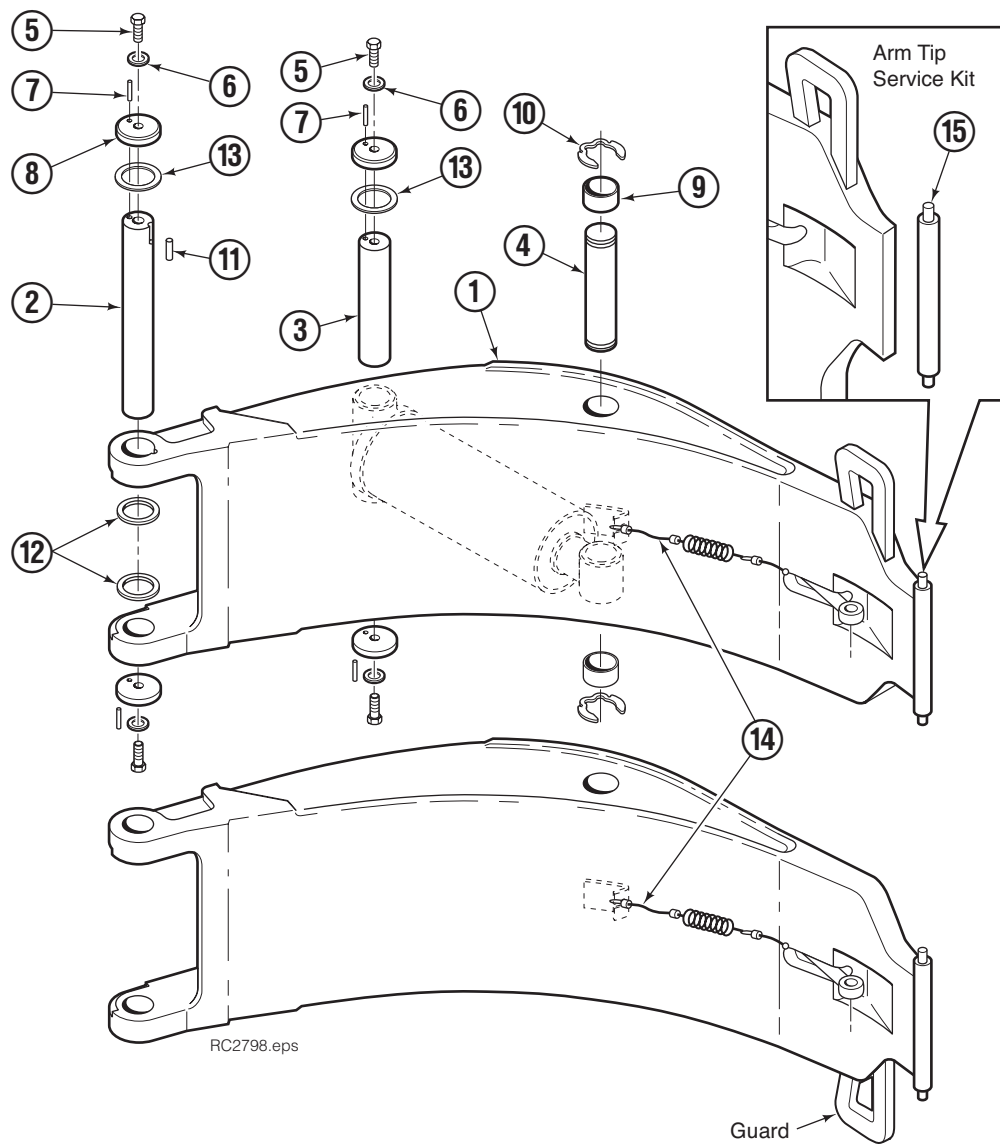


60G			
REF	QTY	51 in. ■	DESCRIPTION
		PART NO.	
		6023464	Arm Group
1	1	6023463	Short Arm

■ Maximum roll handling capacity.

REF	QTY	PART NO.	DESCRIPTION	REF	QTY	PART NO.	DESCRIPTION
2	2	6017336	Arm Pivot Pin	9	4	210080	Bearing
3	2	6023679	Cylinder Pivot Pin	10	4	209986	Retaining Ring
4	2	4175-150	Cylinder Rod Pivot Pin	11	2	212382	Dowel Pin, 8x16 mm
5	8	3007512	Capscrew, M12 x 25	12	16	209941	Shim, .062 in.
6	8	209019	Washer, M12	13	8	213029	Shim
7	8	209776	Roll Pin	14	1	212903	Arm Tip Service Kit
8	8	6017339	Cap				

Split Long Arm Group



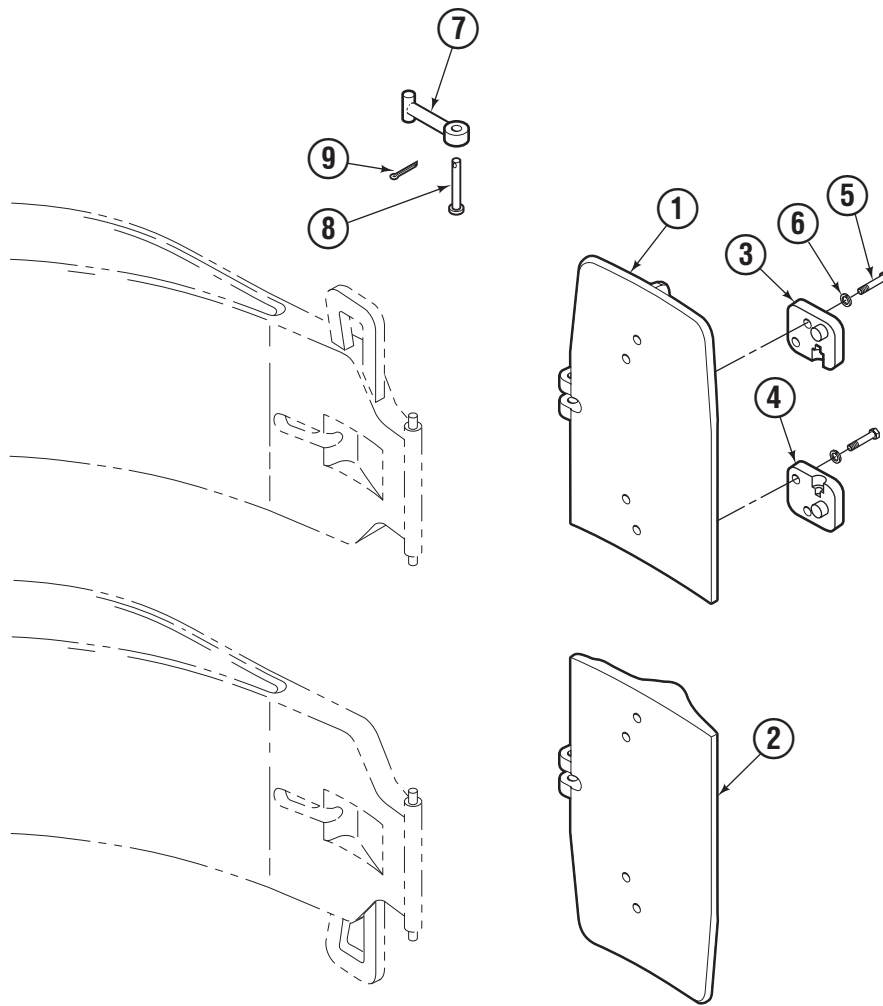
RC2798.eps

60G							
REF	QTY	PART NO.	DESCRIPTION	REF	QTY	PART NO.	DESCRIPTION
		6023497	Long Arm Group (R2) – 51 in. ■	8	8	6017339	Cap
1	1	6023595	Long Arm – LH ◆	9	4	210080	Bearing
	1	6023593	Long Arm – RH ◆	10	4	209986	Retaining Ring
2	2	6017336	Arm Pivot Pin	11	2	212382	Dowel Pin
3	2	6023679	Cylinder Pivot Pin	12	16	209941	Shim (.062 in.)
4	2	4175-150	Cylinder Rod Pivot Pin	13	8	213029	Shim
5	8	3007512	Capscrew, M12 x 25	14	2	4182-080	Cable
6	8	209019	Washer, M12	15	1	212903	Arm Tip Service Kit
7	8	209776	Dowel Pin				

■ Maximum roll handling capacity.

◆ Driver's view, clamp in horizontal position, Long Arm up,

Pad Group – Split Long Arm



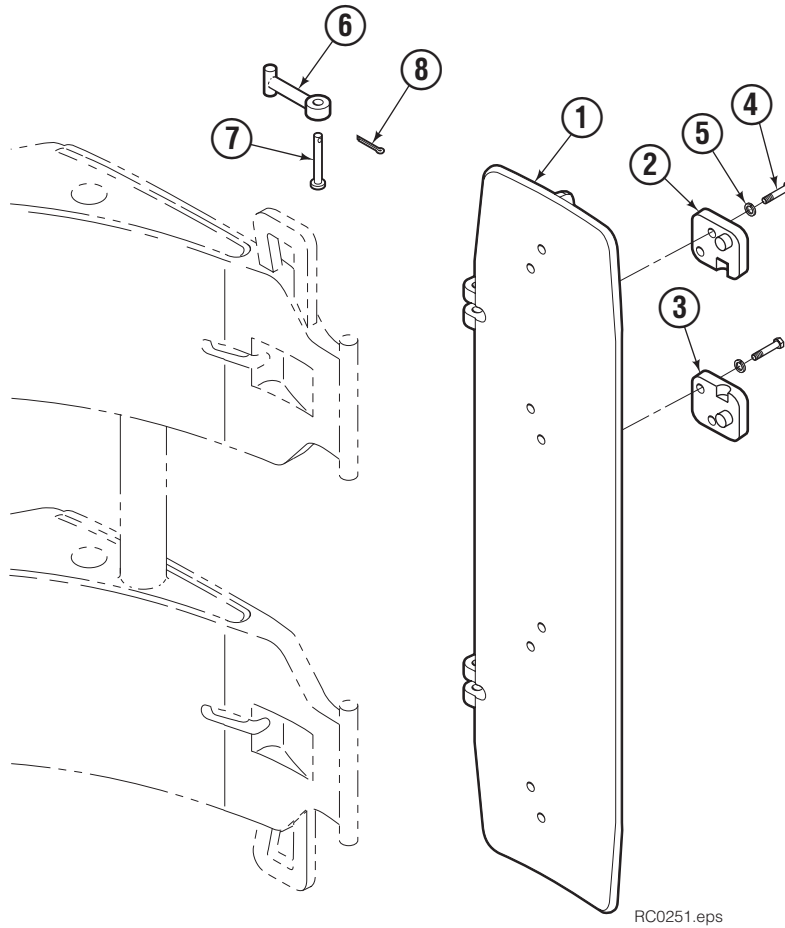
RC2747.eps

60G			
REF	QTY	PART NO.	DESCRIPTION
		209924	Pad Group – R4
1	1	213644	Pad – RH ▲
2	1	213645	Pad – LH ▲

REF	QTY	PART NO.	DESCRIPTION	REF	QTY	PART NO.	DESCRIPTION
		212934	Common Parts Group	6	8	681473	Lockwasher, M12
3	2	211997	Retainer – RH ▲	7	2	209916	Link
4	2	211998	Retainer – LH ▲	8	2	674265	Clevis Pin
5	8	767810	Capscrew, M12 x 25	9	2	6525	Cotter Pin

▲ Driver's view, clamp in horizontal position, Long Arm up.
Reference: S-4176, S-4177.

Pad Group – Short Arm



RC0251.eps

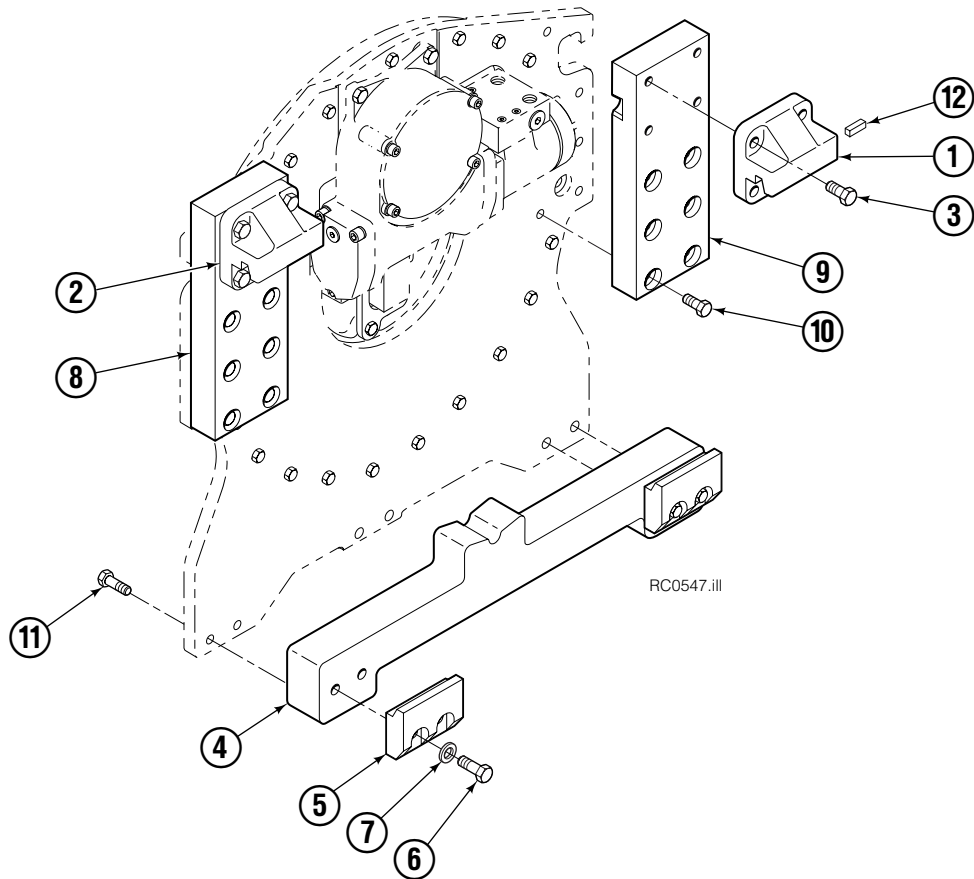
60G			
REF	QTY	55 in. ■ PART NO.	DESCRIPTION
		209877	Contact Pad Group
1	1	209893	Contact Pad

■ Maximum roll handling capacity.

REF	QTY	PART NO.	DESCRIPTION	REF	QTY	PART NO.	DESCRIPTION
		212935	Common Parts Group – Short Arm	5	8	681473	Lockwasher, M12
2	2	209904	Retainer – RH ▲	6	2	209909	Link
3	2	209905	Retainer – LH ▲	7	2	674265	Clevis Pin
4	8	767810	Capscrew, M12 x 25	8	2	6525	Cotter Pin

▲ Driver's view, clamp in horizontal position, Short Arm up.
Reference: S-4176, S-4177.

Mounting Group



Class IV, 0°			
REF	QTY	PART NO.	DESCRIPTION
		399305	Mounting Group
1	1	675061	Upper Hook - RH
2	1	684877	Upper Hook - LH
3	8	679082	Capscrew, M20 x 35
4	1	390449	Center Spacer
5	2	679832	Lower Hook
6	4	779020	Capscrew, M20 x 45
7	4	670692	Washer
8	1	399303	Spacer
9	1	399303	Spacer
10	12	223454	Capscrew, M16 x 55
11	4	779011	Capscrew, M16 x 40
12	1	670704	Stop Kit

Reference: SK-7892.

Do you have questions you need answered right now? Call your nearest Cascade Parts Department. Visit us online at www.cascorp.com

**Cascade Corporation
U.S. Headquarters**
2201 NE 201st
Fairview, OR 97024-9718
Tel: 800-CASCADE (227-2233)
FAX: 888-329-8207

Cascade Canada Inc.
5570 Timberlea Blvd.
Mississauga, Ontario
Canada L4W-4M6
Tel: 905-629-7777
FAX: 905-629-7785

Cascade GmbH
Niederwippekühl 1
58579 Schalksmühle
Germany
Tel: 02355-50900
FAX: 02355-509020

Cascade Finland
A. Petreliuksenkatu 3
01370 Vantaa
Finland
Tel: 09-8361925
FAX: 09-8361935

**Cascade N.V.
Benelux Sales and Service**
Damsluisweg 56
PO Box 3009
1300 El Almere
The Netherlands
Tel: 036-5492950
FAX: 036-5492974

Cascade (UK) Ltd.
Unit 4, 12 O'Clock Court
Attercliffe Road
Sheffield, S4 7WW
England
Tel: 0870-850-8756
FAX: 0870-850-8757

**Sales Scotland
Macade Systems Ltd.**
18 Melford Road
Righead Ind. Estate
Bellshill ML4 3LR
Scotland
Tel: 01698-845777
FAX: 01698-845888

Cascade (Africa) Pty. Ltd.
PO Box 625, Isando 1600
60A Steel Road
Sparton, Kempton Park
South Africa
Tel: 27-11-975-9240
FAX: 27-11-394-1147

Cascade Scandinavia AB
Hammarvägen 10
PO Box 124
S-56723 Vaggeryd
Sweden
Tel: 039-336950
FAX: 039-336959

**Cascade France
S.A.R.L. MHP**
1D Rue De Charaintru BP 18,
91360 Epinay-Sur-Orge
France
Tel: 01-6454-7500
FAX: 01-6454-7501

Cascade Hispania S.A.
Carrer 5, Sector C
Zona Franca Duanera
Poligono de la Zona Franca
08040 Barcelona, Spain
Tel: 93-264-07-30
FAX: 93-264-07-31

Cascade Italia S.R.L.
Via Dell'Artigianato 1
37050 Vago di Lavagno (VR)
Italy
Tel: 39-045-8989111
FAX: 39-045-8989160

Movimenta Lda.
Parque Industrial
Vale do Alecrim, Lote 108
2950-403 Palmela
Portugal
Tel: 351-212387340
FAX: 351-212387349

**Sales Switzerland
Fahrzeugbedarf**
8810, Horgen
Switzerland
Tel: 01-7279797
FAX: 01-7279798

Sales Poland
Targowa 35/61
03-728 Warszawa
Tel: 022-619 00 49
FAX: 022-619 00 49
Mobile Tel: 0501-27 29 55

Sales Russia
EMCG Material Handling
Equipment
Moscow
Tel: 095-795-2400
FAX: 095-795-2475
Email: emcg@emcg.ru

Cascade Japan Ltd.
5-5-41,
Torikai Kami
Settsu, Osaka
Japan, 566
Tel: 81-726-53-3490
FAX: 81-726-53-3497

Cascade Korea
121B 9L Namdong Ind.
Complex, 691-8 Gojan-Dong
Namdong-Ku
Inchon, 405-310 Korea
Tel: 82-32-821-2051
FAX: 82-32-821-2055

Cascade Australia
1445 Ipswich Road
Rocklea, QLD 4107
Australia
Tel: 1-800-227-223
FAX: 617-3373-7333

Cascade New Zealand
15 Ra Ora Drive
East Tamaki, Auckland
New Zealand
Tel: 64-9-273-9136
FAX: 64-9-273-9137

Cascade-Xiamen
No. 668 Yangguang Rd.
Xinyang Industrial Zone
Haicang, Xiamen City
Fujian Province
P.R. China 361026
Tel: 86-592-651-2500
FAX: 86-592-651-2571

**Sunstream Industries
Pte Ltd.**
No. 3 Tuas Link 1
2263
Singapore
Tel: 65-6863-3488
FAX: 65-6863-1368

**Cascade do Brasil
Distribuidora de Garras
e Garfos LTDA**
Av. General Valdomiro
de Lima 43
Jabaquara - Sao Paulo - S.P.
Brasil CEP 04344-070
Tel: 55-11-5016-2484
Fax: 55-11-5013-2809

