



Parts Manual

Model Double Wide Sideshifter

Serial Number 65D-SSD-187

cascade[®]
corporation

For Technical Assistance call: 800-227-2233, Fax: 888-329-8207

To Order Parts call: 888-227-2233, Fax: 888-329-0234

OR

Write: Cascade Corporation, P.O. Box 20187, Portland, OR 97220

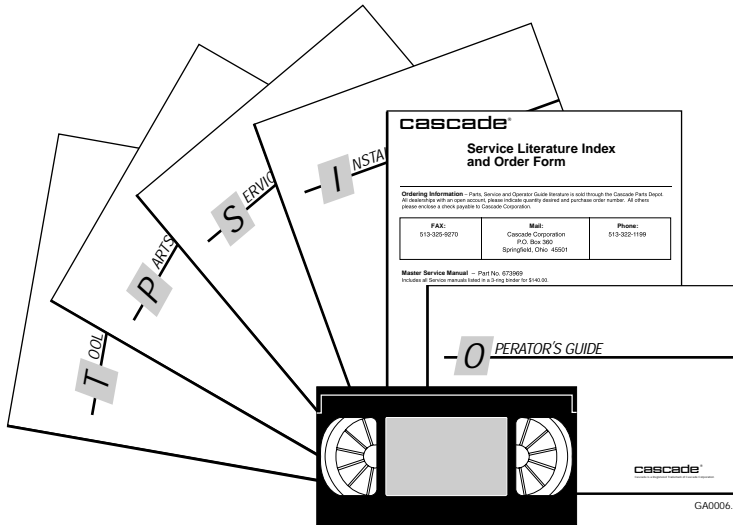
Internet: www.cascorp.com

Safety Decals



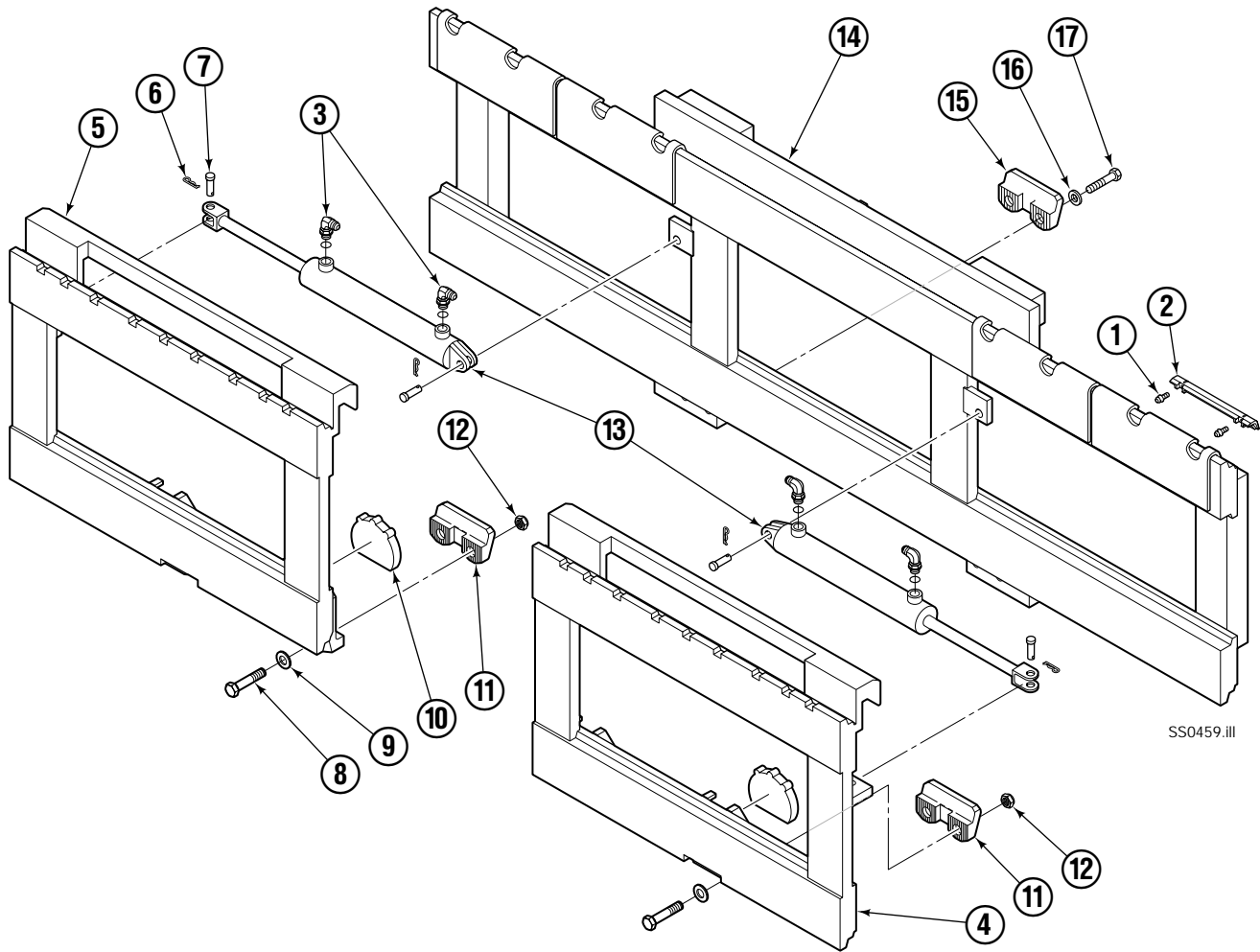
65D	
PART NO.	DESCRIPTION
679150	'No Step' Decal
221906	'Pinch Point' Decal

Publications



65D	
PART NO.	DESCRIPTION
677487	Service Manual
672715	Operator's Guide
672358	Installation Instructions
680664	'Servicing Cascade Cylinders' – VHS
679929	Tool Catalog
673964	Literature Index Order Form

Sideshifter Group

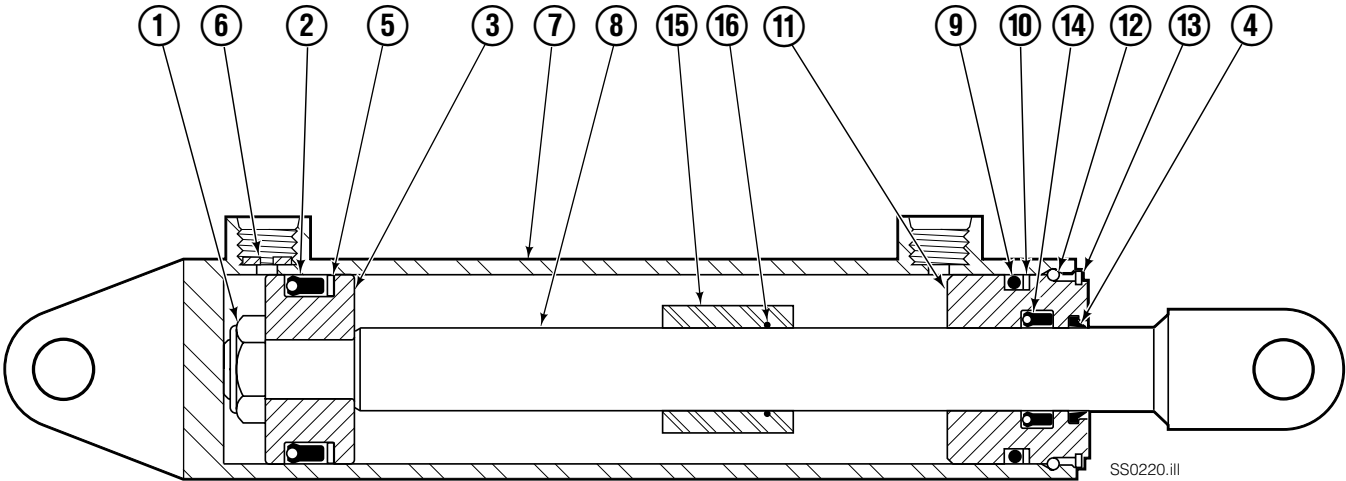


65D							
REF	QTY	PART NO.	DESCRIPTION	REF	QTY	PART NO.	DESCRIPTION
		6008220	Sideshifter Group	9	8	667225	Washer, .625
1	8	7403	Grease Fitting	10	4	676650	Lower Bearing
2	4	672018	Bearing Segment	11	4	677160	Lower Hook
3	4	601676	Fitting, 6-6	12	8	553857	Nut, .625
4	1	6008108	Faceplate - LH ■	13	2	391793	Cylinder ●
5	1	6008147	Faceplate - RH ■	14	1	6008341	False Carriage ★
6	4	672726	Cotter Pin	15	2	675969	Lower Hook ◆★
7	4	206926	Clevis Pin	16	4	667225	Washer ◆★
8	8	638601	Capscrew, .625 x 2.00	17	4	667369	Capscrew ◆★

- If the faceplate needs replacing, your best value is to order the complete sideshifter assembly.
- See Cylinder page for parts breakdown.

- ◆ Included in Lower Hook Group 678935.
- ★ Not included in Sideshifter Group.

Sideshift Cylinder



SS0220.ill

REF	QTY	PART NO.	DESCRIPTION
		391793	Cylinder Assembly
1	1	553857	Nut
2	1	553501	Piston
3	1	662452	Seal ■
4	1	636851	Wiper ■
5	1	638247	Back-up Ring ■
6	1	675550	Washer
7	1	391798	Shell
8	1	390571	Rod
9	1	2785	O-Ring ■
10	1	615128	Back-up Ring ■
11	1	553500	Retainer
12	1	553856	Retaining Ring
13	1	7202	Snap Ring
14	1	641835	Seal ■
15	1	—	Spacer
		553861	Service Kit

■ Included in Service Kit 553861.

Reference: S-8813, S-8815.

Do you have questions you need answered right now? Call your nearest Cascade Parts Department.

Cascade Corporation
2501 Sheridan Avenue
Springfield, OH 45505
Tel: 888-CASCADE (227-2233)
FAX: 888-329-0234
www.cascorp.com

Cascade Canada Inc.
5570 Timberlea Blvd.
Mississauga, Ontario
Canada L4W-4M6
Tel: 905-629-7777
FAX: 905-629-7785

Cascade GmbH
D-41199 Monchengladbach
Klosterhofweg 52
Germany
Tel: 21-66-602091
FAX: 21-66-680947

Cascade Finland
01370 Vantas
Finland
Tel: 358-0-836-1925
FAX: 358-0-836-1935

**Cascade N.V.
European Headquarters**
P.O. Box 3009
1300 El Almere
Damsluisweg 56
1332 ED Almere
The Netherlands
Tel: 31-36-5492911
FAX: 31-36-5492964

**Cascade N.V.
Benelux Sales and Service**
P.O. Box 3009
1300 El Almere
Damsluisweg 56
1332 ED Almere
The Netherlands
Tel: 31-36-5492950
FAX: 31-36-5492974

Cascade (UK) Ltd.
15, Orgreave Crescent
Dore House Industrial Estate
Handsworth
Sheffield S13 9NQ
England
Tel: 742-697524
FAX: 742-695121

**Cascade Scandinavia
Hydraulik A.B.**
Muskötgatan 19, E8-9
S25466 Helsingborg
Sweden
Tel: 42-151135
FAX: 42-152997

Cascade Norway
Østerliveien 37A
1153 Oslo
Norway
Tel: 47-22-743160
FAX: 47-22-743157

Cascade France S.A.R.L.
11, Rue Jean Charcot
Zone Industrielle Sud or
B.P. 22
91421 Morangis Cedex
France
Tel: 1- 64547501
FAX: 1-9790584

Cascade Hispania S.A.
Avenida De La Fabregada, 7
Hospitalet De Llobregat
Barcelona
Spain
Tel: 3-335-5158
FAX: 3-335-4756

Cascade Japan Ltd.
5-5-41,
Torikai Kami
Settsu, Osaka
Japan, 566
Tel: 81-726-53-3490
FAX: 81-726-53-3497

Cascade Korea
Room 508, Pum Yang Bldg.
750-14, Bang Bac-Dong
Se-Cho Ku, Seoul
Korea
Tel: 2599-7131 ext. 512
FAX: 2533-8089

HYCO-Cascade Pty. Ltd.
1445 Ipswich Road
Rocklea,
Queensland 4107
Australia
Tel: 3-274-2722
FAX: 3-274-3456

HYCO-Cascade (NZ) Ltd.
15 Ra Ora Drive, East Tamaki
P.O. Box 38-440
Howick, Auckland
New Zealand
Tel: 9-273-9136
FAX: 9-273-9137

Cascade (Africa) Pty. Ltd.
P.O. Box 625, Isando 1600
60A Steel Road
Sparton, Kempton Park
South Africa
Tel: 975-9240
FAX: 394-1147

Cascade-Xiamen
Wanshan No. 1 Workshop
Huli Road
Xiamen 361006
Fujian, PRC
Tel: 592-562-4600
FAX: 592-562-4671

**Cascade (Singapore)
Trading Co.**
Four Seasons Park
Autumn Block - Apt. 1802
12 Cascaden Walk
Singapore
Tel: 65-834-1935
FAX: 65-834-1936

