



Parts Manual

Model _____ **Fork Clamp**

Serial Number _____ **80D-CFS-12BR0**

cascade[®]
corporation

For Technical Assistance call: 800-227-2233, Fax: 888-329-8207

To Order Parts call: 888-227-2233, Fax: 888-329-0234

OR

Write: Cascade Corporation, P.O. Box 20187, Portland, OR 97220

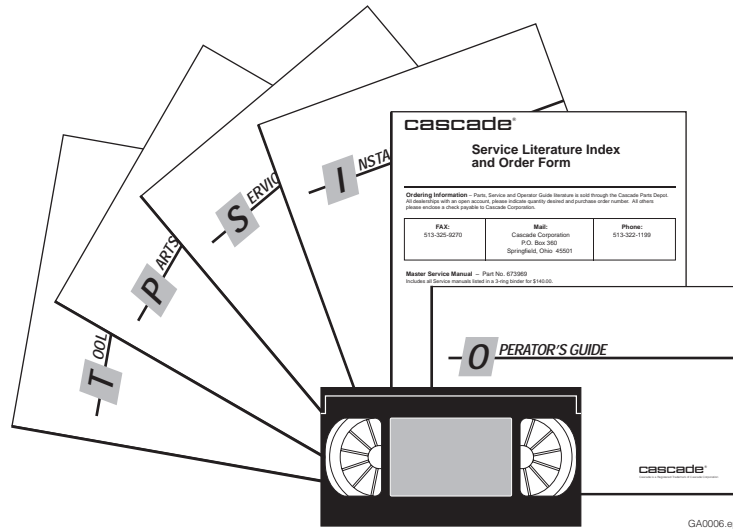
Internet: www.cascorp.com

Safety Decals



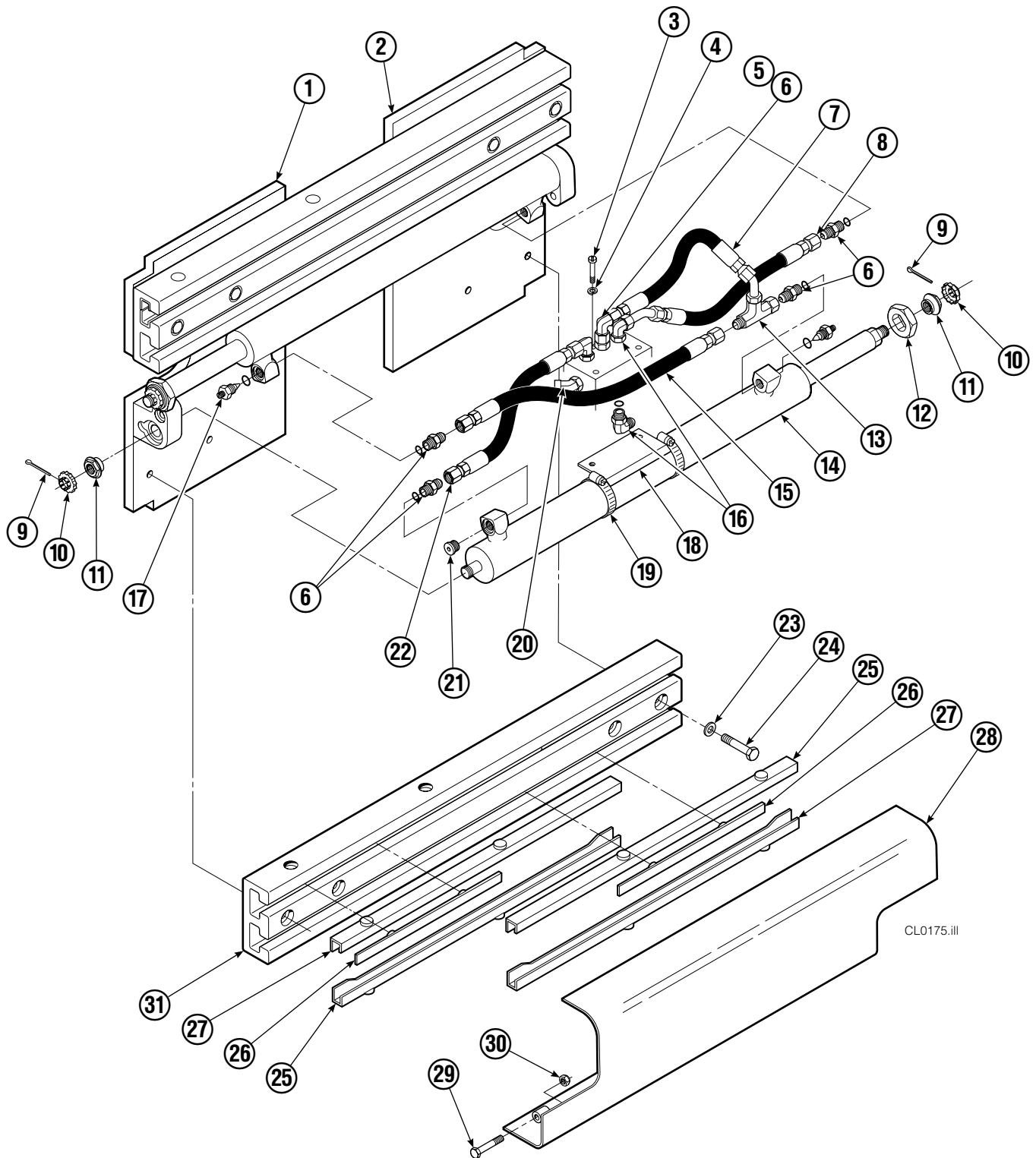
REF	QTY	PART NO.	DESCRIPTION
1	1	679150	No Step Decal
2	2	665595	No Hand Hold Decal
3	1	679059	Quick Change Hook Decal

Publications



PART NO.	DESCRIPTION
669224	Service Manual
672944	Operators Guide
668987	Installation Instructions
680664	Servicing Cascade Cylinders-VHS
679929	Tool Catalog
673964	Literature Index Order Form

Base Unit Group



CL0175.iii

Base Unit Group

80D			
REF	QTY	PART NO.	DESCRIPTION
		682460	Base Unit Group
1	1	682456	Mounting Plate – RH
2	1	682452	Mounting Plate – LH
3	2	768529	Capscrew
4	2	6287	Lockwasher, 5/16 in.
5	1	605761	Fitting, 8-8
6	5	601377	Fitting, 8-8
7	1	681761	Hose, 9.5 in.
8	1	676111	Hose, 18.25 in.
9	4	6513	Cotter Pin
10	4	676110	Retainer
11	4	676109	Nut
12	2	676108	Washer
13	1	611330	Fitting
14	2	676429	Cylinder ▲
15	1	676113	Hose, 17.0 in.
16	3	601250	Fitting, 8-8
17	2	667609	Restrictor Cartridge ●
18	1	676115	Bracket
19	2	644588	Clamp
20	1	611303	Fitting, 8-8
21	2	602580	Fitting, 8
22	1	676114	Hose, 18.5 in.
23	8	670692	Washer, 13/16 ID
24	8	676793	Capscrew
25	4	676104	Bearing
26	4	667663	Bearing
27	4	676105	Bearing
28	1	676106	Bumper
29	2	768560	Capscrew
30	2	773842	Nut, M12
31	2	676103	Frame
	■	678036	Cylinder Nut Service Kit

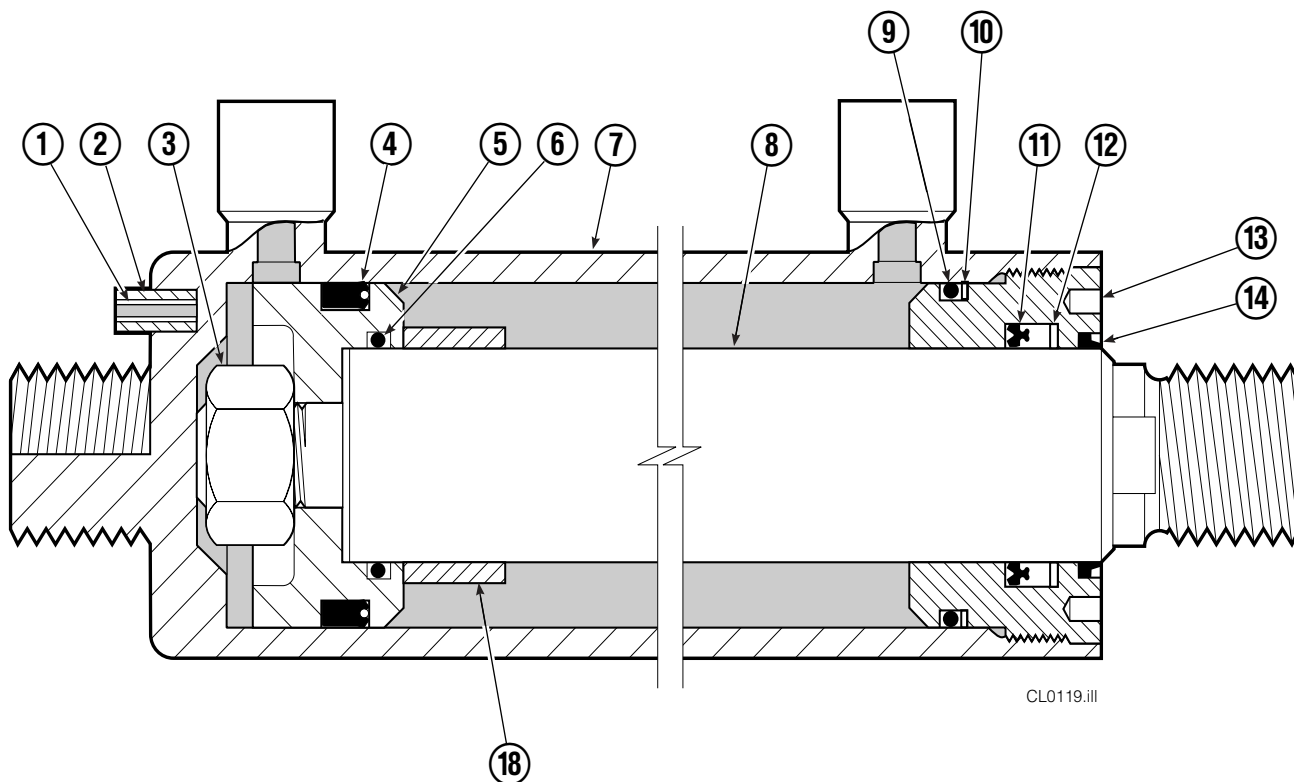
▲ See Cylinder page for parts breakdown.

■ Includes one each of items 9, 10 and 11.

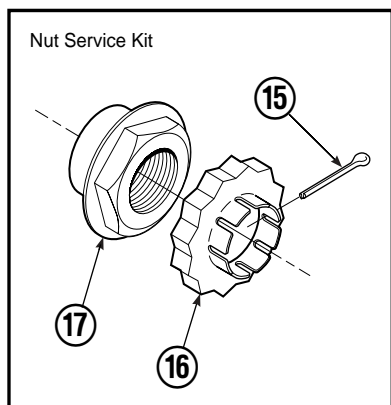
● See Restrictor Cartridge page for parts breakdown.

Reference: Common Parts 676794, SK-5368.

Cylinder



CL0119.ill



70D			
REF	QTY	PART NO.	DESCRIPTION
		676429	Cylinder Assembly
1	1	7882	Roll Pin
2	1	7964	Roll Pin
3	1	560997	Nut
4	1	557574	● Seal
5	1	558405	Piston
6	1	2787	● O-Ring
7	1	556463	Shell
8	1	556464	Rod
9	1	2795	● O-Ring
10	1	615138	● Back-Up Ring
11	1	553520	● Seal
12	1	636701	● Back-Up Ring
13	1	556563	Retainer
14	1	624572	● Wiper
15	1	6513	▲ Cotter Pin
16	1	676110	▲ Retainer
17	1	676109	▲ Nut
18	1	-	Spacer
		556486	Service Kit
		678036	Nut Service Kit ★

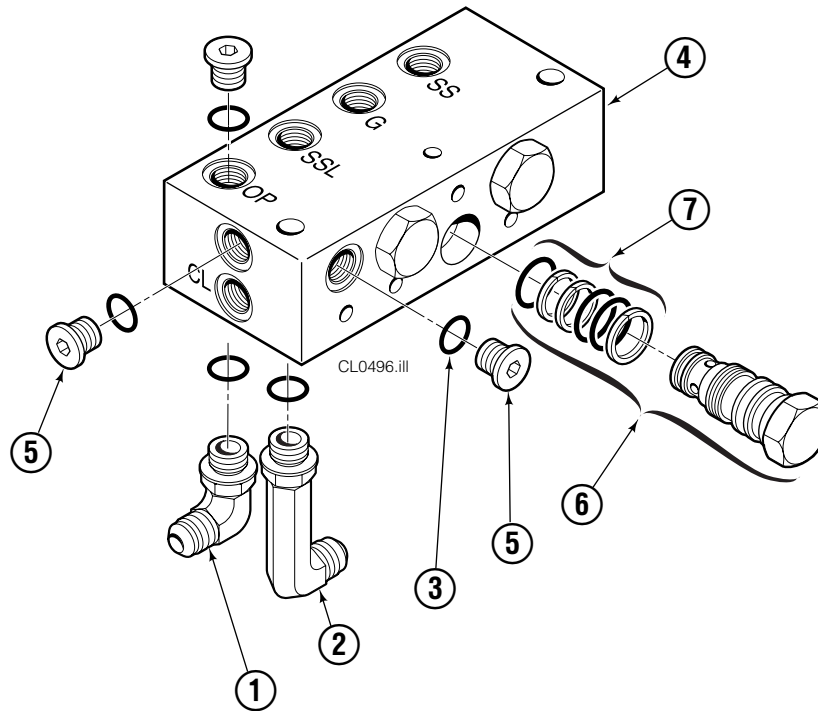
● Included in Service Kit 556486.

▲ Included in Service Kit 678036.

★ Not included in Cylinder Assembly.

Reference: S-5259, S-5260.

Valve Group Sideshift

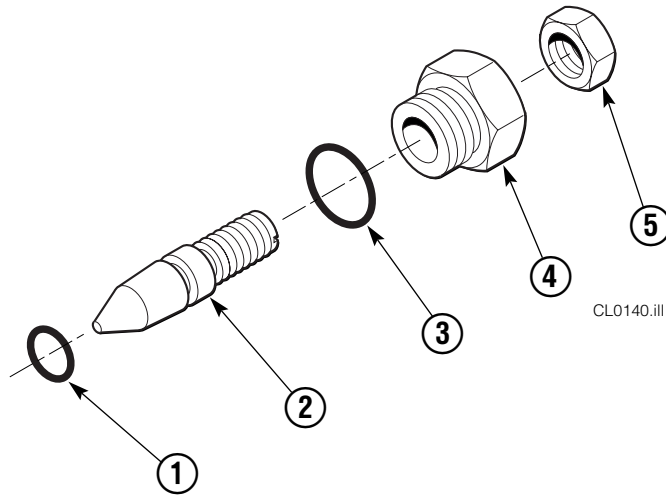


REF	QTY	PART NO.	DESCRIPTION
		676768	Valve Group
	●	676779	Valve Assembly
1	1	601250	Fitting, 8-8
2	1	660385	Fitting, 8-8
3	4	2841	O-Ring ▲
4	1	676781	Valve Body
5	4	602580	Plug, 8
6	3	661816	Check Valve – PO
7	3	656223	Service Kit - Check Valve ▲
		676169	Service - Valve

● Includes items 3 – 7.

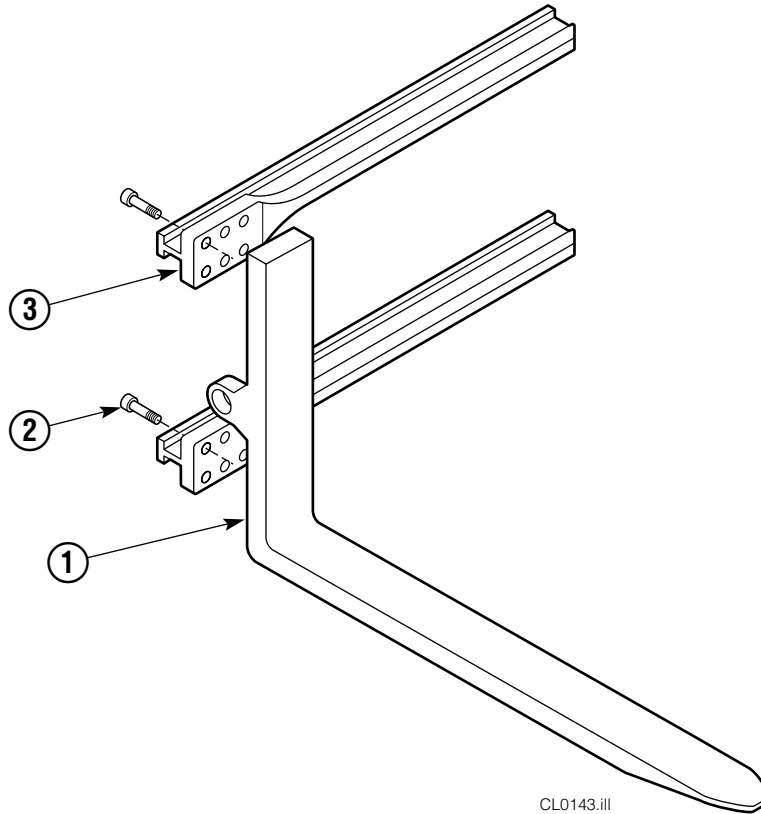
▲ Included in Service Kit 676169.

Restrictor Cartridge



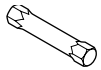
REF	QTY	PART NO.	DESCRIPTION
		667609	Restrictor Cartridge
1	1	2701	O-Ring
2	1	667611	Plunger
3	1	2841	O-Ring
4	1	667610	Plug - Special
5	1	5716	Jam Nut

Bolt-On Pallet Forks



ARM CAPSCREW EXTENSION TOOL

Required for proper torquing of capscrews



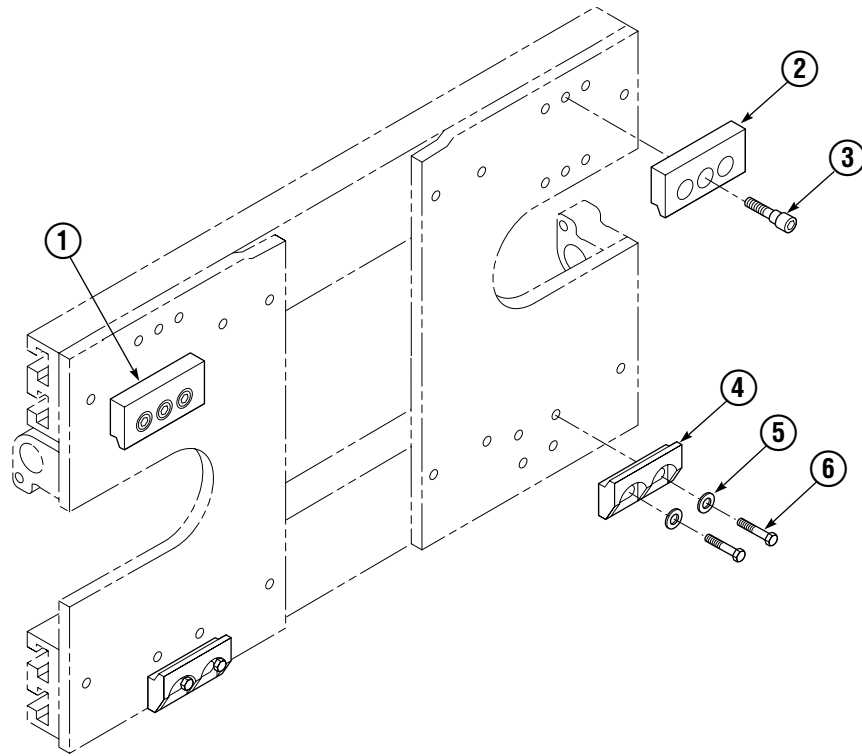
80D

676218

80D			
REF	QTY	PART NO.	DESCRIPTION
		676950	Fork Group ▲
1	1	676942	Pallet Fork – LH
1	1	676946	Pallet Fork – RH
2	24	676840	Capscrew
3	4	676132	Arm Bar

▲ Includes items 1 & 2 only.

Bolt-On Mounting Group



CL0159.iii

Class III

REF	QTY	PART NO.	DESCRIPTION
		676124	Mounting Group
1	1	676125	Upper Hook - LH
2	1	676126	Upper Hook - RH
3	6	676801	Capscrew, M20 x 50
4	2	675969	Lower Hook
5	4	667225	Washer, 5/8 in. ID
6	5	779009	Capscrew, M16 x 30

Do you have questions you need answered right now? Call your nearest Cascade Parts Department. Visit us online at www.cascorp.com

Cascade Corporation
2501 Sheridan Avenue
Springfield, OH 45505
Tel: 888-CASCADE (227-2233)
FAX: 888-329-0234

Cascade Canada Inc.
5570 Timberlea Blvd.
Mississauga, Ontario
Canada L4W-4M6
Tel: 905-629-7777
FAX: 905-629-7785

Cascade GmbH
D-41199 Monchengladbach
Klosterhofweg 52
Germany
Tel: 49-216-668230
FAX: 49-216-6682323

Cascade Finland
Albert Petreliuksenkatu 3
01370 Vantaa
Finland
Tel: 358-9-836-1925
FAX: 358-9-836-1935

**Cascade N.V.
European Headquarters**
P.O. Box 3009
1300 El Almere
Damluisweg 56
1332 ED Almere
The Netherlands
Tel: 31-36-5492911
FAX: 31-36-5492964

**Cascade N.V.
Benelux Sales and Service**
P.O. Box 3009
1300 El Almere
Damluisweg 56
1332 ED Almere
The Netherlands
Tel: 31-36-5492950
FAX: 31-36-5492974

Cascade (UK) Ltd.
15, Orgreave Crescent
Dore House Industrial Estate
Handsworth
Sheffield S13 9NQ
England
Tel: 742-697524
FAX: 742-695121

Cascade Scandinavia AB
Box 124
Hammarvägen 10
567 23 Vaggeryd
Sweden
Tel: 42-0-393-36950
FAX: 46-0-393-36959

Cascade Norway
Østerliveien 37A
1153 Oslo
Norway
Tel: 47-22-743160
FAX: 47-22-743157

Cascade France S.A.R.L.
1D Rue De Charaintru
BP 18, 91360 Epinay-Sur-Orge
Morangis Cedex, France
Tel: 33-1- 64547500
FAX: 33-1-64547501

Cascade Hispania S.A.
Carrer 5 Sector C
Zona Franca Duanera
Poligono de la Zon Franca
08040 Barcelona, Spain
Office No. 256
Tel: 93-264-07-30
FAX: 93-264-07-31

Cascade Japan Ltd.
5-5-41,
Torikai Kami
Settsu, Osaka
Japan, 566
Tel: 81-726-53-3490
FAX: 81-726-53-3497

Cascade Korea
108B, Namdong Ind Complex
658-3 Gojan-Dong
Namdong-Gu
Inchon, 405-310 Korea
Tel: 82-32-821-2051
FAX: 82-32-821-2055

Cascade Australia
1445 Ipswich Road
Rocklea, QLD 4106
Australia
Tel: 1-800227-223
FAX: (07) 3373-7333

Cascade New Zealand
15 Ra Ora Drive
East Tamaki, Auckland
New Zealand
Tel: 9-273-9136
FAX: 9-273-9137

Cascade (Africa) Pty. Ltd.
P.O. Box 625, Isando 1600
60A Steel Road
Sparton, Kempton Park
South Africa
Tel: 27-11-975-9240
FAX: 27-11-394-1147

Cascade-Xiamen
No. 668 Yangguang Rd.
Xinyang Industrial Zone
Haicang, Xiamen City
Fujian Province
P.R. China 361026
Tel: 86-592-651-2500
FAX: 86-592-651-2571

**Cascade (Singapore)
Trading Co.**
Four Seasons Park
Autumn Block - Apt. 1802
12 Cuscaden Walk
Singapore
Tel: 65-834-1935
FAX: 65-834-1936

