



Technical Bulletin

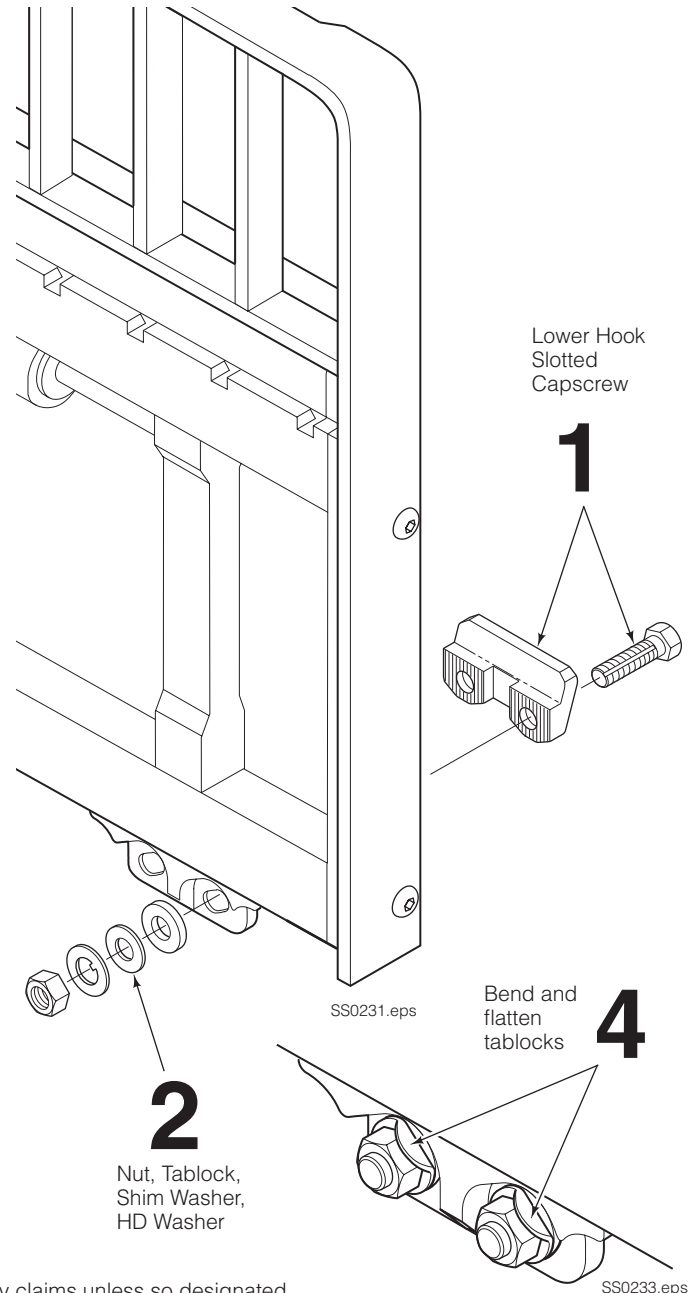
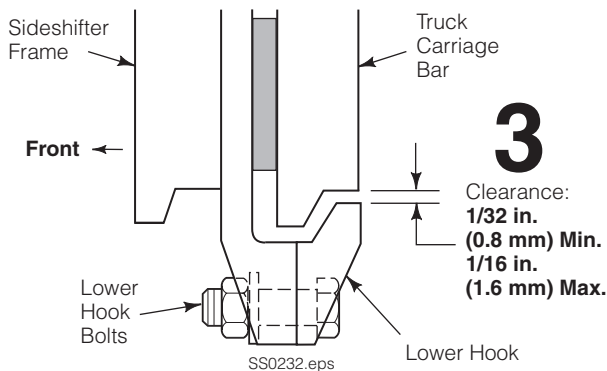
Sideshifter & Fork Positioners Lower Hook Security Mounting Kits

This sheet describes the installation of Lower Hook Capscrew Security Kits for Cascade Sideshifters and Fork Positioners. The kits include the correct grade capscrews, washers, nuts and tablocks.

Sideshifter & Fork Positioner	Kit Part Number
55D	368382
60D	347150
100D	647151
150D	357245
55E, 60E, 100E	347149
55F	347149
55F, 65F, 100F	366102
55K, 65K, 100K	366102

- 1 Remove the existing capscrews, nuts and washers from the sideshifter lower mounting hooks.
- 2 Install the new capscrews, washers, nuts and tablocks.
- 3 Adjust the lower hook clearance, as shown. Tighten capscrews to 120 ft.-lbs. (165 Nm).
- 4 Bend and flatten a portion of each tablock onto a nut flat to secure the fasteners.

NOTE: Capscrews are shown positioned with the nuts toward the front for ease of installation. If interference problems are encountered, the capscrews may be installed from the other side, but the tablock must be bent and flattened against the lower hook mount.



NOTE: This information should not be interpreted as the basis for warranty claims unless so designated.



For Technical Support . . .

Call: 1-800-CASCADE (227-2233)

OR

Write: Cascade Corporation, PO Box 20187, Portland, OR 97294-0187

To Order Parts . . .

Call: 1-888-CASCADE (227-2233)

OR

Write: Cascade Corporation, 2501 Sheridan Ave., Springfield, OH 45505