



Parts Manual

Model _____ Paper Roll Clamp

Serial Number _____ 77F-RDP-153

cascade[®]
corporation

For Technical Assistance call: 800-227-2233, Fax: 888-329-8207

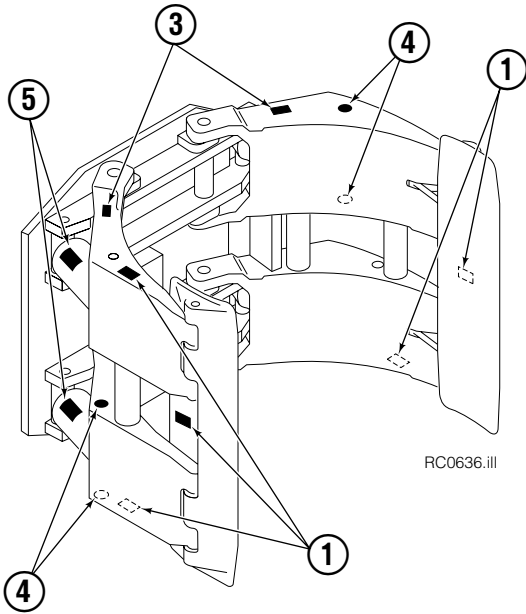
To Order Parts call: 888-227-2233, Fax: 888-329-0234

OR

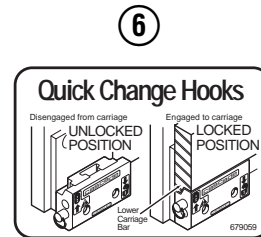
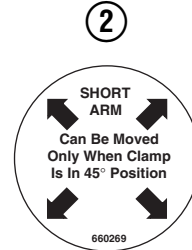
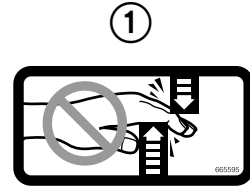
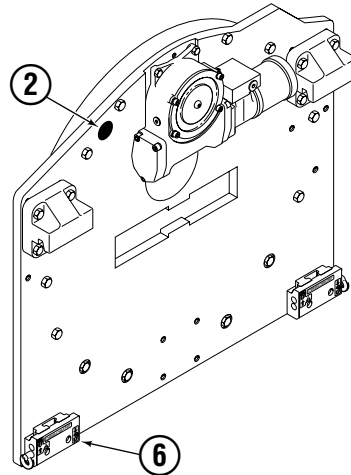
Write: Cascade Corporation, P.O. Box 20187, Portland, OR 97220

Internet: www.cascorp.com

Safety Decals

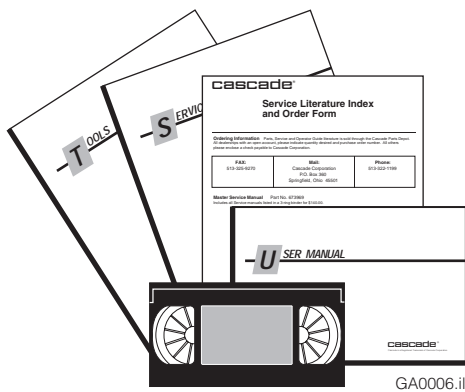


RC0636.ill



| Roll Clamp Safety Decals | | | |
|--------------------------|-----|----------|-----------------------------------|
| REF | QTY | PART NO. | DESCRIPTION |
| 1 | 6 | 665595 | No Hand Hold Decal |
| 2 | 3 | 660269 | Short Arm Rotation Position Decal |
| 3 | 4 | 656038 | Caution Decal |
| 4 | 4 | 679150 | No Step Decal |
| 5 | 4 | 665677 | Trapped Pressure Decal |
| 6 | 1 | 679059 | Quick-Change Hook Decal |

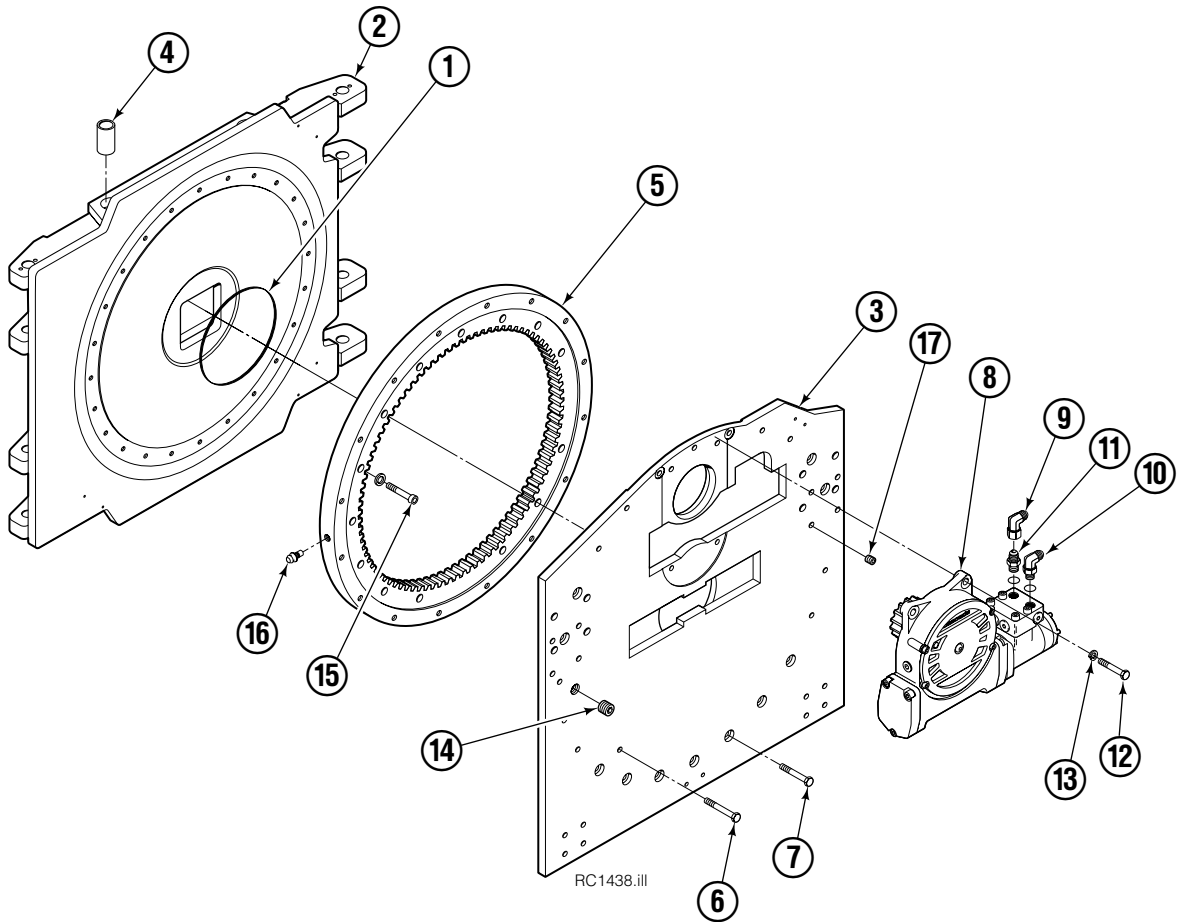
Publications



GA0006.ill

| Roll Clamp Publications | |
|-------------------------|---|
| 674512 | Service Manual |
| 674509 | Operator's Guide – Fixed Frame |
| 676268 | Operator's Guide – Swing Frame |
| 674510 | Installation Instructions – Fixed Frame |
| 674511 | Installation Instructions – Swing Frame |
| 677555 | Driver Training Video – VHS |
| 678363 | Troubleshooting Video – VHS |
| 680664 | Servicing Cascade Cylinders – VHS |
| 679929 | Tool Catalog |
| 673964 | Literature Index Order Form |

Frame Group

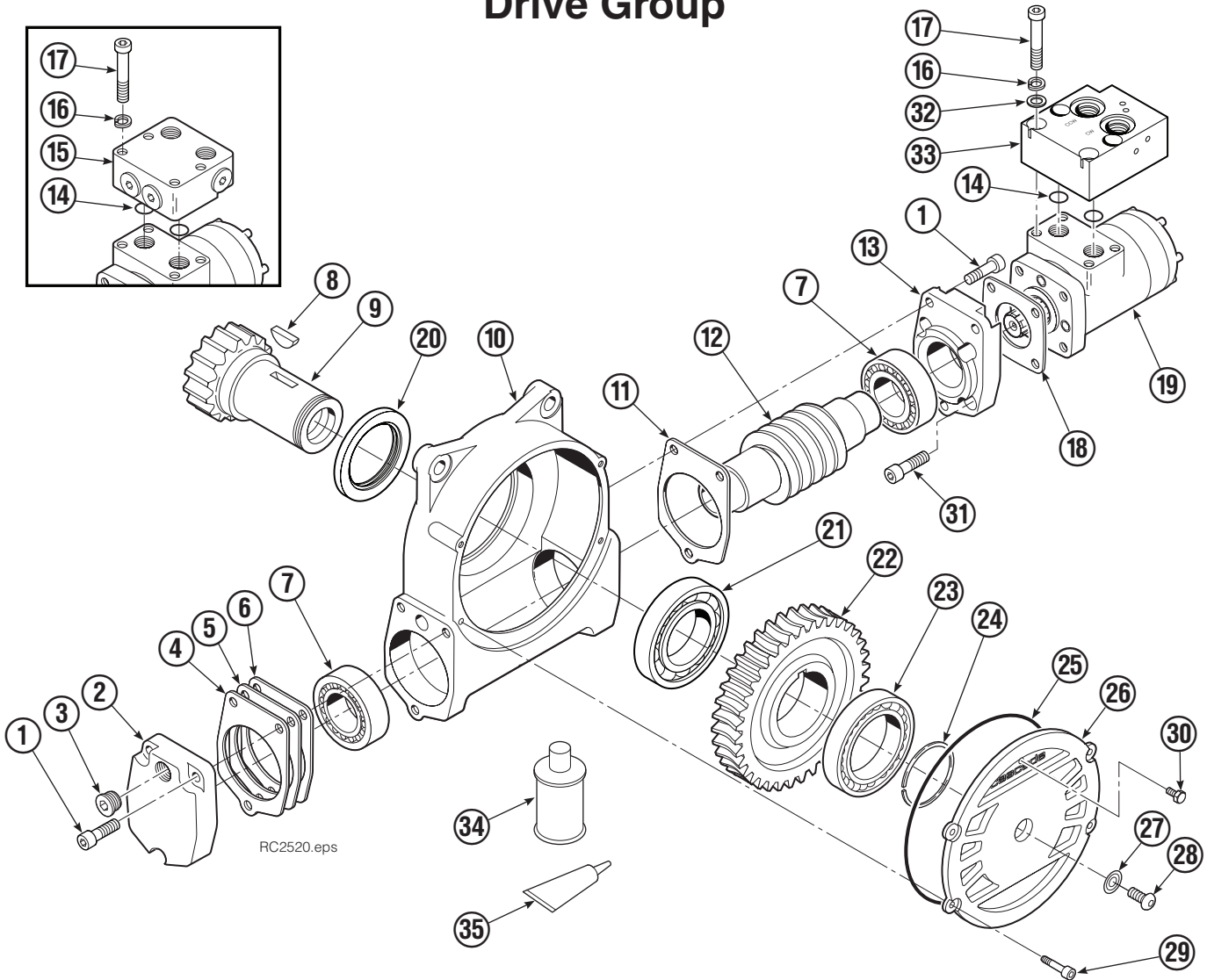


| 77F | | | |
|------------|-----|----------|--------------------------------------|
| REF | QTY | PART NO. | DESCRIPTION |
| | | 347805 | Frame Group |
| 1 | 1 | 670931 | Seal |
| 2 | 1 | 347804 | Faceplate |
| 3 | 1 | 678381 | Baseplate |
| 4 | 8 | 675007 | Bushing |
| 5 | 1 | 672830 | Bearing Assembly |
| 6 | 13 | 643539 | Capscrew, .50 x 1.75 |
| 7 | 11 | 643538 | Capscrew, .50 x 1.50 |
| 8 | 1 | 795492 | Drive Group ● |
| 9 | 1 | 605761 | Fitting, 8-8 |
| 10 | 1 | 601250 | Fitting, 8-8 |
| 11 | 1 | 601377 | Fitting, 8-8 |
| 12 | 4 | 661742 | Capscrew, .50 x 1.25 |
| 13 | 17 | 6290 | Lockwasher |
| 14 | 1 | 6605 | Plug |
| 15 | 24 | 4507 | Capscrew, .50 x 1.75 |
| 16 | 1 | 7401 | Grease Fitting |
| 17 | 4 | 631385 | Plug |
| | 1 | 672842 | Bearing Service Kit (items 5 and 15) |

● See Drive Group page for parts breakdown.

Reference: Common Parts Group 675069.

Drive Group



| REF | QTY | PART NO. | DESCRIPTION | REF | QTY | PART NO. | DESCRIPTION |
|-----|-----|----------|---------------------------------|-----|-----|----------|---------------------------------------|
| | | 795492 | Drive Group with 2.8 c.i. Motor | 19 | 1 | 206392 | Drive Motor – 2.8 c.i. ■ |
| 1 | 6 | 769570 | Capscrew, M12 x 25 | 20 | 1 | 3014870 | Seal |
| 2 | 1 | 676855 | Cover | 21 | 1 | 6033892 | Bearing ★ |
| 3 | 1 | 604510 | Fitting, 6 | 22 | 1 | 675609 | Worm Gear |
| 4 | ● | 670574 | Shim – .010" (brown) | 23 | 1 | 670581 | Bearing |
| 5 | ● | 671757 | Shim – .015" (pink) | 24 | 1 | 7214 | Snap Ring |
| 6 | ● | 671758 | Shim – .020" (yellow) | 25 | 1 | 643423 | O-Ring |
| 7 | 2 | 670579 | Bearing | 26 | 1 | 775552 | Cover |
| 8 | 1 | 670582 | Key | 27 | 1 | 783609 | Seal |
| 9 | 1 | 670556 | Pinion | 28 | 1 | 783608 | Capscrew, M12 x 16 |
| 10 | 1 | 775551 | Housing | 29 | 4 | 200882 | Capscrew, M8 x 20 |
| 11 | 1 | 686465 | Gasket | 30 | 1 | 644010 | Relief Fitting |
| 12 | 1 | 675608 | Worm | 31 | 4 | 4468 | Capscrew, 3/8 x .75 |
| 13 | 1 | 775553 | Adapter | 32 | 4 | 221494 | Washer, M8 |
| 14 | 2 | 2705 | O-Ring | 33 | 1 | 6063316 | Check Valve ◆ |
| 15 | 1 | 670549 | Check Valve ◆ | 34 | 1 | 656300 | Gear Box Lube – 48 oz. |
| 16 | 4 | 6444 | Lockwasher | 35 | 1 | 668184 | Sealant |
| 17 | 4 | 607059 | Capscrew, 5/16 x 1.75 | | | 670578 | Shim Service Kit (items 4-6,11,25,35) |
| 18 | 1 | 670575 | Gasket | | | 212919 | Motor Kit–2.2 (items 11,14,18,19,35) |

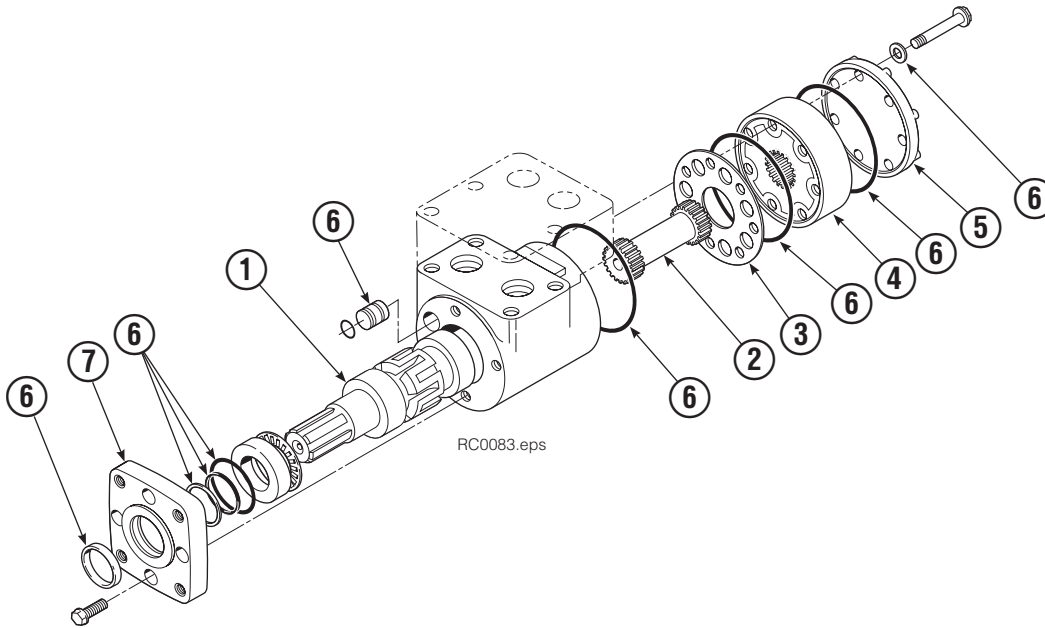
● Quantity as required.

◆ See Valve page for parts breakdown.

■ See Drive Motor page for parts breakdown.

★ For service replacement use Bearing 670580.

Drive Motor



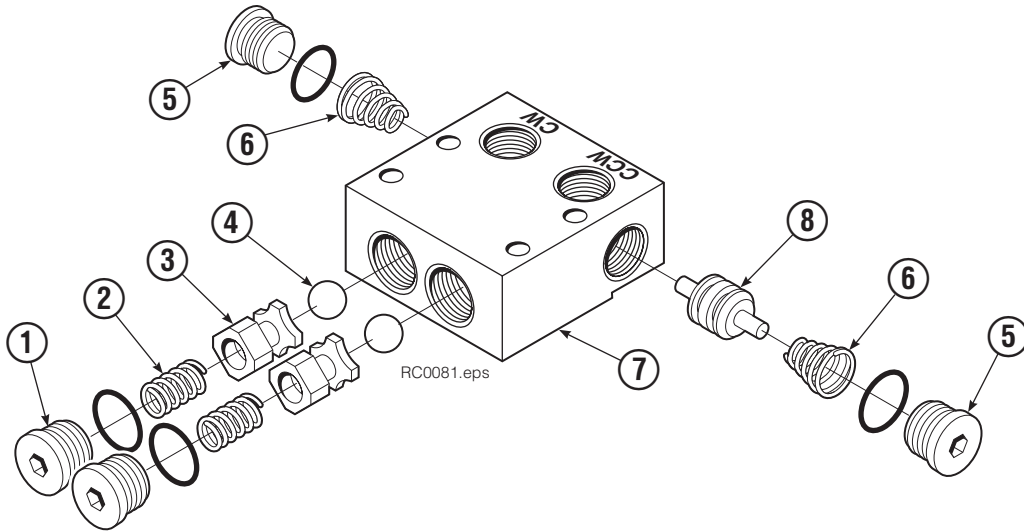
| REF | QTY | PART NO. | DESCRIPTION |
|-----|-----|----------|------------------------------|
| | | 206392 | Drive Motor – 2.8 c.i. |
| 1 | 1 | 675478 | Shaft |
| 2 | 1 | 675477 | Drive |
| 3 | 1 | 675479 | Spacer Plate |
| 4 | 1 | 675480 | Gerotor Set (101-1768-007) ■ |
| | 1 | 685075 | Gerotor Set (101-1768-009) ■ |
| 5 | 1 | 675482 | End Cap |
| 6 | 1 | 206405 | Service Kit ● |
| 7 | 1 | 685089 | Flange (101-1768-007) ■ |
| | 1 | 685090 | Flange (101-1768-009) ■ |

Cascade provides service replacement parts for the listed parts only. Due to cost, if other parts need replacement, the complete drive motor should be replaced.

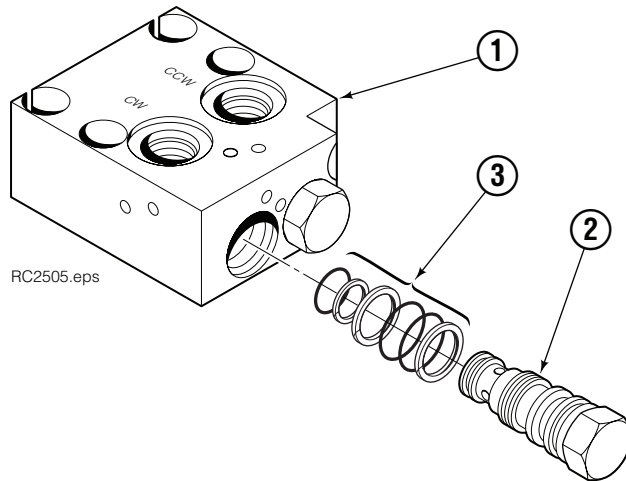
■ See Nameplate under valve for correct part number of Gerotor Set and Flange.

● Compatible with water glycol based hydraulic fluids.

Check Valve

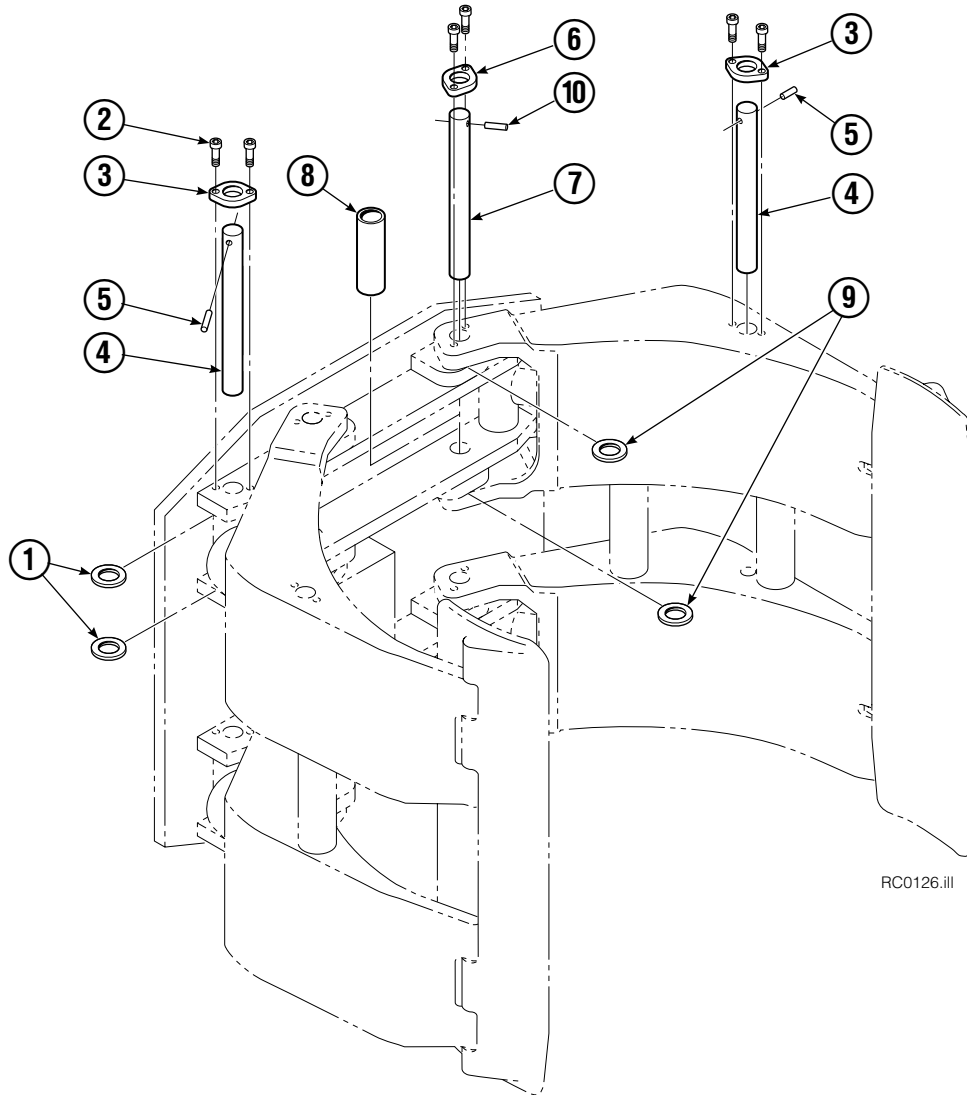


| REF | QTY | PART NO. | DESCRIPTION |
|-----|-----|----------|----------------------|
| | | 670549 | Check Valve Assembly |
| 1 | 2 | 609453 | Fitting, 10 |
| 2 | 2 | 670552 | Spring |
| 3 | 2 | 670551 | Guide |
| 4 | 2 | 7020 | Ball |
| 5 | 2 | 602580 | Fitting, 8 |
| 6 | 2 | 673989 | Spring |
| 7 | 1 | 670550 | Body |
| 8 | 1 | 670553 | Spool |



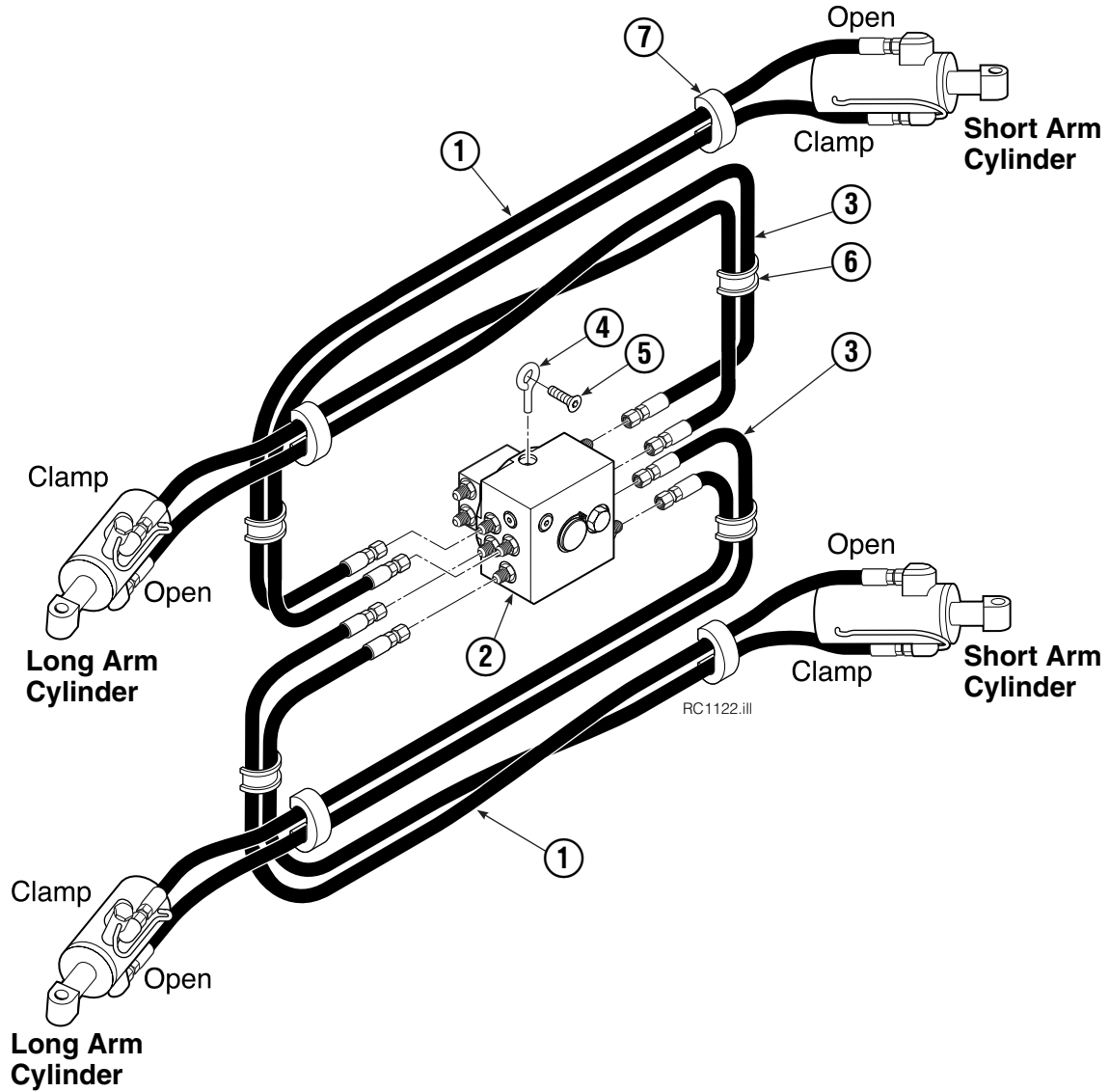
| REF | QTY | PART NO. | DESCRIPTION |
|-----|-----|----------|----------------------|
| | | 6063316 | Check Valve Assembly |
| 1 | 1 | 6063282 | Valve Body |
| 2 | 2 | 6038929 | Check Valve – PO |
| 3 | 2 | 667516 | Service Kit |

Common Components Group



| 77F | | | |
|-----|-----|----------|----------------------------|
| REF | QTY | PART NO. | DESCRIPTION |
| | | 680637 | Components Group |
| 1 | 8 | 660200 | Shim |
| 2 | 24 | 4466 | Capscrew, 3/8 NC x .50 GR8 |
| 3 | 8 | 674828 | Retainer |
| 4 | 8 | 680651 | Pin |
| 5 | 8 | 673385 | Drive Pin |
| 6 | 4 | 674830 | Retainer |
| 7 | 4 | 675022 | Pin |
| 8 | 4 | 681673 | Spacer |
| 9 | 16 | 673379 | Shim |
| 10 | 4 | 675086 | Drive Pin |

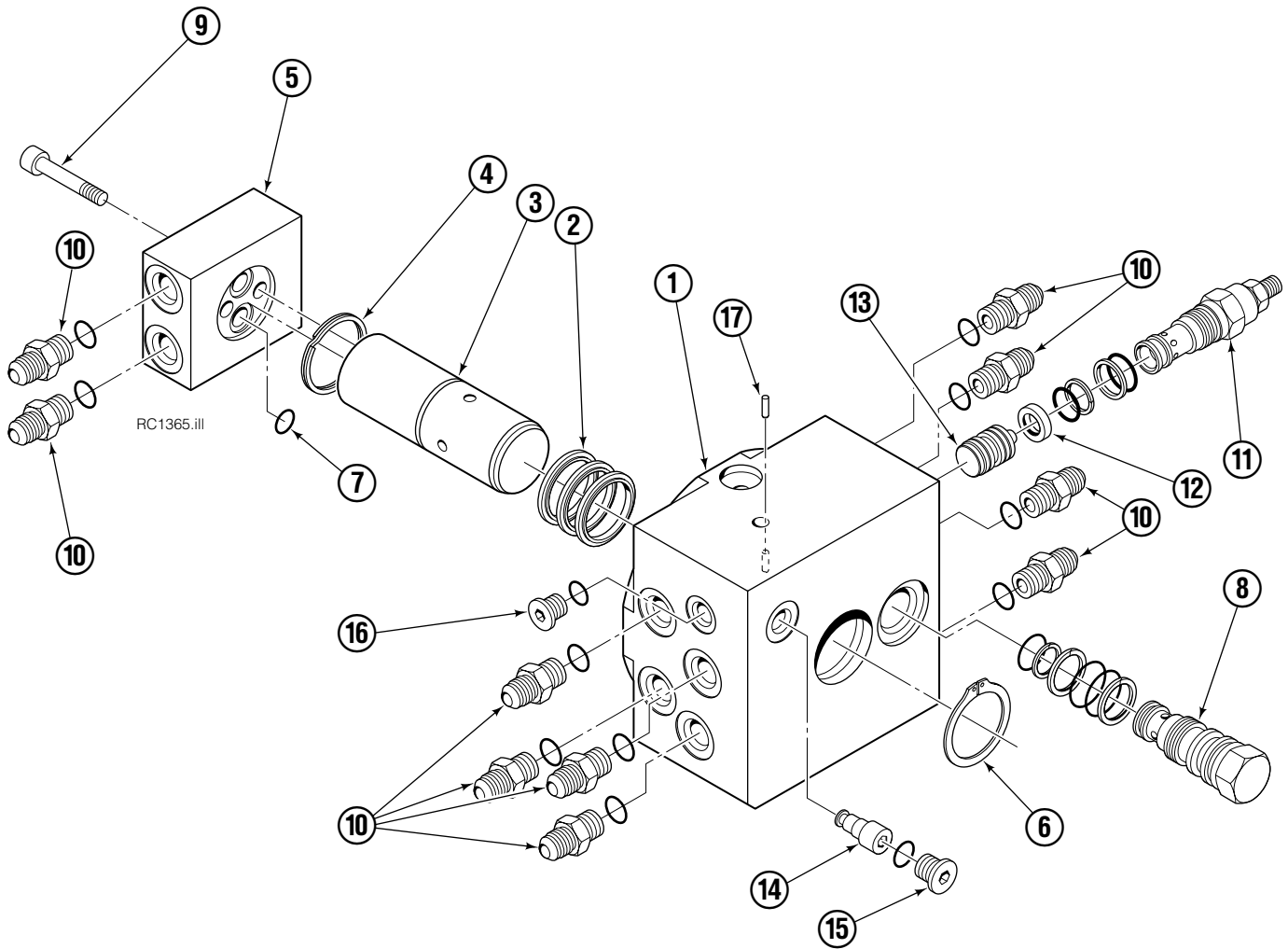
Hosing Group



| 77F | | | |
|-----|-----|----------|------------------------|
| REF | QTY | PART NO. | DESCRIPTION |
| | | 6026316 | Hosing Group |
| 1 | 4 | 680238 | Hose, 58.75 in. |
| 2 | 1 | 6025982 | Revolving Connection ▲ |
| 3 | 4 | 681231 | Hose, 53.00 in. |
| 4 | 2 | 227962 | Eye Pin |
| 5 | 2 | 4751 | Capscrew, M10 x 25 |
| 6 | 4 | 680114 | Insert |
| 7 | 4 | 673417 | Segment |

▲ See Revolving Connection page for parts breakdown.

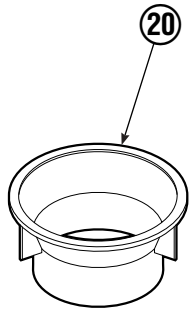
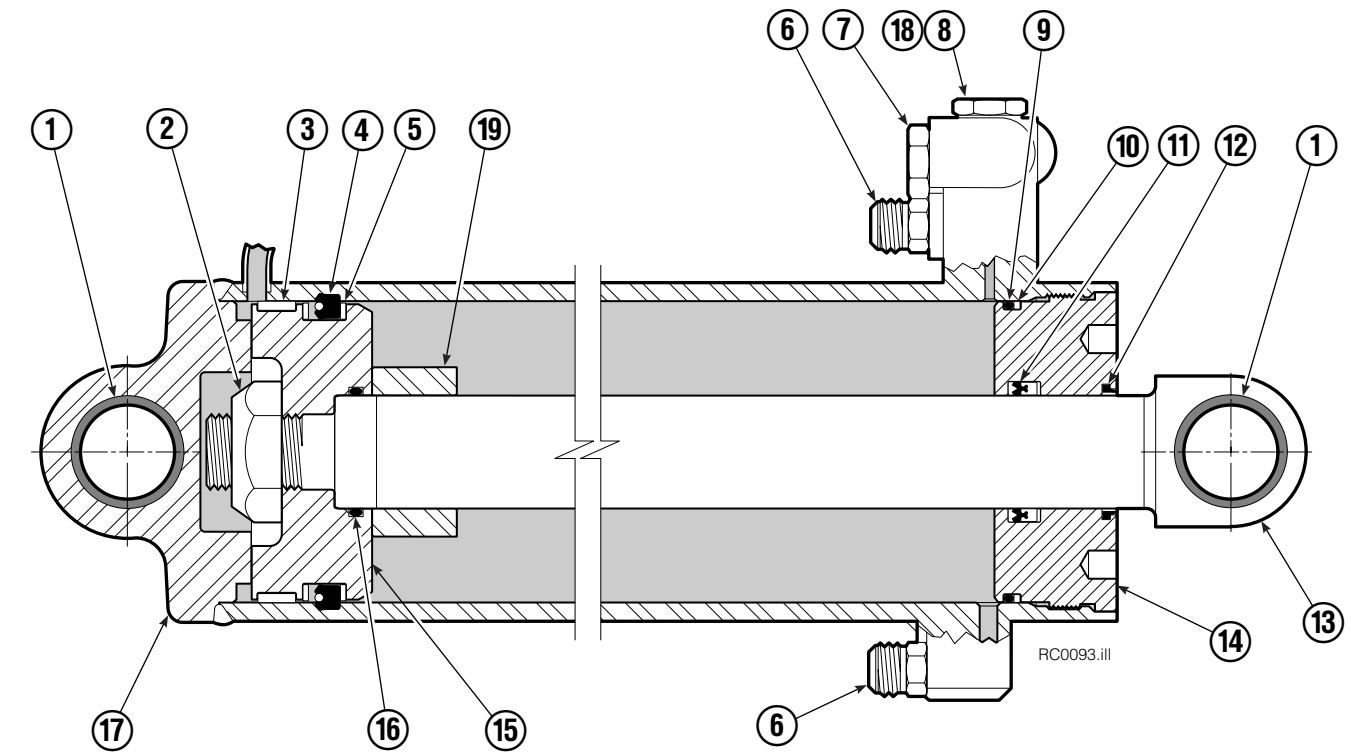
Revolving Connection



| 77F | | | | | | | |
|-----|-----|----------|------------------------|-----|-----|----------|---------------------|
| REF | QTY | PART NO. | DESCRIPTION | REF | QTY | PART NO. | DESCRIPTION |
| | | 6025982 | Revolving Connection | 9 | 2 | 768798 | ◆ Capscrew, M8 x 45 |
| 1 | 1 | 6025914 | Body | 10 | 10 | 604511 | Fitting, 6-6 |
| 2 | 3 | 214649 | ◆ Seal | 11 | 1 | 227331 | Sequence Valve |
| 3 | 1 | 6023274 | Shaft | 12 | 1 | 227318 | ◆ Quad Ring |
| 4 | 1 | 7341 | ◆ Retaining Ring | 13 | 1 | 227320 | Spool |
| 5 | 1 | 6023344 | End Block | 14 | 1 | 220865 | Shuttle Check |
| 6 | 1 | 3138 | ◆ Retaining Ring | 15 | 1 | 609234 | Fitting |
| 7 | 2 | 684587 | ◆ O-ring | 16 | 1 | 663694 | Fitting |
| 8 | 1 | 6024293 | Flow Divider Cartridge | 17 | 1 | 6020466 | Pin Restrictor |

◆ Included in Seal Kit 6025987.

Short Arm Cylinder

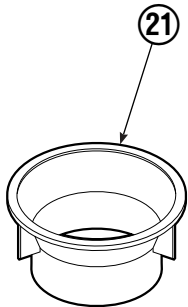
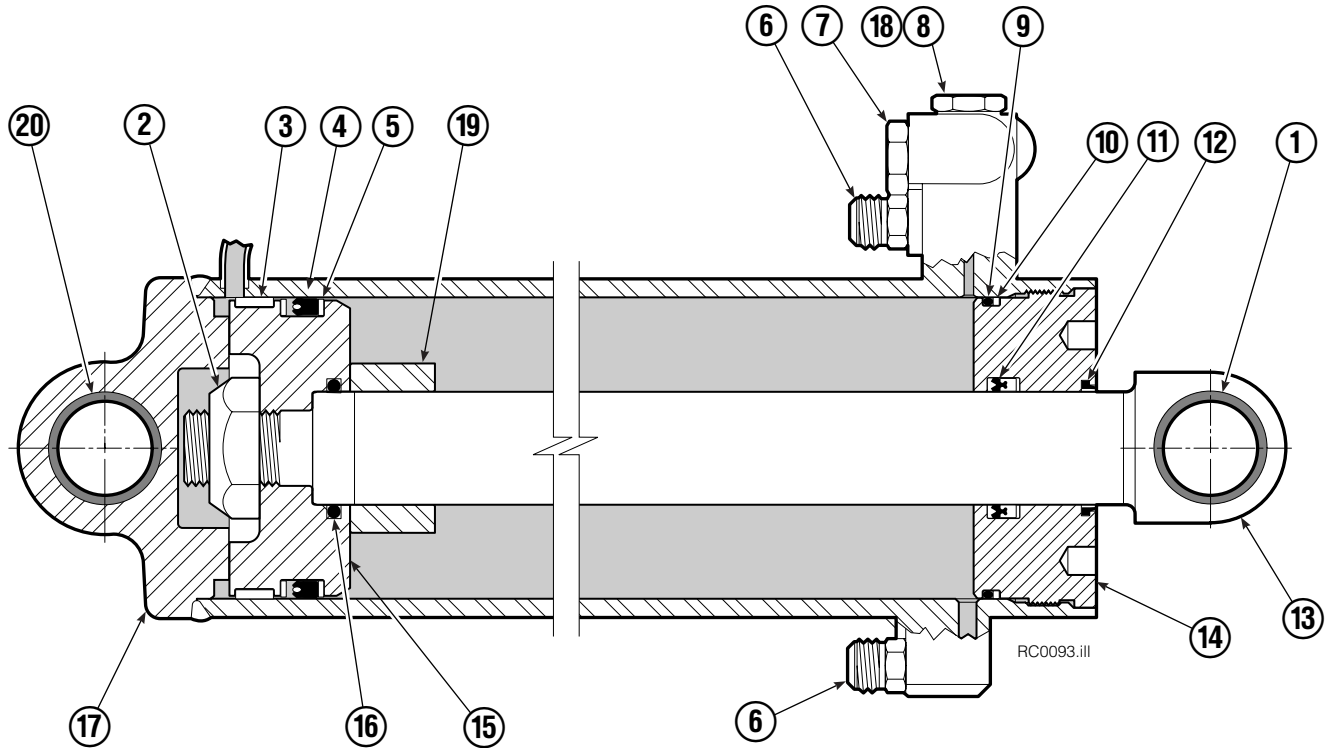


| REF | QTY | PART NO. | DESCRIPTION |
|-----|-----|----------|-------------------------|
| | | 557369 | Cylinder Assembly |
| 1 | 3 | 674843 | Bearing |
| 2 | 1 | 667990 | Nut |
| 3 | 1 | 660769 | ◆ Bearing |
| 4 | 1 | 557446 | ◆ Seal |
| 5 | 2 | 638295 | ◆ Back-Up Ring |
| 6 | 2 | 604511 | Fitting, 6-6 |
| 7 | 1 | 556852 | Fitting, 4 |
| 8 | 1 | 557212 | Check Valve |
| 9 | 1 | 2801 | ◆ O-Ring |
| 10 | 1 | 615144 | ◆ Back-Up Ring |
| 11 | 1 | 554598 | ◆ Seal |
| 12 | 1 | 628047 | ◆ Wiper |
| 13 | 1 | 557398 | Rod |
| 14 | 1 | 555724 | Retainer |
| 15 | 1 | 557389 | Piston |
| 16 | 1 | 2722 | ◆ O-Ring |
| 17 | 1 | 557174 | Shell |
| 18 | 1 | 667516 | Check Valve Service Kit |
| 19 | 1 | — | Spacer |
| 20 | 1 | 672910 | Seal Loader |
| | | 555725 | Service Kit |

◆ Included in Service Kit 555725.

Reference: S-5313, S-5314

Long Arm Cylinder

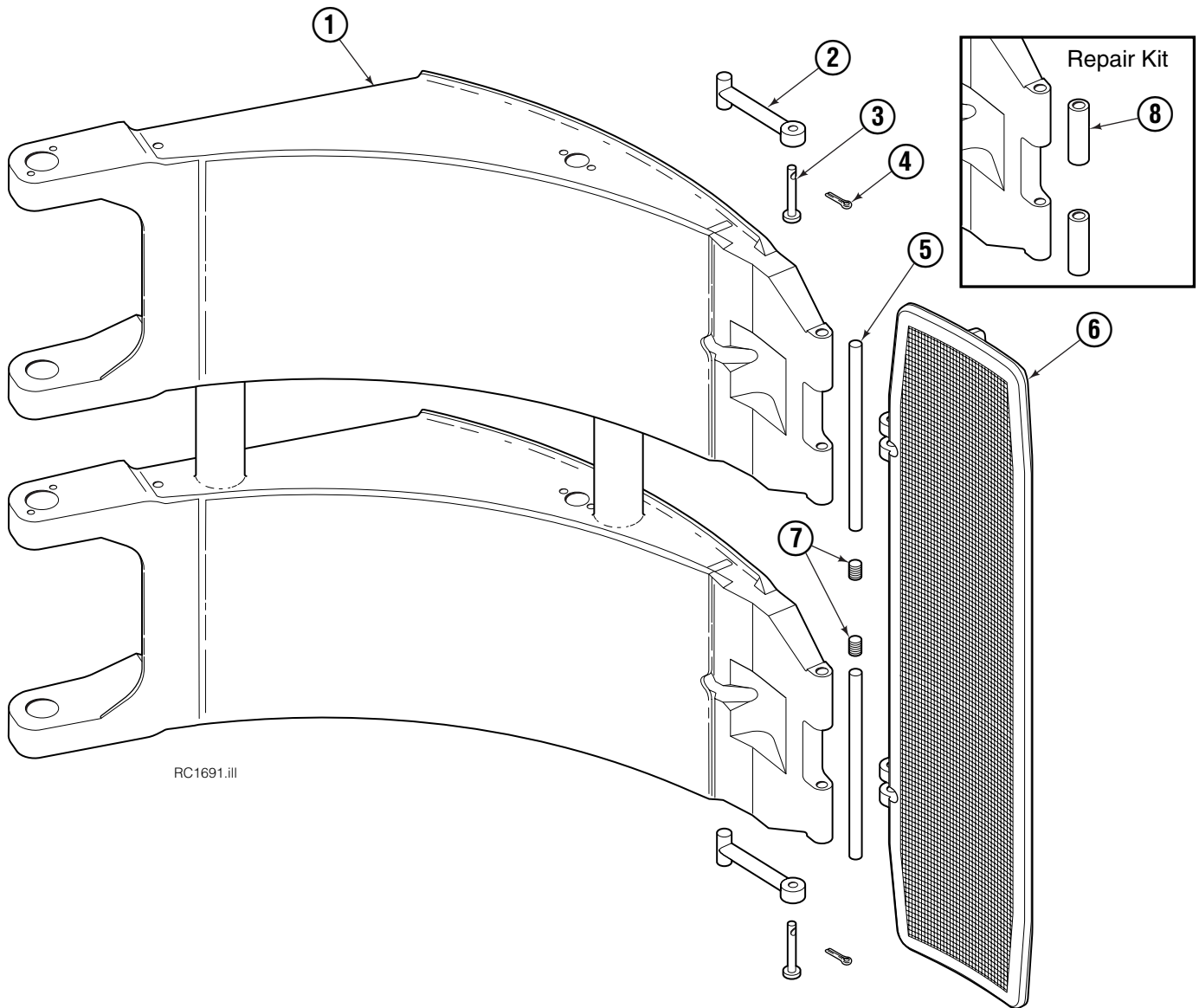


| REF | QTY | PART NO. | DESCRIPTION |
|-----|-----|----------|-------------------------|
| | | 557388 | Cylinder Assembly |
| 1 | 1 | 674843 | Bearing |
| 2 | 1 | 667990 | Nut |
| 3 | 1 | 660769 | ◆ Bearing |
| 4 | 1 | 557446 | ◆ Seal |
| 5 | 2 | 638295 | ◆ Back-Up Ring |
| 6 | 2 | 604511 | Fitting, 6-6 |
| 7 | 1 | 556852 | Fitting, 4 |
| 8 | 1 | 557212 | Check Valve |
| 9 | 1 | 2801 | ◆ O-Ring |
| 10 | 1 | 615144 | ◆ Back-Up Ring |
| 11 | 1 | 554598 | ◆ Seal |
| 12 | 1 | 628047 | ◆ Wiper |
| 13 | 1 | 557406 | Rod |
| 14 | 1 | 555724 | Retainer |
| 15 | 1 | 557389 | Piston |
| 16 | 1 | 2722 | ◆ O-Ring |
| 17 | 1 | 557223 | Shell |
| 18 | 1 | 667516 | Check Valve Service Kit |
| 19 | 1 | — | Spacer |
| 20 | 2 | 674843 | Bearing |
| 21 | 1 | 672910 | Seal Loader |
| | | 555725 | Service Kit |

◆ Included in Service Kit 555225.

Reference: S-5320

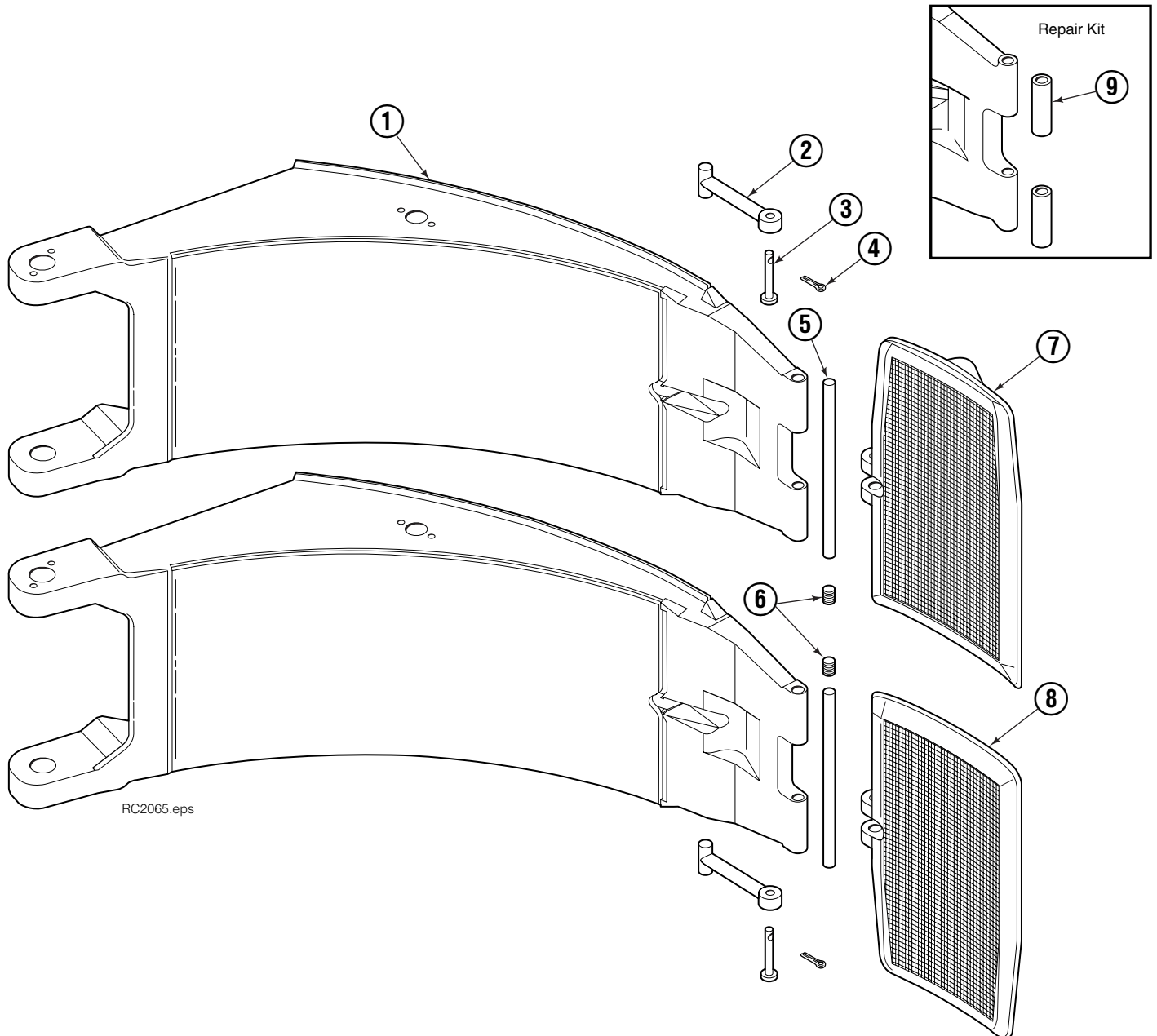
Contact Pad Group - Short Arm



| 77F | | | |
|-----|-----|----------|---------------------|
| REF | QTY | PART NO. | DESCRIPTION |
| | | 6056469 | Contact Pad Group ▲ |
| 1 | 1 | 377782 | Short Arm |
| 2 | 2 | 674994 | Link |
| 3 | 2 | 682978 | Clevis Pin |
| 4 | 2 | 6525 | Cotter Pin |
| 5 | 2 | 363823 | Pin |
| 6 | 1 | 6056470 | Contact Pad – RXH |
| 7 | 4 | 201102 | Plug |
| 8 | 1 | 676810 | Arm Tip Repair Kit |

▲ Includes items 2 – 7 only.

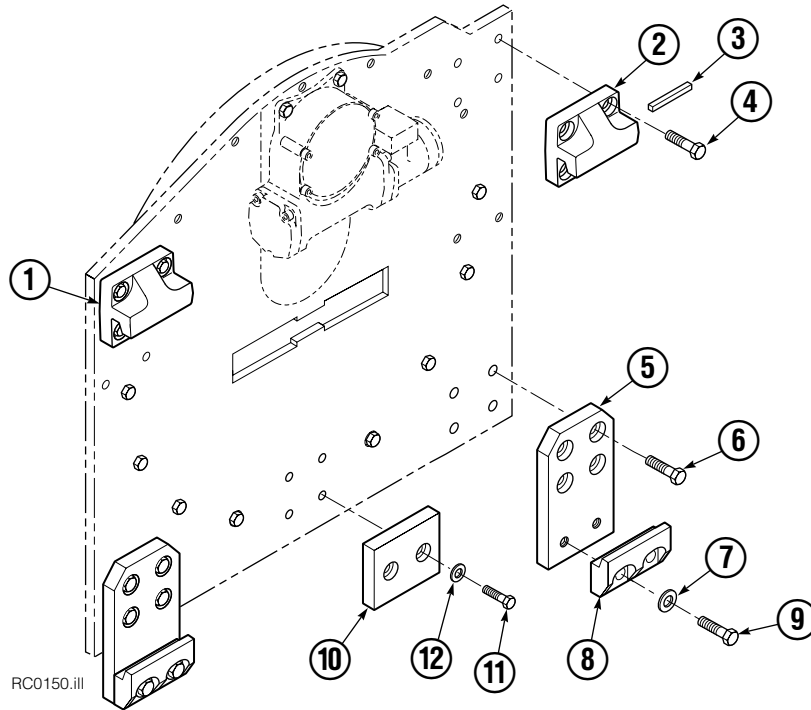
Contact Pad Group - Split Long Arm



| 77F | | | | | | | |
|-----|-----|----------|---------------------|-----|-----|----------|--------------------|
| REF | QTY | PART NO. | DESCRIPTION | REF | QTY | PART NO. | DESCRIPTION |
| | | 6056491 | Contact Pad Group ▲ | 5 | 2 | 353497 | Pin |
| 1 | 2 | 377708 | Long Arm | 6 | 4 | 201102 | Plug |
| 2 | 2 | 674994 | Link | 7 | 1 | 6056496 | Contact Pad - RXH |
| 3 | 2 | 682978 | Clevis Pin | 8 | 1 | 6056492 | Contact Pad - RXH |
| 4 | 2 | 6525 | Cotter Pin | 9 | 1 | 676810 | Arm Tip Repair Kit |

▲ Includes items 2 – 8 only.

Bolt-On Mounting Group



| Class IV, 0° | | | |
|--------------|-----|----------|-------------------------|
| REF | QTY | PART NO. | DESCRIPTION |
| | | 678504 | Mounting Group |
| 1 | 1 | 675062 | Upper Hook – LH |
| 2 | 1 | 675061 | Upper Hook – RH |
| 3 | 1 | 670704 | Stop Kit |
| 4 | 8 | 675078 | Capscrew, 3/4 NC x 1.50 |
| 5 | 2 | 675082 | Extension |
| 6 | 8 | 673387 | Capscrew, 5/8 NC x 1.75 |
| 7 | 4 | 670692 | Washer |
| 8 | 2 | 679832 | Lower Hook |
| 9 | 4 | 675079 | Capscrew, 3/4 NC x 2.00 |
| 10 | 1 | 675081 | Center Spacer |
| 11 | 2 | 4472 | Capscrew, 3/8 NC x 1.50 |
| 12 | 2 | 6372 | Lockwasher, 3/8 in. ID |

Do you have questions you need answered right now? Call your nearest Cascade Parts Department. Visit us online at www.cascorp.com

**Cascade Corporation
U.S. Headquarters**
2201 NE 201st
Fairview, OR 97024-9718
Tel: 800-CASCADE (227-2233)
FAX: 888-329-8207

Cascade Canada Inc.
5570 Timberlea Blvd.
Mississauga, Ontario
Canada L4W-4M6
Tel: 905-629-7777
FAX: 905-629-7785

Cascade GmbH
Niederwippekühl 1
58579 Schalksmühle
Germany
Tel: 02355-50900
FAX: 02355-509020

Cascade Finland
A. Petreliuksenkatu 3
01370 Vantaa
Finland
Tel: 09-8361925
FAX: 09-8361935

**Cascade N.V.
Benelux Sales and Service**
Damsluisweg 56
PO Box 3009
1300 El Almere
The Netherlands
Tel: 036-5492950
FAX: 036-5492974

Cascade (UK) Ltd.
Unit 4, 12 O'Clock Court
Attercliffe Road
Sheffield, S4 7WW
England
Tel: 0870-850-8756
FAX: 0870-850-8757

**Sales Scotland
Macade Systems Ltd.**
18 Melford Road
Righead Ind. Estate
Bellshill ML4 3LR
Scotland
Tel: 01698-845777
FAX: 01698-845888

Cascade (Africa) Pty. Ltd.
PO Box 625, Isando 1600
60A Steel Road
Sparton, Kempton Park
South Africa
Tel: 27-11-975-9240
FAX: 27-11-394-1147

Cascade Scandinavia AB
Hammarvägen 10
PO Box 124
S-56723 Vaggeryd
Sweden
Tel: 039-336950
FAX: 039-336959

**Cascade France
S.A.R.L. MHP**
1D Rue De Charaintru BP 18,
91360 Epinay-Sur-Orge
France
Tel: 01-6454-7500
FAX: 01-6454-7501

Cascade Hispania S.A.
Carrer 5, Sector C
Zona Franca Duanera
Poligono de la Zona Franca
08040 Barcelona, Spain
Tel: 93-264-07-30
FAX: 93-264-07-31

Cascade Italia S.R.L.
Via Dell'Artigianato 1
37050 Vago di Lavagno (VR)
Italy
Tel: 39-045-8989111
FAX: 39-045-8989160

Movimenta Lda.
Parque Industrial
Vale do Alecrim, Lote 108
2950-403 Palmela
Portugal
Tel: 351-212387340
FAX: 351-212387349

**Sales Switzerland
Fahrzeugbedarf**
8810, Horgen
Switzerland
Tel: 01-7279797
FAX: 01-7279798

Sales Poland
Targowa 35/61
03-728 Warszawa
Tel: 022-619 00 49
FAX: 022-619 00 49
Mobile Tel: 0501-27 29 55

Sales Russia
EMCG Material Handling
Equipment
Moscow
Tel: 095-795-2400
FAX: 095-795-2475
Email: emcg@emcg.ru

Cascade Japan Ltd.
5-5-41,
Torikai Kami
Settsu, Osaka
Japan, 566
Tel: 81-726-53-3490
FAX: 81-726-53-3497

Cascade Korea
121B 9L Namdong Ind.
Complex, 691-8 Gojan-Dong
Namdong-Ku
Inchon, 405-310 Korea
Tel: 82-32-821-2051
FAX: 82-32-821-2055

Cascade Australia
1445 Ipswich Road
Rocklea, QLD 4107
Australia
Tel: 1-800-227-223
FAX: 617-3373-7333

Cascade New Zealand
15 Ra Ora Drive
East Tamaki, Auckland
New Zealand
Tel: 64-9-273-9136
FAX: 64-9-273-9137

Cascade-Xiamen
No. 668 Yangguang Rd.
Xinyang Industrial Zone
Haicang, Xiamen City
Fujian Province
P.R. China 361026
Tel: 86-592-651-2500
FAX: 86-592-651-2571

**Sunstream Industries
Pte Ltd.**
No. 3 Tuas Link 1
2263
Singapore
Tel: 65-6863-3488
FAX: 65-6863-1368

**Cascade do Brasil
Distribuidora de Garras
e Garfos LTDA**
Av. General Valdomiro
de Lima 43
Jabaquara - Sao Paulo - S.P.
Brasil CEP 04344-070
Tel: 55-11-5016-2484
Fax: 55-11-5013-2809

