



Parts Manual

Model Integral Fork Positioner

Serial Number 150J-IFS-F200R0

cascade[®]
corporation

For Technical Assistance call: 800-227-2233, Fax: 888-329-8207

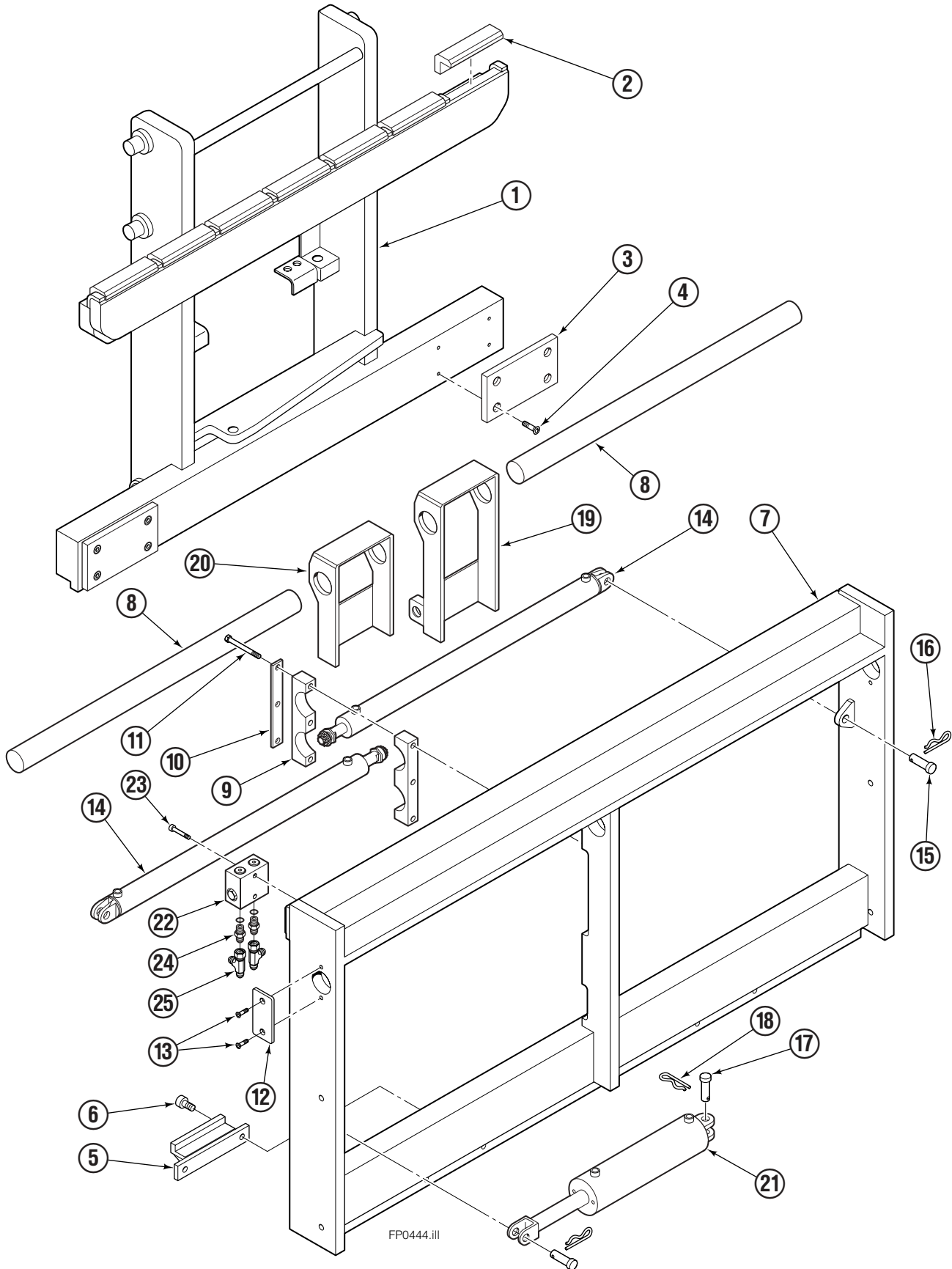
To Order Parts call: 888-227-2233, Fax: 888-329-0234

OR

Write: Cascade Corporation, P.O. Box 20187, Portland, OR 97220

Internet: www.cascorp.com

Carriage Assembly

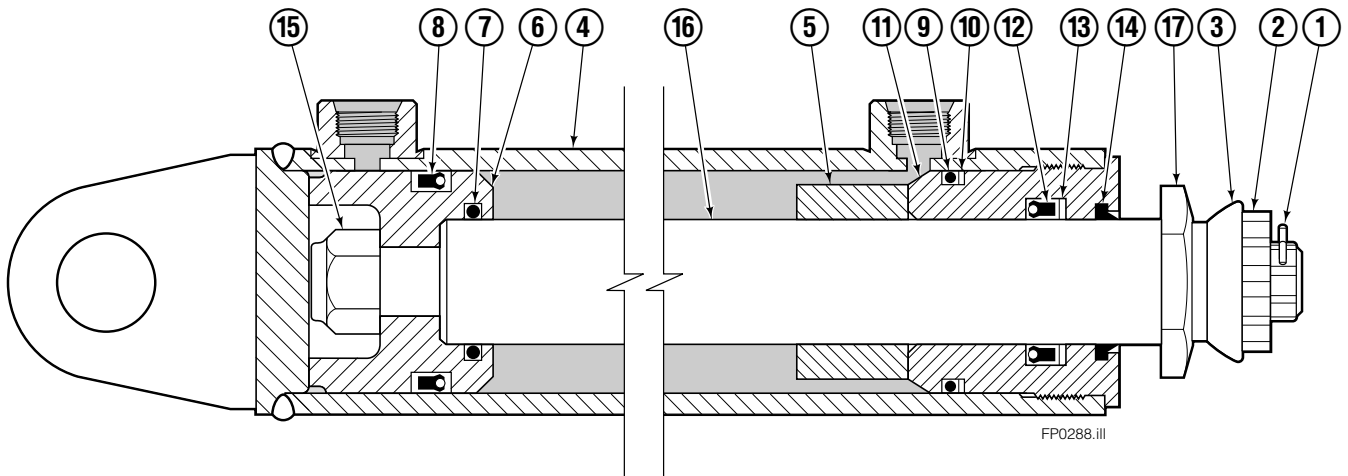


Carriage Assembly

150J			
REF	QTY	PART NO.	DESCRIPTION
		6102802	Carriage Assembly
1	1	6101676	Carriage
2	7	3012106	Upper Bearing
3	2	3013187	Lower Bearing
4	8	766646	Capscrew, M10 x 20
5	2	6012723	▲ Lower Retainer
6	4	769575	▲ Capscrew, M16 x 40
7	1	6100611	Frame
8	2	6011888	Shaft
9	2	3014343	Cylinder Clamp
10	1	3014344	Clamp Support
11	3	684800	Capscrew, M12 x 100
12	2	3012749	Retainer
13	4	768706	Capscrew, M12 x 35
14	2	6011545	Cylinder ◆
15	2	678528	Clevis Pin
16	2	672726	Cotter Pin
17	2	686215	Clevis Pin
18	2	686217	Cotter Pin
19	1	6011934	Fork Carrier – LH
20	1	6011900	Fork Carrier – RH
21	1	6003547	Cylinder ◆
22	1	6104570	● Cross-Over Relief Valve
23	2	768798	● Capscrew, M8 x 45
24	2	626505	● Fitting, 6-6
25	2	611329	● Fitting, 6-6
26	1	6101270	Hydraulic Group ■
27	1	6101653	Component Group ■

- ◆ See Cylinder page for parts breakdown.
- ▲ Included in Frame Retainer Assembly 6012727.
- Included in Valve Group 6104569.
- See specific page for parts breakdown.

Cylinder

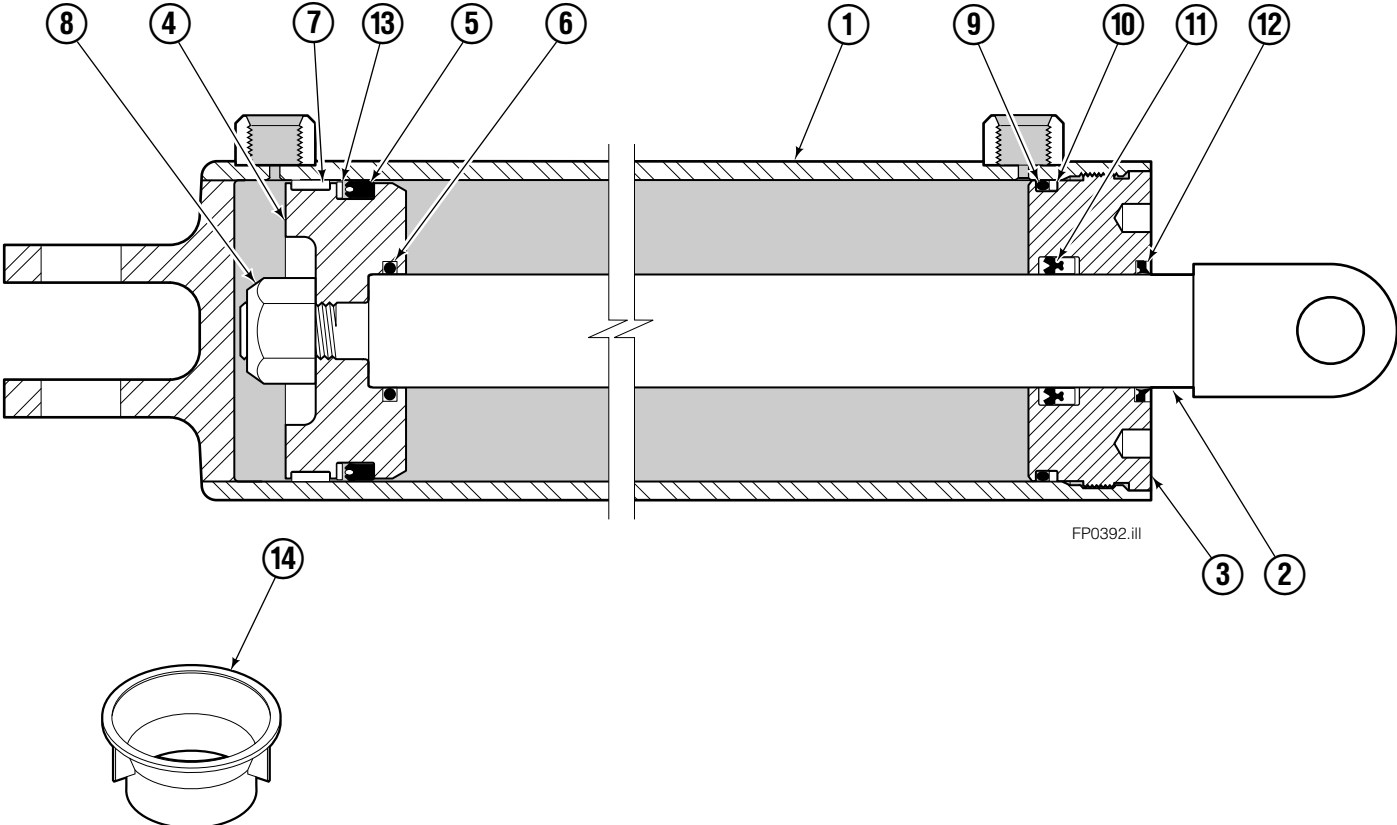


150J			
REF	QTY	PART NO.	DESCRIPTION
		6011545	Cylinder Assembly
1	2	6510	Cotter Pin
2	2	667624	Nut Retainer
3	2	667625	Nut
4	1	6011548	Shell
5	1	6011552	Spacer
6	1	558200	Piston
7	1	2716	▲ O-Ring
8	1	662452	▲ Seal
9	1	2785	▲ O-Ring
10	1	615128	▲ Back-Up Ring
11	1	563906	Retainer
12	1	662448	▲ Seal
13	1	638243	▲ Nylon Ring
14	1	636853	▲ Wiper
15	1	667623	Nut
16	1	6011549	Rod
17	1	667626	Washer
	1	671047	▲ Seal Loader, Piston
	1	671051	▲ Seal Loader, Retainer
		668021	Service Kit

▲ Included in Service Kit 668021.

Reference: S-20040, S-20101.

Sideshift Cylinder

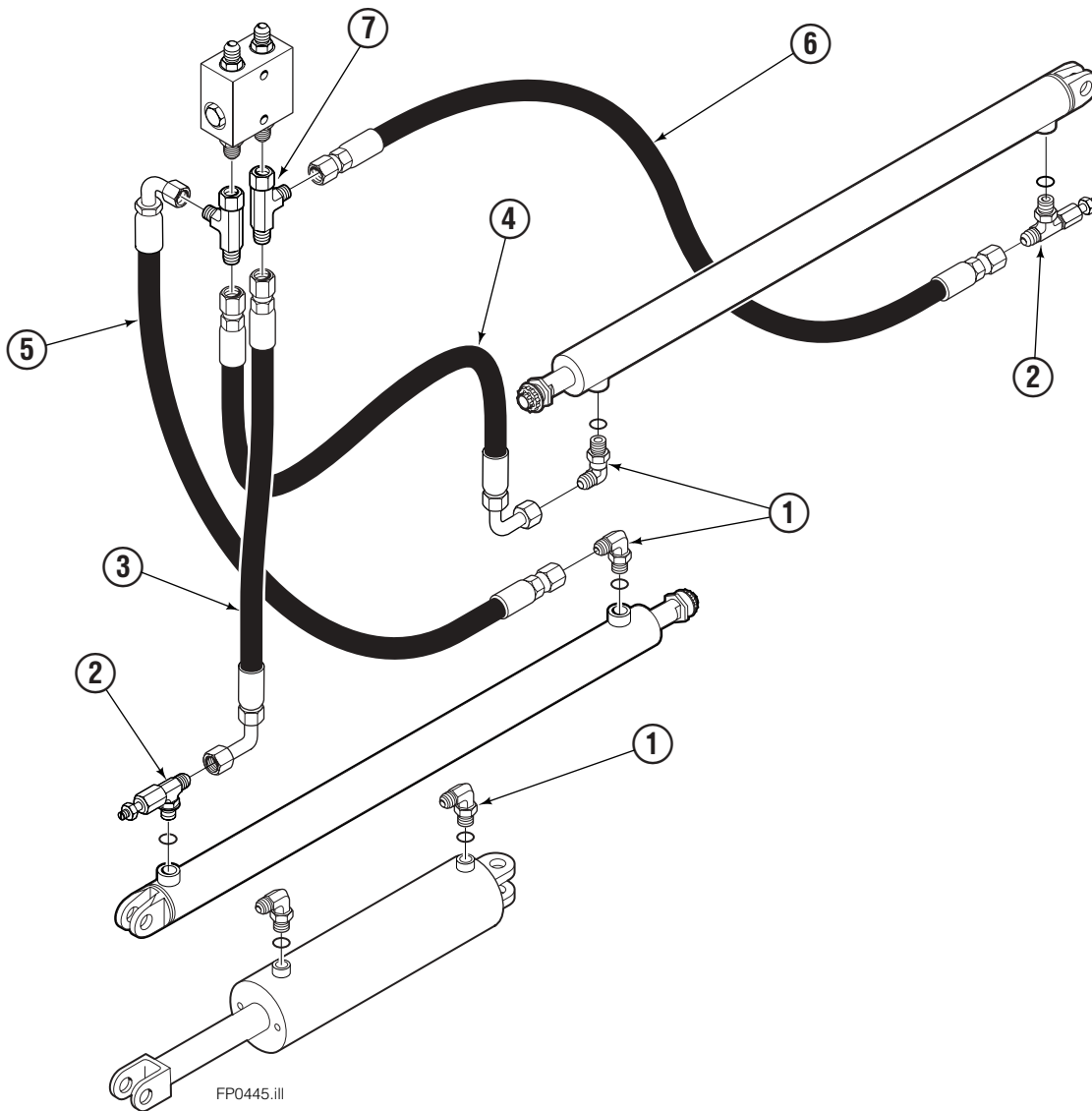


FP0392.iii

REF	QTY	PART NO.	DESCRIPTION
		6003547	Cylinder Assembly
1	1	6003548	Shell
2	1	6003549	Rod
3	1	555207	Retainer
4	1	555226	Piston
5	1	662460	◆ Seal
6	1	2722	◆ O-Ring
7	1	660767	◆ Bearing
8	1	560997	Nut
9	1	2797	◆ O-Ring
10	1	615140	◆ Back-Up Ring
11	1	554598	◆ Seal
12	1	564930	◆ Wiper
13	2	638293	◆ Back-Up Ring
14	1	672909	Seal Loader
		555227	Service Kit

◆ Included in Service Kit 555227.

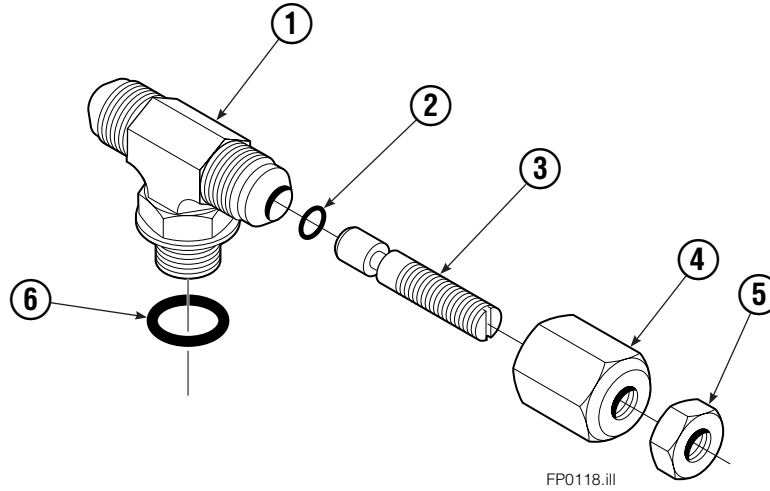
Hydraulic Group



150J			
REF	QTY	PART NO.	DESCRIPTION
		6101270	Hydraulic Group
1	4	601676	Fitting, 6-6
2	2	617487	Restrictor Fitting ◆
3	1	6101233	Hose, 13.25 in.
4	1	6010447	Hose, 43 in.
5	1	6012258	Hose, 47 in.
6	1	3009235	Hose, 66 in.
7	2	611329	Fitting, 6-6

◆ See Restrictor Fitting page for parts breakdown.

Restrictor Fitting



FP0118.ill

REF	QTY	PART NO.	DESCRIPTION
		617487	Restrictor Assembly
1	1	617486	Tee
2	1	2698	O-Ring
3	1	11100	Setscrew
4	1	11099	Cap
5	1	5715	Jam Nut
6	1	2840	O-Ring

IMF : -		6101653		R-0	
HYSTER L346942: P/N QTY 1333648 6 126765 AR 187489 6 1331992 2 1307395 2 15222 2 343946 2 293723 4 366116 2		DESCRIPTION LOAD ROLLER SHIM SNAP RING - EXT CHAIN ANCHOR PIN - CHAIN ANCHOR HCE-561 PIN .125 X .750 IN WASHER SET - SPHERICAL HCE-1017 NUT M24x3 SPACER			
ASSEMBLY NOTE: LOCATE 366116 SPACER BETWEEN 187489 SNAP RING AND 1333648 LOAD ROLLER TOP 2 ROLLERS ONLY					
ECN: 1420568		MATERIAL OPTIONS: LISTED		DRFTR: JWALLIS DATE:1999/07/22	
A RELEASED		-		PE: JWALLIS APPR: -	
		-		WELD APPR	
		-		-	
		SEE CASCADE ENG STANDARDS FOR DRAFTING CONVENTIONS CMC = CASCADE MATL. CODE CPS = CASCADE PROCESS STD. CWS = CASCADE WELD SPEC.		WELD DATE	
		DISTRIBUTION		-	
				WT: - -	
				HYST 1318162/1313806	
				COMPONENT GROUP	
				GEN-AAT	
				6101653	
				R-0	

CASCADE CORPORATION

THIS DRAWING IS THE PROPERTY OF CASCADE AND
CONTAINS CONFIDENTIAL INFORMATION. DO NOT
REPRODUCE OR USE WITHOUT WRITTEN APPROVAL

METRIC

Do you have questions you need answered right now? Call your nearest Cascade Parts Department. Visit us online at www.cascorp.com

Cascade Corporation
2501 Sheridan Avenue
Springfield, OH 45505
Tel: 888-CASCADE (227-2233)
FAX: 888-329-0234

Cascade Canada Inc.
5570 Timberlea Blvd.
Mississauga, Ontario
Canada L4W-4M6
Tel: 905-629-7777
FAX: 905-629-7785

Cascade GmbH
D-41199 Monchengladbach
Klosterhofweg 52
Germany
Tel: 49-216-668230
FAX: 49-216-6682323

Cascade Finland
Albert Petreliuksenkatu 3
01370 Vantaa
Finland
Tel: 358-9-836-1925
FAX: 358-9-836-1935

**Cascade N.V.
European Headquarters**
P.O. Box 3009
1300 El Almere
Damsluisweg 56
1332 ED Almere
The Netherlands
Tel: 31-36-5492911
FAX: 31-36-5492964

**Cascade N.V.
Benelux Sales and Service**
P.O. Box 3009
1300 El Almere
Damsluisweg 56
1332 ED Almere
The Netherlands
Tel: 31-36-5492950
FAX: 31-36-5492974

Cascade (UK) Ltd.
15, Orgreave Crescent
Dore House Industrial Estate
Handsworth
Sheffield S13 9NQ
England
Tel: 742-697524
FAX: 742-695121

Cascade Scandinavia AB
Box 124
Hammarvägen 10
567 23 Vaggeryd
Sweden
Tel: 42-0-393-36950
FAX: 46-0-393-36959

Cascade Norway
Østerliveien 37A
1153 Oslo
Norway
Tel: 47-22-743160
FAX: 47-22-743157

Cascade France S.A.R.L.
1D Rue De Charaintru
BP 18, 91360 Epinay-Sur-Orge
Morangis Cedex, France
Tel: 33-1- 64547500
FAX: 33-1-64547501

Cascade Hispania S.A.
Carrer 5 Sector C
Zona Franca Duanera
Poligono de la Zon Franca
08040 Barcelona, Spain
Office No. 256
Tel: 93-264-07-30
FAX: 93-264-07-31

Cascade Japan Ltd.
5-5-41,
Torikai Kami
Settsu, Osaka
Japan, 566
Tel: 81-726-53-3490
FAX: 81-726-53-3497

Cascade Korea
108B, Namdong Ind Complex
658-3 Gojan-Dong
Namdong-Gu
Inchon, 405-310 Korea
Tel: 82-32-821-2051
FAX: 82-32-821-2055

Cascade Australia
1445 Ipswich Road
Rocklea, QLD 4106
Australia
Tel: 1-800227-223
FAX: (07) 3373-7333

Cascade New Zealand
15 Ra Ora Drive
East Tamaki, Auckland
New Zealand
Tel: 9-273-9136
FAX: 9-273-9137

Cascade (Africa) Pty. Ltd.
P.O. Box 625, Isando 1600
60A Steel Road
Sparton, Kempton Park
South Africa
Tel: 27-11-975-9240
FAX: 27-11-394-1147

Cascade-Xiamen
No. 668 Yangguang Rd.
Xinyang Industrial Zone
Haicang, Xiamen City
Fujian Province
P.R. China 361026
Tel: 86-592-651-2500
FAX: 86-592-651-2571

**Cascade (Singapore)
Trading Co.**
Four Seasons Park
Autumn Block - Apt. 1802
12 Cuscaden Walk
Singapore
Tel: 65-834-1935
FAX: 65-834-1936

