



# Parts Manual

---

Model 44G Turn-A-Load

Serial Number 44G-TAL-015

---

**cascade**<sup>®</sup>  
**corporation**

**For Technical Assistance call:** 800-227-2233, Fax: 888-329-8207

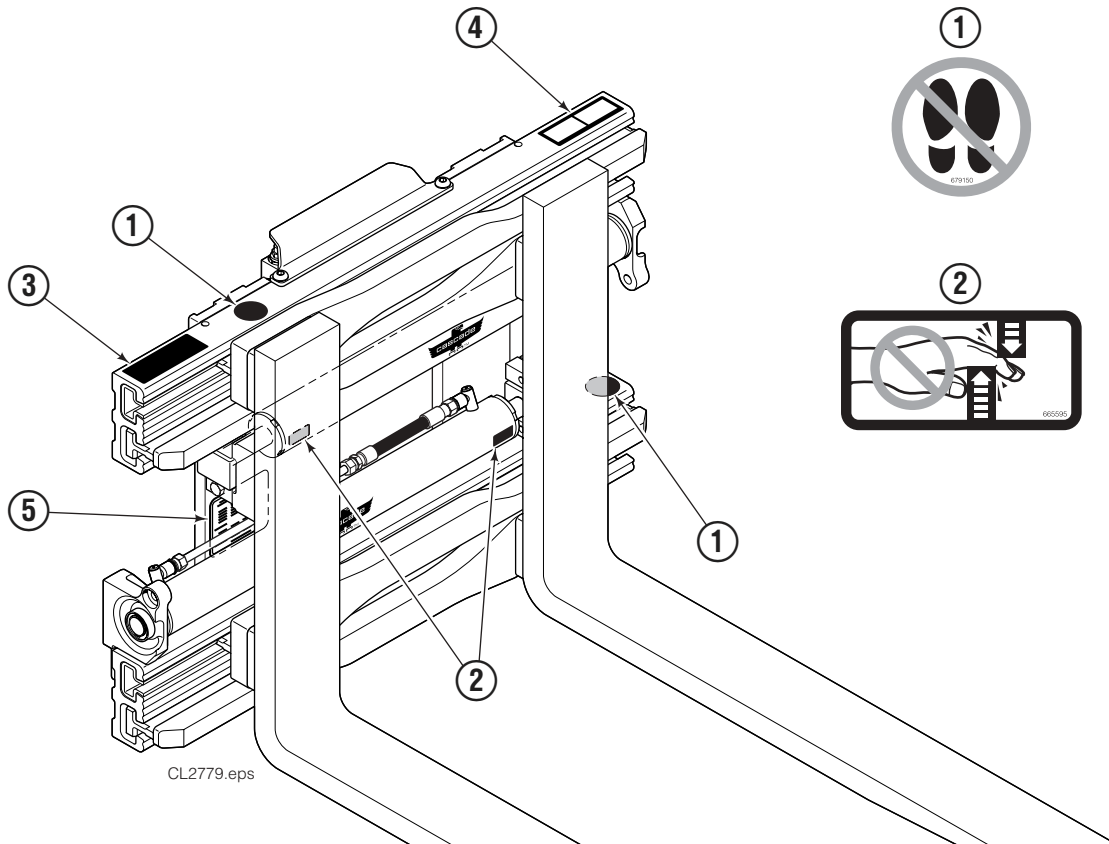
**To Order Parts call:** 888-227-2233, Fax: 888-329-0234

**OR**

**Write:** Cascade Corporation, P.O. Box 20187, Portland, OR 97220

**Internet:** [www.cascorp.com](http://www.cascorp.com)

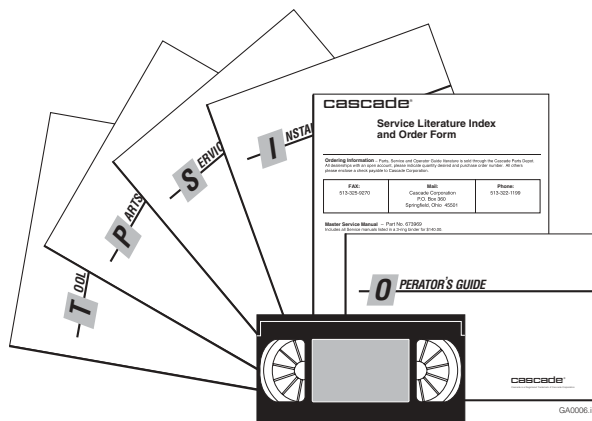
# Safety Decals



CL2779.eps

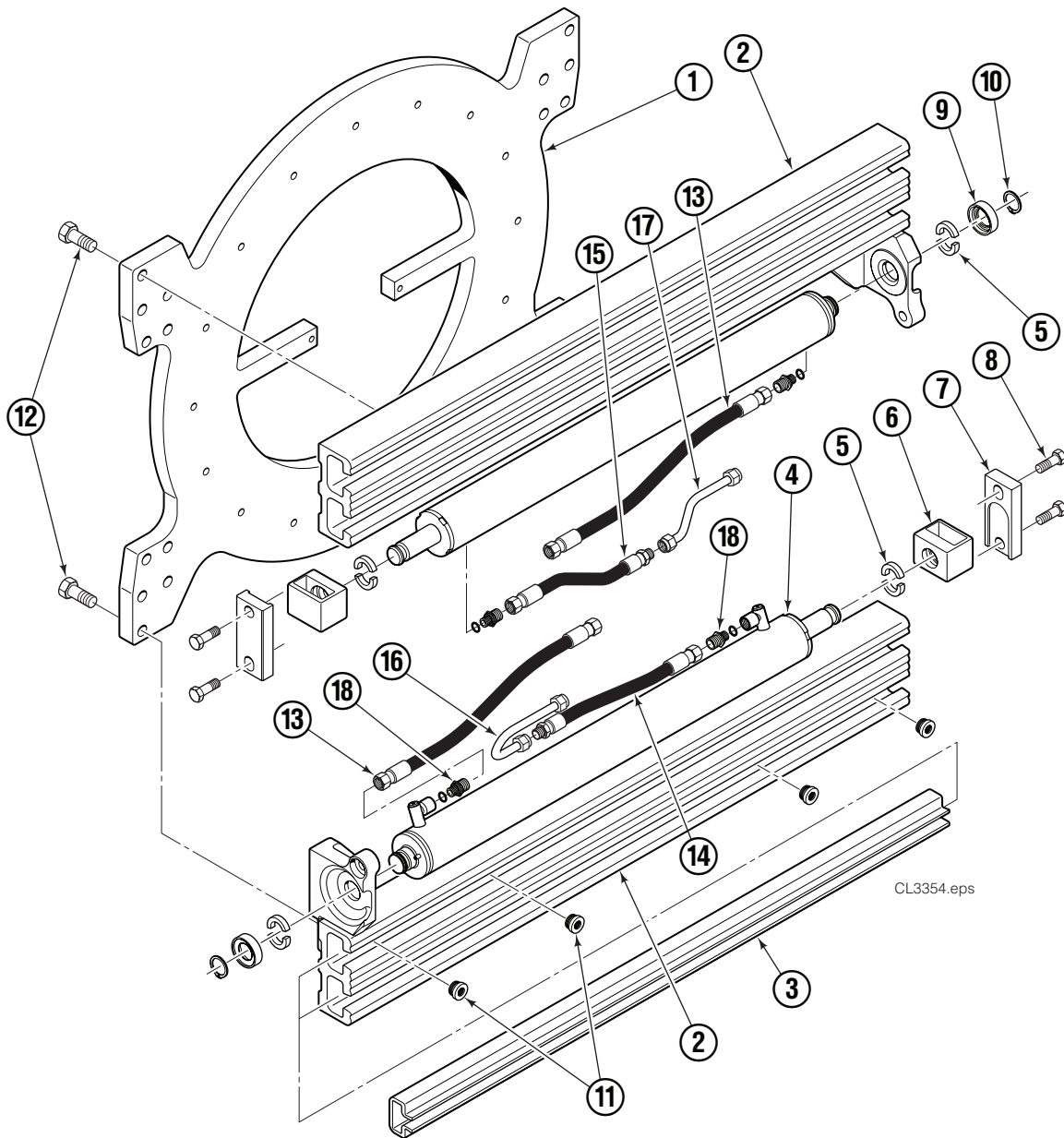
G Clamp			
REF	QTY	PART NO.	DESCRIPTION
1	2	679150	No Step Decal
2	2	665595	No Hand Hold Decal
3	1	796402	Nameplate
4	1	786432	Nameplate
5	1	655268	Patent Plate

# Publications



G Clamp	
6033701	Installation Instructions
6033702	Operator Guide
6033703	Service Manual
677555	Driver Training Video – VHS
678363	Troubleshooting Video – VHS
680664	Servicing Cascade Cylinders – VHS
679929	Tool Catalog
673964	Literature Index Order Form

# Rotating Frame Group



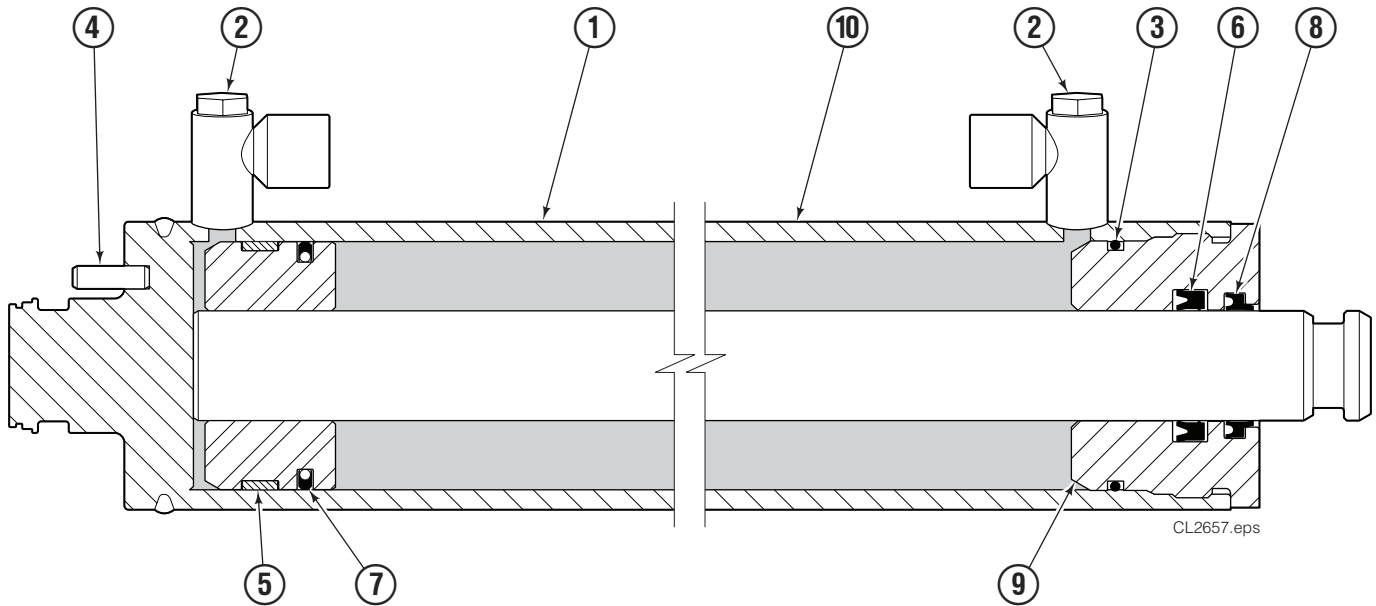
CL3354.eps

44G							
REF	QTY	PART NO.	DESCRIPTION	REF	QTY	PART NO.	DESCRIPTION
		6054985	Rotating Frame Group	10	2	6031241	Retaining Ring
1	1	6047633	Faceplate	11	8	6028433	Plug
2	2	6051717	Frame	12	20	219529	Capscrew, M16 x 40
3	4	6051718	Bearing	13	2	6051719	Hose
4	2	6054984	Cylinder ♦	14	1	6038602	Hose
5	8	6031224	Half Ring	15	1	6043813	Hose
6	2	6033542	Rod End	16	1	6036522	Tube
7	2	6043862	Bar	17	1	6044617	Tube
8	4	214991	Capscrew, M16 x 45	18	4	778100	Fitting, M16
9	2	6031226	Keeper				

♦ See Cylinder page for parts breakdown.

Reference: SK-8363.

# Cylinder

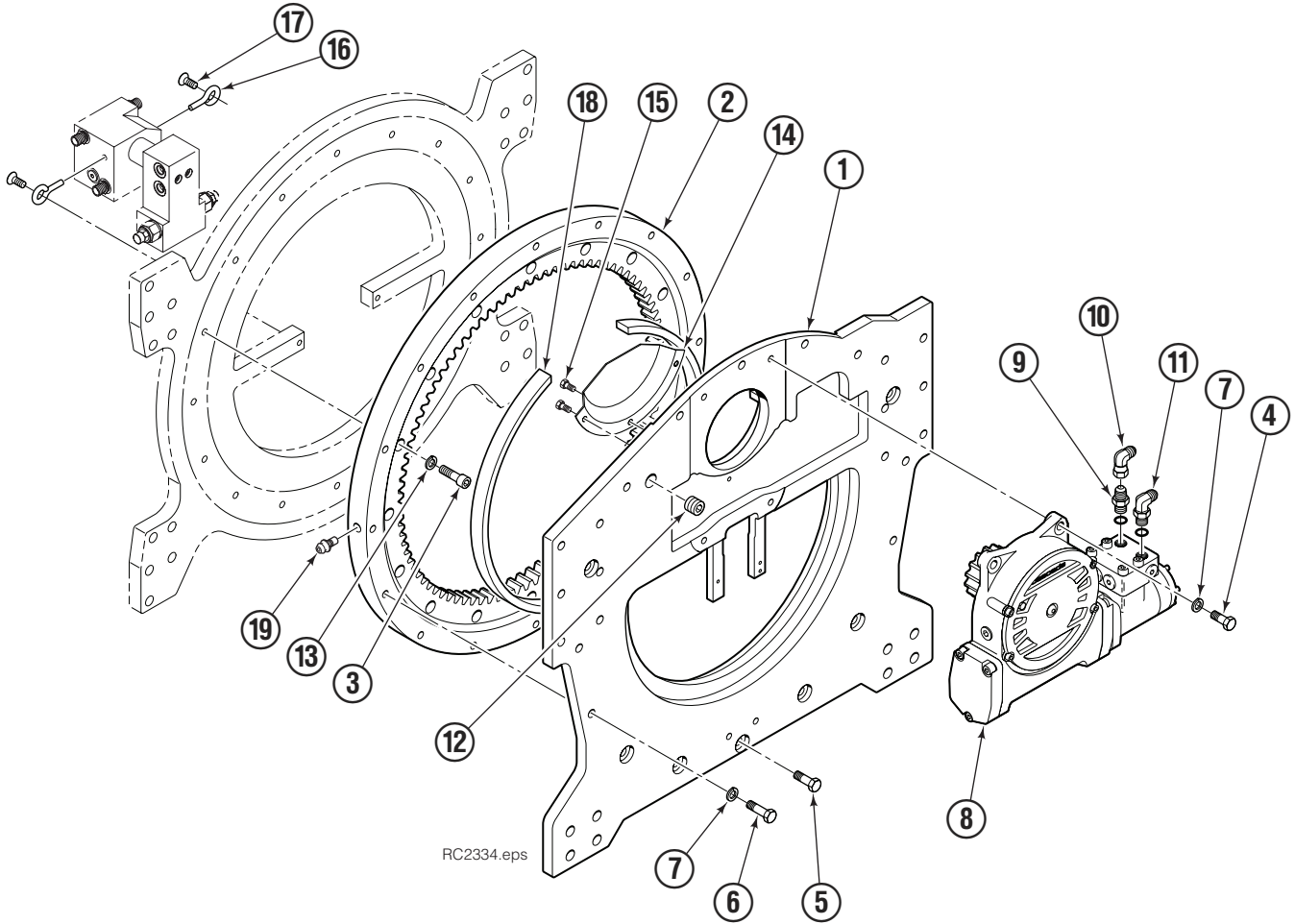


44G			
REF	QTY	PART NO.	DESCRIPTION
		6054984	Cylinder
1	1	6054983	Shell
2	2	17171	Plug, 3
3	1	6031924	O-Ring ◆
4	1	769011	Roll Pin
5	1	6031914	Piston Guide Ring ◆
6	1	6031244	Rod Seal ◆
7	1	6031916	Piston Seal ◆
8	1	6031243	Rod Wiper ◆
9	1	6031913	Retainer
10	1	6046512	Piston/Rod Assembly
		6032462	Service Kit

◆ Included in Service Kit 6032462.

Reference: S-22412.

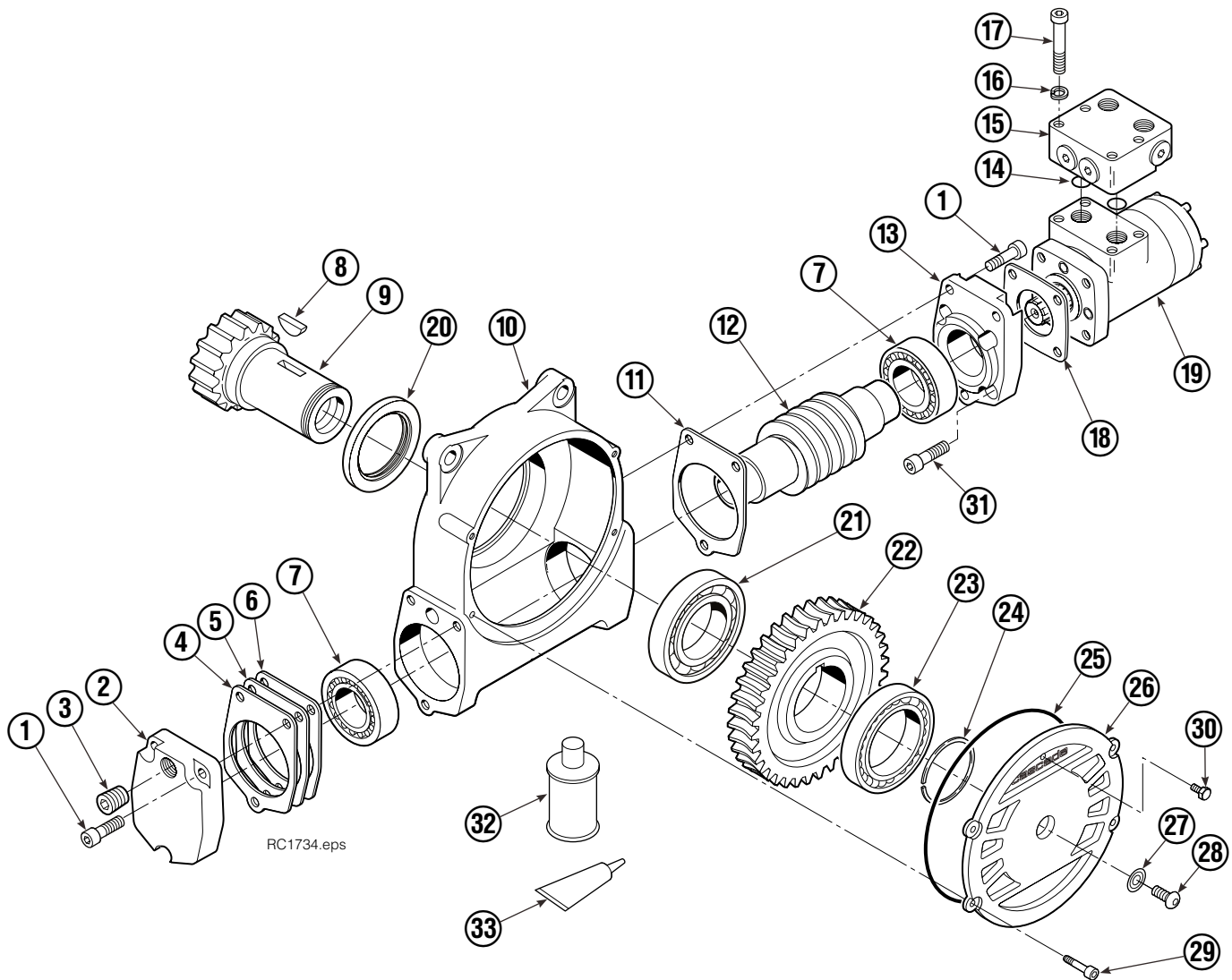
# Rotator Group



44G							
REF	QTY	PART NO.	DESCRIPTION	REF	QTY	PART NO.	DESCRIPTION
		6047638	Rotator Group	10	1	605761	Fitting, 8-8
1	1	6030820	Baseplate	11	1	601250	Fitting, 8-8
2	1	775434	Bearing Assembly	12	1	6605	Plug
3	16	767596	Capscrew, M12 x 40	13	16	678991	Lockwasher, M12
4	4	763021	Capscrew, M12 x 30	14	1	6036287	Cover Plate
5	7	212305	Capscrew, M12 x 35	15	3	767961	Capscrew, M8 x 16
6	9	214487	Capscrew, M12 x 40	16	2	227962	Eye Pin
7	13	683822	Lockwasher	17	2	768697	Capscrew, M10 x 25
8	1	795491	Drive Group ♦	18	1	6036248	Seal
9	1	601377	Fitting, 8-8	19	1	7401	Grease Fitting

♦ See Drive Group page for parts breakdown.

# Drive Group



REF	QTY	PART NO.	DESCRIPTION	REF	QTY	PART NO.	DESCRIPTION
		795491	Drive Group with 2.8 C.I. Motor	18	1	670575	Gasket
1	6	769570	Capscrew, M12 x 25	19	1	206392	Drive Motor – 2.8 C.I. ▼
2	1	676855	Cover	20	1	3014870	Seal
3	1	604510	Fitting, 6	21	1	6033892	Bearing ■
4	●	670574	Shim – .010" (brown)	22	1	675609	Worm Gear
5	●	671757	Shim – .015" (pink)	23	1	670581	Bearing
6	●	671758	Shim – .020" (yellow)	24	1	7214	Snap Ring
7	2	670579	Bearing	25	1	643423	O-Ring
8	1	670582	Key	26	1	775552	Cover
9	1	670506	Pinion	27	1	783609	Seal
10	1	775551	Housing	28	1	783608	Capscrew, M12 x 16
11	1	686465	Gasket	29	4	200882	Capscrew, M8 x 20
12	1	675608	Worm	30	1	644010	Relief Fitting
13	1	775553	Adapter	31	4	4468	Capscrew, 3/8 NC x .75 GR8
14	2	2705	O-Ring	32	1	656300	Gear Box Lube – 48 oz.
15	1	670549	Check Valve ▲	33	1	668184	Sealant
16	4	6444	Lockwasher			670578	Shim Service Kit (items 4-6,11,25,33)
17	4	607059	Capscrew, 5/16 NC x 1.75 GR8			206394	Motor Kit-2.8 (items 11,14,18,19, 33)

● Quantity as required.

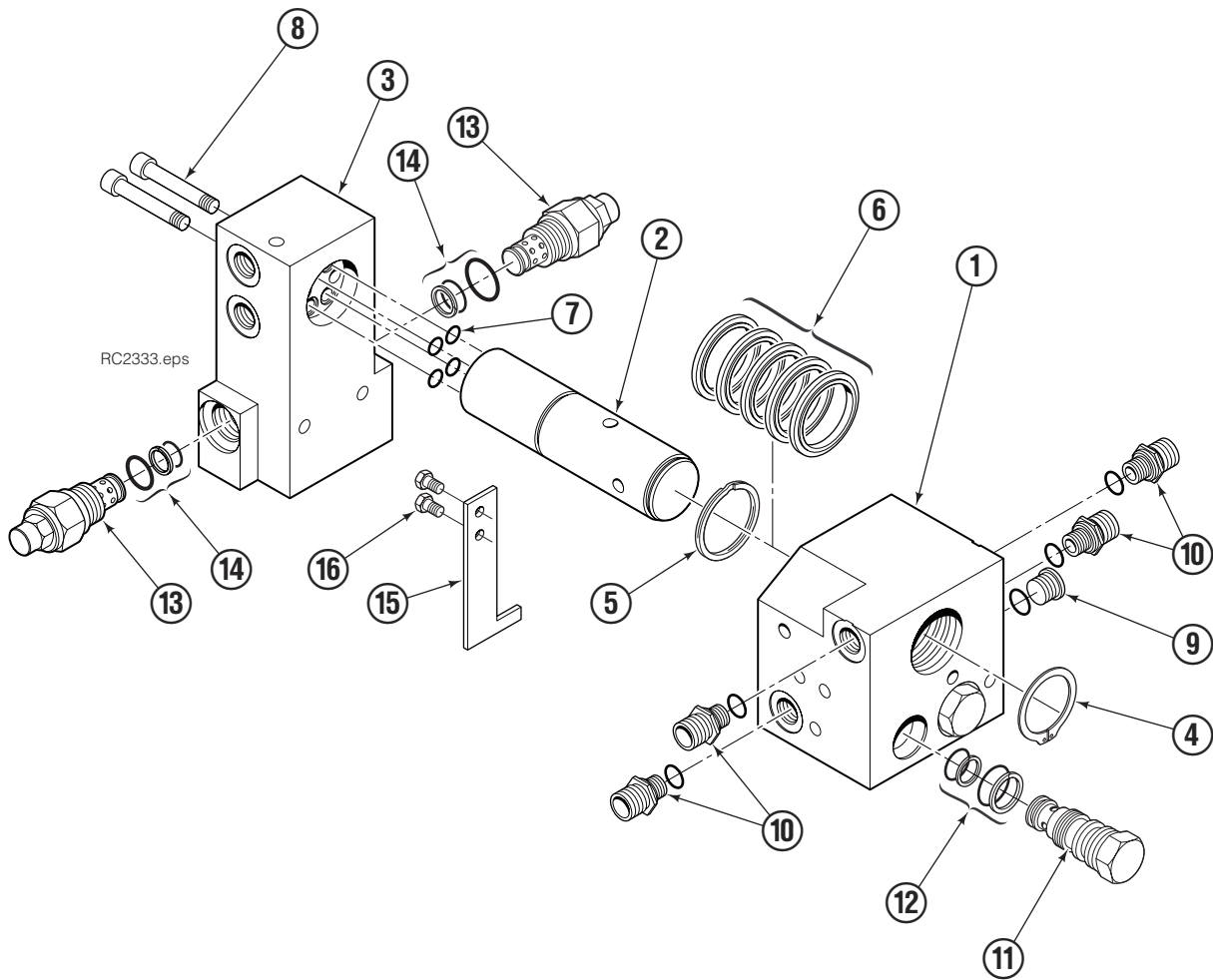
▲ See Check Valve page for parts breakdown.

■ For service replacement use Bearing 670580.

▼ See Drive Motor page for parts breakdown.

Reference: Common Parts 795490, SKN-5527.

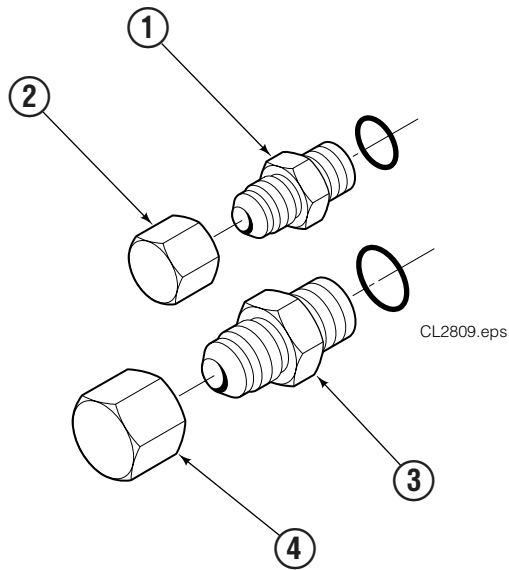
# Revolving Connection



REF	QTY	PART NO.	DESCRIPTION
		6048252	Revolving Connection
1	1	6048253	Valve Body
2	1	6048319	Shaft
3	1	6056185	End Block
4	1	3138	Retaining Ring ◆
5	1	7341	Retaining Ring ◆
6	5	214649	Shaft Seal ◆
7	4	684587	O-Ring ◆
8	2	766123	Capscrew, M8 x 50 ◆
9	1	604510	Fitting, 6
10	4	778100	Fitting, M16
11	2	678376	Check Valve
12	2	667516	Seal Kit
13	2	6056394	Relief Cartridge
14	2	682170	Seal Kit
15	1	6055884	Keeper
16	2	753159	Capscrew, M6 x 10

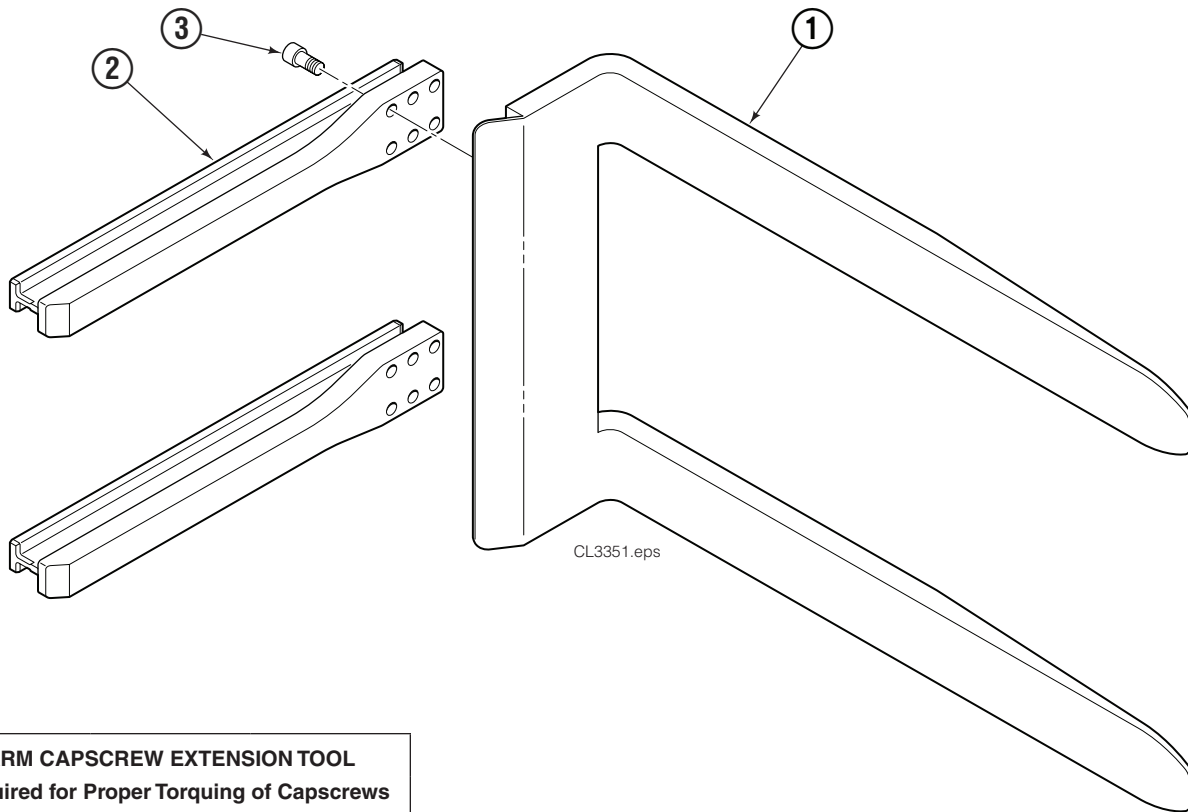
◆ Included in Service Kit 6047407.

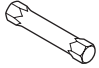
# Fitting Group



REF	QTY	PART NO.	DESCRIPTION
		6039948	Fitting Group
1	2	604511	Fitting, 6-6
2	2	2645	Nut, 6
3	2	601377	Fitting, 8-8
4	2	2646	Nut, 8

# Turn-a-load Arm Group

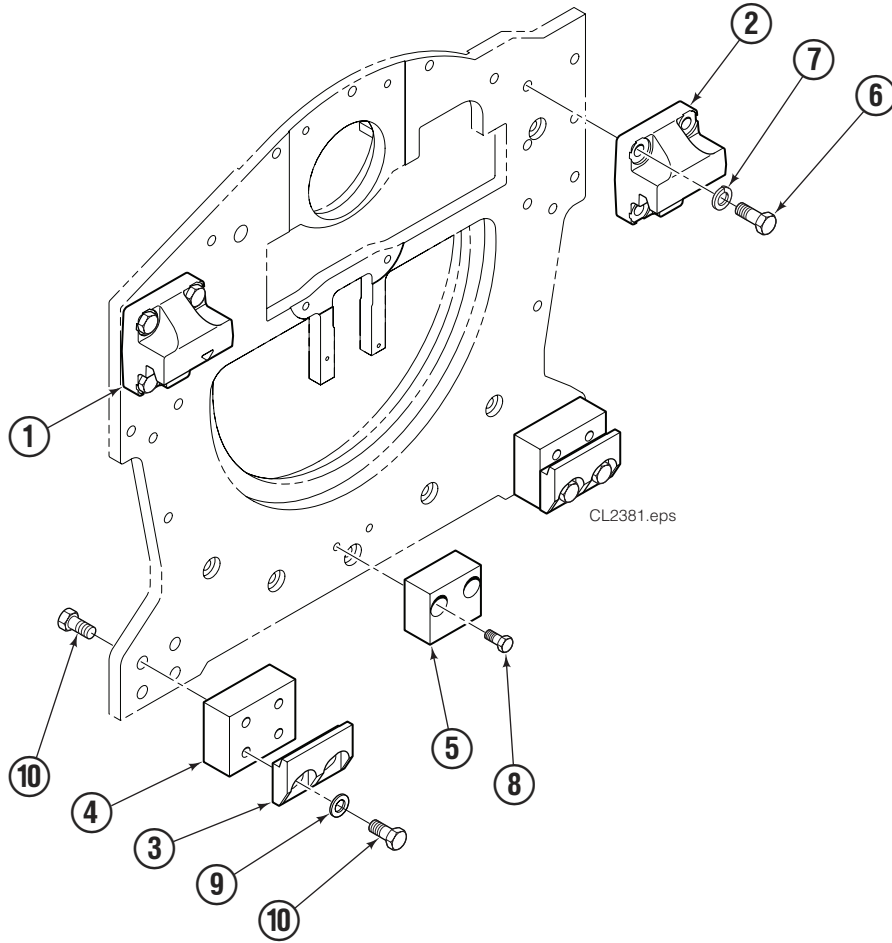


ARM CAPSCREW EXTENSION TOOL Required for Proper Torquing of Capscrews		
	44G	6040285

44G			
REF	QTY	PART NO.	DESCRIPTION
		6054990	Turn-a-load Arm Group
1	1	6054989	Turn-a-load Arm
2	2	6035732	Arm Bar
2	12	769579	Capscrew, M20 x 40

Reference: S-22093, S-22094.

# Mounting Group



## Class II, 0°

REF	QTY	PART NO.	DESCRIPTION
		215329	Mounting Group
1	1	670523	Upper Hook – LH
2	1	670524	Upper Hook – RH
3	2	675968	Lower Hook
4	2	215533	Spacer
5	1	680683	Spacer
6	8	779011	Capscrew, M16 x 40
7	8	678992	Lockwasher, M16
8	2	219246	Capscrew, M12 x 25
9	4	217637	Washer, M16
10	8	684295	Capscrew, M16 x 35



**Do you have questions you need answered right now?** Call your nearest Cascade Parts Department. Visit us online at [www.cascorp.com](http://www.cascorp.com)

**Cascade Corporation**  
2501 Sheridan Avenue  
Springfield, OH 45505  
Tel: 888-CASCADE (227-2233)  
FAX: 888-329-0234

**Cascade Canada Inc.**  
5570 Timberlea Blvd.  
Mississauga, Ontario  
Canada L4W-4M6  
Tel: 905-629-7777  
FAX: 905-629-7785

**Cascade GmbH**  
Dahlener Strasse 570  
41239 Mönchengladbach  
Germany  
Tel: 02166-68230  
FAX: 02166-682323

**Cascade Finland**  
A. Petreliuksenkatu 3  
01370 Vantaa  
Finland  
Tel: 09-8361925  
FAX: 09-8361935

**Cascade N.V.  
Benelux Sales and Service**  
Damsluisweg 56  
PO Box 3009  
1300 El Almere  
The Netherlands  
Tel: 036-5492950  
FAX: 036-5492974

**Cascade (UK) Ltd.**  
Unit 4, 12 O'Clock Court  
Attercliffe Road  
Sheffield, S4 7WW  
England  
Tel: 0870-850-8756  
FAX: 0870-850-8757

**Sales Scotland  
Macade Systems Ltd.**  
18 Melford Road  
Righead Ind. Estate  
Bellshill ML4 3LR  
Scotland  
Tel: 01698-845777  
FAX: 01698-845888

**Cascade (Africa) Pty. Ltd.**  
PO Box 625, Isando 1600  
60A Steel Road  
Sparton, Kempton Park  
South Africa  
Tel: 27-11-975-9240  
FAX: 27-11-394-1147

**Cascade Scandinavia AB**  
Hammarvägen 10  
PO Box 124  
S-56723 Vaggeryd  
Sweden  
Tel: 039-336950  
FAX: 039-336959

**Cascade France  
S.A.R.L. MHP**  
1D Rue De Charaintru BP 18,  
91360 Epinay-Sur-Orge  
France  
Tel: 01-6454-7500  
FAX: 01-6454-7501

**Cascade Hispania S.A.**  
Carrer 5, Sector C  
Zona Franca Duanera  
Poligono de la Zona Franca  
08040 Barcelona, Spain  
Tel: 93-264-07-30  
FAX: 93-264-07-31

**Cascade Roncari S.R.L.**  
Via Dell'Artigianato 1  
37050 Vago di Lavagno (VR)  
Italy  
Tel: 39-045-8989111  
FAX: 39-0458989160

**Sales Portugal FAG  
Santos Lda**  
Rua do Mercado  
Lte 6, Loja 2-Tires 2785-630  
S. Domingos De Rana  
Portugal  
Tel: 214-448-083  
FAX: 214-458-098

**Sales Switzerland  
Fahrzeugbedarf**  
8810, Horgen  
Switzerland  
Tel: 01-7279797  
FAX: 01-7279798

**Sales Poland**  
Targowa 35/61  
03-728 Warszawa  
Tel: 022-619 00 49  
FAX: 022-619 00 49  
Mobile Phone: 0501-27 29 55

**Sales Russia**  
EMCG Material Handling  
Equipment  
Moscow  
Tel: 095-795-2400  
FAX: 095-795-2475  
Email: [emcg@sovintel.ru](mailto:emcg@sovintel.ru)

**Cascade Japan Ltd.**  
5-5-41,  
Torikai Kami  
Settsu, Osaka  
Japan, 566  
Tel: 81-726-53-3490  
FAX: 81-726-53-3497

**Cascade Korea**  
121B 9L Namdong Ind.  
Complex, 691-8 Gojan-Dong  
Namdong-Ku  
Inchon, 405-310 Korea  
Tel: 82-32-821-2051  
FAX: 82-32-821-2055

**Cascade Australia**  
1445 Ipswich Road  
Rocklea, QLD 4107  
Australia  
Tel: 1-800-227-223  
FAX: 617-3373-7333

**Cascade New Zealand**  
15 Ra Ora Drive  
East Tamaki, Auckland  
New Zealand  
Tel: 64-9-273-9136  
FAX: 64-9-273-9137

**Cascade-Xiamen**  
No. 668 Yangguang Rd.  
Xinyang Industrial Zone  
Haicang, Xiamen City  
Fujian Province  
P.R. China 361026  
Tel: 86-592-651-2500  
FAX: 86-592-651-2571

**Sunstream Industries  
Pte Ltd.**  
No. 3 Tuas Link 1  
2263  
Singapore  
Tel: 65-6863-3488  
FAX: 65-6863-1368

