



Parts Manual

Model _____ Rotator _____

Serial Number _____ 55G-RRB-14A R4 _____

cascade®
corporation

For Technical Assistance call: 800-227-2233, Fax: 888-329-8207

To Order Parts call: 888-227-2233, Fax: 888-329-0234

OR

Write: Cascade Corporation, P.O. Box 20187, Portland, OR 97220

Internet: www.cascorp.com

Safety Decals



RR0026.eps

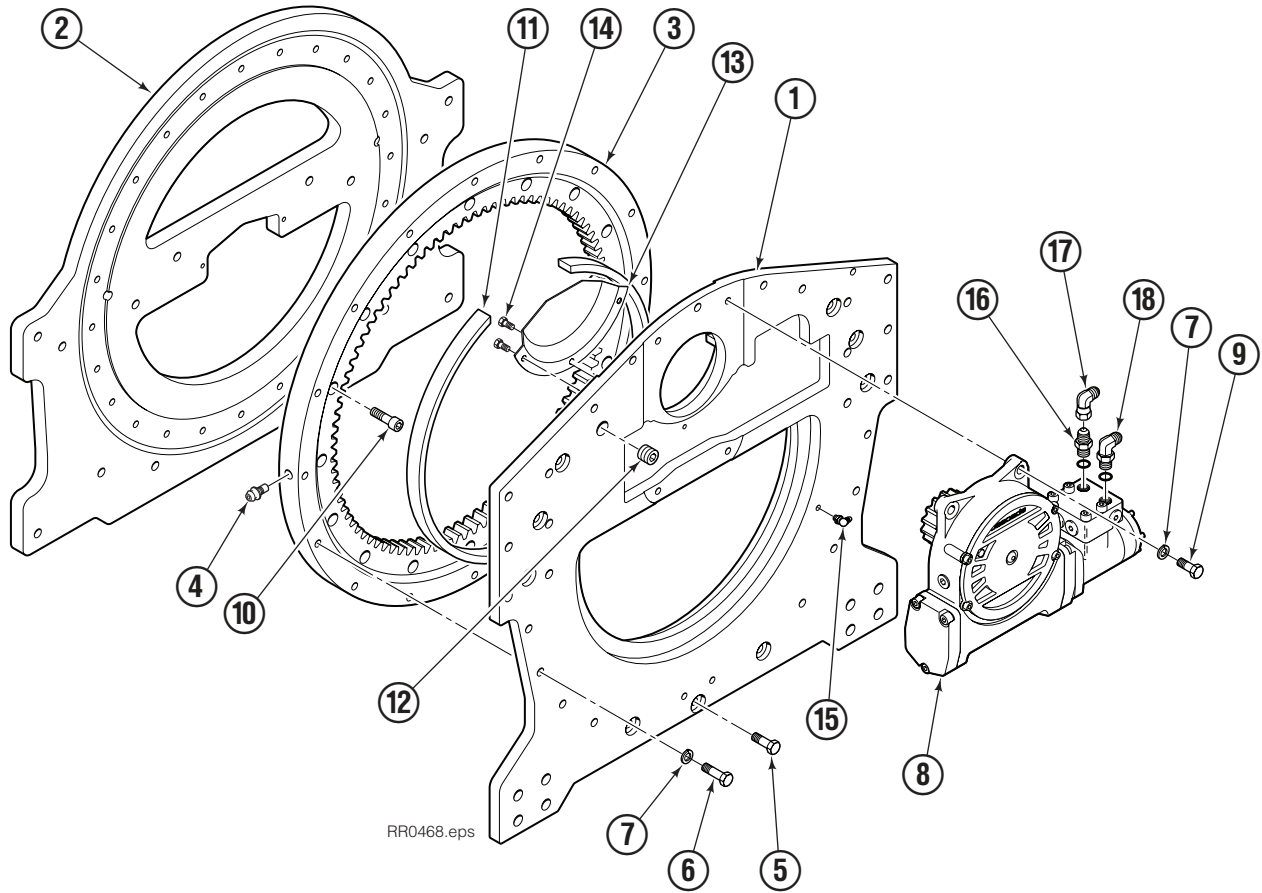
G Rotator			
REF	QTY	PART NO.	DESCRIPTION
1	1	679150	No Step Decal

Publications



G Rotator	
6073002	Installation Instructions
672714	Operator Guide
6073955	Service Manual
679929	Tool Catalog
673964	Literature Index Order Form

Rotator Group



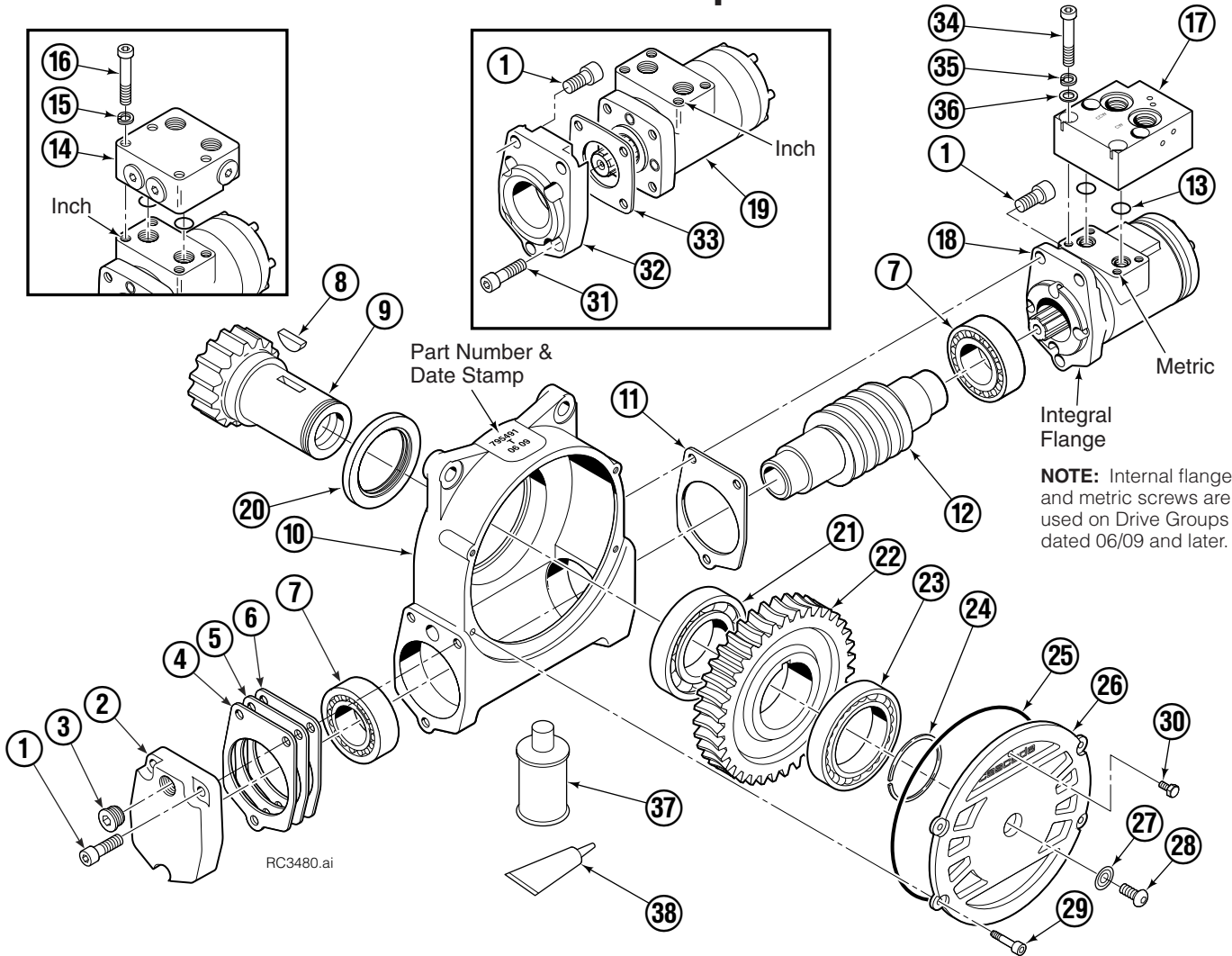
55G			
REF	QTY	PART NO.	DESCRIPTION
		6052600	Rotator Group
1	1	6059682	Baseplate
2	1	6050782	Faceplate
3	1	213761	Bearing Assembly
4	1	7401	Grease Fitting
5	9	6057357	Capscrew, M12 x 45
6	13	213633	Capscrew, M12 x 55
7	17	683822	Lockwasher, M12
8	1	368073	Drive Group ♦
9	4	763021	Capscrew, M12 x 30
10	24	769572	Capscrew, M12 x 35
11	1	6036248	Seal
12	1	6605	Plug
13	1	6036287	Cover Plate
14	3	767961	Capscrew, M8 x 16
15	1	7406	Grease Fitting
16	1	601377	Fitting, 8-8 ■
17	1	605761	Fitting, 8-8 ■
18	1	601250	Fitting, 8-8 ■

♦ See Drive Group page for parts breakdown.

■ Included in Fitting Group 212367.

Reference: Common Parts 6059824, Fastener Kit 6057411.

Drive Group



REF	QTY	PART NO.	DESCRIPTION	REF	QTY	PART NO.	DESCRIPTION
		368073	Drive Group with 2.2 c.i. Motor	20	1	3014870	Seal
1	6	769570	Capscrew, M12 x 25	21	1	6033892	Bearing ★
2	1	676855	Cover	22	1	675609	Worm Gear
3	1	604510	Fitting, 6	23	1	670581	Bearing
4	●	670574	Shim – .010" (brown)	24	1	7214	Snap Ring
5	●	671757	Shim – .015" (pink)	25	1	643423	O-Ring
6	●	671758	Shim – .020" (yellow)	26	1	775552	Cover
7	2	670579	Bearing	27	1	783609	Seal
8	1	670582	Key	28	1	783608	Capscrew, M10 x 16
9	1	670506	Pinion	29	4	200882	Capscrew, M8 x 20
10	1	775551	Housing	30	1	644010	Relief Fitting
11	1	686465	Gasket	31	4	4468	Capscrew, 3/8 NC x .75
12	1	675608	Worm	32	1	775553	Adapter
13	2	2705	O-Ring	33	1	670575	Gasket
14	1	670549	Check Valve ◆	34	4	768798	Capscrew, M8 x 40
15	4	6444	Lockwasher, 5/16	35	4	787384	Lockwasher, M8
16	4	607059	Capscrew, 5/16 NC x 1.75	36	4	221494	Washer, M8
17	1	6063316	Check Valve ◆	37	1	656300	Gear Box Lube – 48 oz.
18	1	6097946	Drive Motor – 2.2 c.i. ■	38	1	668184	Sealant
19	1	206406	Drive Motor – 2.2 c.i. ■			670578	Shim Service Kit (items 4-6,11,25,38)

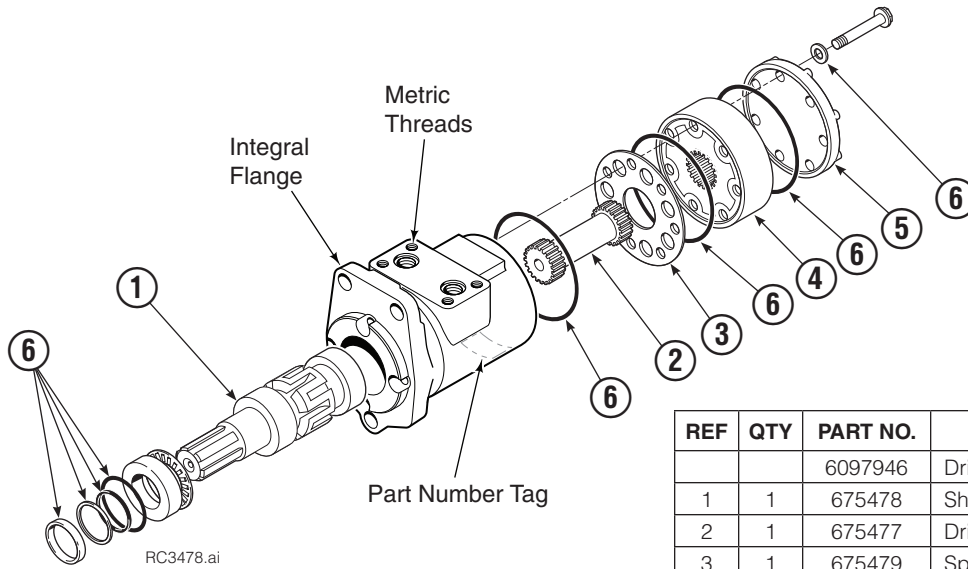
● Quantity as required.

◆ See Valve page for parts breakdown.

■ See Drive Motor page for parts breakdown.

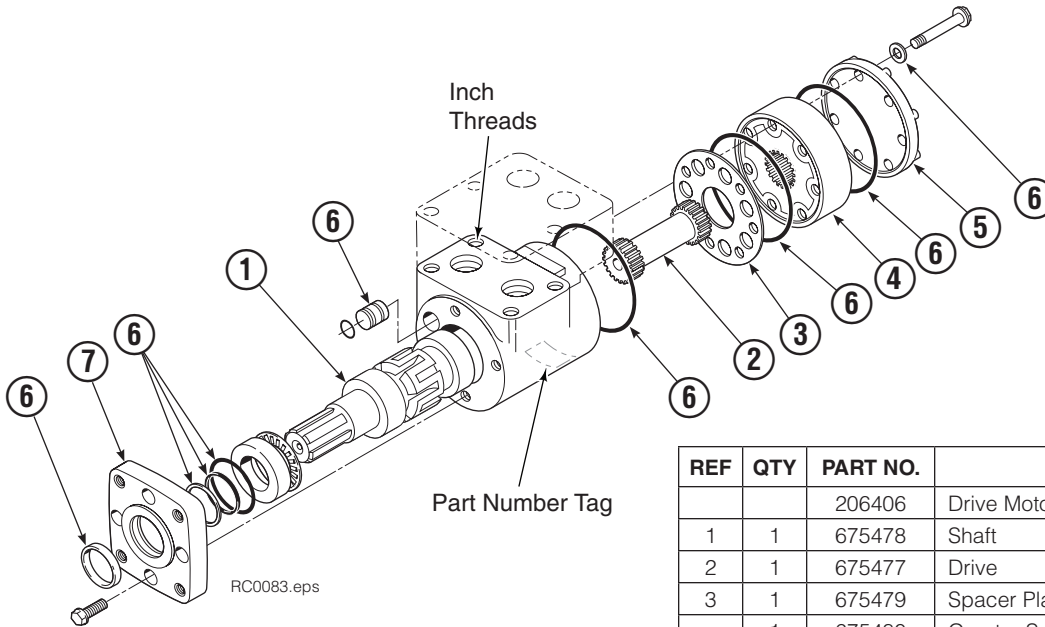
★ For service replacement use Bearing 670580.

Drive Motor



REF	QTY	PART NO.	DESCRIPTION
		6097946	Drive Motor – 2.2 c.i.
1	1	675478	Shaft
2	1	675477	Drive
3	1	675479	Spacer Plate
4	1	685074	Gerotor Set
5	1	675482	End Cap
6	1	206405	Service Kit ●

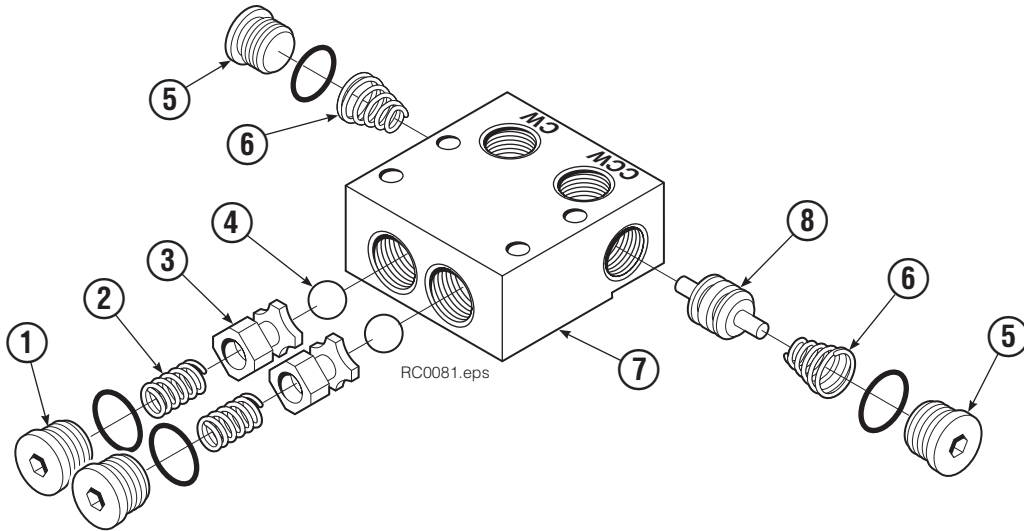
● Compatible with water glycol based hydraulic fluids.
 Cascade provides service replacement parts for the listed parts only. Due to cost, if other parts need replacement, the complete drive motor should be replaced.



REF	QTY	PART NO.	DESCRIPTION
		206406	Drive Motor – 2.2 c.i.
1	1	675478	Shaft
2	1	675477	Drive
3	1	675479	Spacer Plate
4	1	675480	Gerotor Set (101-1768-007) ■
	1	685075	Gerotor Set (101-1768-009) ■
5	1	675482	End Cap
6	1	206405	Service Kit ●
7	1	685089	Flange (101-1768-007) ■
	1	685090	Flange (101-1768-009) ■

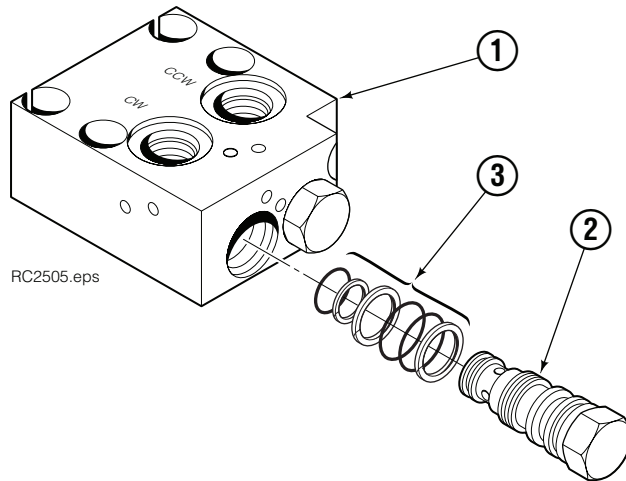
■ See Nameplate under valve for correct part number of Gerotor Set and Flange.
 ● Compatible with water glycol based hydraulic fluids.
 Cascade provides service replacement parts for the listed parts only. Due to cost, if other parts need replacement, the complete drive motor should be replaced.

Check Valve



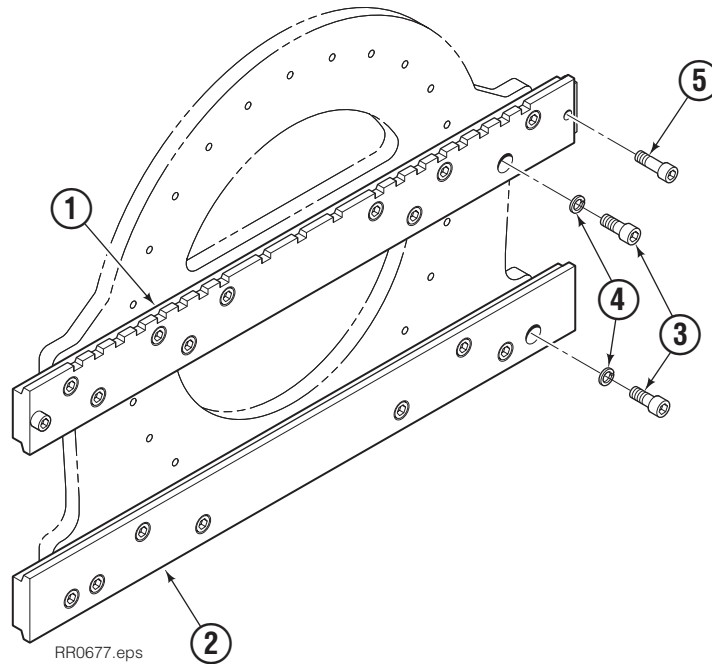
REF	QTY	PART NO.	DESCRIPTION
		670549	Check Valve Assembly ★
1	2	609453	Fitting, 10
2	2	670552	Spring
3	2	670551	Guide
4	2	7020	Ball
5	2	602580	Fitting, 8
6	2	673989	Spring
7	1	670550	Body ★
8	1	670553	Spool

★ No longer available, replaced by 6063316 Valve Assembly.



REF	QTY	PART NO.	DESCRIPTION
		6063316	Check Valve Assembly
1	1	6063282	Valve Body
2	2	6038929	Check Valve – PO
3	2	667516	Service Kit

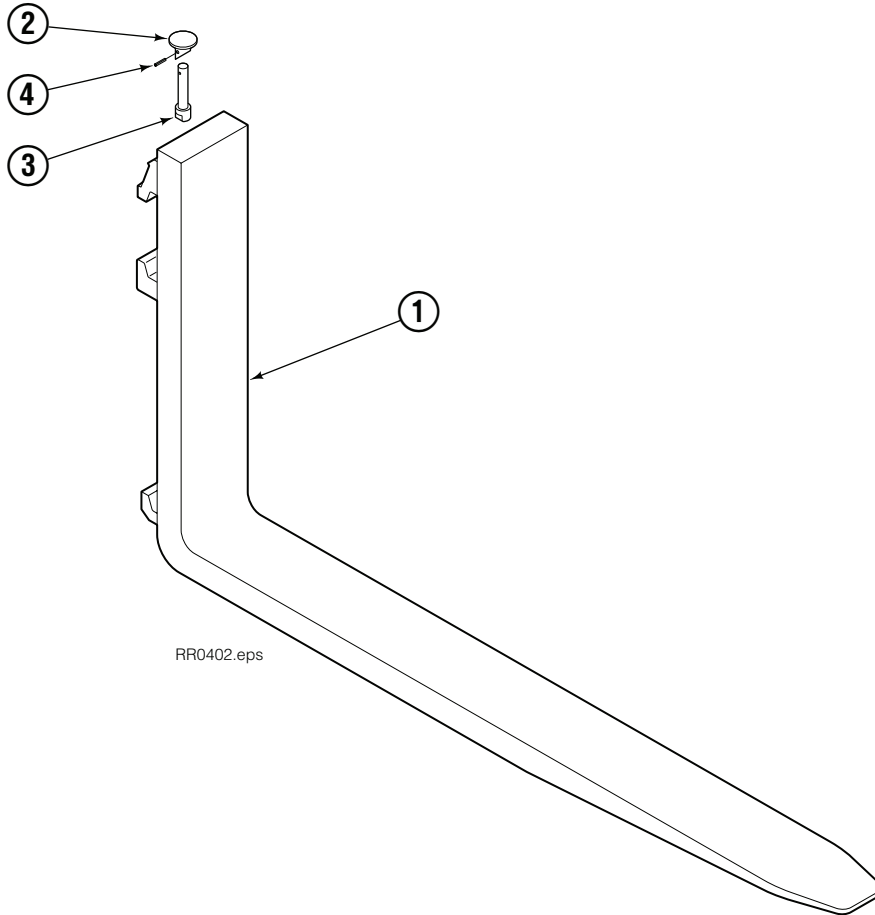
Fork Bar Group



RR0677.eps

55G			
REF	QTY	PART NO.	DESCRIPTION
		6065833	Fork Bar Group
1	1	6062891	Upper Bar
2	1	6065772	Lower Bar
3	18	769574	Capscrew, M16 x 35
4	18	678992	Lockwasher, M16
5	2	775443	Capscrew, M16 x 25

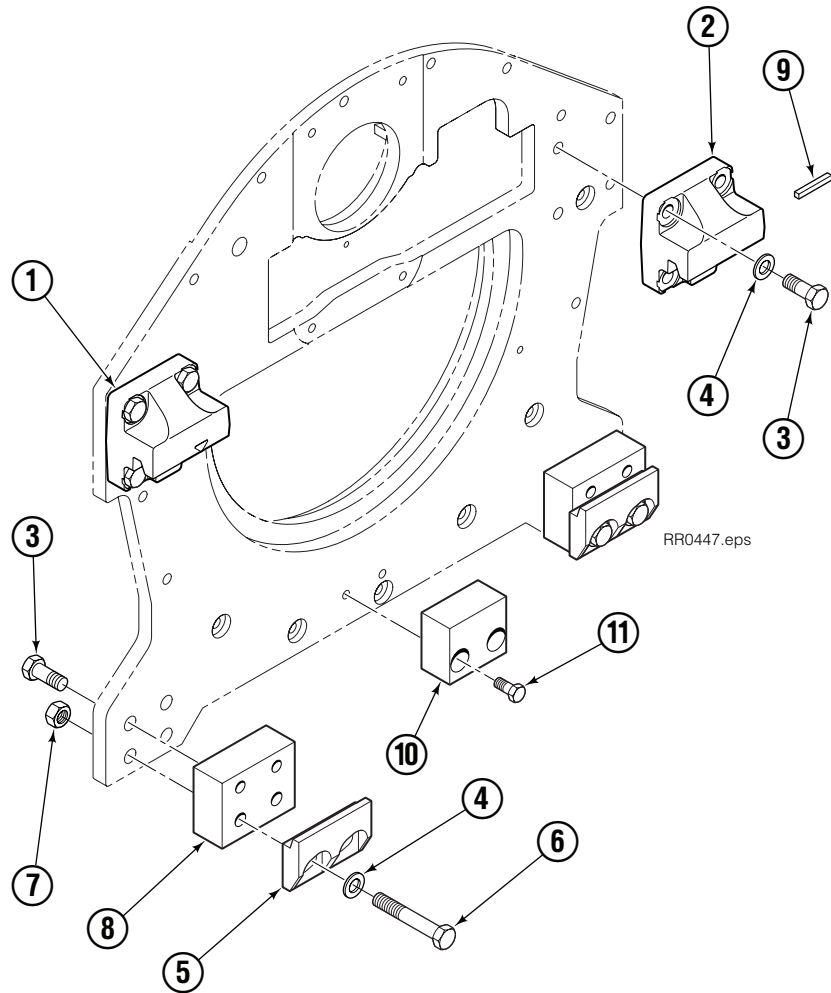
Fork Group



55G			
REF	QTY	PART NO.	DESCRIPTION
		6052636	Fork Assembly
1	1	6052631	Fork
2	1	7000209	Knob ◆
3	1	7000194	Pin ◆
4	1	7000210	Coiled Spring Pin ◆

◆ Included in Pin Kit 7000031.

Bolt-On Mounting Group



Class II, 0°			
REF	QTY	PART NO.	DESCRIPTION
		6051543	Mounting Group
1	1	670523	Upper Hook – LH
2	1	670524	Upper Hook – RH
3	12	766154	Capscrew, M16 x 40
4	12	217637	Washer, M16
5	2	675968	Lower Hook
6	4	765612	Capscrew, M16 x 100
7	4	781534	Nut, M16
8	2	781400	Spacer
9	1	669344	Stop Block Kit
10	1	680683	Center Spacer
11	2	767810	Capscrew, M12 x 25

Do you have questions you need answered right now? Call your nearest Cascade Parts Department. Visit us online at www.cascorp.com

**Cascade Corporation
U.S. Headquarters**
2201 NE 201st
Fairview, OR 97024-9718
Tel: 800-CASCADE (227-2233)
FAX: 888-329-8207

Cascade Canada Inc.
5570 Timberlea Blvd.
Mississauga, Ontario
Canada L4W-4M6
Tel: 905-629-7777
FAX: 905-629-7785

Cascade GmbH
Niederwippekühl 1
58579 Schalksmühle
Germany
Tel: 02355-50900
FAX: 02355-509020

Cascade Finland
A. Petreliuksenkatu 3
01370 Vantaa
Finland
Tel: 09-8361925
FAX: 09-8361935

**Cascade Italia S.R.L.
European Headquarters**
Via Dell'Artigianato 1
37030 Vago di Lavagno (VR)
Italy
Tel: 39-045-8989111
FAX: 39-045-8989160

**Cascade N.V.
Benelux Sales**
Damsluisweg 56
PO Box 3009
1300 El Almere
The Netherlands
Tel: 036-5492950
FAX: 036-5492974

Cascade Kenhar Ltd.
3 Kelbrook Road
Parkhouse Ind. Estate
Openshaw,
Manchester M11 2DD
England
Tel: 0800-243015
FAX: 0161-4384055

**Sales Scotland
Macade Systems Ltd.**
18 Melford Road
Righead Ind. Estate
Bellshill ML4 3LR
Scotland
Tel: 01698-845777
FAX: 01698-845888

Cascade Scandinavia AB
Hammarvägen 10
PO Box 124
S-56723 Vaggeryd
Sweden
Tel: 039-336950
FAX: 039-336959

**Cascade France
S.A.R.L. MHP**
1D Rue De Charaintru BP 18,
91360 Epinay-Sur-Orge
France
Tel: 01-6454-7500
FAX: 01-6454-7501

Cascade Hispania S.A.
Calle Mogoda, 66-68 Nave 8
Pol Ind Can Salvatella
08210 Barberá del Vallés -
Barcelona, Spain
Tel: +34 93719 7530
Fax: +34 93719 75 31

Cascade (Africa) Pty. Ltd.
PO Box 625, Isando 1600
60A Steel Road
Sparton, Kempton Park
South Africa
Tel: 27-11-975-9240
FAX: 27-11-394-1147

Movimenta Lda.
Parque Industrial
Vale do Alecrim, Lote 108
2950-403 Palmela
Portugal
Tel: 351-212387340
FAX: 351-212387349

**Sales Switzerland
Fahrzeugbedarf**
8810, Horgen
Switzerland
Tel: 01-7279797
FAX: 01-7279798

Sales Poland
Targowa 35/61
03-728 Warszawa
Tel: 022-619 00 49
FAX: 022-619 00 49
Mobile Tel: 0501-27 29 55

Sales Russia
EMCG Material Handling
Equipment
Moscow
Tel: 095-795-2400
FAX: 095-795-2475
Email: emcg@emcg.ru

Cascade Japan Ltd.
2-23, 2-Chome,
Kukuchi Nishimachi
Amagasaki, Hyogo
Japan, 661-0978
Tel: 81-6-6420-9771
FAX: 81-6-6420-9777

Cascade Korea
121B 9L Namdong Ind.
Complex, 691-8 Gojan-Dong
Namdong-Ku
Inchon, 405-310 Korea
Tel: 82-32-821-2051
FAX: 82-32-821-2055

Cascade Australia
1445 Ipswich Road
Rocklea, QLD 4107
Australia
Tel: 1-800-227-223
FAX: 617-3373-7333

Cascade New Zealand
15 Ra Ora Drive
East Tamaki, Auckland
New Zealand
Tel: 64-9-273-9136
FAX: 64-9-273-9137

Cascade-Xiamen
No. 668 Yangguang Rd.
Xinyang Industrial Zone
Haicang, Xiamen City
Fujian Province
P.R. China 361026
Tel: 86-592-651-2500
FAX: 86-592-651-2571

**Sunstream Industries
Pte Ltd.**
No. 3 Tuas Link 1
2263
Singapore
Tel: 65-6863-3488
FAX: 65-6863-1368

**Cascade do Brasil
LTDA**
Rua João Guerra, 134
Macuco, Santos - SP
Brasil 11015-130
Tel: 55-13-2105-8800
Fax: 55-13-2105-8899

**Cascade India Material
Handling Private Limited**
No 9, Global Trade Centre
1/1 Rambaugh Colony
Lal Bahadur Shastri Road,
Navi Peth, Pune 411 030
(Maharashtra) India
Phone: 020 2433 5460/5490
Fax: 020 2433 0881

