



# Parts Manual

---

Model \_\_\_\_\_ Fork Positioner

Catalog Number \_\_\_\_\_ 85D-FPB-02B R1

---

**cascade**®  
**corporation**

**For Technical Assistance call:** 800-227-2233, Fax: 888-329-8207

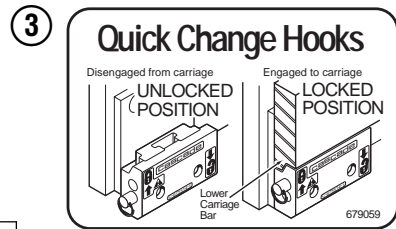
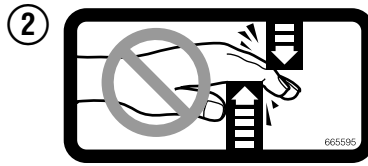
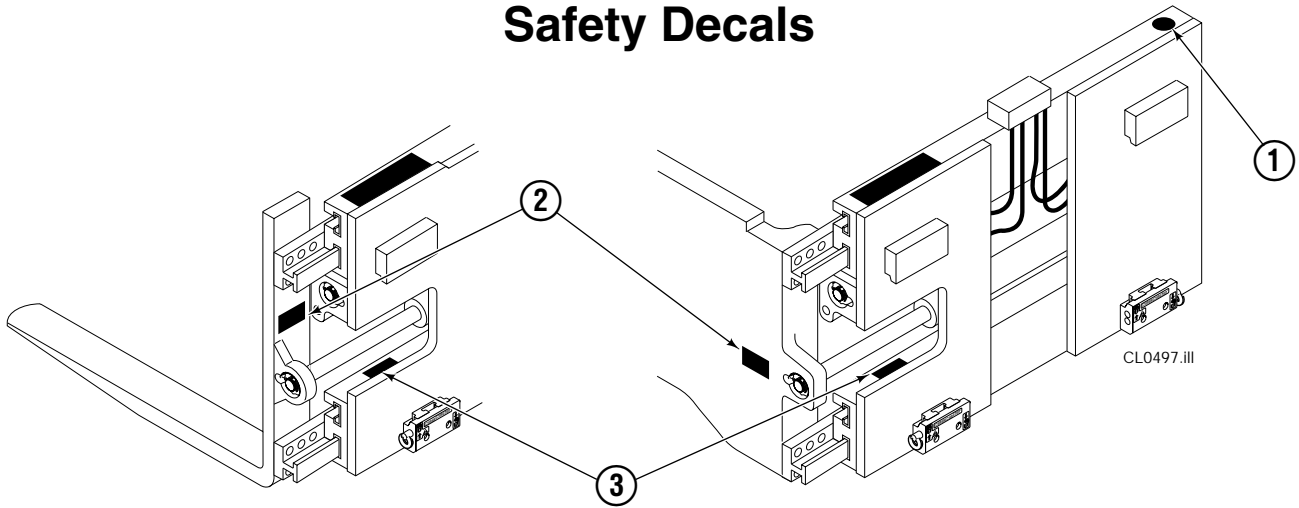
**To Order Parts call:** 888-227-2233, Fax: 888-329-0234

**OR**

**Write:** Cascade Corporation, P.O. Box 20187, Portland, OR 97220

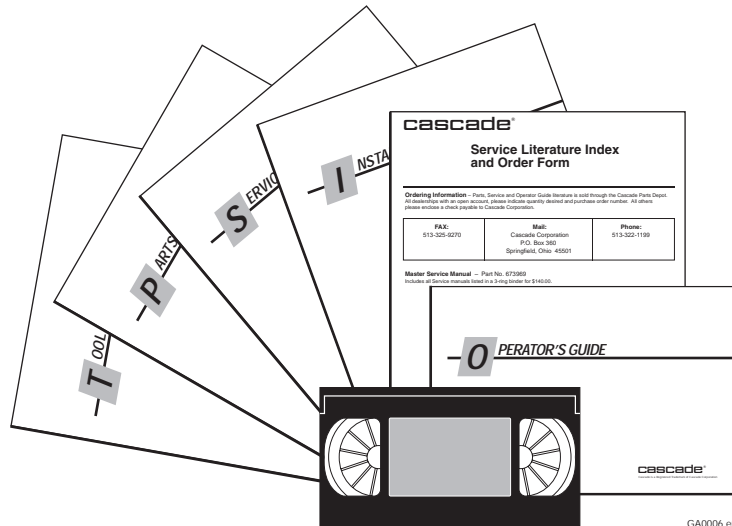
**Internet:** [www.cascorp.com](http://www.cascorp.com)

# Safety Decals



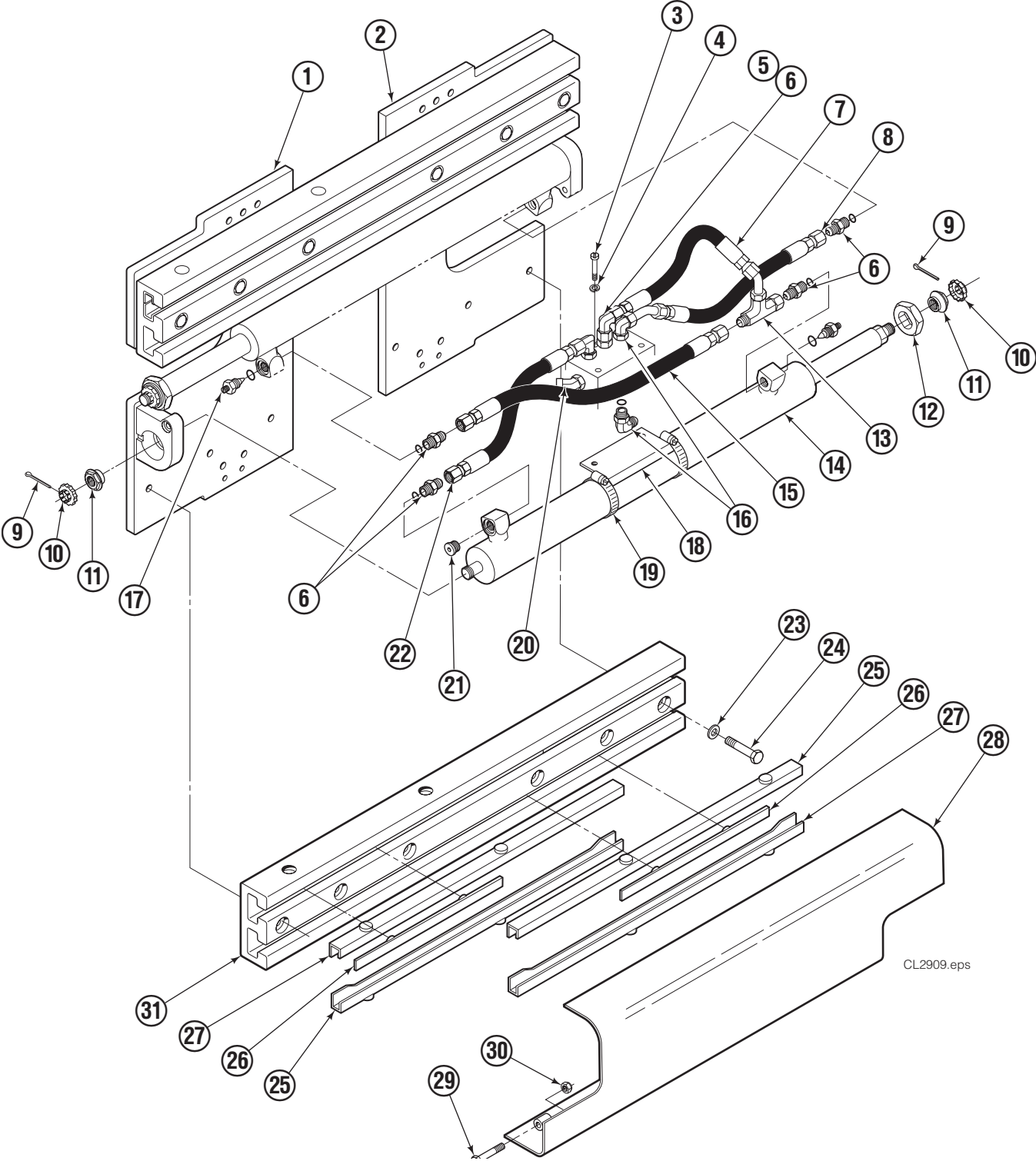
REF	QTY	PART NO.	DESCRIPTION
1	1	679150	No Step Decal
2	2	665595	No Hand Hold Decal
3	1	679059	Quick Change Hook Decal

# Publications



PART NO.	DESCRIPTION
669224	Service Manual
672944	Operators Guide
668987	Installation Instructions
680664	Servicing Cascade Cylinders-VHS
679929	Tool Catalog
673964	Literature Index Order Form

# Base Unit Group



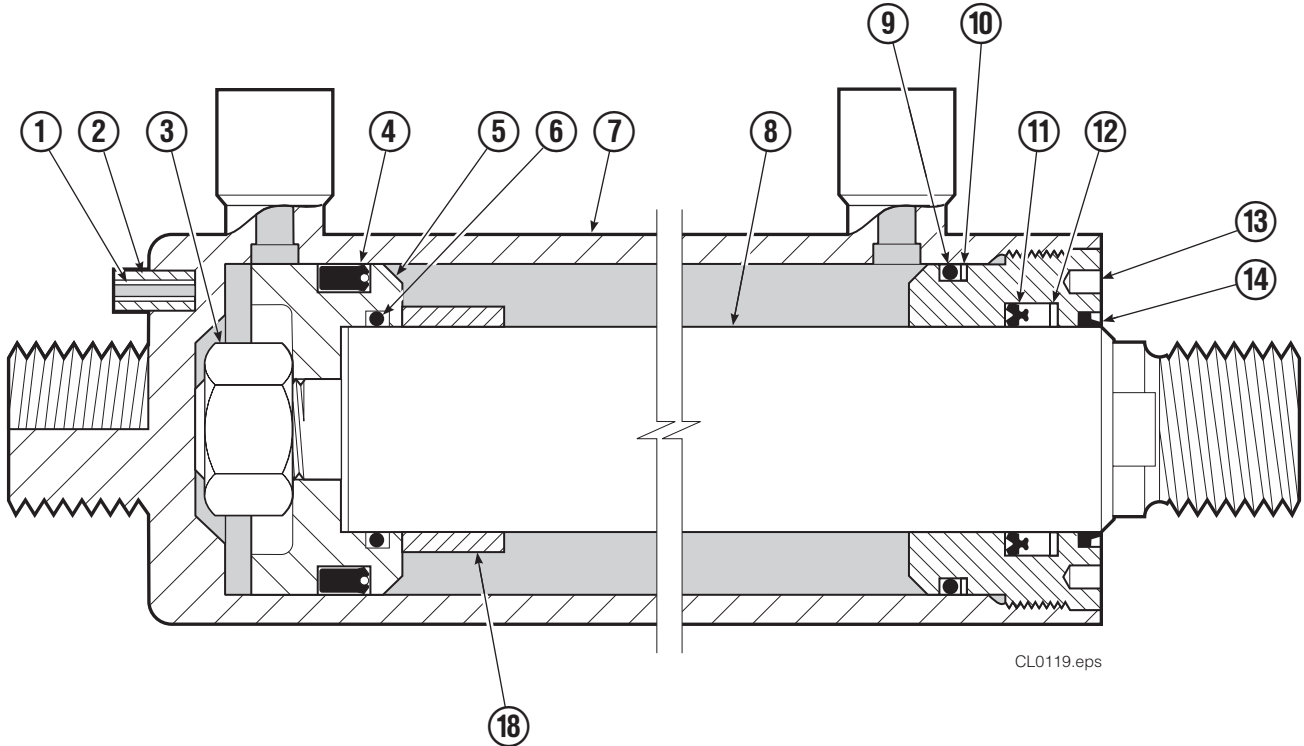
CL2909.eps

# Base Unit Group

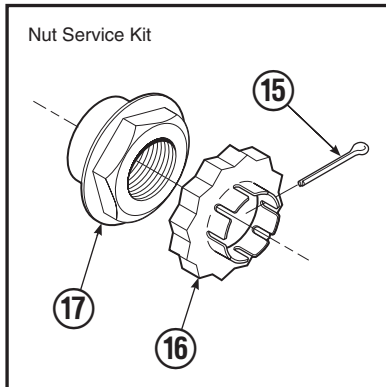
85D			
REF	QTY	PART NO.	DESCRIPTION
		682460	Base Unit Group
1	1	682456	Mounting Plate – RH
2	1	682452	Mounting Plate – LH
3	2	768529	Capscrew, M8 x 60
4	2	6287	Lockwasher, 5/16
5	1	605761	Fitting, 8-8
6	5	601377	Fitting, 8-8
7	1	681761	Hose, 9.50 in.
8	1	676111	Hose, 18.25 in.
9	4	6513	■ Cotter Pin
10	4	676110	■ Retainer
11	4	676109	■ Nut
12	2	676108	Washer
13	1	611330	Fitting, 8-8
14	2	676429	Cylinder ◆
15	1	676113	Hose, 17.00 in.
16	3	601250	Fitting, 8-8
17	2	667609	Restrictor Cartridge ●
18	1	676115	Bracket
19	2	644588	Clamp
20	1	611303	Fitting, 8-8
21	2	602580	Fitting, 8
22	1	676114	Hose, 18.50 in.
23	8	670692	Washer, 13/16
24	8	676793	Capscrew, M20 x 100
25	4	676104	Bearing
26	4	667663	Bearing
27	4	676105	Bearing
28	1	676106	Bumper
29	2	768560	Capscrew, M12 x 80
30	2	773842	Nut, M12
31	2	676103	Frame
		678036	Nut Service Kit

- Included in Nut Service Kit 678036.
  - ◆ See Cylinder page for parts breakdown,
  - See Restrictor Cartridge page for parts breakdown.
- Reference: Common Parts 676794, S-3337, S-3338, SK-5055.

# Cylinder Assembly



CL0119.eps



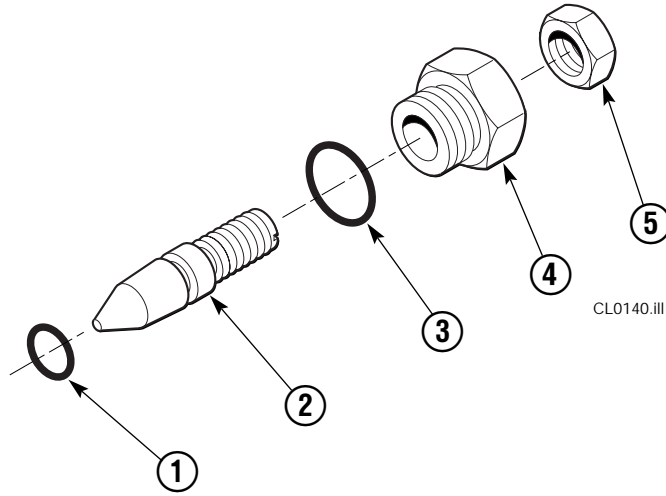
85D			
REF	QTY	PART NO.	DESCRIPTION
		676429	Cylinder Assembly
1	1	7882	Roll Pin
2	1	7964	Roll Pin
3	1	560997	Nut
4	1	662459	◆ Seal
5	1	558405	Piston
6	1	2787	◆ O-Ring
7	1	556463	Shell
8	1	556464	Rod
9	1	209589	◆ O-Ring
10	1	229646	◆ Back-Up Ring
11	1	553520	◆ Seal
12	1	636701	◆ Back-Up Ring
13	1	556432	Retainer
14	1	624572	◆ Wiper
15	1	6513	■ Cotter Pin
16	1	676110	■ Retainer
17	1	676109	■ Nut
18	1	—	Spacer
		556486	Service Kit

◆ Included in Service Kit 556486.

■ Included in Nut Service Kit 678036 - not included in Cylinder Assembly.

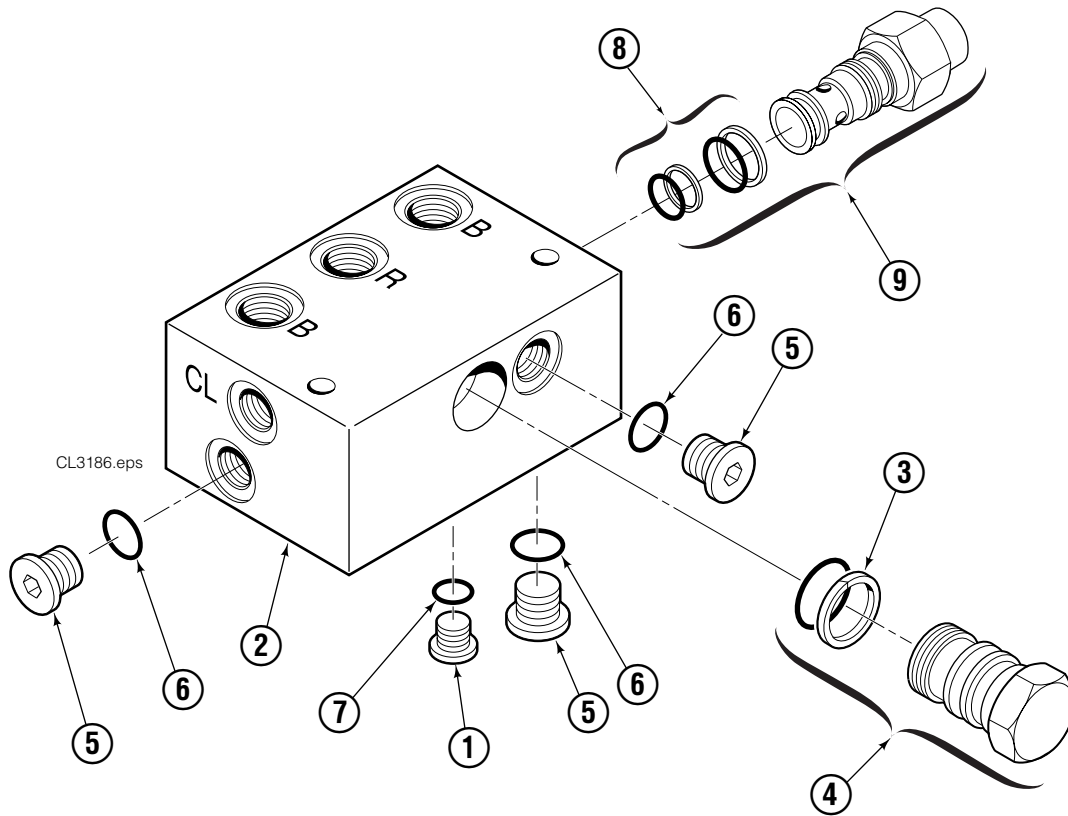
Reference: S-5259, S-5260.

# Restrictor Cartridge



REF	QTY	PART NO.	DESCRIPTION
		667609	Restrictor Cartridge
1	1	2701	O-Ring
2	1	667611	Plunger
3	1	2841	O-Ring
4	1	667610	Plug - Special
5	1	5716	Jam Nut

# Valve Group Non-Sideshift

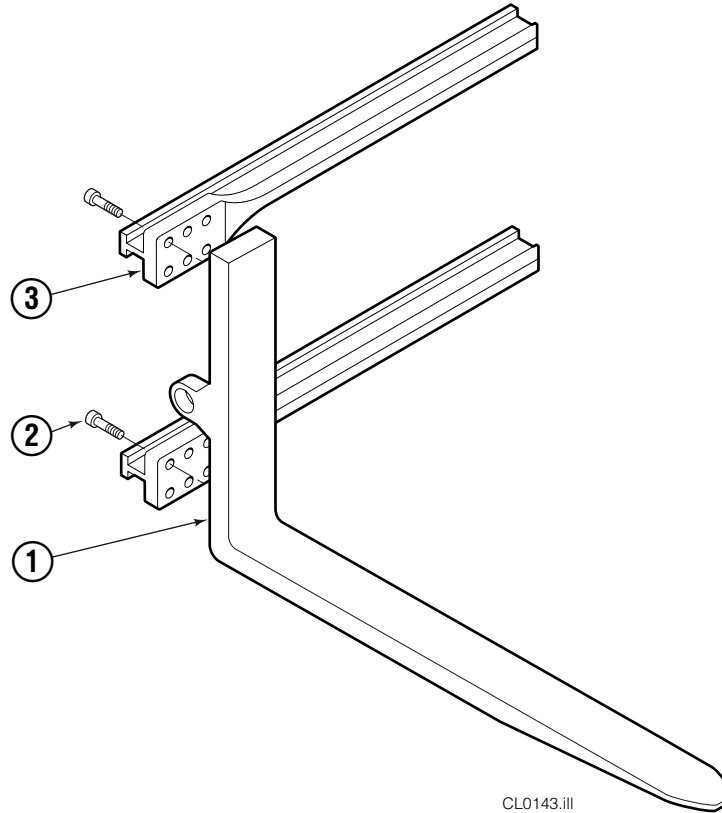


CL3186.eps

REF	QTY	PART NO.	DESCRIPTION
		677733	Valve Assembly
1	1	604510	Fitting, 6
2	1	676118	Valve Body
3	1	656223	▲ Service Kit
4	1	677731	Cavity Plug
5	3	602580	Fitting, 8
6	11	2841	▲ O-Ring
7	1	2840	▲ O-Ring
8	1	661312	▲ Service Kit – Relief Valve
9	1	677730	Relief Valve
		676169	Valve Service Kit

▲ Included in Service Kit 676169.

# Bolt-On Pallet Forks



CL0143.ill

## ARM CAPSCREW EXTENSION TOOL

Required for proper torquing of capscrews



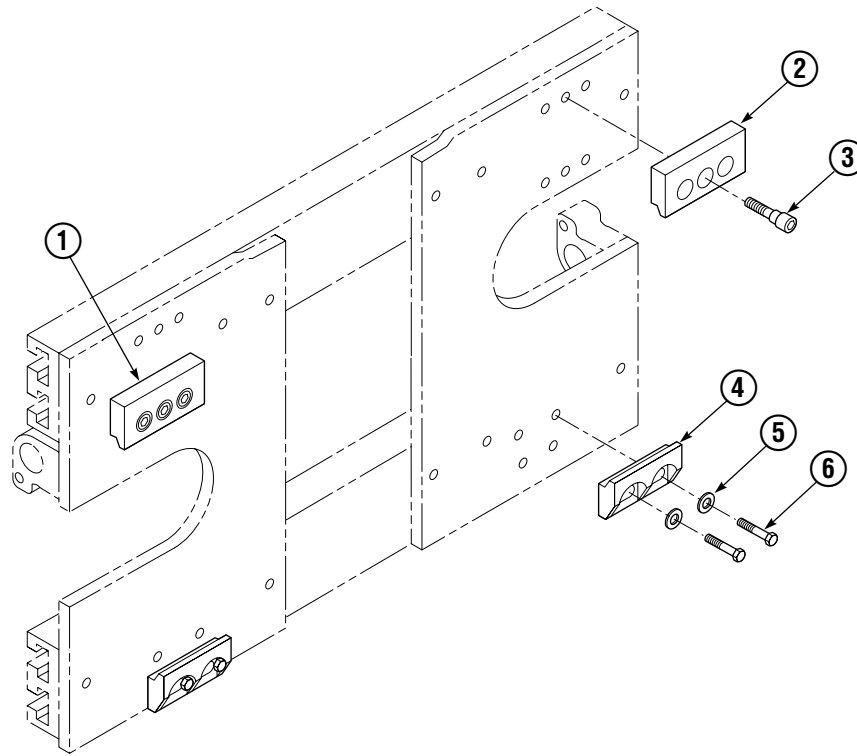
70D

676218

85D			
REF	QTY	PART NO.	DESCRIPTION
		676184	Pallet Fork Assembly ▲
1	1	676192	Pallet Fork – LH
1	1	676196	Pallet Fork – RH
2	24	676840	Capscrew
3	4	676132	Arm Bar

▲ Includes items 1 & 2 only.

# Bolt-On Mounting Group



CL0159.III

## Class III

REF	QTY	PART NO.	DESCRIPTION
		676124	Mounting Group
1	1	676125	Upper Hook - LH
2	1	676126	Upper Hook - RH
3	6	676801	Capscrew, M20 x 50
4	2	675969	Lower Hook
5	4	667225	Washer, 5/8 in. ID
6	5	779009	Capscrew, M16 x 30

## Do you have questions you need answered right now?

Call your nearest Cascade Parts Department.  
Visit us online at [www.cascorp.com](http://www.cascorp.com)

### AMERICAS

**Cascade Corporation  
Parts Sales**  
2501 Sheridan Ave.  
Springfield, OH 45505  
Tel: 888-CASCADE (227-2233)  
Fax: 888-329-0234

**Cascade Canada Inc.**  
5570 Timberlea Blvd.  
Mississauga, Ontario  
Canada L4W-4M6  
Tel: 905-629-7777  
Fax: 905-629-7785

**Cascade do Brasil**  
Rua João Guerra, 134  
Macuco, Santos - SP  
Brasil 11015-130  
Tel: 55-13-2105-8800  
Fax: 55-13-2105-8899

### EUROPE-AFRICA

**Cascade Italia S.R.L.  
European Headquarters**  
Via Dell'Artigianato 1  
37050 Vago di Lavagno (VR)  
Italy  
Tel: 39-045-8989111  
Fax: 39-045-8989160

**Cascade N.V.  
Benelux Sales**  
Damsluisweg 56  
PO Box 3009  
1300 El Almere  
The Netherlands  
Tel: 036-5492950  
Fax: 036-5492974

**Cascade Kenhar Ltd.**  
3 Kelbrook Road  
Parkhouse Ind. Estate  
Openshaw,  
Manchester M11 2DD  
England  
Tel: 0800-243015  
Fax: 0161-4384055

**Sales Scotland  
Macade Systems Ltd.**  
18 Melford Road  
Righead Ind. Estate  
Bellshill ML4 3LR  
Scotland  
Tel: 01698-845777  
Fax: 01698-845888

**Cascade Scandinavia AB**  
Skrittvägen 3  
PO Box 124  
S-56723 Vaggeryd  
Sweden  
Tel: 039-336950  
Fax: 039-336959

**Cascade France  
Cascade MHP**  
ZA de l'Aéropôle  
44150 Ancenis  
France  
Tel: 00-33-(0)2-40-98-98-42  
Fax: 00-33-(0)2-40-98-98-52

**Cascade Hispania S.A.**  
Calle Mogoda, 66-68 Nave 8  
Pol Ind Can Salvatella  
08210 Barberá del Vallés -  
Barcelona, Spain  
Tel: 0034 93 7197530  
Fax: 0034 93 7197351

**Cascade (Africa) Pty. Ltd.**  
PO Box 625, Isando 1600  
60A Steel Road  
Sparton, Kempton Park  
South Africa  
Tel: 27-11-975-9240  
Fax: 27-11-394-1147

**Cascade GmbH**  
Niederwippekuhl 1  
58579 Schalksmühle  
Germany  
Tel: +49 2355 5090 910  
Fax: +49 2355 5090 899

**Cascade Finland**  
A. Petreliuksenkatu 3  
01370 Vantaa  
Finland  
Tel: 09-8361925  
Fax: 09-8361935

**Sales Switzerland  
Fahrzeugbedarf**  
8810, Horgen  
Switzerland  
Tel: 01-7279797  
Fax: 01-7279798

**Sales Poland**  
Targowa 35/61  
03-728 Warszawa  
Tel: 022-619 00 49  
Fax: 022-619 00 49  
Mobile Tel: 0501-27 29 55

**Cargogrip  
Maquinas e Equipamentos  
Industriais, Lda.**  
Rua Jorge Barradas, No 28-B  
1500-371 Lisboa  
Portugal  
Tel: 351-21-762-8010  
Fax: 351-21-760-4803

**Turkey**  
Mr. Cenk Alpaslan  
Mobile: +90-5332213251  
Fax: +90-2165742291  
**Middle East**  
Henk Huisman  
Mobile: +31 (0)36 54 92902  
Fax: +31 (0)6 5384 0090

**Sales Russia**  
Ul. Petrovka 27  
107031 Moscow  
Russian Federation  
Mobile: +7 903 124 90 40

**Hungary**  
Horoszcoop Foreign Trading  
Representation Ltd.  
Mobile: +36-1 2971025  
Fax: +36-1 29710223

### ASIA-PACIFIC

**Cascade Japan Ltd.**  
2-23, 2-Chome,  
Kukuchi Nishimachi  
Amagasaki, Hyogo  
Japan, 661-0978  
Tel: 81-6-6420-9771  
Fax: 81-6-6420-9777

**Cascade Korea**  
121B 9L Namdong Ind.  
Complex, 691-8 Gojan-Dong  
Namdong-Ku  
Inchon, Korea  
Tel: +82-32-821-2051  
Fax: +82-32-821-2055

**Cascade-Xiamen**  
No. 668 Yangguang Rd.  
Xinyang Industrial Zone  
Haicang, Xiamen City  
Fujian Province  
P.R. China 361026  
Tel: 86-592-651-2500  
Fax: 86-592-651-2571

**Cascade India Material  
Handling Private Limited**  
No 34, Global Trade Centre  
1/1 Rambaugh Colony  
Lal Bahadur Shastri Road,  
Navi Peth, Pune 411 030  
(Maharashtra) India  
Phone: +91 020 2432 5490  
Fax: +91 020 2433 0881

**Cascade Australia Pty. Ltd.**  
1445 Ipswich Road  
Rocklea, QLD 4107  
Australia  
Tel: 1-800-227-223  
Fax: +61 7 3373-7333

**Cascade New Zealand**  
15 Ra Ora Drive  
East Tamaki, Auckland  
New Zealand  
Tel: +64-9-273-9136  
Fax: +64-9-273-9137

**Sunstream Industries  
Pte. Ltd.**  
18 Tuas South Street 5  
Singapore 637796  
Tel: +65-6795-7555  
Fax: +65-6863-1368

