



# Parts Manual

---

Model \_\_\_\_\_ Fork Positioner

Catalog Number \_\_\_\_\_ 120K-FPS-C123 R1

---

**cascade**®  
**corporation**

**For Technical Assistance call:** 800-227-2233, Fax: 888-329-8207

**To Order Parts call:** 888-227-2233, Fax: 888-329-0234

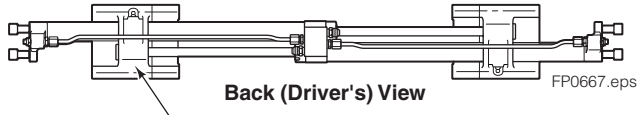
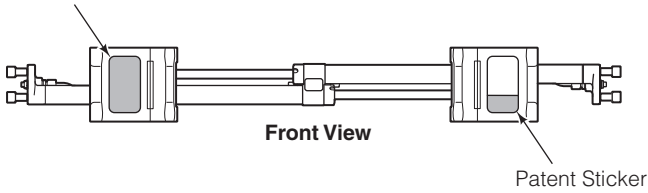
**OR**

**Write:** Cascade Corporation, P.O. Box 20187, Portland, OR 97220

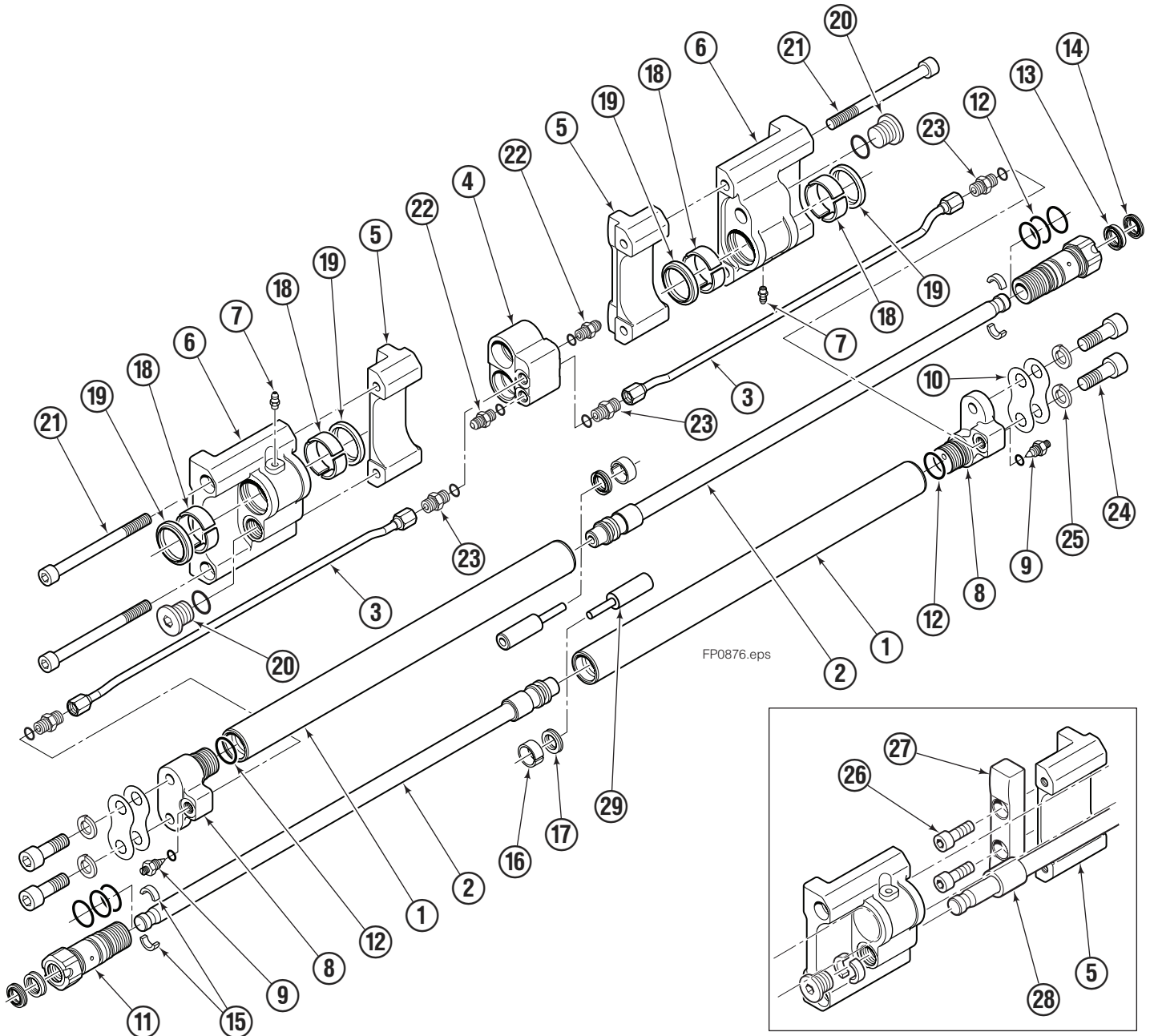
**Internet:** [www.cascorp.com](http://www.cascorp.com)

# Fork Positioner Assembly

Sticker showing operating pressure, phone numbers for service & parts.



Assembly part number (on LH fork carrier).



# Fork Positioner Assembly

## Items that vary by width

| 120K/150K         |   |                                       |                             |
|-------------------|---|---------------------------------------|-----------------------------|
| ASSEMBLY PART NO. | REF. NO. 1 ★<br>CYLINDER SHELL<br>QTY 2 | REF. NO. 2 ★<br>CYLINDER ROD<br>QTY 2 | REF. NO. 3<br>TUBE<br>QTY 2 |
| 6804700           | 6804695                                 | 6804698                               | 6804699                     |

| REF | QTY | PART NO. | DESCRIPTION                                |
|-----|-----|----------|--|
|     |     | 6069312  | Common Parts Group                         |
| 4   | 1   | 6059224  | Manifold                                   |
| 5   | 2   | 6059395  | ◆ Fork Carrier, Inner, 122/150/180 mm Fork |
| 6   | 2   | 6059301  | Fork Carrier, Outer                        |
| 7   | 2   | 424115   | Grease Fitting                             |
| 8   | 2   | 6059267  | Cylinder Head End                          |
| 9   | 2   | 6042658  | Restrictor Fitting                         |
| 10  | 4   | 6059383  | Shim                                       |
| 11  | 2   | 6059219  | Cylinder Retainer                          |
| 12  | 8   | 6059580  | O-Ring, Retainer OD ✘                      |
| 13  | 2   | 562132   | Rod Seal, Retainer ✘                       |
| 14  | 2   | 562131   | Rod Wiper, Retainer ✘                      |
| 15  | 4   | 6059382  | Half-Ring Keeper                           |
| 16  | 2   | 6059421  | Piston Wear Ring ✘                         |
| 17  | 2   | 6059422  | Piston Seal ✘                              |
| 18  | 4   | 6059419  | Bearing, Composite                         |
| 19  | 4   | 6059584  | Wiper                                      |
| 20  | 2   | 6059459  | Rod Retainer Plug                          |
| 21  | 4   | 6405531  | Capscrew, M12 x 160                        |
| 22  | 2   | 6043332  | Fitting, M10 to No.4 JIC ●                 |
| 23  | 4   | 6042689  | Fitting, M10 to EO-2 Tube                  |
| 24  | 4   | 769577   | Capscrew, M16 x 50 ■                       |
| 25  | 4   | 678992   | Lockwasher, M16 ■                          |
| 26  | 4   | 767615   | ◆ Capscrew, M10 x 25                       |
| 27  | 2   | 6059397  | ◆ Spacer Bar                               |
| 28  | 2   | —        | Rod Spacer                                 |
| 29  | 2   | 8100527  | Piston Spacer                              |

★ If cylinder shell or rod needs replacing due to bending damage, order complete Fork Positioner Assembly.

◆ Included in Fork Carrier Assembly 6059395.

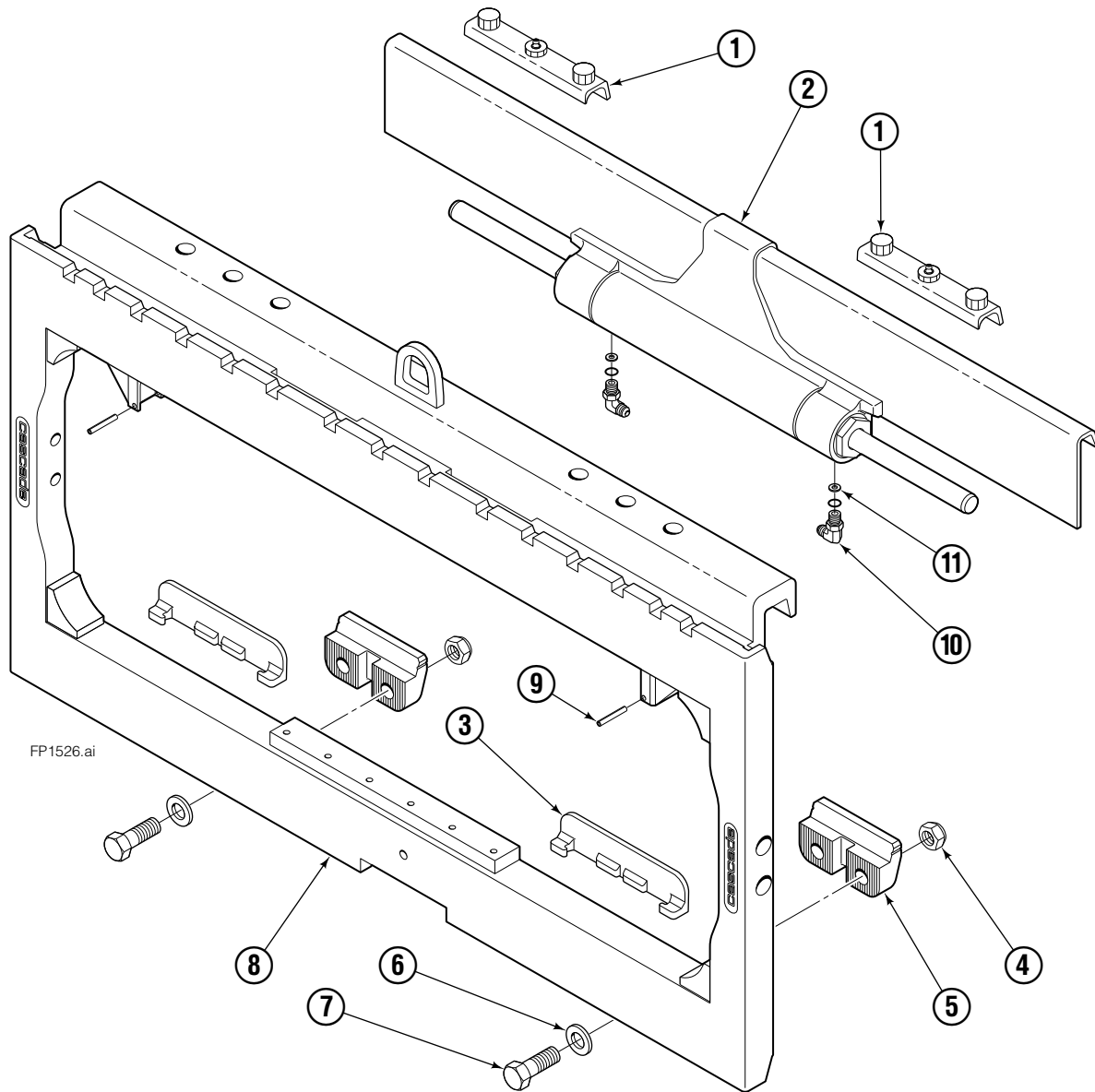
✘ Included in Cylinder Service Kit 6081752.

● Included in Fitting Group 6045440.

■ Included in Mounting Kit 6059460.

Reference: SK-8919.1

# Sideshift Assembly



| 120K |     |          |               |     |     |          |                      |
|------|-----|----------|---------------|-----|-----|----------|----------------------|
| REF  | QTY | PART NO. | DESCRIPTION   | REF | QTY | PART NO. | DESCRIPTION          |
| 1    | 2   | 6079936  | Upper Bearing | 7   | 4   | 768580   | ◆ Capscrew, M20 x 60 |
| 2    | 1   | 6802912  | Cylinder ▲    | 8   | 1   | 6804858  | Frame                |
| 3    | 2   | 6057162  | Lower Bearing | 9   | 2   | 7916     | Roll Pin             |
| 4    | 4   | 783800   | ◆ Nut, M20    | 10  | 2   | 607616   | ■ Fitting, 6-6       |
| 5    | 2   | 6083157  | ◆ Lower Hook  | 11  | 2   | 221733   | ▼ Restrictor Washer  |
| 6    | 4   | 215419   | ◆ Washer, M20 |     |     |          |                      |

▲ See Cylinder page for parts breakdown.  
 ◆ Included in Lower Hook Group 6801428.

■ Included in Fitting Group 204179.  
 ▼ Included in Restrictor Group 221732.

Reference: Common Parts 6801215, S-23796 – Type 2.

# Cylinder Assembly



| REF | QTY | PART NO. | DESCRIPTION          |
|-----|-----|----------|----------------------|
| 1   | 1   | 6802912  | Cylinder Assembly    |
| 2   | 2   | 564406   | ● Rod Seal           |
| 3   | 2   | 609241   | O-Ring               |
| 4   | 2   | 564408   | ● Rod Wiper Seal     |
| 5   | 2   | 6056530  | Retainer             |
| 6   | -   | ■        | Rod/Piston Assembly  |
| 7   | -   | ■        | Cylinder Shell       |
|     |     | 564409   | Rod Seal Service Kit |

● Included in Service Kit 564409.

■ Not serviceable – order new Cylinder Assembly.

Reference: S-23995.

# Recommended Spare Parts

| 120K/150K Fork Positioner/Sideshifter |                               |                |      |       |
|---------------------------------------|-------------------------------|----------------|------|-------|
| PART NUMBER                           | DESCRIPTION                   | UNITS SERVICED |      |       |
|                                       |                               | 1-5            | 6-19 | 20-50 |
|                                       | <b>FORK POSITIONER</b>        |                |      |       |
| 6081752                               | Cylinder Internal Service Kit | 0              | 4    | 8     |
| 6081751                               | Composite Bearing Service Kit | 1              | 2    | 4     |
| 6081749                               | Bronze Bearing Service Kit    | 1              | 2    | 4     |
| 6059383                               | Mounting Shims                | 4              | 6    | 8     |
|                                       | <b>SIDESHIFTER</b>            |                |      |       |
| ■                                     | Upper Bearing                 | 8              | 16   | 32    |
| ■                                     | Lower Bearing                 | 6              | 12   | 24    |
| ■                                     | Lower Hook                    | 0              | 2    | 4     |
| ■                                     | Capscrew                      | 0              | 4    | 8     |
| ■                                     | Nut                           | 0              | 4    | 8     |
| 215419                                | Washer                        | 0              | 4    | 8     |
| ■                                     | Cylinder Assembly             | 0              | 0    | 1     |
| 564409                                | Cylinder Rod Service Kit      | 1              | 2    | 4     |

■ See specific parts page.

# Publications



| K-Series |   |
|----------|---|
| PART NO. | DESCRIPTION   |
| 6045671  | User Manual (Operator's Guide, Installation, Periodic Maintenance, Parts) |
| 6053927  | Service Manual  |
| 679929   | Tool Catalog  |
| 673964   | Literature Index Order Form   |



**Do you have questions you need answered right now?** Call your nearest Cascade Parts Department. Visit us online at [www.cascorp.com](http://www.cascorp.com)

**Cascade Corporation  
U.S. Headquarters**  
2201 NE 201st  
Fairview, OR 97024-9718  
Tel: 800-CASCADE (227-2233)  
FAX: 888-329-8207

**Cascade Canada Inc.**  
5570 Timberlea Blvd.  
Mississauga, Ontario  
Canada L4W-4M6  
Tel: 905-629-7777  
FAX: 905-629-7785

**Cascade GmbH**  
Niederwippekühl 1  
58579 Schalksmühle  
Germany  
Tel: 02355-50900  
FAX: 02355-509020

**Cascade Finland**  
A. Petreliuksenkatu 3  
01370 Vantaa  
Finland  
Tel: 09-8361925  
FAX: 09-8361935

**Cascade Italia S.R.L.  
European Headquarters**  
Via Dell'Artigianato 1  
37030 Vago di Lavagno (VR)  
Italy  
Tel: 39-045-8989111  
FAX: 39-045-8989160

**Cascade N.V.  
Benelux Sales**  
Damsluisweg 56  
PO Box 3009  
1300 El Almere  
The Netherlands  
Tel: 036-5492950  
FAX: 036-5492974

**Cascade Kenhar Ltd.**  
3 Kelbrook Road  
Parkhouse Ind. Estate  
Openshaw,  
Manchester M11 2DD  
England  
Tel: 0800-243015  
FAX: 0161-4384055

**Sales Scotland  
Macade Systems Ltd.**  
18 Melford Road  
Righead Ind. Estate  
Bellshill ML4 3LR  
Scotland  
Tel: 01698-845777  
FAX: 01698-845888

**Cascade Scandinavia AB**  
Hammarvägen 10  
PO Box 124  
S-56723 Vaggeryd  
Sweden  
Tel: 039-336950  
FAX: 039-336959

**Cascade France  
S.A.R.L. MHP**  
1D Rue De Charaintru BP 18,  
91360 Epinay-Sur-Orge  
France  
Tel: 01-6454-7500  
FAX: 01-6454-7501

**Cascade Hispania S.A.**  
Calle Mogoda, 66-68 Nave 8  
Pol Ind Can Salvatella  
08210 Barberá del Vallés -  
Barcelona, Spain  
Tel: +34 93719 7530  
Fax: +34 93719 75 31

**Cascade (Africa) Pty. Ltd.**  
PO Box 625, Isando 1600  
60A Steel Road  
Sparton, Kempton Park  
South Africa  
Tel: 27-11-975-9240  
FAX: 27-11-394-1147

**Movimenta Lda.**  
Parque Industrial  
Vale do Alecrim, Lote 108  
2950-403 Palmela  
Portugal  
Tel: 351-212387340  
FAX: 351-212387349

**Sales Switzerland  
Fahrzeugbedarf**  
8810, Horgen  
Switzerland  
Tel: 01-7279797  
FAX: 01-7279798

**Sales Poland**  
Targowa 35/61  
03-728 Warszawa  
Tel: 022-619 00 49  
FAX: 022-619 00 49  
Mobile Tel: 0501-27 29 55

**Sales Russia**  
EMCG Material Handling  
Equipment  
Moscow  
Tel: 095-795-2400  
FAX: 095-795-2475  
Email: [emcg@emcg.ru](mailto:emcg@emcg.ru)

**Cascade Japan Ltd.**  
2-23, 2-Chome,  
Kukuchi Nishimachi  
Amagasaki, Hyogo  
Japan, 661-0978  
Tel: 81-6-6420-9771  
FAX: 81-6-6420-9777

**Cascade Korea**  
121B 9L Namdong Ind.  
Complex, 691-8 Gojan-Dong  
Namdong-Ku  
Inchon, 405-310 Korea  
Tel: 82-32-821-2051  
FAX: 82-32-821-2055

**Cascade Australia**  
1445 Ipswich Road  
Rocklea, QLD 4107  
Australia  
Tel: 1-800-227-223  
FAX: 617-3373-7333

**Cascade New Zealand**  
15 Ra Ora Drive  
East Tamaki, Auckland  
New Zealand  
Tel: 64-9-273-9136  
FAX: 64-9-273-9137

**Cascade-Xiamen**  
No. 668 Yangguang Rd.  
Xinyang Industrial Zone  
Haicang, Xiamen City  
Fujian Province  
P.R. China 361026  
Tel: 86-592-651-2500  
FAX: 86-592-651-2571

**Sunstream Industries  
Pte Ltd.**  
No. 3 Tuas Link 1  
2263  
Singapore  
Tel: 65-6863-3488  
FAX: 65-6863-1368

**Cascade do Brasil  
LTDA**  
Rua João Guerra, 134  
Macuco, Santos - SP  
Brasil 11015-130  
Tel: 55-13-2105-8800  
Fax: 55-13-2105-8899

**Cascade India Material  
Handling Private Limited**  
No 9, Global Trade Centre  
1/1 Rambaugh Colony  
Lal Bahadur Shastri Road,  
Navi Peth, Pune 411 030  
(Maharashtra) India  
Phone: 020 2433 5460/5490  
Fax: 020 2433 0881

